



US00D924724S

(12) **United States Design Patent** (10) **Patent No.:** **US D924,724 S**
Li (45) **Date of Patent:** **** Jul. 13, 2021**

(54) **PLANTER**
(71) Applicant: **Qijun Li**, Shenzhen (CN)
(72) Inventor: **Qijun Li**, Shenzhen (CN)
(**) Term: **15 Years**
(21) Appl. No.: **29/780,543**
(22) Filed: **Apr. 26, 2021**
(51) **LOC (13) Cl.** **11-02**
(52) **U.S. Cl.**
USPC **D11/155**
(58) **Field of Classification Search**
USPC D11/143–156, 164
CPC A01G 9/02; A01G 9/029; A01G 9/0293;
A01G 2009/003; A01G 13/0243; A01G
13/04
See application file for complete search history.

9,528,694 B2 * 12/2016 Lin A01G 27/003
D778,204 S 2/2017 Thuma et al.
D792,808 S * 7/2017 Verneuil D11/144
D801,213 S * 10/2017 Kim D11/155
D840,076 S * 2/2019 Hart D26/55
D864,016 S * 10/2019 Woltz D11/143
D885,969 S * 6/2020 Zhang D11/155
D888,602 S * 6/2020 Kadosh D11/144
D888,603 S * 6/2020 Tong D11/144
10,757,875 B2 * 9/2020 Loiske A01G 31/02
D899,299 S * 10/2020 Craig D11/155
2007/0271841 A1 * 11/2007 Bissonnette A01G 31/02
47/61
2009/0151248 A1 * 6/2009 Bissonnette A01G 31/02
47/59 S
2010/0031566 A1 * 2/2010 Azoulay G07F 11/00
47/61
2021/0068358 A1 * 3/2021 Im G06K 9/00664

* cited by examiner

Primary Examiner — Elizabeth A. Albert

(56) **References Cited**

U.S. PATENT DOCUMENTS

3,142,133 A * 7/1964 Brooks A01G 9/0295
47/73
D245,407 S * 8/1977 Ware D11/144
4,236,353 A * 12/1980 Sorenson A01G 27/04
47/39
D416,102 S * 11/1999 Schulman D11/144
D586,688 S * 2/2009 Bromley D11/144
D604,196 S * 11/2009 Bissonnette D11/144
D653,583 S 2/2012 Wittenberg et al.
8,261,486 B2 * 9/2012 Bissonnette A01G 27/003
47/59 R
D713,284 S * 9/2014 Prinster A01G 31/02
D11/143
D729,115 S * 5/2015 Prinster D11/144
D760,118 S * 6/2016 Lepp D11/142
D767,638 S * 9/2016 Kuge D15/10
D771,520 S * 11/2016 Bryan, III D11/155

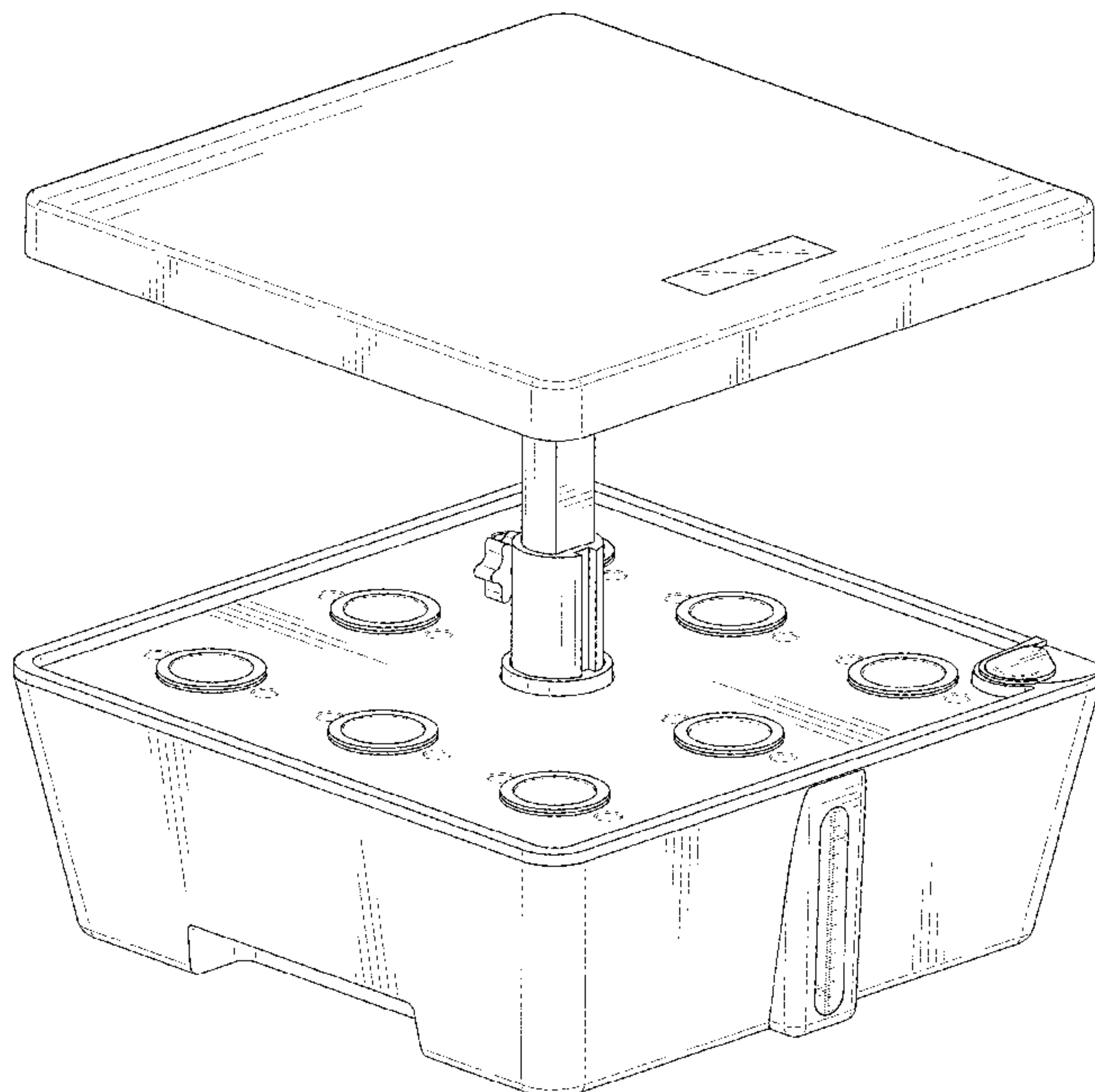
(57) **CLAIM**

The ornamental design for a planter, as shown and described.

DESCRIPTION

FIG. 1 is a perspective view of a planter showing my new design;
FIG. 2 is another perspective view thereof;
FIG. 3 is a front elevational view thereof;
FIG. 4 is a rear elevational view thereof;
FIG. 5 is a left side elevational view thereof;
FIG. 6 is a right side elevational view thereof;
FIG. 7 is a top plan view thereof; and,
FIG. 8 is a bottom plan view thereof.
The broken lines in the drawings depict portions of the planter that form no part of the claimed design.

1 Claim, 8 Drawing Sheets



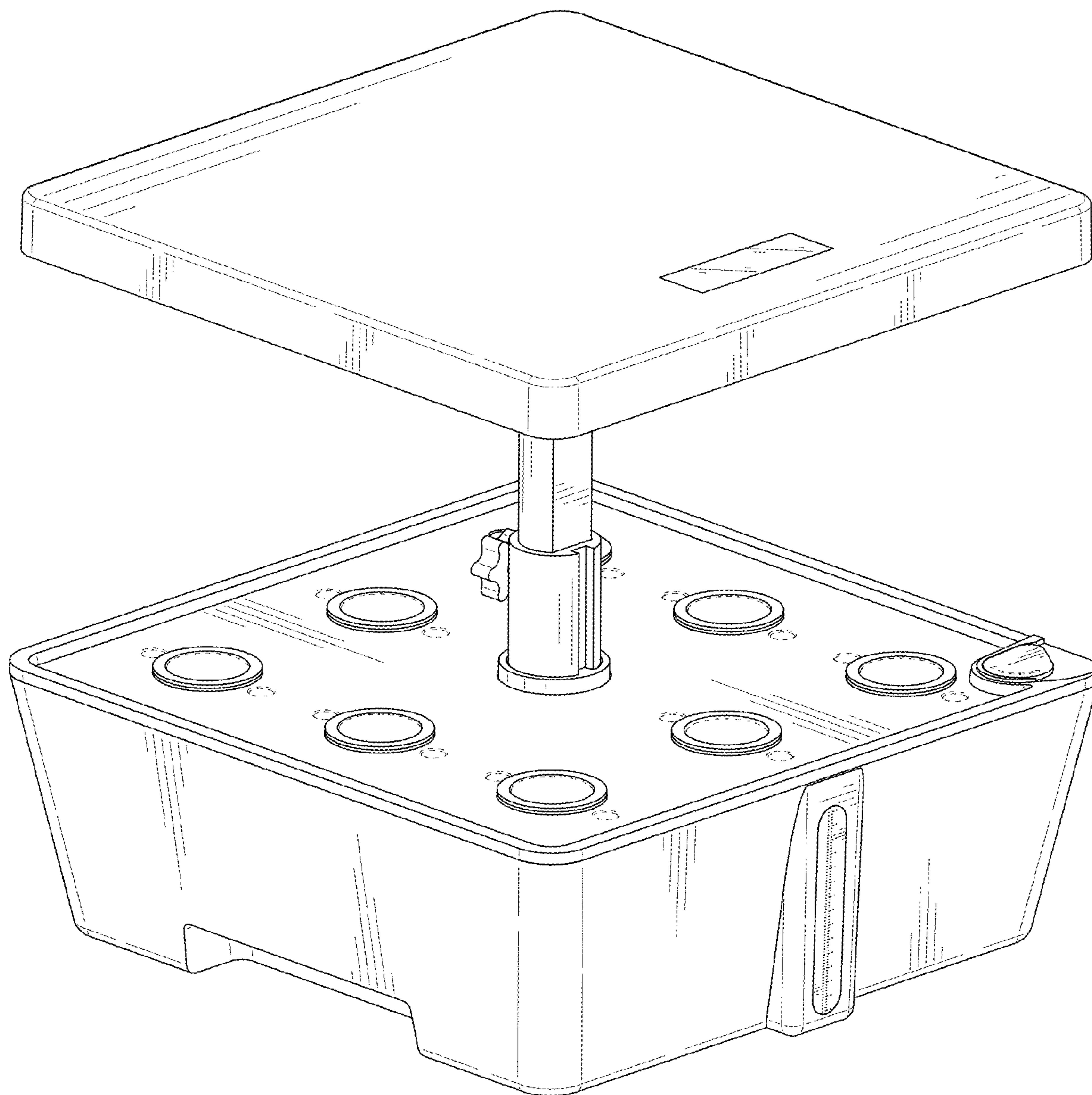


FIG. 1

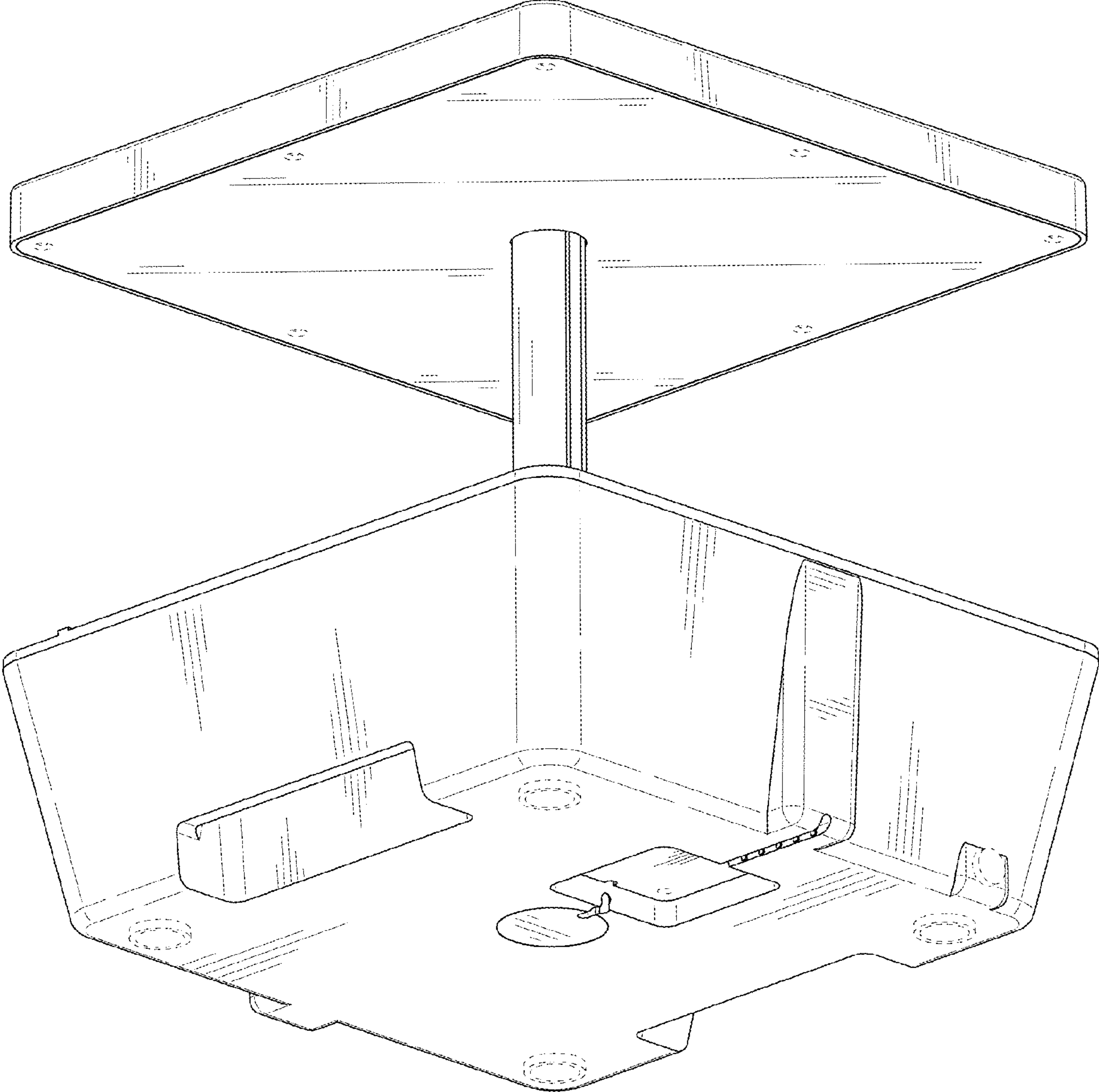


FIG. 2

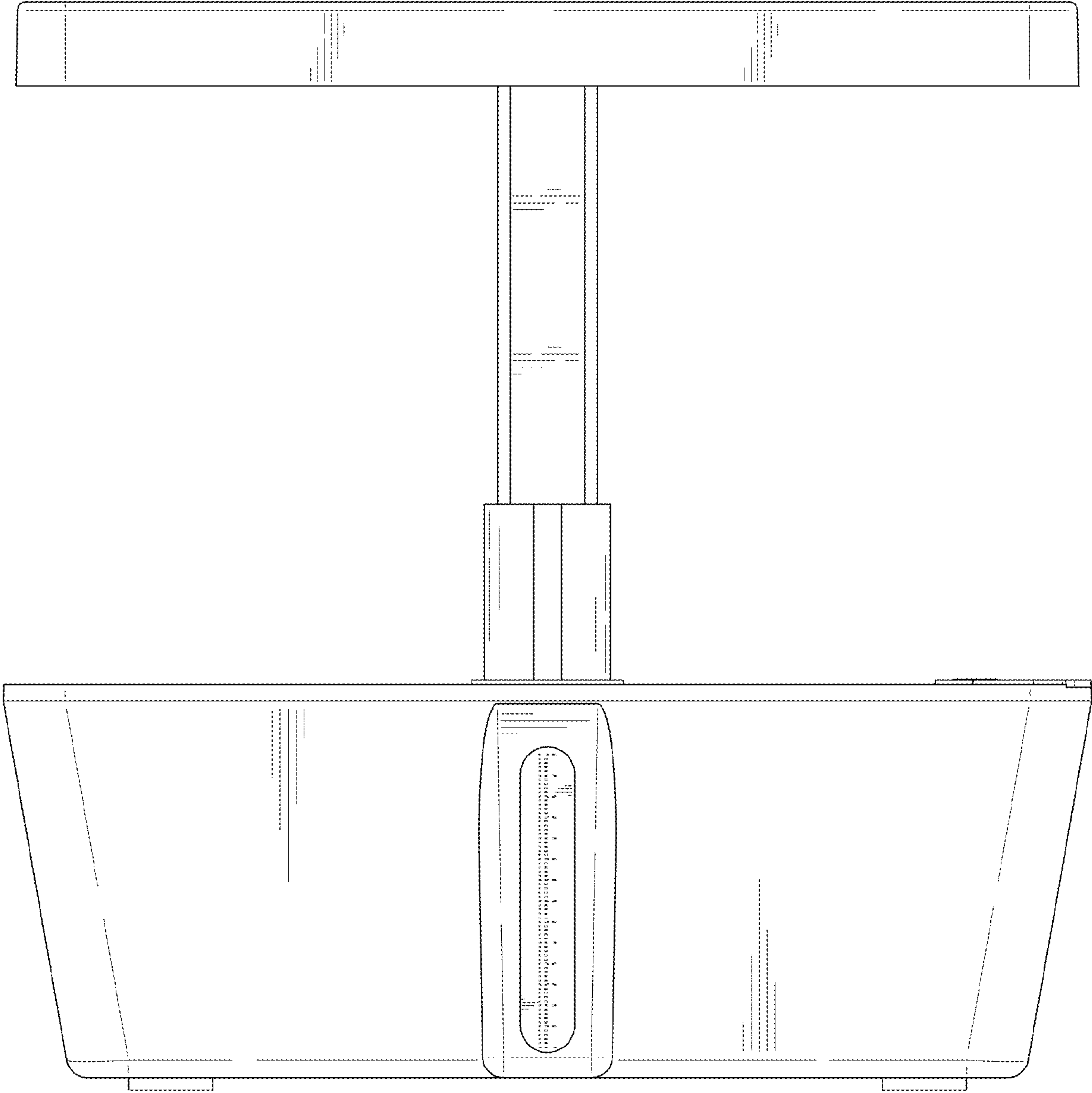


FIG. 3

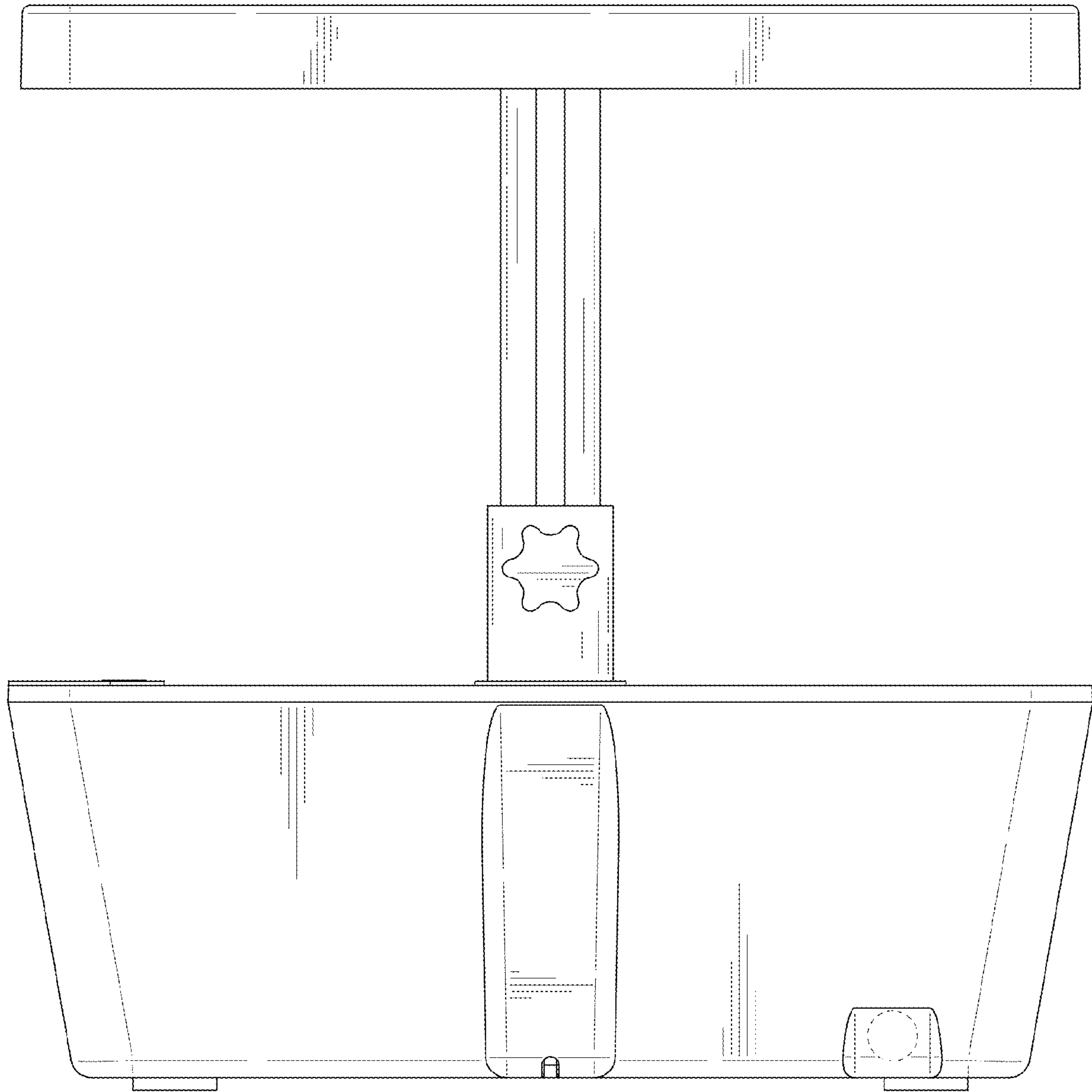


FIG. 4

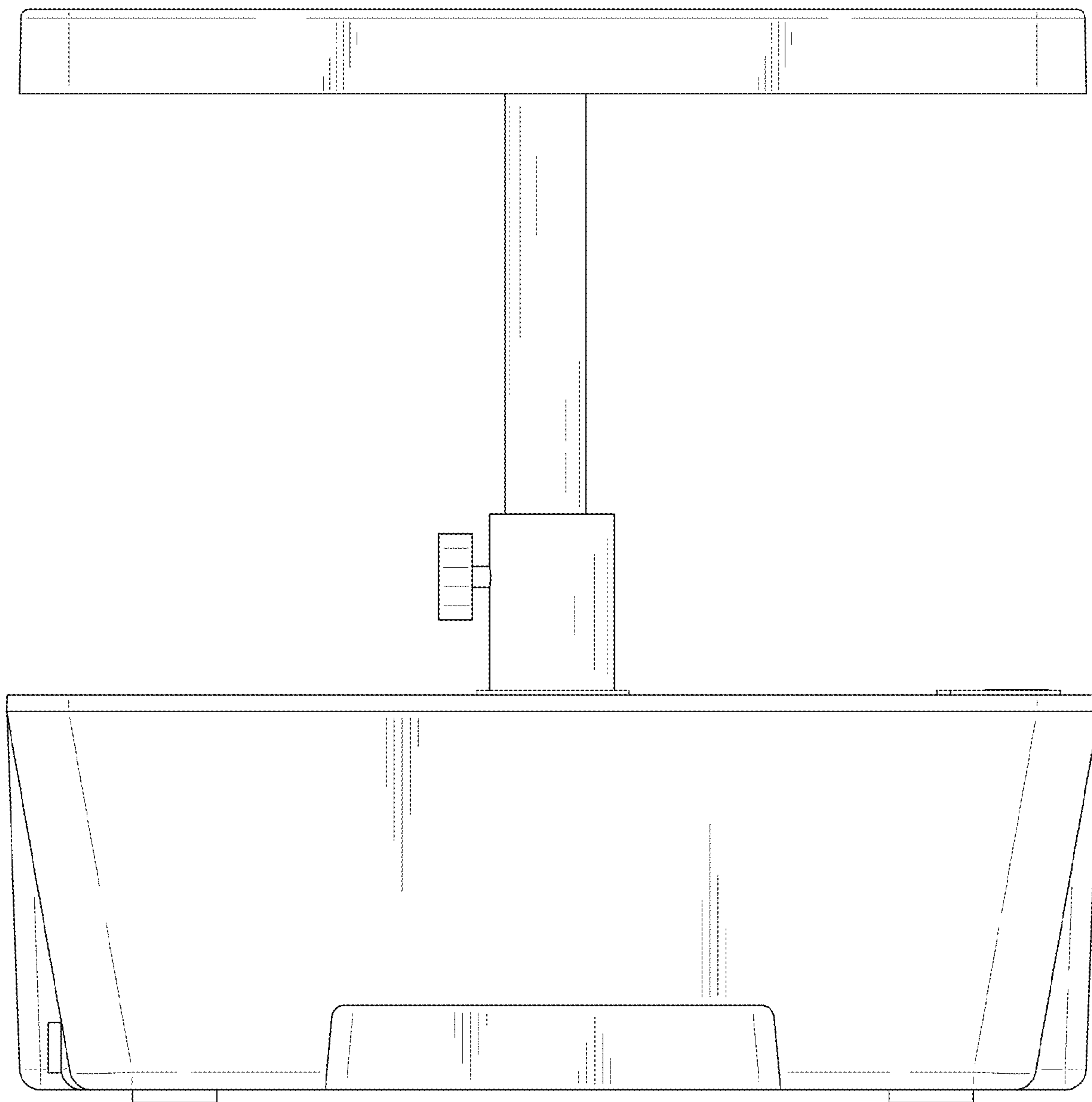


FIG. 5

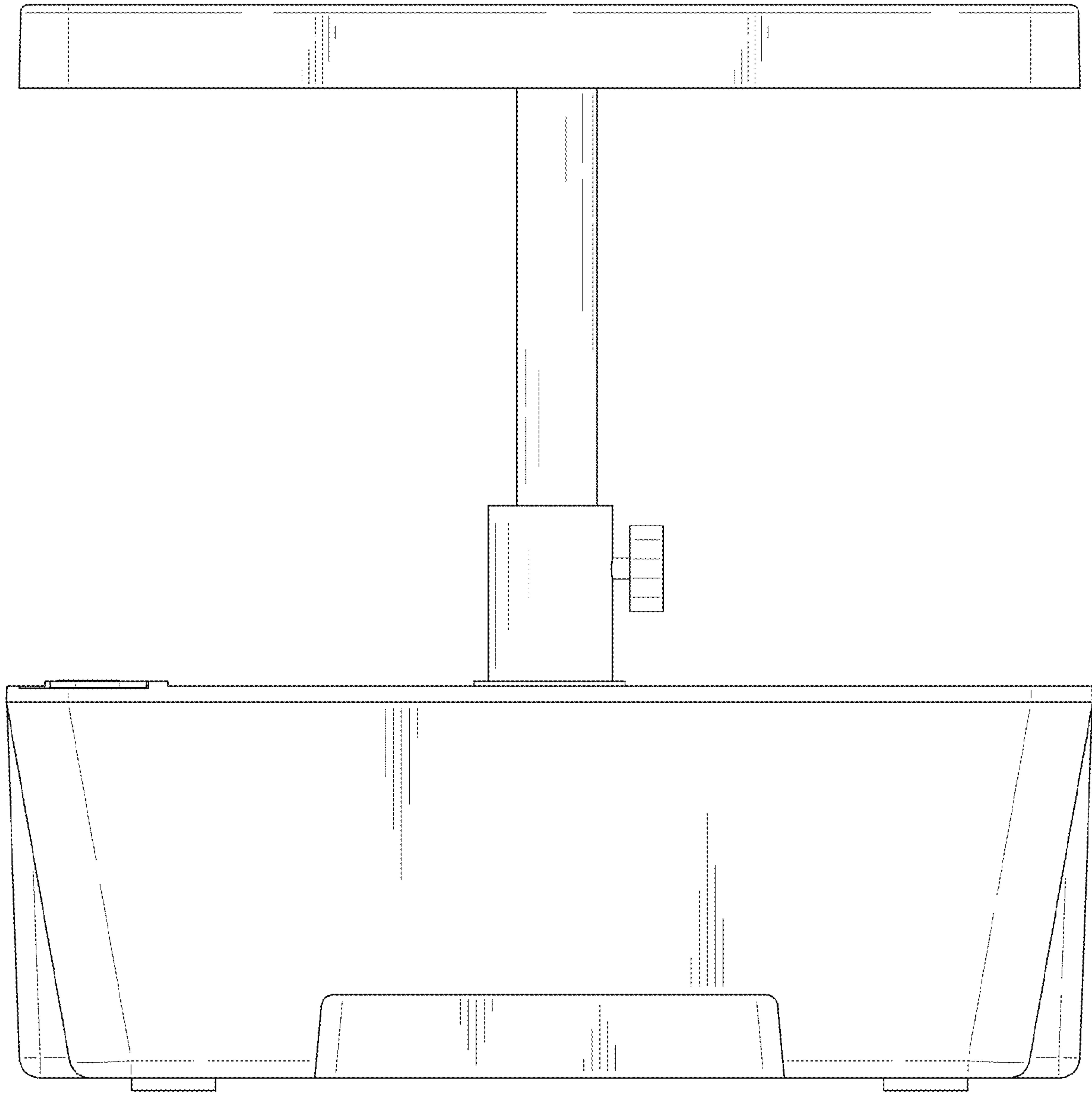


FIG. 6

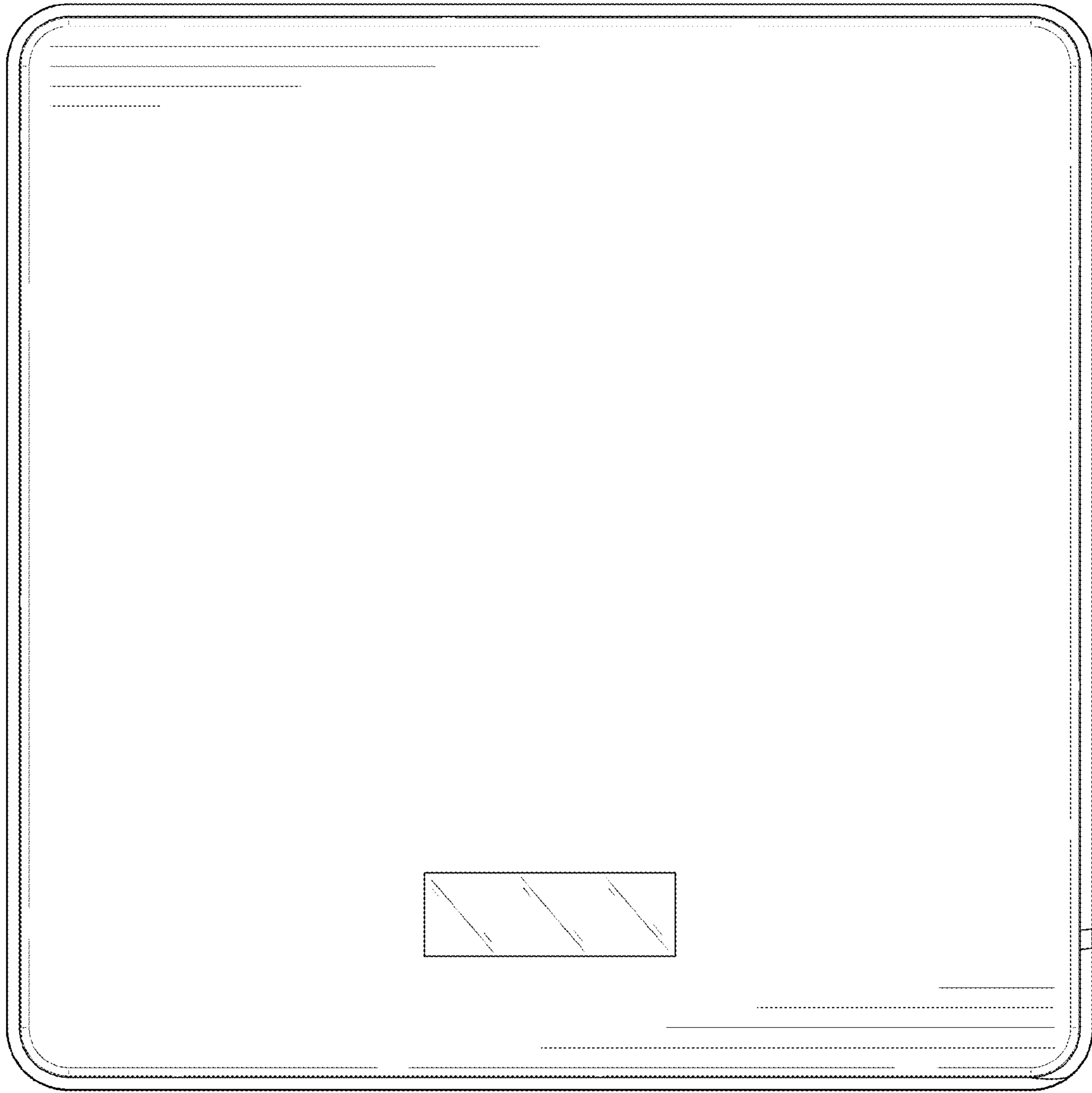


FIG. 7

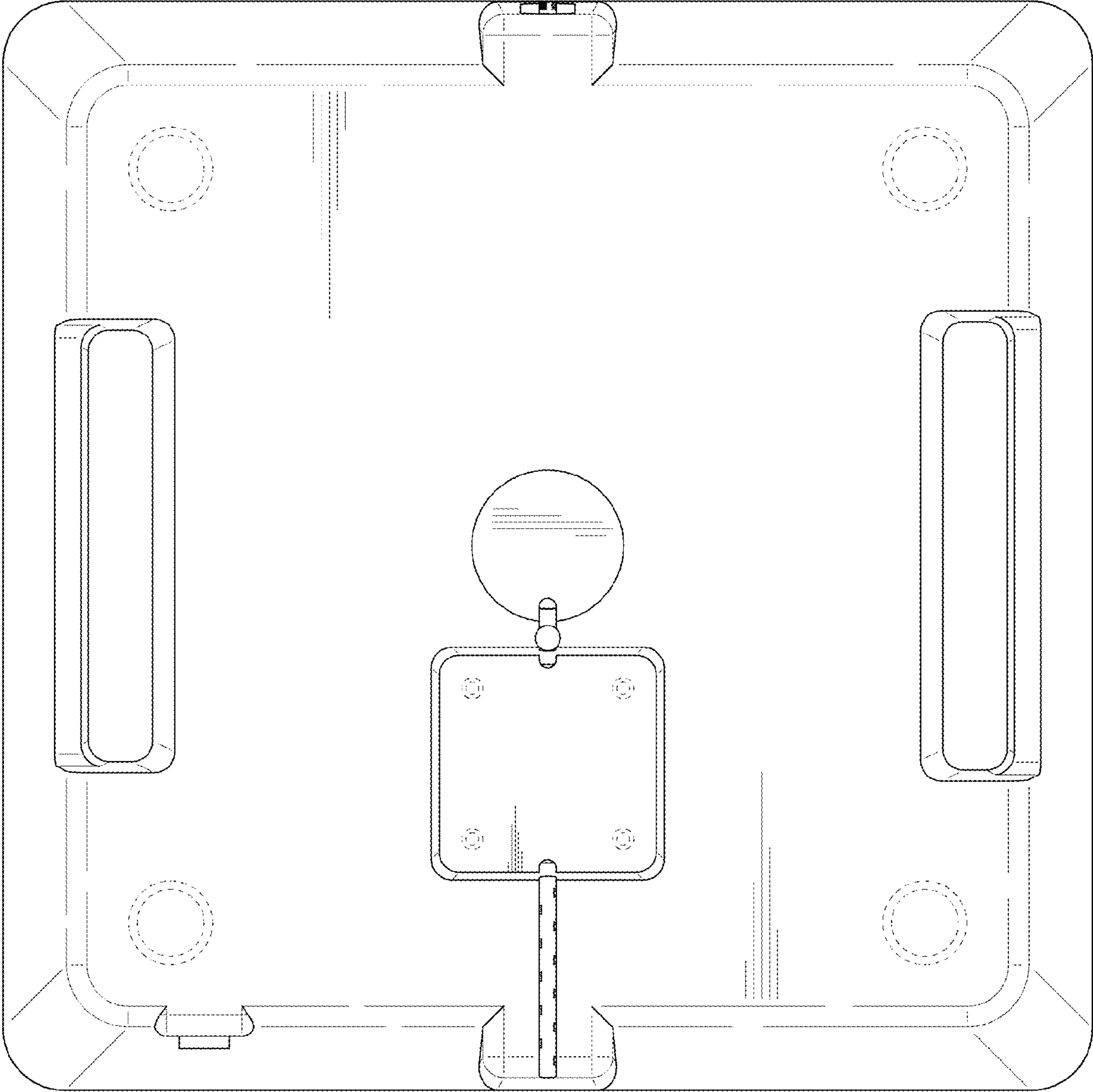


FIG. 8