



US00D924722S

(12) **United States Design Patent**
Deng

(10) **Patent No.:** **US D924,722 S**
(45) **Date of Patent:** **** Jul. 13, 2021**

- (54) **HANGING DECORATION**
- (71) Applicant: **GuoXing Deng**, Guangdong (CN)
- (72) Inventor: **GuoXing Deng**, Guangdong (CN)
- (73) Assignee: **Dongguan XingZhan Electronic Technology Co., Ltd.**, Dongguan (CN)
- (**) Term: **15 Years**
- (21) Appl. No.: **29/772,446**
- (22) Filed: **Mar. 2, 2021**
- (51) **LOC (13) Cl.** **11-02**
- (52) **U.S. Cl.**
USPC **D11/141; D3/207; D21/468**
- (58) **Field of Classification Search**
USPC D11/7, 43, 44, 48, 74, 79–81, 97, 99,
D11/131, 133, 141, 157, 162, 184;
D21/468, 684; D3/207, 208, 211;
D24/133, 142; D19/60; D1/127;
D30/160
CPC A63H 33/00; A63H 33/002; A63B 23/16
See application file for complete search history.

(56) **References Cited**

U.S. PATENT DOCUMENTS

| | | | | |
|----------------|---------|-------------|-------|-----------------------|
| D306,215 S * | 2/1990 | Bell | | D11/74 |
| D334,807 S * | 4/1993 | Nowak | | D1/111 |
| 6,228,001 B1 * | 5/2001 | Johnson | | A63B 21/028 482/44 |
| D522,234 S * | 6/2006 | Murphy | | D3/209 |
| D633,627 S * | 3/2011 | Kambic | | D24/215 |
| D712,050 S * | 8/2014 | Blachford | | D24/194 |
| D780,436 S * | 3/2017 | Fraser | | D3/207 |
| D821,254 S * | 6/2018 | McKean | | D11/80 |
| D851,481 S | 6/2019 | Blom | | |
| D892,493 S * | 8/2020 | Carson | | D3/207 |
| D893,984 S | 8/2020 | Rateliff | | |
| D894,410 S * | 8/2020 | McCoy | | D24/195 |
| D903,777 S * | 12/2020 | Carson | | D21/468 |
| D907,786 S * | 1/2021 | Khersonenko | | D24/195 |

| | | | | |
|--------------|--------|-----------|-------|-----------|
| D908,810 S * | 1/2021 | Carson | | D21/468 |
| D911,214 S | 2/2021 | Liu | | |
| D913,134 S * | 3/2021 | Atteberry | | D10/106.1 |

FOREIGN PATENT DOCUMENTS

| | | | |
|----|----------------|---|--------|
| EM | 008446041-0001 | * | 3/2021 |
| EM | 008448104-0001 | * | 3/2021 |

OTHER PUBLICATIONS

Key Chain Ring White Body Candy, available Apr. 28, 2021, [online], [site visited Apr. 28, 2021]. Available from internet, URL: <https://wizzon.com/product/key-chain-ring-white-body-candy-single-round-buttons-push-pop-bubble-pop-it-simple-dimple-fidget-toy-blue-with-embossed-logo/> (Year: 2021).*

7 Sensory Stress Bubble Push Pop Pendant, available Apr. 28, 2021, [online], [site visited Apr. 28, 2021]. Available from internet, URL: <https://www.dhgate.com/product/7-sensory-stress-bubble-push-pop-music-finger/679130678.html?f=bm%7cGMC%7cpla%7c10936259999%7c108807308778%7c679130678%7cpla>—(Year: 2021).*

* cited by examiner

Primary Examiner — W. A. Teddy Falloway

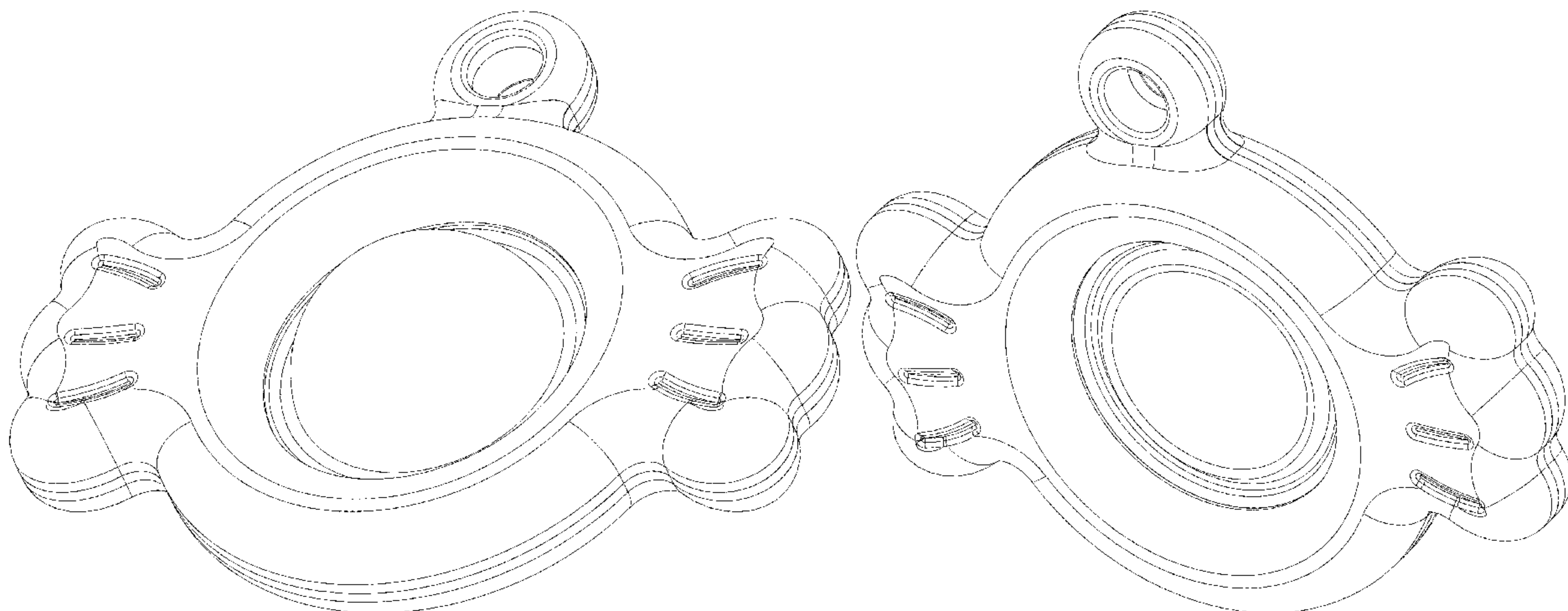
(57) **CLAIM**

The ornamental design for a hanging decoration, as shown and described.

DESCRIPTION

FIG. 1 is a bottom, front, right side perspective view of a hanging decoration showing my new design;
 FIG. 2 is a top, rear, left side perspective view thereof;
 FIG. 3 is a front elevation view thereof;
 FIG. 4 is a rear elevation view thereof;
 FIG. 5 is an enlarged left side elevation view thereof;
 FIG. 6 is an enlarged right side elevation view thereof;
 FIG. 7 is an enlarged top plan view thereof; and,
 FIG. 8 is an enlarged bottom plan view thereof.

1 Claim, 6 Drawing Sheets



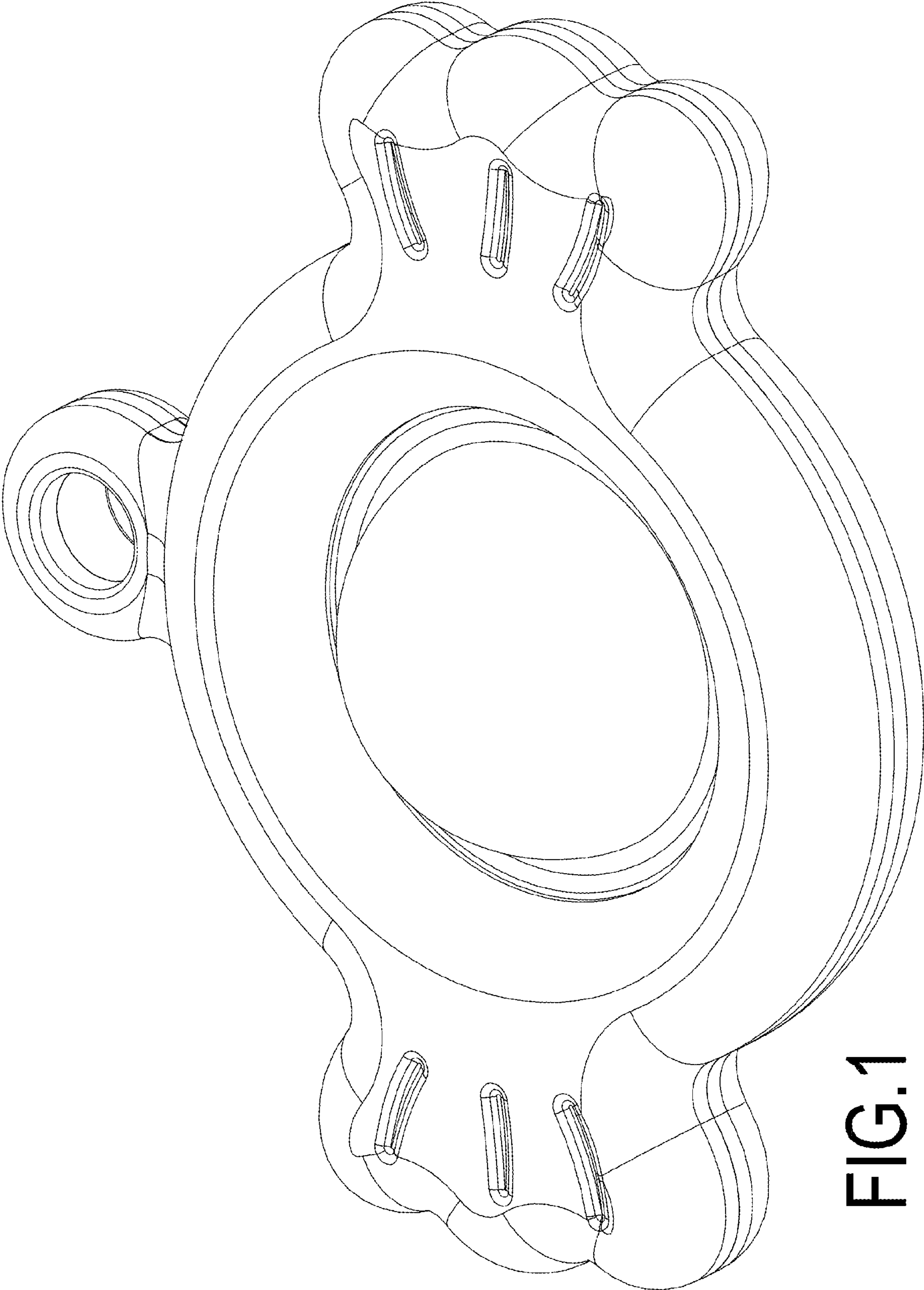


FIG.1

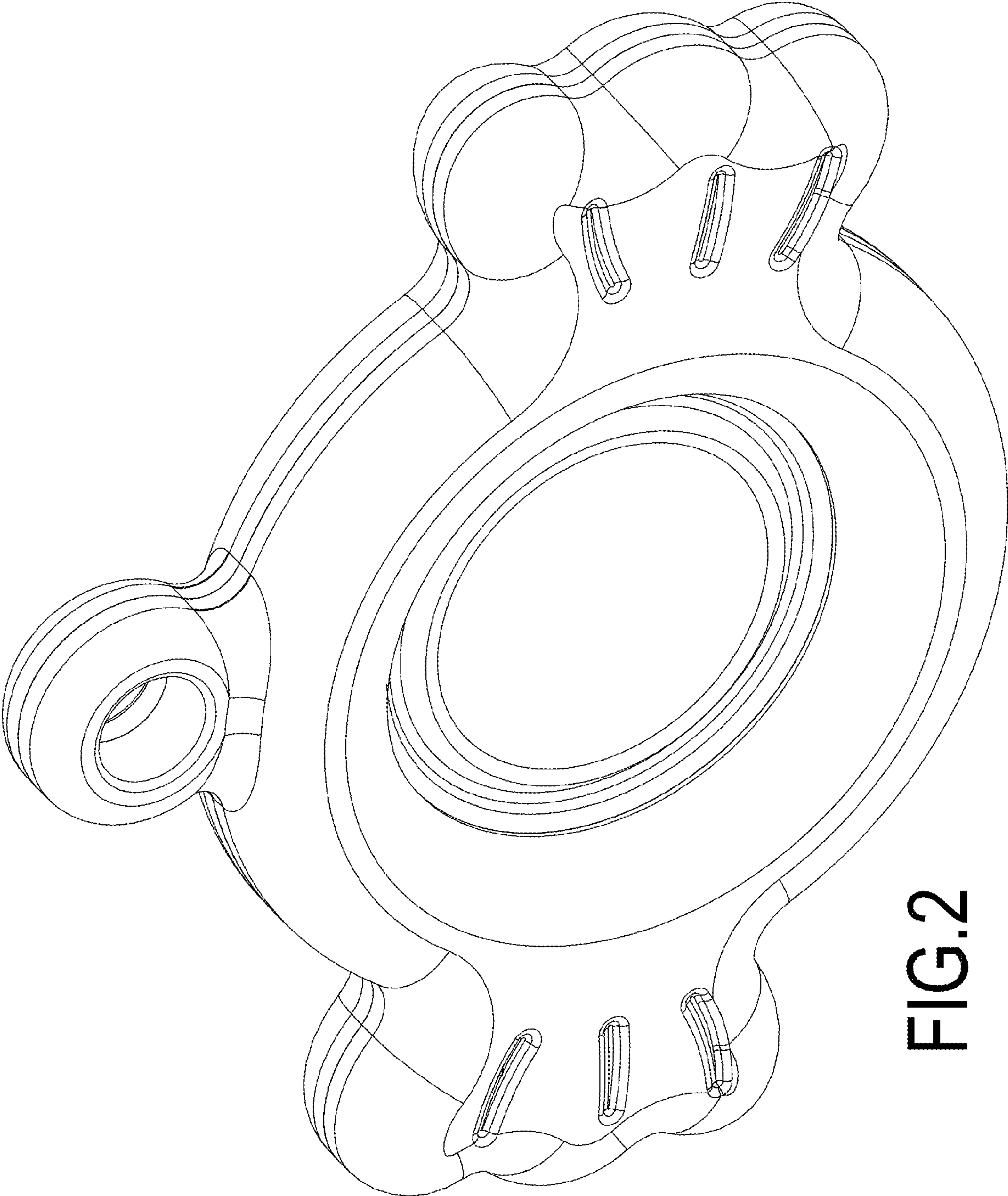


FIG. 2

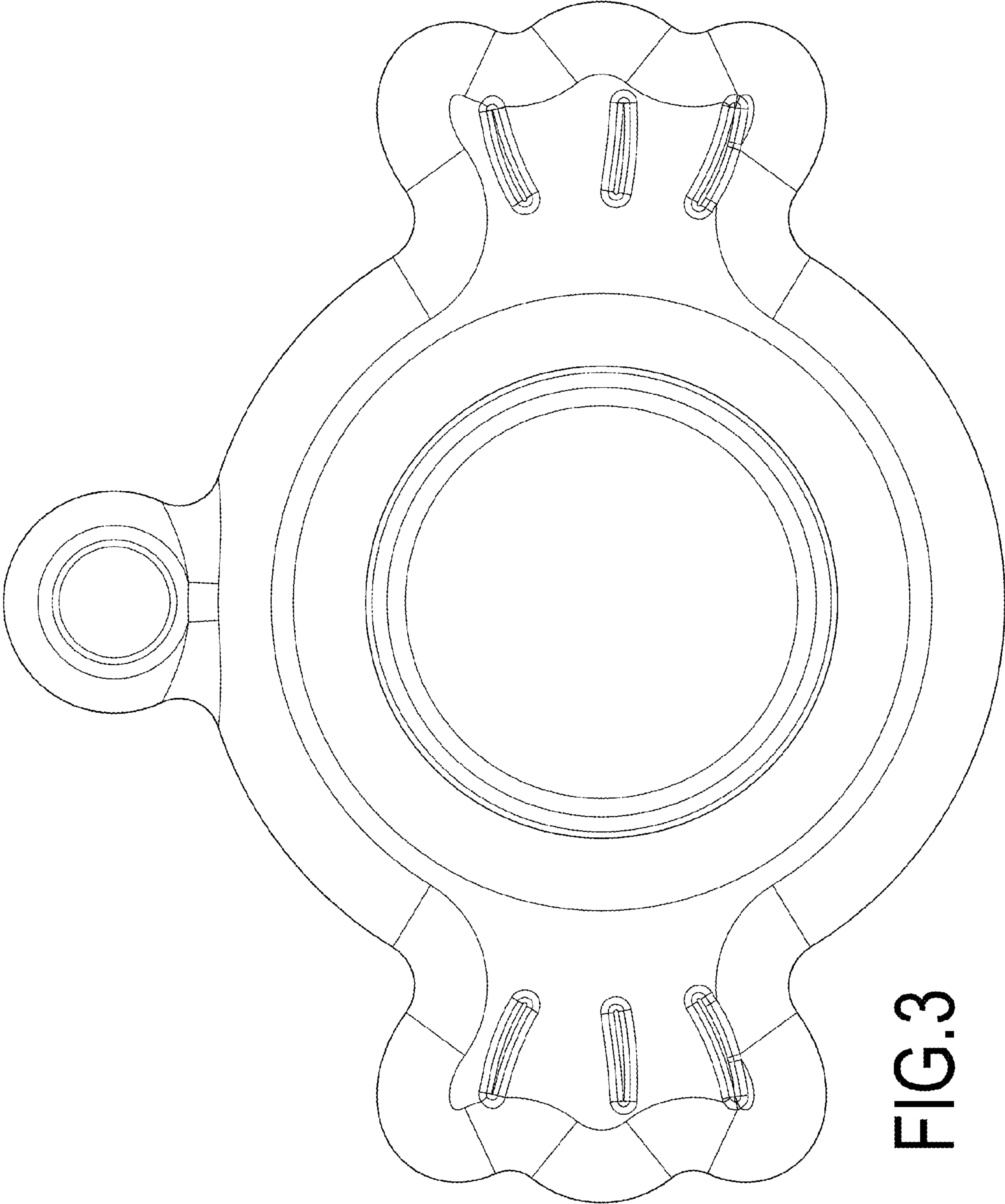


FIG.3

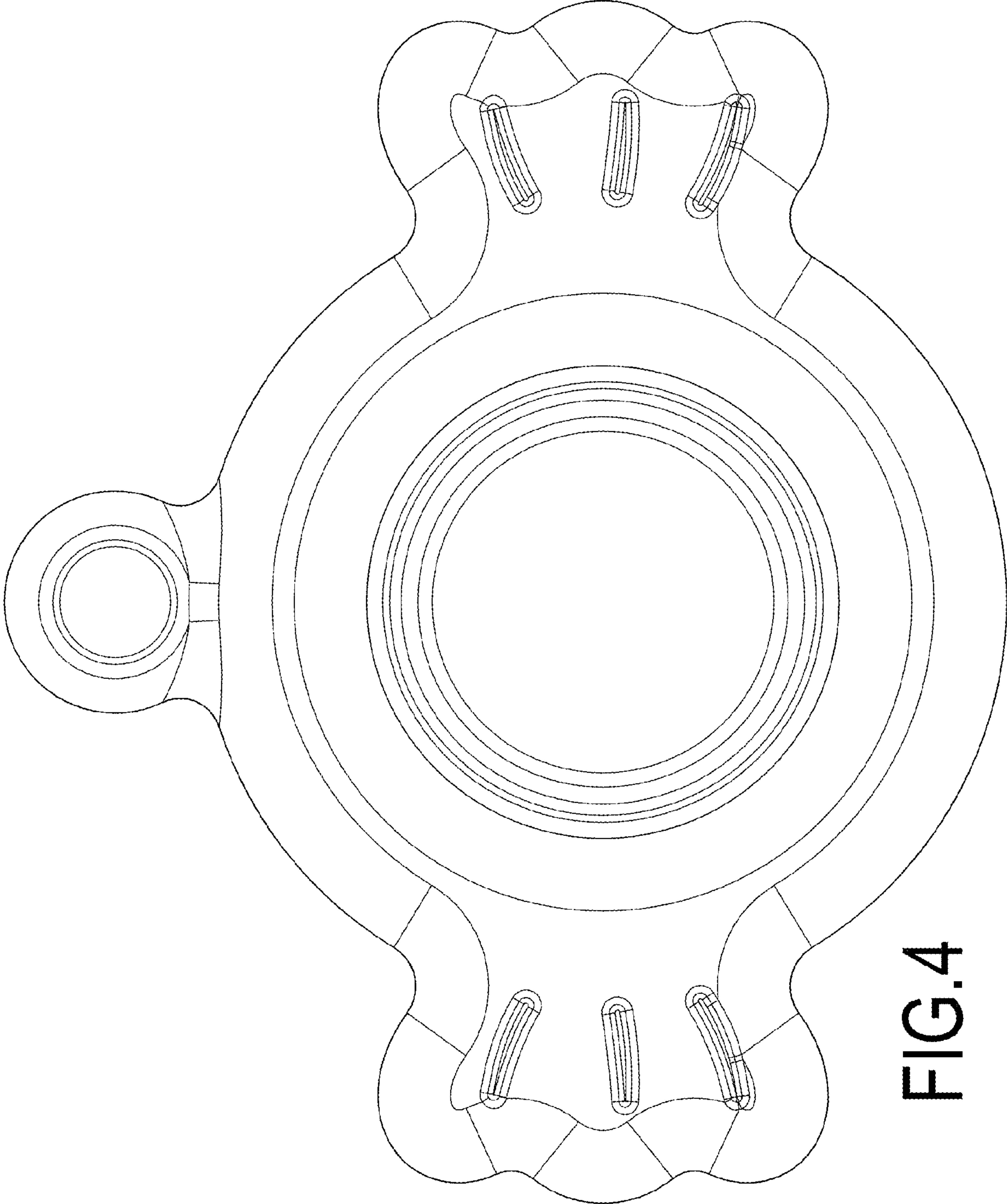


FIG.4

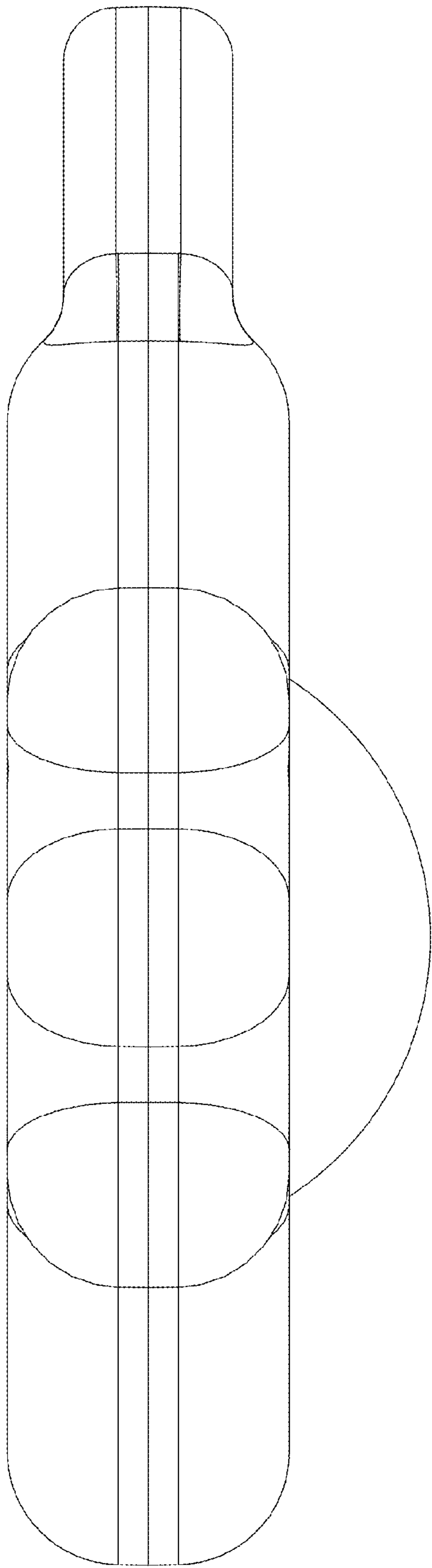


FIG.5

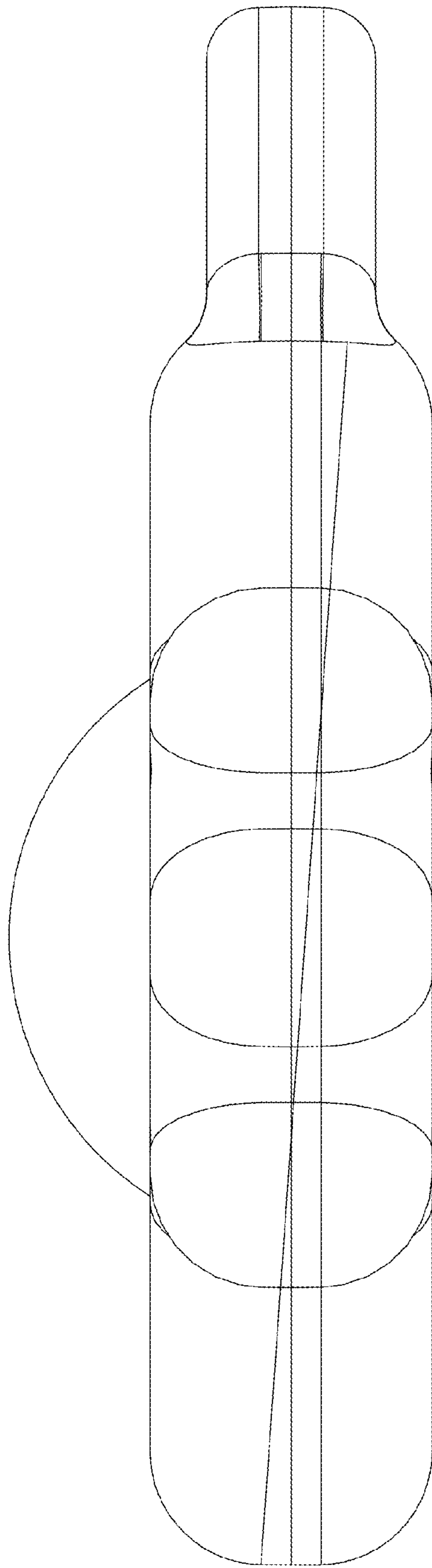


FIG.6

