



US00D924717S

(12) **United States Design Patent** (10) **Patent No.:** **US D924,717 S**  
**Qin** (45) **Date of Patent:** **\*\* Jul. 13, 2021**

(54) **WOVEN PATTERN SILICONE STRAP**

FOREIGN PATENT DOCUMENTS

(71) Applicant: **Lucky Goldjyx Co., Ltd**, Dongguan (CN)

CN 201830275190 \* 6/2018  
GB 444162 A \* 3/1936 ..... A44C 5/0053

(72) Inventor: **Guobin Qin**, Dongguan (CN)

OTHER PUBLICATIONS

(\*\*) Term: **15 Years**

Amazon, Wonlex Universal Silicone watch band, posted May 8, 2018, [online], [visited May 13, 2021]. Internet, <URL: https://www.amazon.co.uk/Universal-Width-Silicone-Replacement-Choose/dp/B088BGGY1K/ref> (Year: 2018).\*

(21) Appl. No.: **29/701,576**

Amazon, Haveda Store Silicone Watch band, posted Jul. 4, 2019, [online], [visited May 13, 2021]. Internet, <URL: https://www.amazon.com/Haveda-Compatible-40mm-Comfortable-Pattern/dp/B07TVNJ8FY/ref> (Year: 2019).\*

(22) Filed: **Aug. 13, 2019**

(51) **LOC (13) Cl.** ..... **11-01**

(52) **U.S. Cl.**

USPC ..... **D11/3**

\* cited by examiner

(58) **Field of Classification Search**

*Primary Examiner* — Sheryl Lane  
*Assistant Examiner* — Samantha N Wood

USPC ..... D11/1, 2, 3, 4, 5, 6, 12, 7, 8; D10/30, D10/31, 32, 33, 34, 35, 36, 38, 39

CPC ..... A44C 5/00; A44C 5/0007; A44C 5/0053; A44C 5/0084; A44C 5/04; A44C 5/18; A44C 5/185; A44C 5/20; A44C 5/2042; A44C 5/2047

(57) **CLAIM**

The ornamental design for a woven pattern silicone strap, as shown and described.

See application file for complete search history.

**DESCRIPTION**

(56) **References Cited**

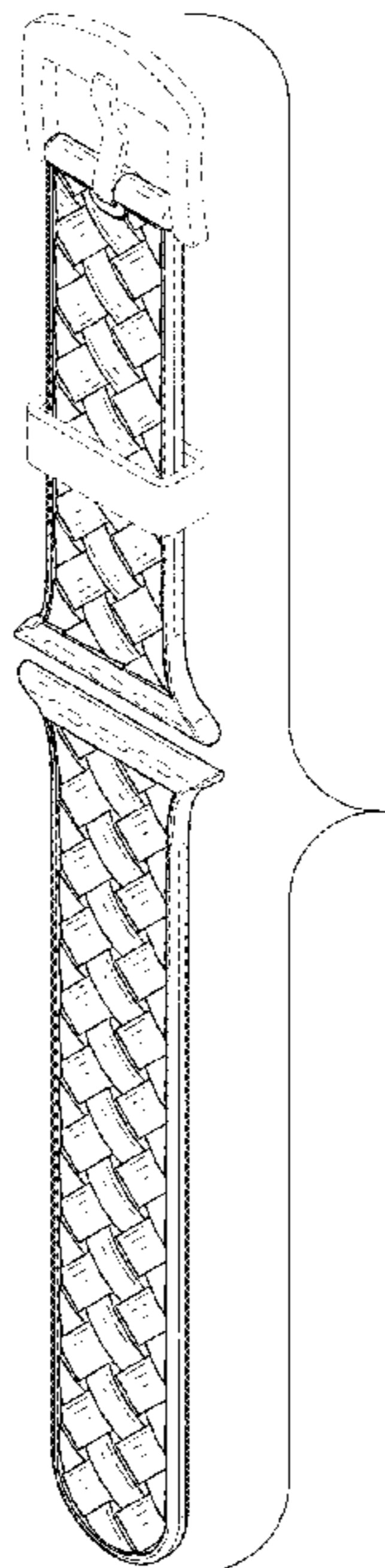
FIG. 1 is a first perspective view of a woven pattern silicone strap showing my design;  
FIG. 2 is a second perspective view thereof;  
FIG. 3 is a front view thereof;  
FIG. 4 is a back view thereof;  
FIG. 5 is a left side view thereof;  
FIG. 6 is a right side view thereof;  
FIG. 7 is a top view thereof; and,  
FIG. 8 is a bottom view thereof.

U.S. PATENT DOCUMENTS

D62,490 S \* 6/1923 Lederer ..... D11/3  
D255,108 S \* 5/1980 Hofman ..... D11/3  
D334,545 S \* 4/1993 Kaneko ..... D11/3  
D391,500 S \* 3/1998 Brzezinski ..... D10/30  
D489,282 S \* 5/2004 Hill ..... D11/3  
D620,813 S \* 8/2010 Hayek ..... D10/32  
D640,143 S \* 6/2011 Virgili ..... D10/32  
D732,414 S \* 6/2015 Cerrato ..... D11/3  
D753,008 S \* 4/2016 Akana ..... D11/3  
D816,533 S \* 5/2018 Maier ..... D11/4  
D834,439 S \* 11/2018 Monachon ..... D11/3

The broken lines, shown in the drawings depict portions of the woven pattern silicone strap in which the design is embodied that form no part of the claimed design.

**1 Claim, 8 Drawing Sheets**



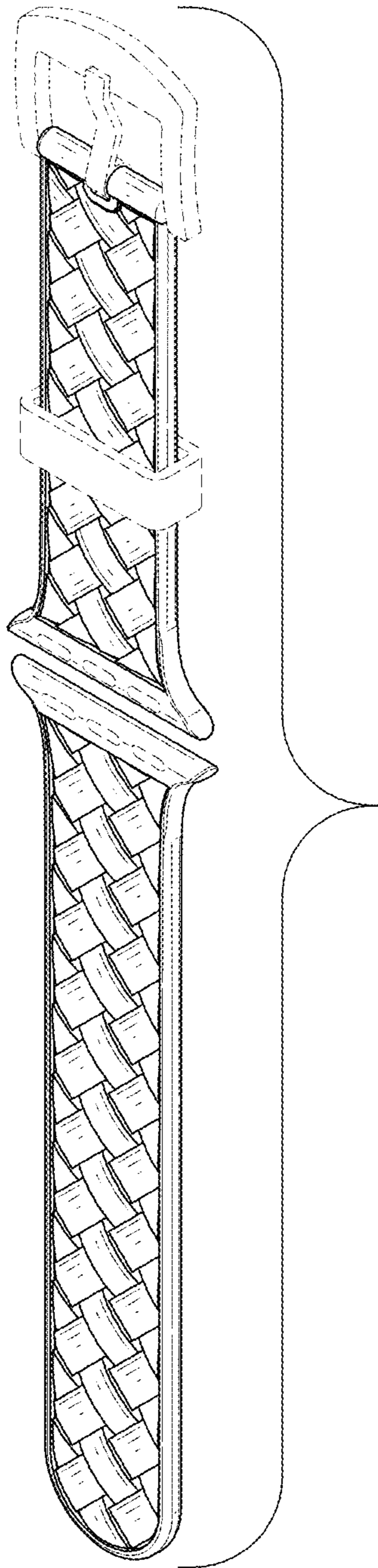


FIG. 1

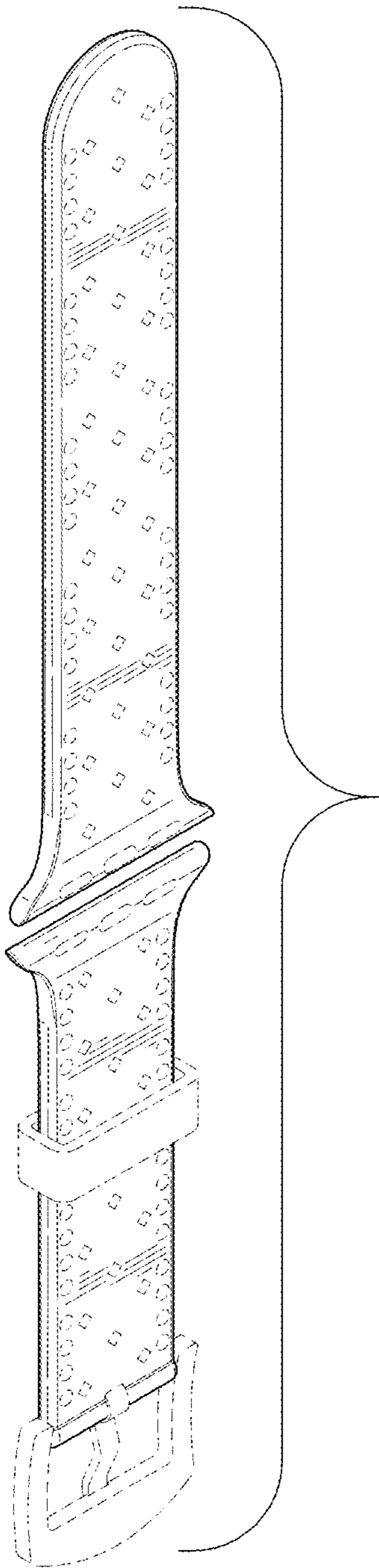


FIG. 2

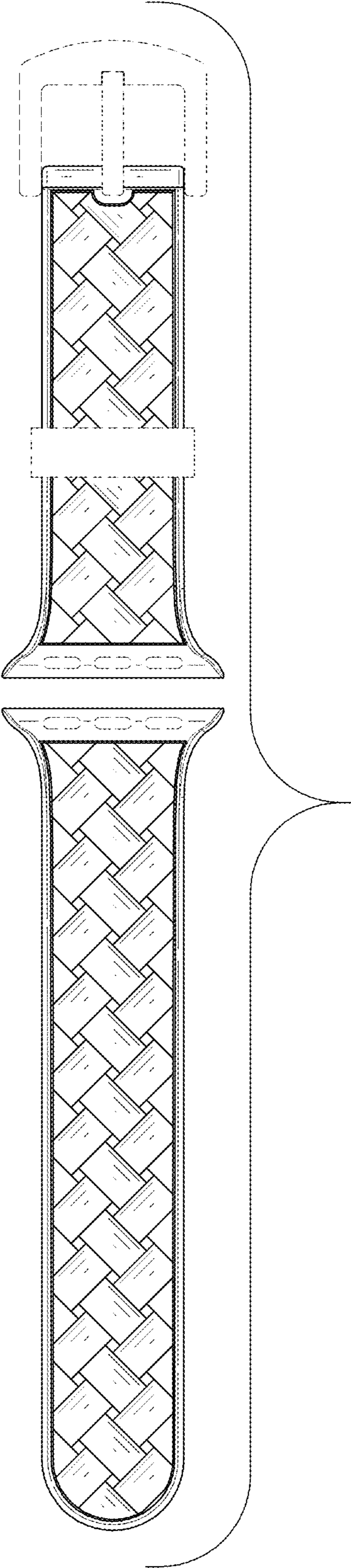


FIG. 3

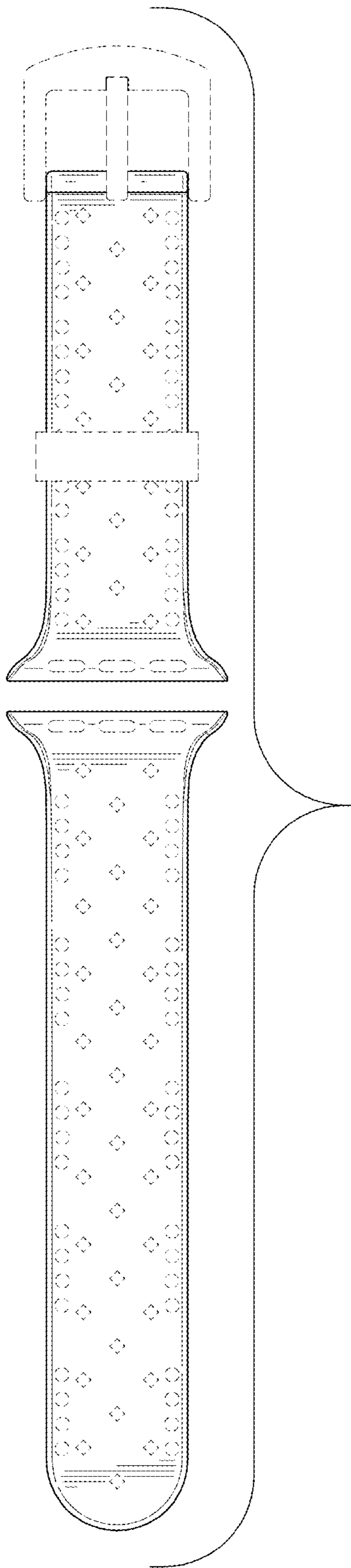


FIG. 4

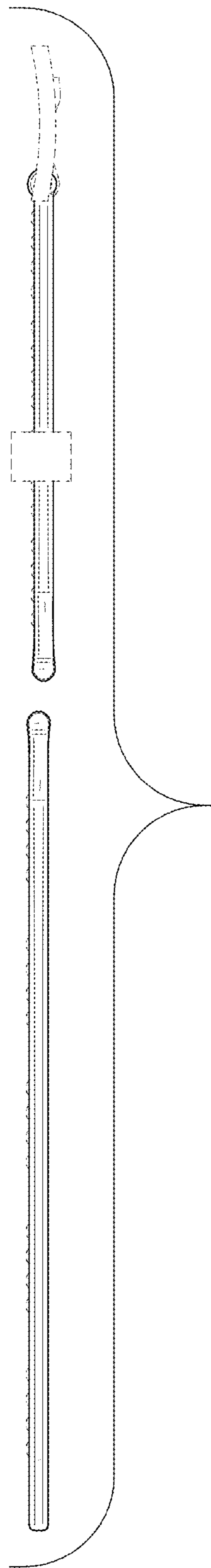


FIG. 5

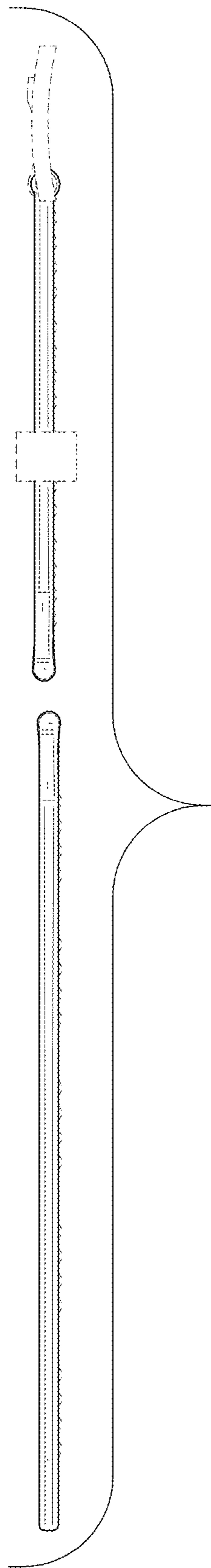


FIG. 6

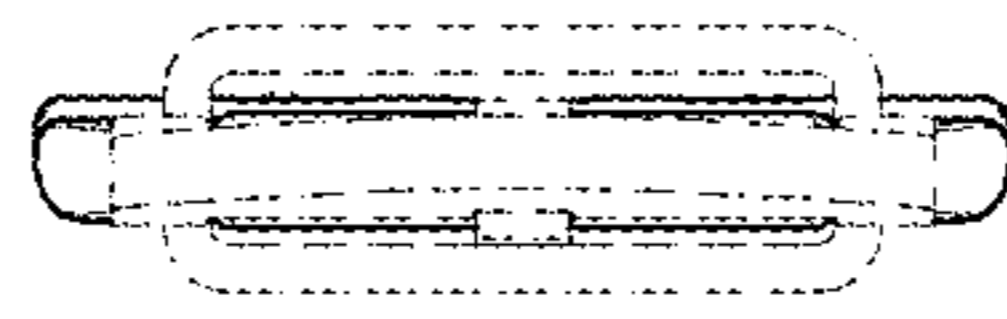


FIG. 7



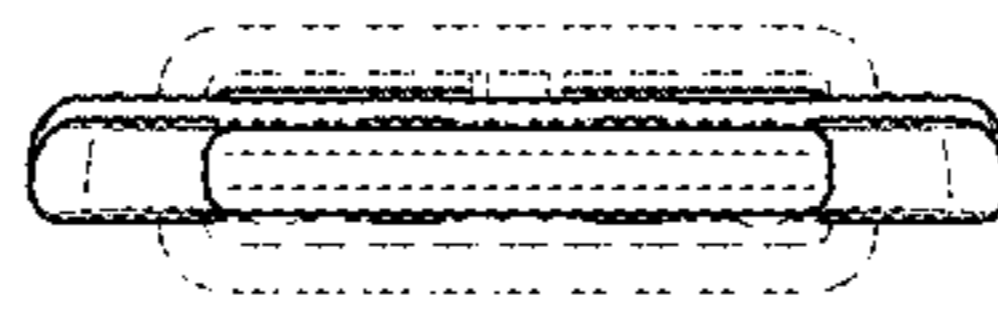


FIG. 8