



US00D924715S

(12) **United States Design Patent** (10) **Patent No.:** **US D924,715 S**
Wright et al. (45) **Date of Patent:** **** *Jul. 13, 2021**

(54) **WATCH CASE**
(71) Applicant: **CATALYST LIFESTYLE LIMITED,**
North Point (HK)

2,136,625 A 11/1938 Lasko
2,392,787 A 1/1946 Vermot
D157,606 S 3/1950 Lachman
(Continued)

(72) Inventors: **Joshua Wright,** Hong Kong Sar (CN);
June Lai, Hong Kong Sar (CN)

FOREIGN PATENT DOCUMENTS

CH 218928 A 1/1942
CH 343949 A 12/1959
(Continued)

(73) Assignee: **CATALYST LIFESTYLE LIMITED,**
North Point (HK)

OTHER PUBLICATIONS

(*) Notice: This patent is subject to a terminal disclaimer.

Catalyst Impact Case for Apple Watch Series SE, 654 | amazon.com; date first available Jan. 2019 [online]. © 1996-2020, Amazon.com, Inc [retrieved Dec. 10, 2020] from Internet: <<https://www.amazon.com/Catalyst-Compatible-Superior-Protective-Stealth/dp/B07JNGY4CT>> (Year: 2019).*

(**) Term: **15 Years**

(Continued)

(21) Appl. No.: **29/686,488**

(22) Filed: **Apr. 4, 2019**

Primary Examiner — Katherine Glennon

(30) **Foreign Application Priority Data**

(74) Attorney, Agent, or Firm — Dinsmore & Shohl LLP

Nov. 16, 2018 (CN) 201830653731.5

(57)

CLAIM

(51) **LOC (13) Cl.** **10-07**

The ornamental design for a watch case, as shown and described.

(52) **U.S. Cl.**

DESCRIPTION

USPC **D10/132; D14/440**

(58) **Field of Classification Search**

USPC D10/30-39, 128-132; D11/3, 5;
D14/344, 345, 440

CPC A44C 5/0007; A44C 5/147; A44C 11/10;
A44C 11/12; G04B 37/005; G04B
37/0058; G04B 37/084; G04B 37/087

See application file for complete search history.

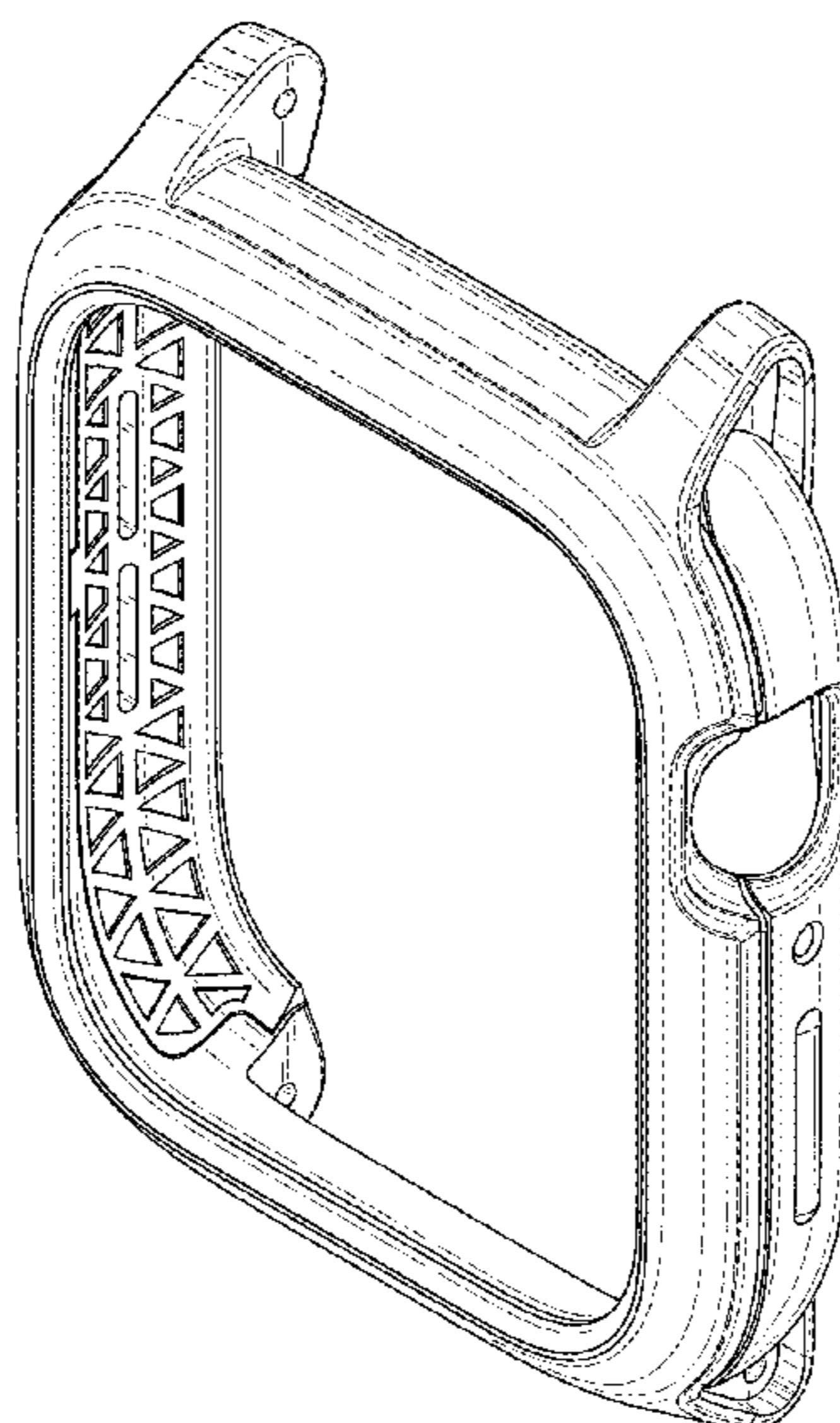
FIG. 1 is a perspective view including a front, an end, and a side of a watch case;
FIG. 2 is an elevation view of the front of the watch case of FIG. 1;
FIG. 3 is an elevation view of the rear of the watch case of FIG. 1;
FIG. 4 is an elevation view of a side of the watch case of FIG. 1;
FIG. 5 is an elevation view of the other side of the watch case of FIG. 1;
FIG. 6 is an elevation view of an end of the watch case of FIG. 1; and,
FIG. 7 is an elevation view of the other end of the watch case of FIG. 1.

(56) **References Cited**

U.S. PATENT DOCUMENTS

739,768 A 9/1903 Wood
1,195,299 A 8/1916 Wachter
1,205,217 A 11/1916 Solomon
1,986,328 A 1/1935 Dreyfus

1 Claim, 5 Drawing Sheets



(56)

References Cited

U.S. PATENT DOCUMENTS

3,194,004 A	7/1965	Church	8,955,678 B2	2/2015	Murphy et al.
3,640,065 A	2/1972	Lederrey et al.	8,967,437 B2	3/2015	Wilson
3,789,601 A	2/1974	Bergey	D727,194 S	4/2015	Wilson
3,800,525 A	4/1974	Bergey	9,004,329 B2	4/2015	Hsieh et al.
3,992,874 A	11/1976	Collins	9,007,758 B2	4/2015	Wilson et al.
4,062,181 A	12/1977	Zurcher	D729,218 S	5/2015	Wilson et al.
4,236,239 A	11/1980	Imgruth et al.	D737,159 S	8/2015	Akana et al.
4,390,288 A	6/1983	Arnoux	9,101,184 B2	8/2015	Wilson
D278,685 S	5/1985	Suzuki et al.	9,114,923 B2	8/2015	Richardson et al.
D279,081 S	6/1985	Suzuki et al.	9,136,897 B2	9/2015	Hynecek et al.
D283,014 S	3/1986	Suzuki et al.	9,145,250 B2	9/2015	Richardson et al.
D290,234 S	6/1987	Komatsu	D741,726 S	10/2015	Akana et al.
D293,417 S	12/1987	Sakamaki	9,155,368 B2	10/2015	Chang
D299,028 S	12/1988	Hermann	D742,254 S	11/2015	Greusel et al.
5,206,841 A	4/1993	Boucheron	D742,761 S	11/2015	Grazian et al.
D341,092 S	11/1993	Wild	D744,356 S	12/2015	Akana et al.
D351,799 S	10/1994	Bulgari	D745,421 S	12/2015	Akana et al.
5,392,261 A	2/1995	Hsu	9,223,346 B2	12/2015	Wilson
5,477,508 A	12/1995	Will	D746,707 S	1/2016	Akana et al.
D386,094 S	11/1997	Ventrella	D751,067 S	3/2016	Nousiainen
D396,647 S	8/1998	Sugisawa	D751,550 S	3/2016	Solomon et al.
6,068,119 A	5/2000	Derr et al.	D751,558 S	3/2016	Lee
6,267,236 B1	7/2001	Seok	D752,044 S	3/2016	Akana et al.
D451,419 S	12/2001	Tomimatsu	D752,579 S	3/2016	Lee
D453,298 S	2/2002	Yoshikawa et al.	D752,996 S	4/2016	Ebersold
6,349,824 B1	2/2002	Yamada	D755,393 S	5/2016	Amsler
D465,163 S	11/2002	Bodino	D756,244 S	5/2016	Bastian et al.
6,655,831 B1	12/2003	Ruffieux	D756,357 S	5/2016	Akana et al.
6,659,274 B2	12/2003	Enners	D756,824 S	5/2016	Akana et al.
6,698,608 B2	3/2004	Parker et al.	D759,658 S	6/2016	Lai et al.
D507,975 S	8/2005	Dreyfuss	D759,725 S	6/2016	Akana et al.
D517,430 S	3/2006	TerMeer et al.	9,386,932 B2	7/2016	Chatterjee et al.
D520,805 S	5/2006	Wright	D765,072 S	8/2016	Kwon
D528,440 S	9/2006	Lovegrove	D766,904 S	9/2016	Jung
D528,441 S	9/2006	Burton	D766,905 S	9/2016	Lee
D528,928 S	9/2006	Burton	D766,906 S	9/2016	Kim
7,106,197 B2	9/2006	Gaiotto et al.	D767,573 S	9/2016	Kim
D531,524 S	11/2006	Behling	D768,612 S	10/2016	Wright et al.
D539,671 S	4/2007	Lassigne	D769,879 S	10/2016	Kim
D564,367 S	3/2008	Molyneux	D771,504 S	11/2016	Lai et al.
7,555,325 B2	6/2009	Goros	D772,730 S	11/2016	Lai et al.
7,577,468 B2	8/2009	Begic et al.	D780,740 S	3/2017	Kim
7,594,576 B2	9/2009	Chen et al.	D780,764 S *	3/2017	Tur D14/440
D603,827 S	11/2009	Tompkin et al.	D786,879 S	5/2017	Kim
7,613,386 B2	11/2009	Shimamura	D790,517 S	6/2017	Akana et al.
7,630,746 B2	12/2009	Holmberg	D791,188 S	7/2017	Akana et al.
D616,417 S	5/2010	Liao	D795,089 S	8/2017	Wright et al.
7,708,457 B2	5/2010	Girardin et al.	D797,150 S	9/2017	Akana et al.
7,933,122 B2	4/2011	Richardson et al.	D797,809 S	9/2017	Akana et al.
D638,312 S	5/2011	Jacobs	D797,810 S	9/2017	Akana et al.
D638,324 S	5/2011	Tang	D798,744 S	10/2017	Wright et al.
7,946,758 B2	5/2011	Mooring	D798,905 S	10/2017	Akana et al.
D645,031 S	9/2011	Richardson et al.	D799,344 S	10/2017	Wright et al.
D657,262 S	4/2012	Pulli	D800,172 S	10/2017	Akana et al.
D662,929 S *	7/2012	Fahrendorff D14/250	D800,700 S	10/2017	Bergman
D664,046 S	7/2012	Claessens	D802,587 S *	11/2017	Lee D14/344
D666,924 S	9/2012	Ahlstrom	D813,220 S	3/2018	Wright et al.
8,292,493 B2	10/2012	Mooring	D819,622 S	6/2018	Wright et al.
D672,255 S	12/2012	Zanella et al.	D820,822 S *	6/2018	Wright D14/250
D672,265 S	12/2012	Pulli	D824,033 S	7/2018	Masuyama et al.
D673,477 S	1/2013	Szellos	D836,478 S *	12/2018	Wright D11/3
8,342,325 B2	1/2013	Rayner	D839,753 S	2/2019	Domke et al.
8,345,412 B2	1/2013	Maravilla et al.	D853,878 S	7/2019	Wright et al.
D683,338 S	5/2013	Wilson et al.	D854,960 S *	7/2019	Yu D11/3
D688,582 S	8/2013	Wilson	D857,022 S *	8/2019	Tur D14/440
D688,967 S	9/2013	Wilson	D867,179 S	11/2019	Akana et al.
D693,251 S	11/2013	Anderssen et al.	D888,710 S *	6/2020	Yun D14/344
D699,701 S	2/2014	Kim	D897,350 S *	9/2020	Wang D14/440
D709,057 S	7/2014	Wilson et al.	D897,882 S *	10/2020	Yi D11/3
D709,869 S	7/2014	Witter et al.	D902,768 S *	11/2020	Lin D10/132
8,787,009 B2	7/2014	Wilson et al.	2002/0065054 A1	5/2002	Humphreys et al.
D714,295 S *	9/2014	Fujioka D14/440	2005/0116003 A1	6/2005	Butler et al.
D716,786 S	11/2014	Wilson et al.	2009/0080153 A1	3/2009	Richardson et al.
D717,678 S	11/2014	Anderssen et al.	2009/0302799 A1	12/2009	Marquet et al.
8,944,614 B2	2/2015	Parrill	2010/0061191 A1	3/2010	Chen
			2012/0073093 A1	3/2012	Szellos
			2012/0074005 A1	3/2012	Johnson et al.
			2012/0134244 A1	5/2012	Margaritelli
			2013/0001263 A1	1/2013	Kai

(56)

References Cited

U.S. PATENT DOCUMENTS

2013/0222139	A1	8/2013	Gouge et al.
2014/0022875	A1	1/2014	Scioscia
2014/0356495	A1	12/2014	Teuscher
2015/0137731	A1	5/2015	Kim
2015/0141096	A1	5/2015	Murphy et al.
2015/0214991	A1	7/2015	Ranchod et al.
2015/0296963	A1	10/2015	Byun et al.
2015/0319520	A1	11/2015	Richardson et al.
2016/0254836	A1	9/2016	Alsberg et al.
2017/0035156	A1	2/2017	Wright et al.
2017/0248922	A1	8/2017	Hyneczek

FOREIGN PATENT DOCUMENTS

CH	690870	A5	2/2001
CN	203119956	U	8/2013
CN	203708299	U	7/2014
CN	204190798	U	3/2015
CN	204305125	U	4/2015
DE	822169	C	11/1951
JP	8046371	A	2/1996
JP	9023072	A	1/1997
JP	3044740	U	1/1998
JP	10079582	A	3/1998
JP	11231970	A	8/1999
JP	11231973	A	8/1999
JP	11284358	A	10/1999
JP	2000125916	A	5/2000
JP	2006064762	A	3/2006
TW	D168277		6/2015
WO	9967889	A1	12/1999
WO	03041288	A2	5/2003
WO	2014019030	A1	2/2014

OTHER PUBLICATIONS

Catalyst Drop Case for Apple Watch / posted at macobserver.com May 2018 [online][site visited Jul. 17, 2018]. Available from

internet: <<https://www.macobserver.com/cool-stuff-found/catalyst-drop-case-apple-watch-sports-band/>> (Year: 2018).
<https://www.amazon.com/Actionproof-Apple-Watch-Case-42mm>, Jan. 9, 2018.
<https://www.amazon.com/Caseology-Rugged-Protective-Resistant-Bumper>, Jan. 9, 2018.
<https://www.amazon.com/LUVVITT-Performance-FLuoroelastomer-Fiexible-Editions>, Jan. 9, 2018.
<https://www.amazon.com/OULUOQI-Shock-proof-Shatter-resistant-Protector-iwatch>, Jan. 9, 2018.
<https://www.amazon.com/Speck-Products-CandyShell-Apple-Watch>, Jan. 9, 2018.
<https://www.amazon.com/Spigen-Extreme-Protection-Protector-Original>, Jan. 9, 2018.
<https://www.amazon.com/UMTELE-Rugged-Scratch-Resistant-Protective>, Jan. 9, 2018.
<https://www.amazon.com/iitee-Universal-Rugged-Protective-iWatch>, Jan. 9, 2018.
 Watch Case / Catalyst Case for Apple Watch / Catalyst, posted at catalystlifestyle.com, posting date N/A, © 2016 catalystlifestyle.com, [online], [site visited Jun. 24, 2016], Available from Internet <http://www.catalystlifestyle.com/collections/calalyst-case-for-apple-watch/products/calalyst-apple-watch-42mm>.
 Catalyst 330ft Waterproof Case for Apple Watch Series 5 44mm | posted at [amazon.com](https://www.amazon.com) Jan. 2019 [online]. © 1996-2020, Amazon.com, Inc [retrieved Jun. 2, 2020] from Internet: <<https://www.amazon.com/Catalyst-Waterproof-Silicone-Resistant-Protective/dp/B07KRZNF59>> (Year: 2019).
 Office Action dated Jun. 12, 2020 pertaining to Design U.S. Appl. No. 29/679,249, filed Feb. 4, 2019, 32 pgs.
 Notice of Allowance and Fee(s) Due dated Jun. 11, 2020 pertaining to Design U.S. Appl. No. 29/614,714, filed Aug. 22, 2017, 5 pgs.
 Notice of Allowance and Fee(s) Due dated Jun. 10, 2020 pertaining to Design U.S. Appl. No. 29/614,667, filed Aug. 22, 2017, 5 pgs.
 Notice of Allowance and Fee(s) Due dated Jun. 10, 2020 pertaining to Design U.S. Appl. No. 29/614,919, filed Aug. 24, 2017, 5 pgs.

* cited by examiner

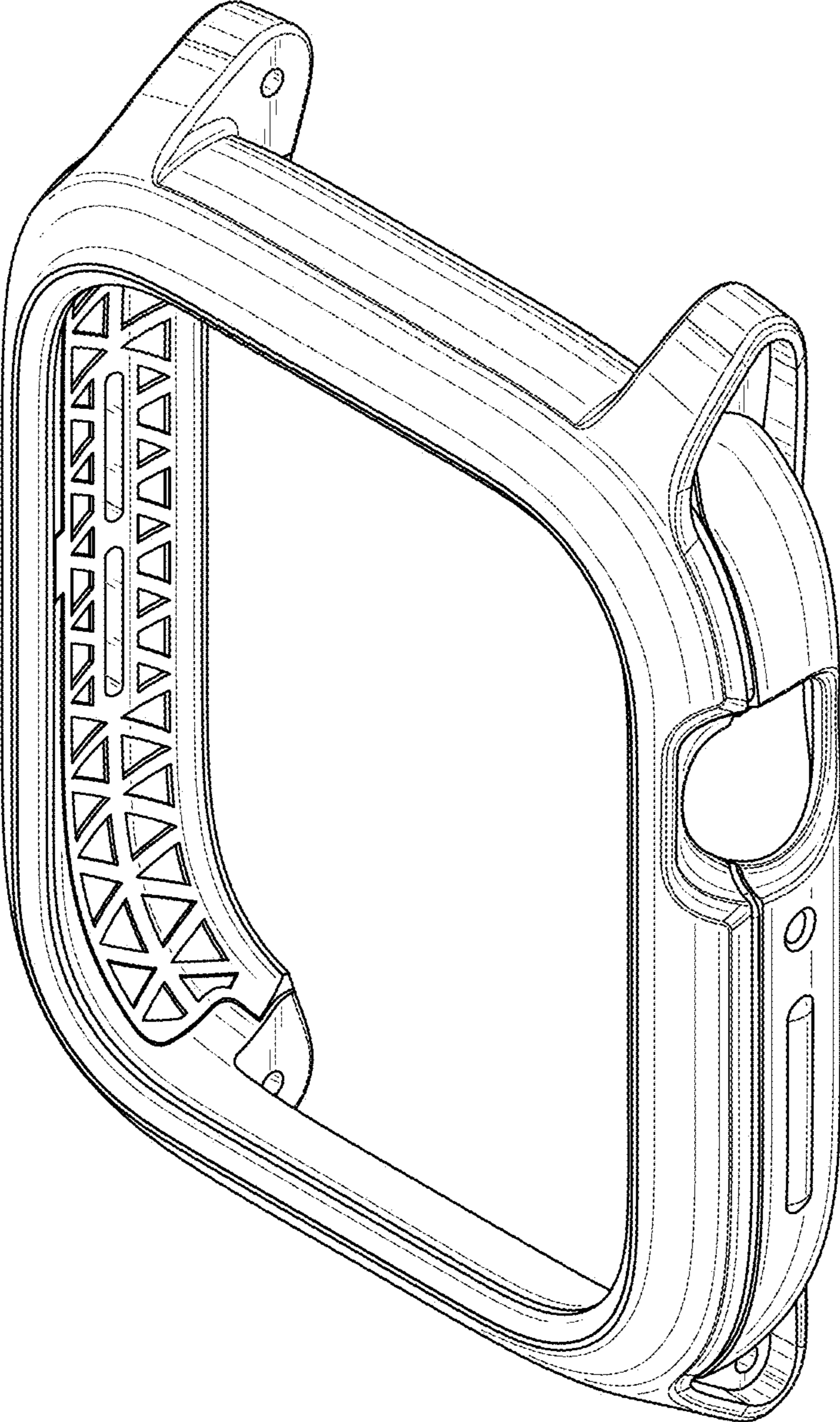


FIG. 1

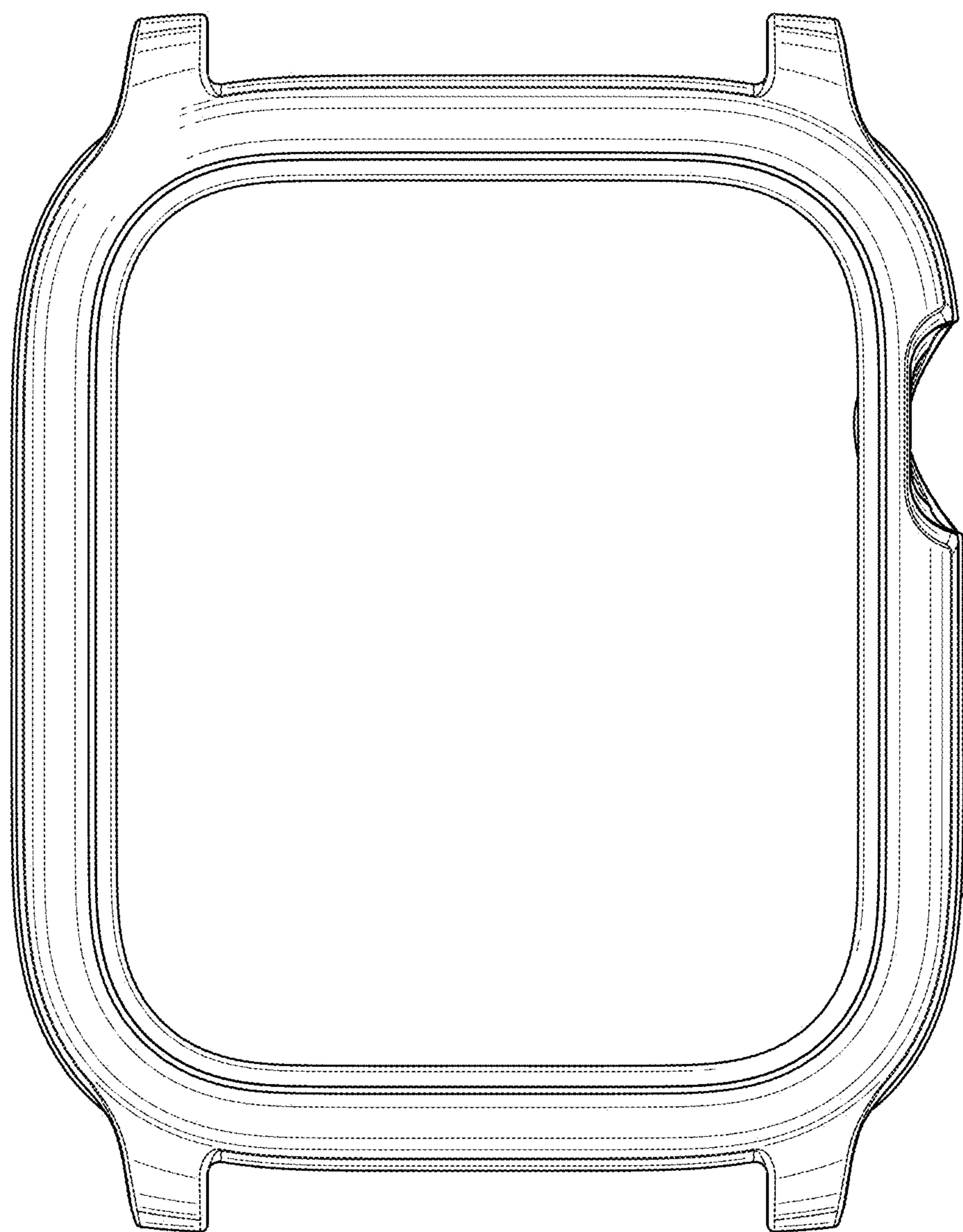


FIG. 2

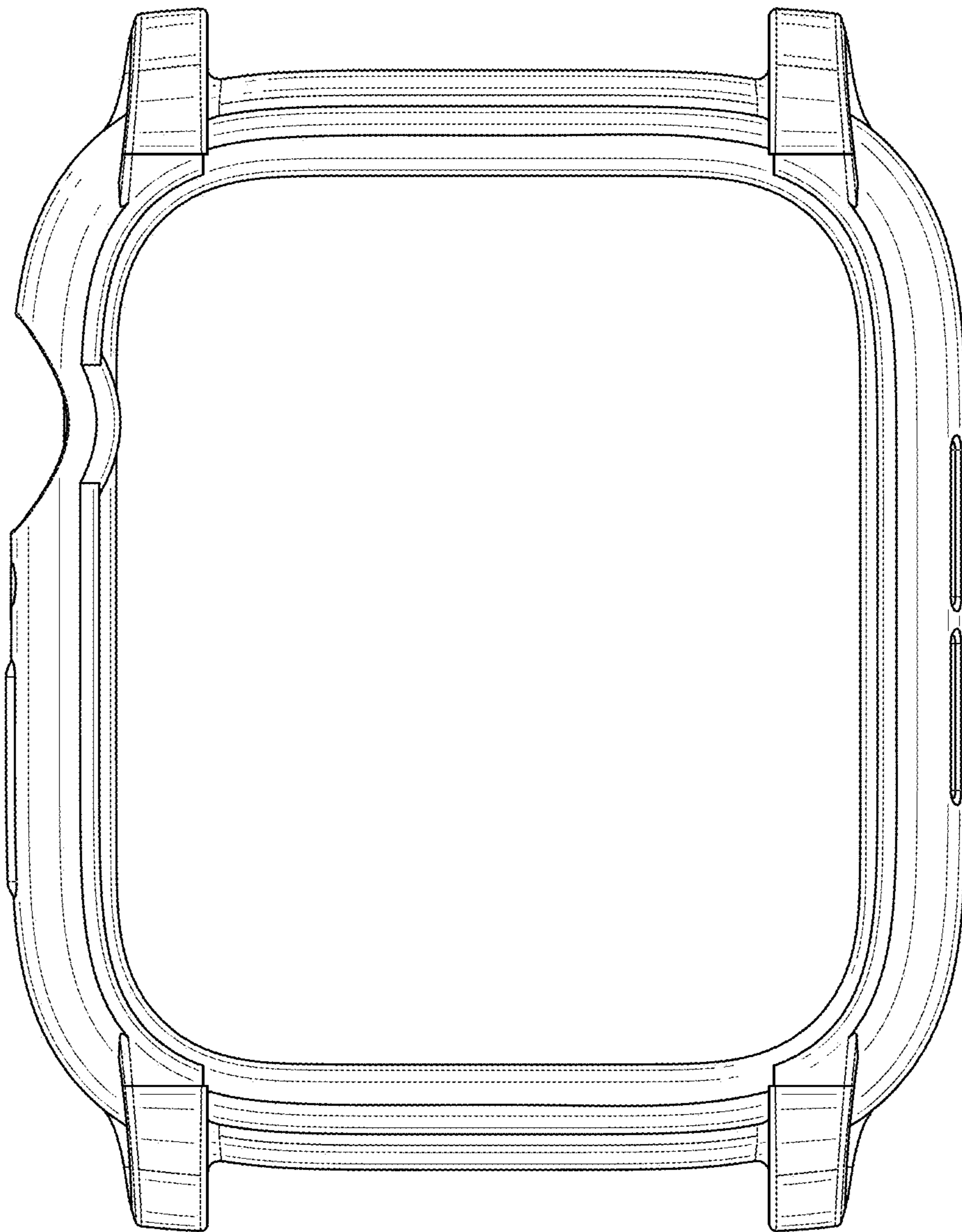


FIG. 3

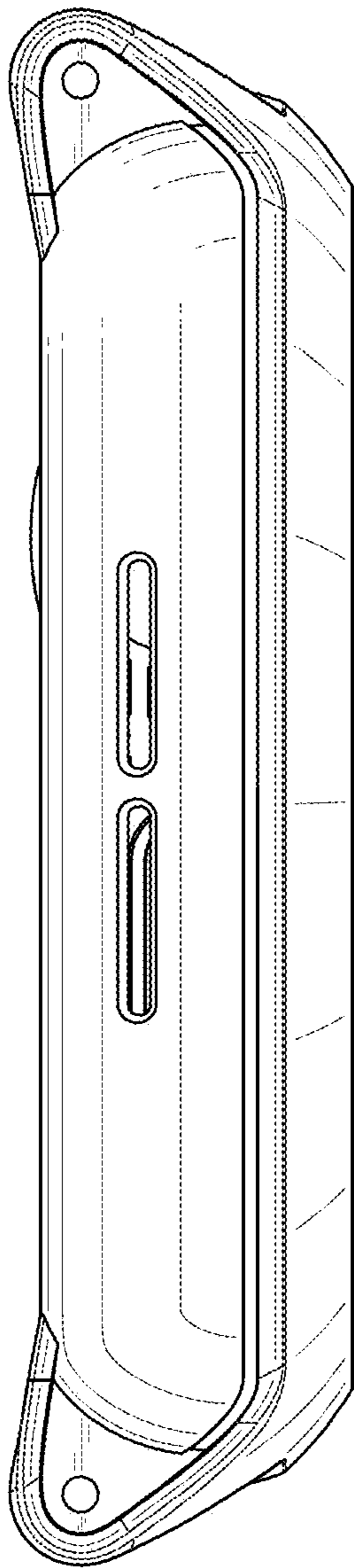


FIG. 4

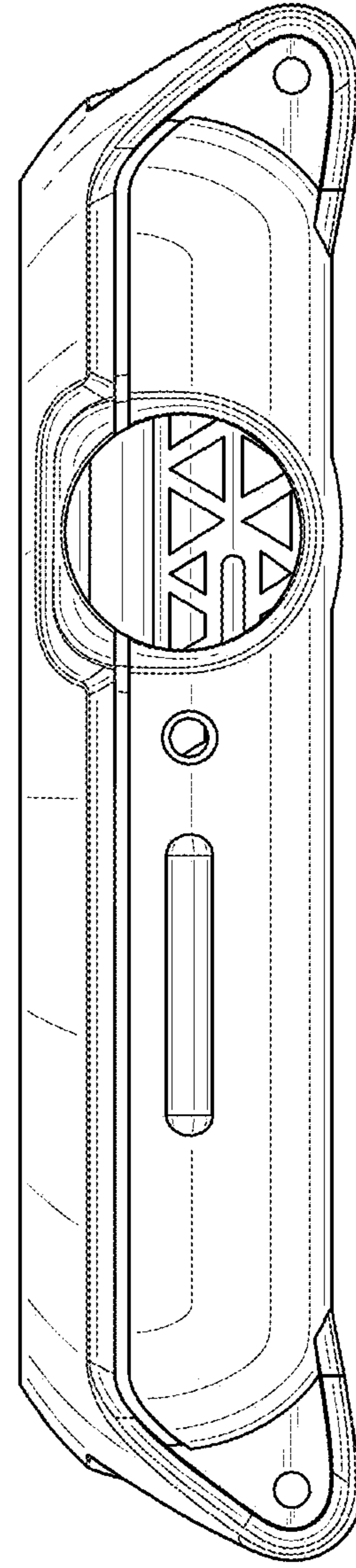


FIG. 5

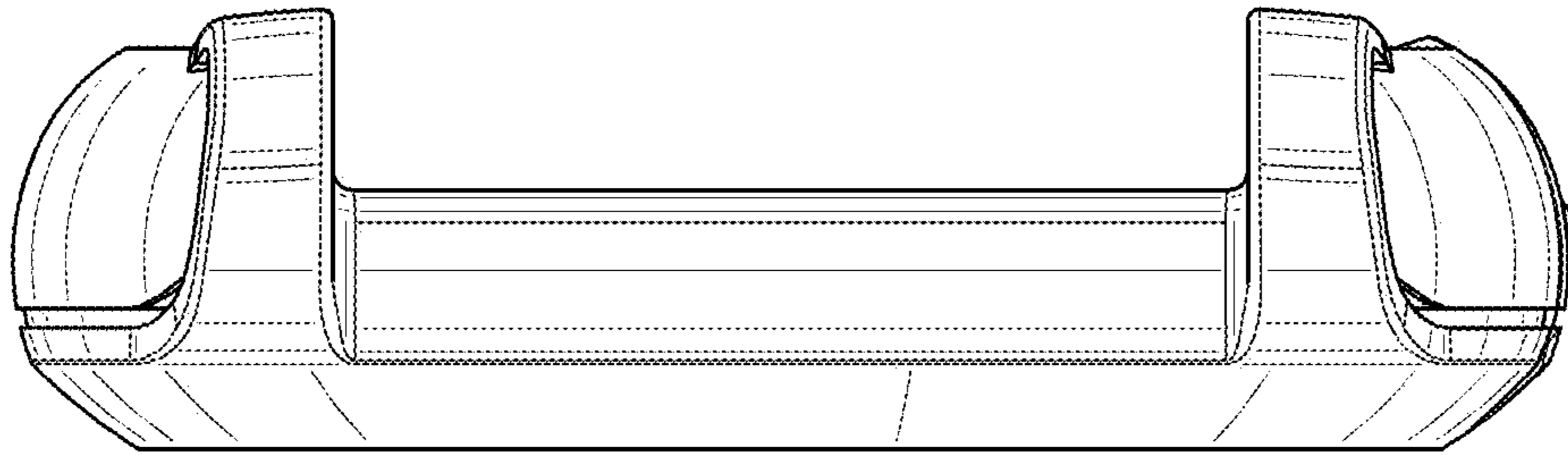


FIG. 6

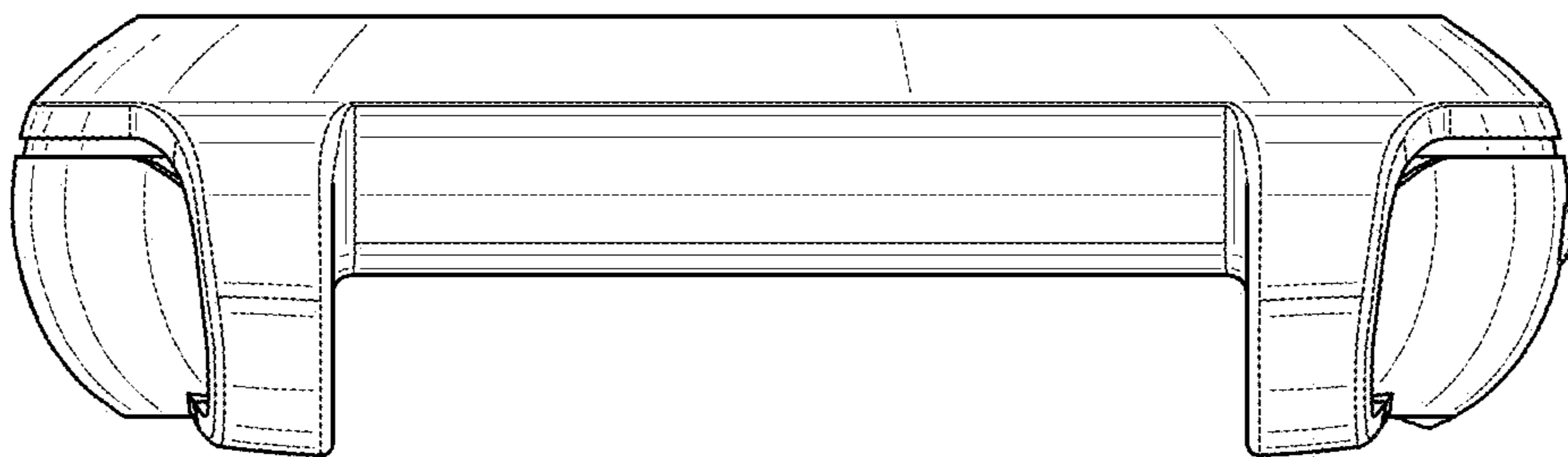


FIG. 7