



US00D924714S

(12) **United States Design Patent** (10) **Patent No.:** **US D924,714 S**
Tokuyama (45) **Date of Patent:** **** Jul. 13, 2021**

(54) **WATCHCASE**

(71) Applicant: **Citizen Watch Co., Ltd.**, Nishitokyo (JP)

(72) Inventor: **Gisuke Tokuyama**, Kawasaki (JP)

(73) Assignee: **Citizen Watch Co., Ltd.**, Tokyo (JP)

(**) Term: **15 Years**

(21) Appl. No.: **29/703,378**

(22) Filed: **Aug. 27, 2019**

(51) **LOC (13) Cl.** **10-07**

(52) **U.S. Cl.**
 USPC **D10/128**

(58) **Field of Classification Search**
 USPC D10/30, 31, 32, 33, 34, 35, 36, 37, 38,
 D10/39, 122, 123, 124, 125, 126, 103,
 D10/128, 129, 102, 132; D14/137,
 D14/138 R, 344
 CPC G04B 37/00; G04B 37/0008; G04B
 37/0016; G04B 37/005; G04B 37/04;
 G04B 37/0427; G04B 37/05; G04B
 19/00; G04B 19/10; G04B 19/12; G04B
 19/14; G04B 19/16; G04B 19/18; G04B
 19/20; G04B 19/22; G04B 19/223; G04B
 19/225; G04B 19/30

See application file for complete search history.

(56) **References Cited**

U.S. PATENT DOCUMENTS

D380,698 S * 7/1997 Paredes D10/128
 D411,956 S * 7/1999 Sugita D10/30
 D433,638 S * 11/2000 Kaneko D10/32
 D540,196 S * 4/2007 Ruchonnet D10/32
 D564,909 S * 3/2008 Kume D10/38
 D607,755 S 1/2010 Kummer et al.
 D652,328 S 1/2012 Laucella et al.
 D664,864 S * 8/2012 Kawashima D10/32

D711,751 S 8/2014 Laucella
 D717,682 S * 11/2014 Yliluoma D10/128
 D760,096 S 6/2016 Lutgen
 D760,606 S * 7/2016 Bonadei D10/38
 D796,348 S 9/2017 Kauffmann
 D797,577 S 9/2017 Kauffmann
 D819,477 S 6/2018 Monachon
 D824,782 S * 8/2018 Bernheim D10/30
 D857,525 S * 8/2019 Kwong D10/30
 D867,195 S * 11/2019 Okazaki D10/128

OTHER PUBLICATIONS

Time Machine Plus, 1990s Zodiac Sea Wolf Blue Dot Men's Watch, produced 1990s, [online], [visited Mar. 1, 2021], Internet, <URL: <https://timemachineplus.com/collections/vintage-watches/products/1990s-zodiac-sea-wolf-blue-dot-blue-sunray-dial-gold-bezel-mens-watch>> (Year: 1990).*

* cited by examiner

Primary Examiner — Sheryl Lane
 Assistant Examiner — Samantha N Wood
 (74) Attorney, Agent, or Firm — RatnerPrestia

(57) CLAIM

The ornamental design for a watchcase, as shown and described.

DESCRIPTION

FIG. 1 is a perspective view of a watchcase showing my new design;
 FIG. 2 is a front elevational view thereof;
 FIG. 3 is a left side elevational view thereof;
 FIG. 4 is a right side elevational view thereof;
 FIG. 5 is a rear elevational view thereof;
 FIG. 6 is a top plan view thereof; and,
 FIG. 7 is a bottom plan view thereof.
 The broken lines are for showing portions of the article, and form no part of the claimed design.

1 Claim, 5 Drawing Sheets

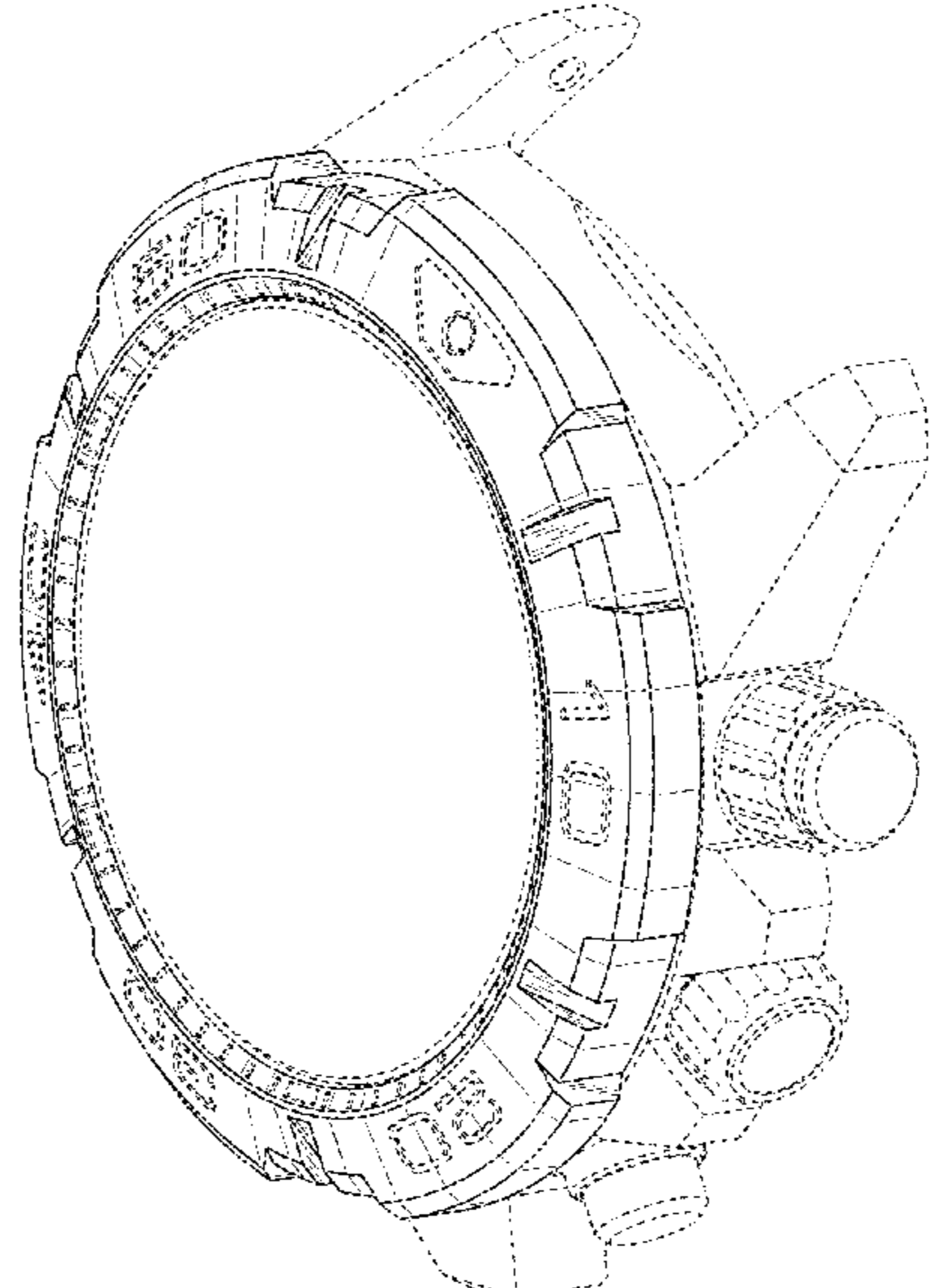


FIG. 1

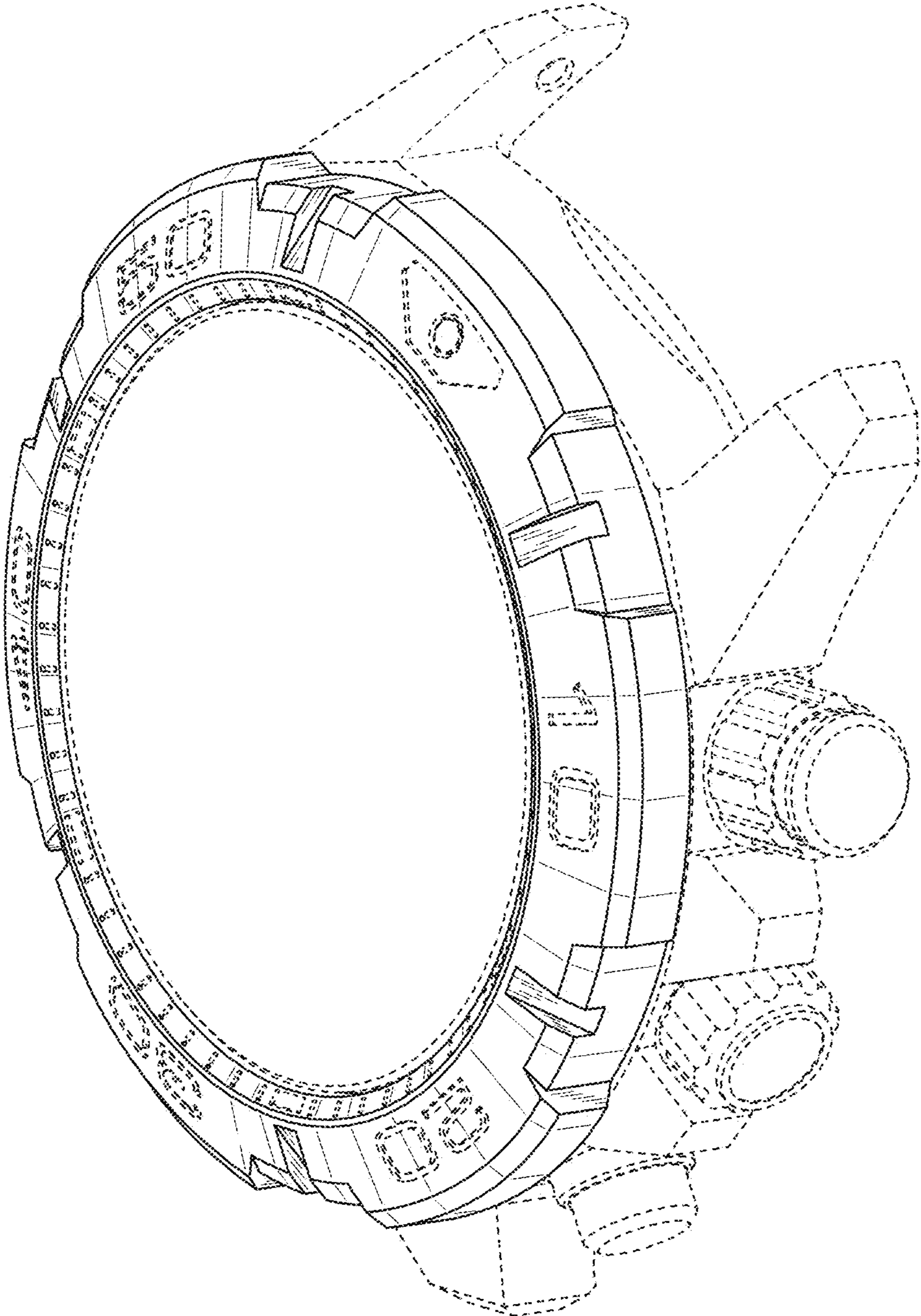


FIG. 2

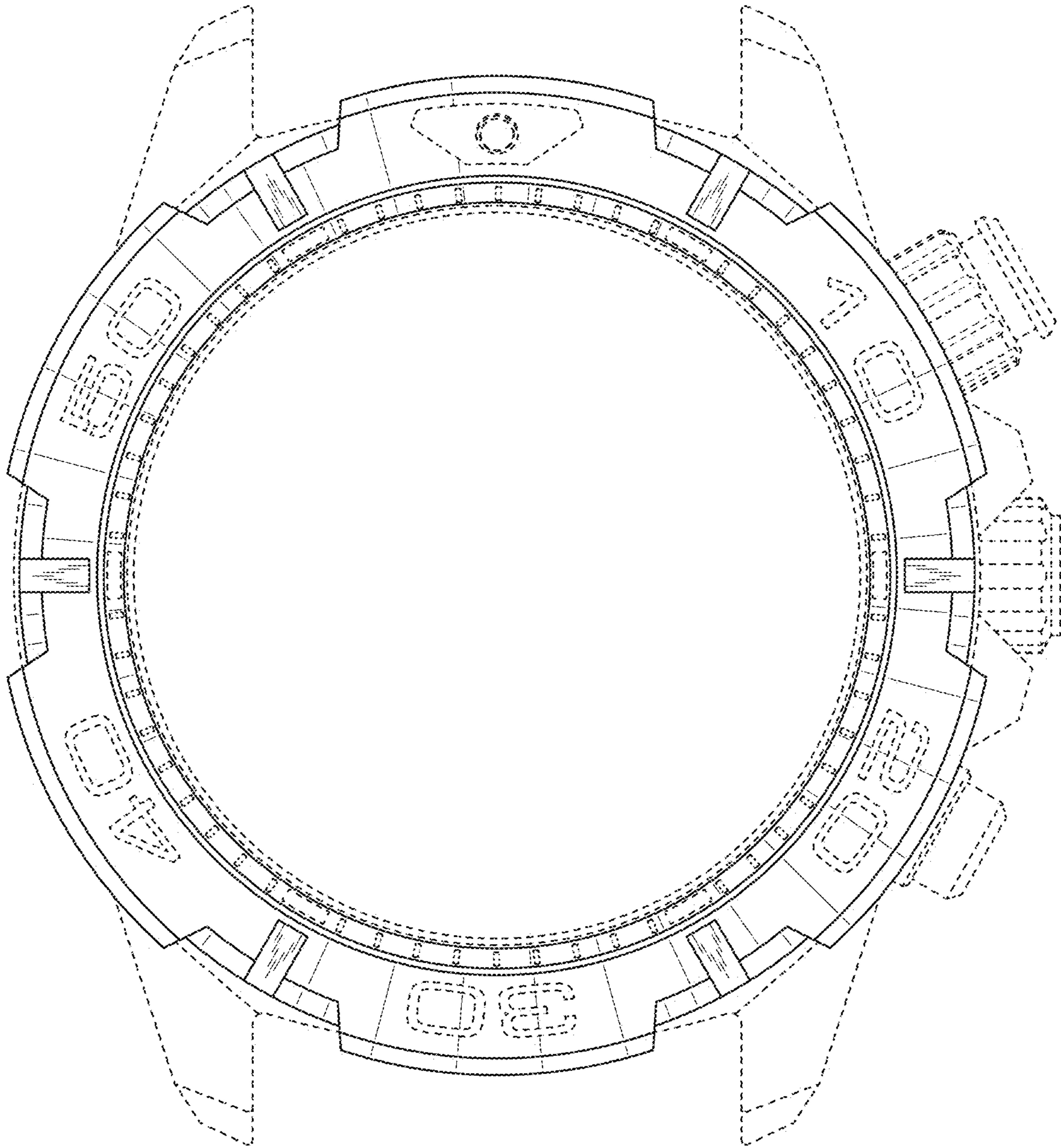


FIG. 3

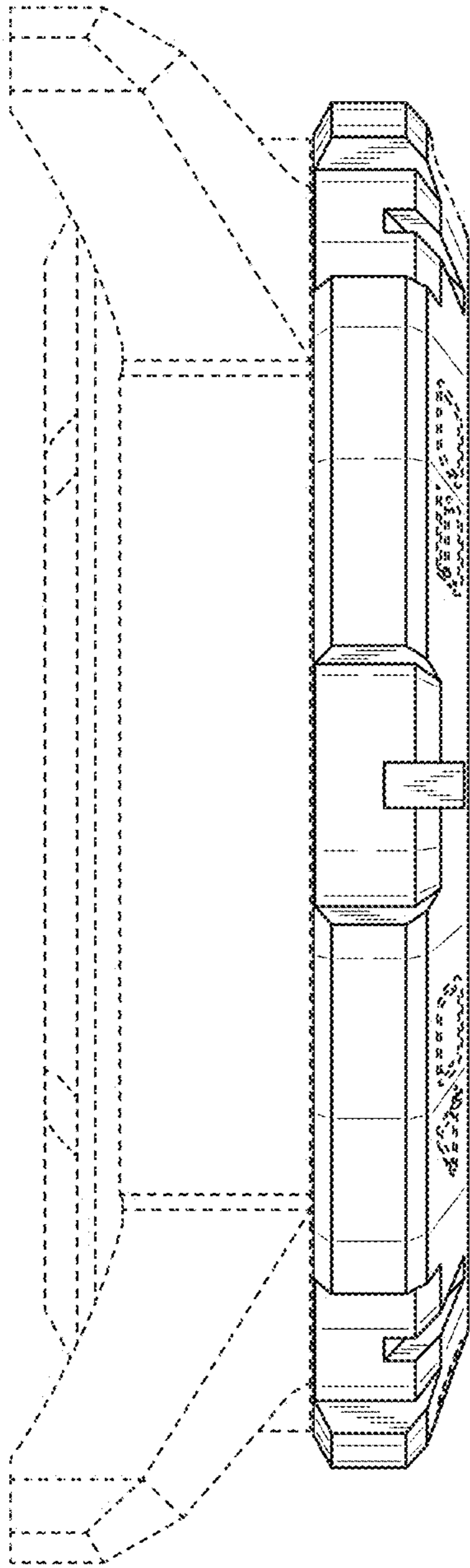


FIG. 4

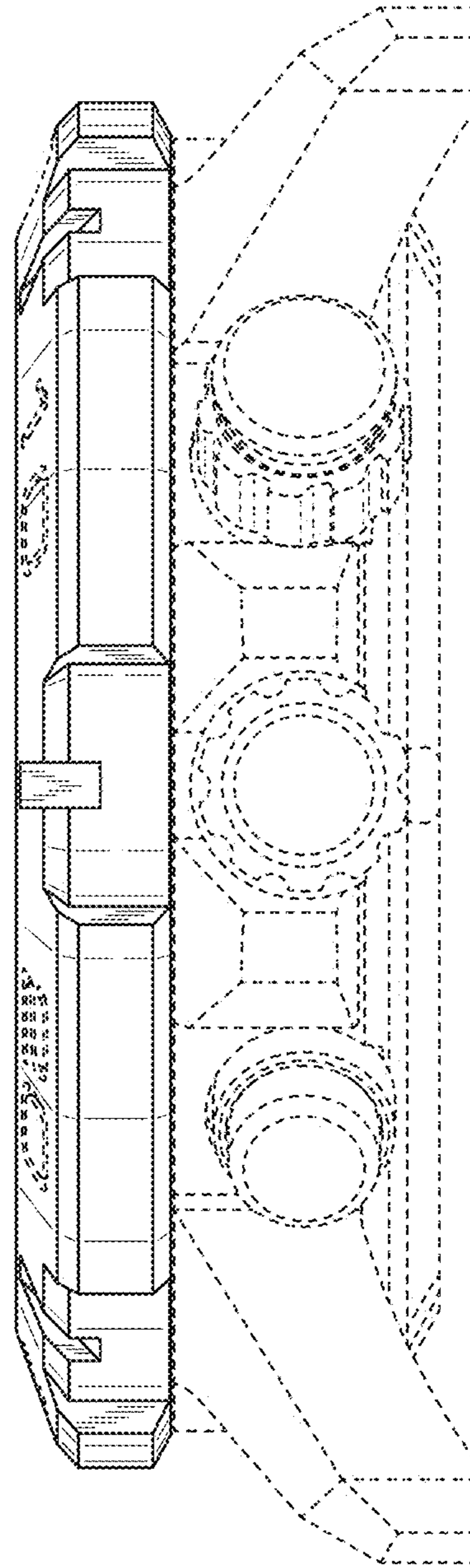


FIG. 5

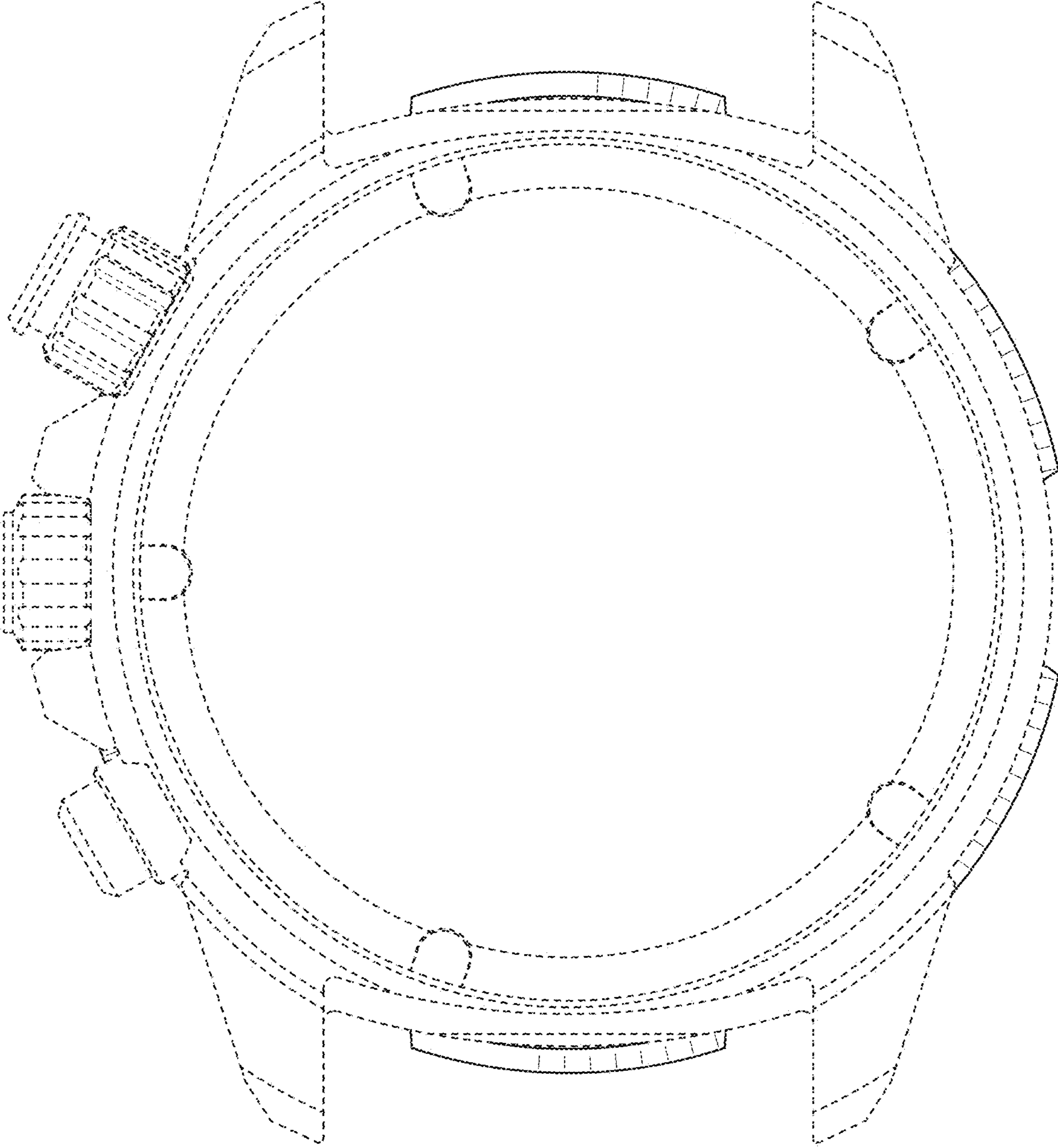


FIG. 6

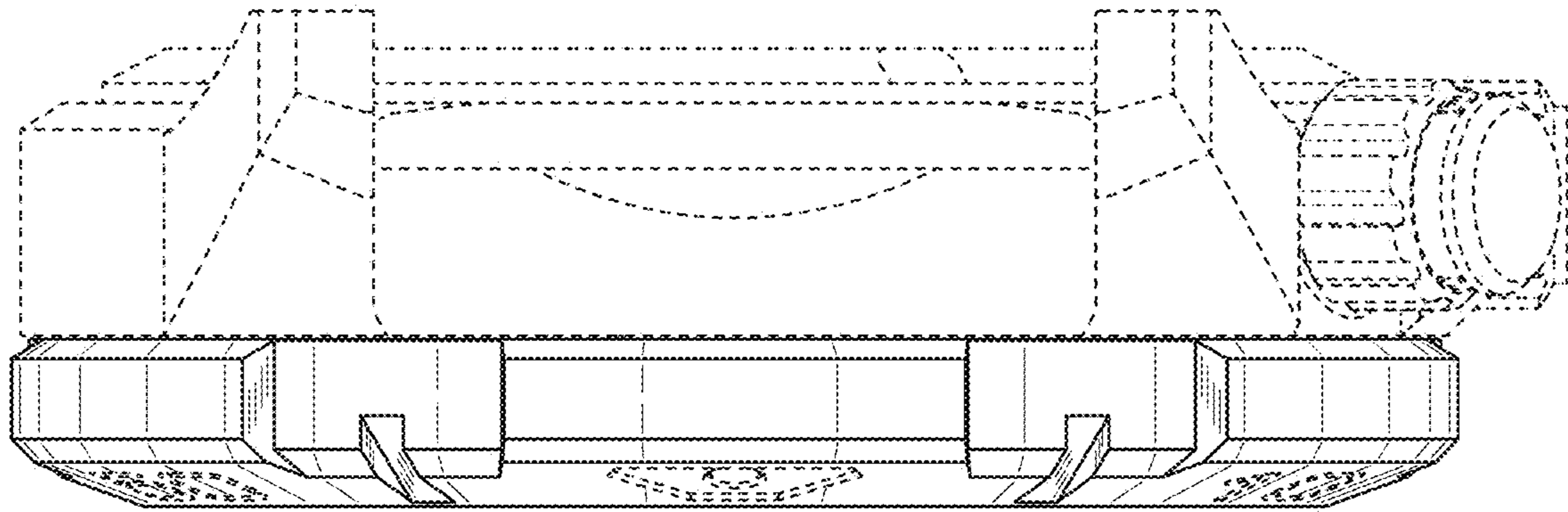


FIG. 7

