

US00D924711S

(12) **United States Design Patent** (10) **Patent No.:** **US D924,711 S**  
**Briehl** (45) **Date of Patent:** **\*\* Jul. 13, 2021**

(54) **BARRIER**  
(71) Applicant: **Breeze Invest GmbH**, Vienna (AT)  
(72) Inventor: **Stephan Briehl**, Rostock (DE)  
(73) Assignee: **Breeze Invest GmbH**, Vienna (AT)  
(\*\*) Term: **15 Years**  
(21) Appl. No.: **29/697,798**  
(22) Filed: **Jul. 11, 2019**

5,527,127 A \* 6/1996 Junker ..... E01F 9/692  
256/13.1  
D452,929 S \* 1/2002 Perelli ..... A24F 19/0071  
D10/109.1  
D462,286 S \* 9/2002 Perelli ..... D10/113.2  
6,454,488 B1 \* 9/2002 Lewis, Sr. .... E01F 15/003  
116/63 R  
D511,389 S 11/2005 Dascenzo  
6,971,329 B1 12/2005 Stewart  
7,325,999 B1 \* 2/2008 Schindler ..... E01F 9/692  
116/63 P  
7,621,691 B2 \* 11/2009 Hannah ..... E01F 9/588  
40/606.01  
7,699,558 B2 \* 4/2010 Adler ..... E01F 9/685  
404/6  
D620,129 S 7/2010 Lundh  
D620,823 S 8/2010 Hannah et al.  
D620,824 S 8/2010 Hannah et al.  
8,277,143 B2 \* 10/2012 Adler ..... E01F 9/685  
404/6  
8,915,040 B2 12/2014 James  
8,925,477 B2 1/2015 Wang  
D766,158 S 9/2016 Martin  
9,683,340 B2 \* 6/2017 Sicking ..... E01F 15/146  
D792,613 S 7/2017 Bar-Or  
10,100,473 B1 10/2018 Van Egmond

**Related U.S. Application Data**

(62) Division of application No. 35/505,152, filed on Jun. 7, 2018 (U.S. filing date under 35 U.S.C. 384), and having an international filing date of Jun. 7, 2018, now Pat. No. Des. 881,733.

**Foreign Application Priority Data**

Dec. 7, 2017 (EP) ..... 004539021

(51) **LOC (13) Cl.** ..... **10-05**  
(52) **U.S. Cl.**  
USPC ..... **D10/113.2**  
(58) **Field of Classification Search**  
USPC ..... D10/113.2, 109.1  
CPC .... A24F 19/0071; E01F 9/692; E01F 15/003;  
E01F 13/02; E01F 15/146; E01F 9/685;  
E01F 9/588  
See application file for complete search history.

**References Cited**

**U.S. PATENT DOCUMENTS**

D252,075 S \* 6/1979 Cory ..... D10/113.2  
4,515,499 A \* 5/1985 Furiate ..... E01F 13/02  
116/63 R

\* cited by examiner

*Primary Examiner* — George D. Kirschbaum  
(74) *Attorney, Agent, or Firm* — Collard & Roe, P.C.

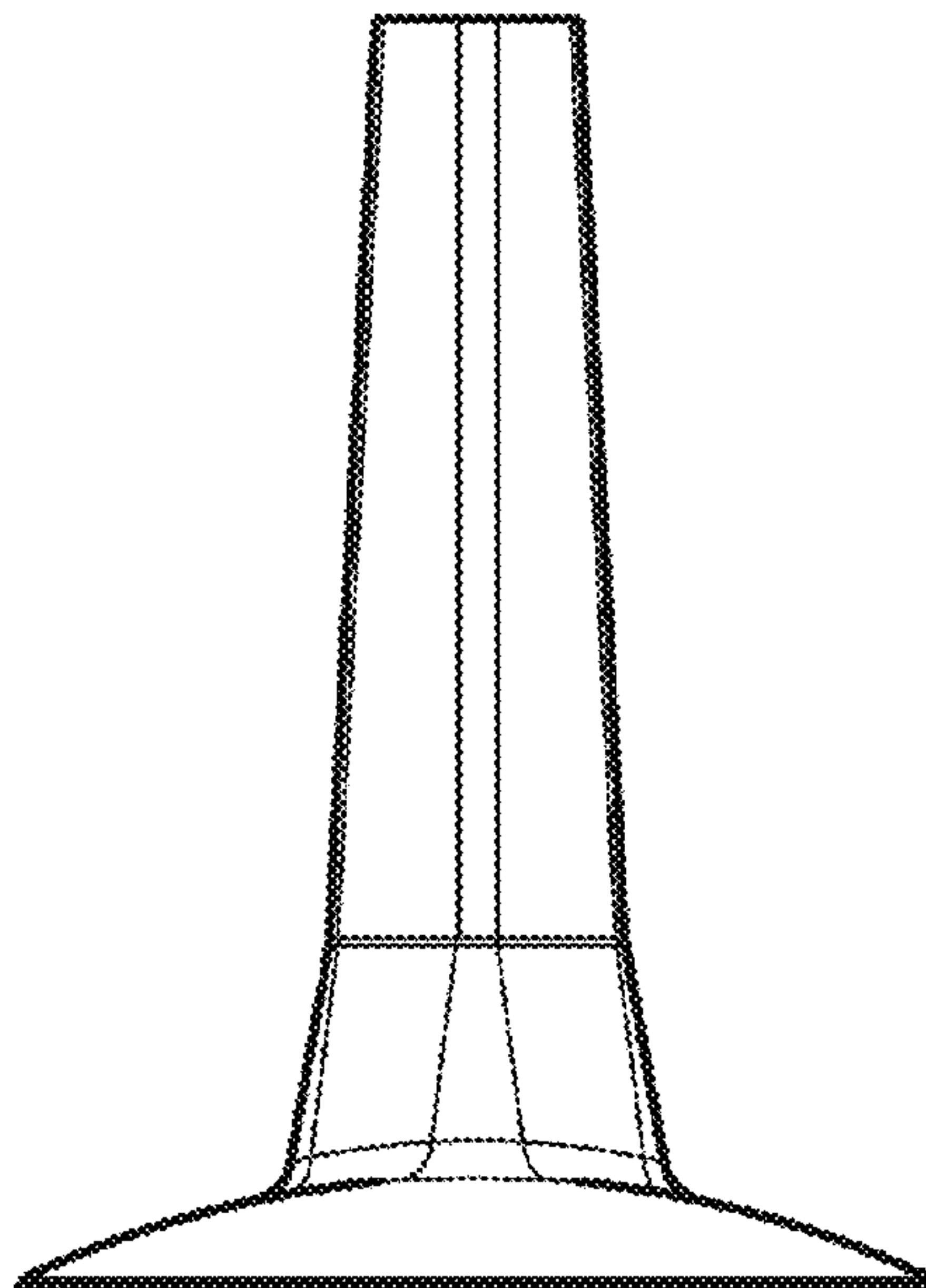
**CLAIM**

(57) The ornamental design for a barrier, as shown and described.

**DESCRIPTION**

FIG. 1 is a left side view of a barrier, showing my new design, with the right side view being identical;  
FIG. 2 is a front view thereof, with the rear view being identical;  
FIG. 3 is a top view thereof; and,  
FIG. 4 is a front, top and right side perspective view thereof.

**1 Claim, 4 Drawing Sheets**



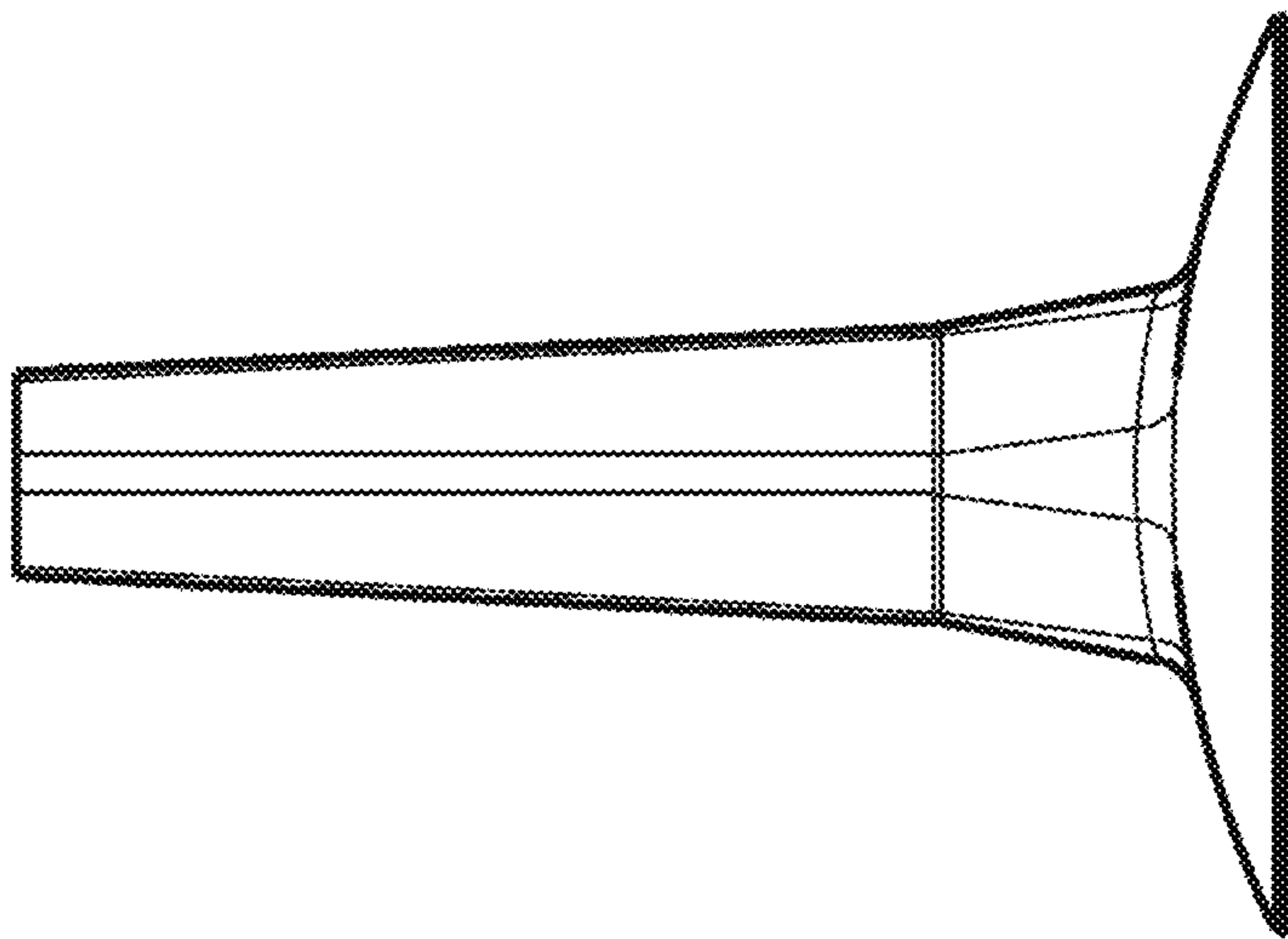


FIG. 1

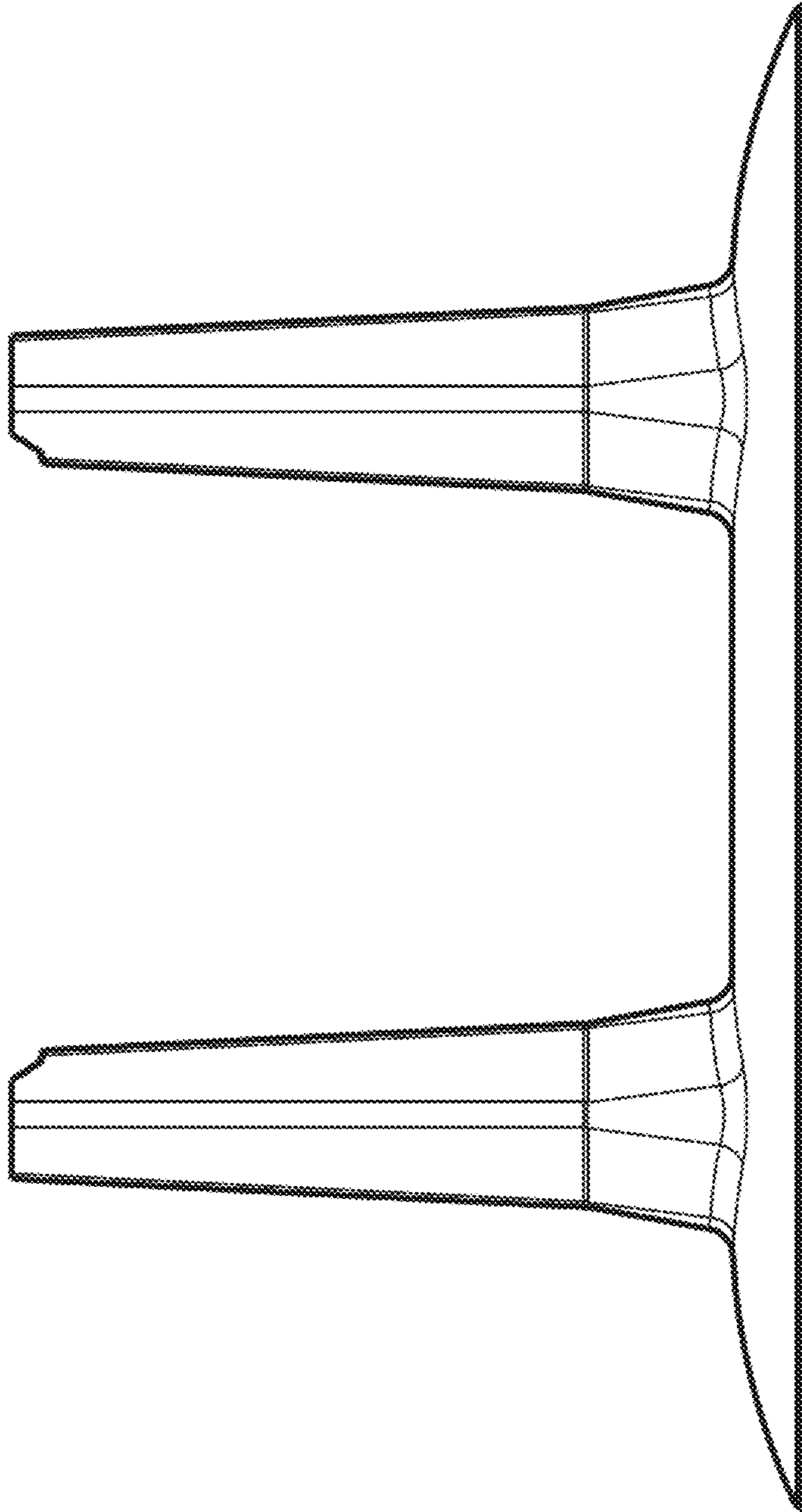


FIG. 2

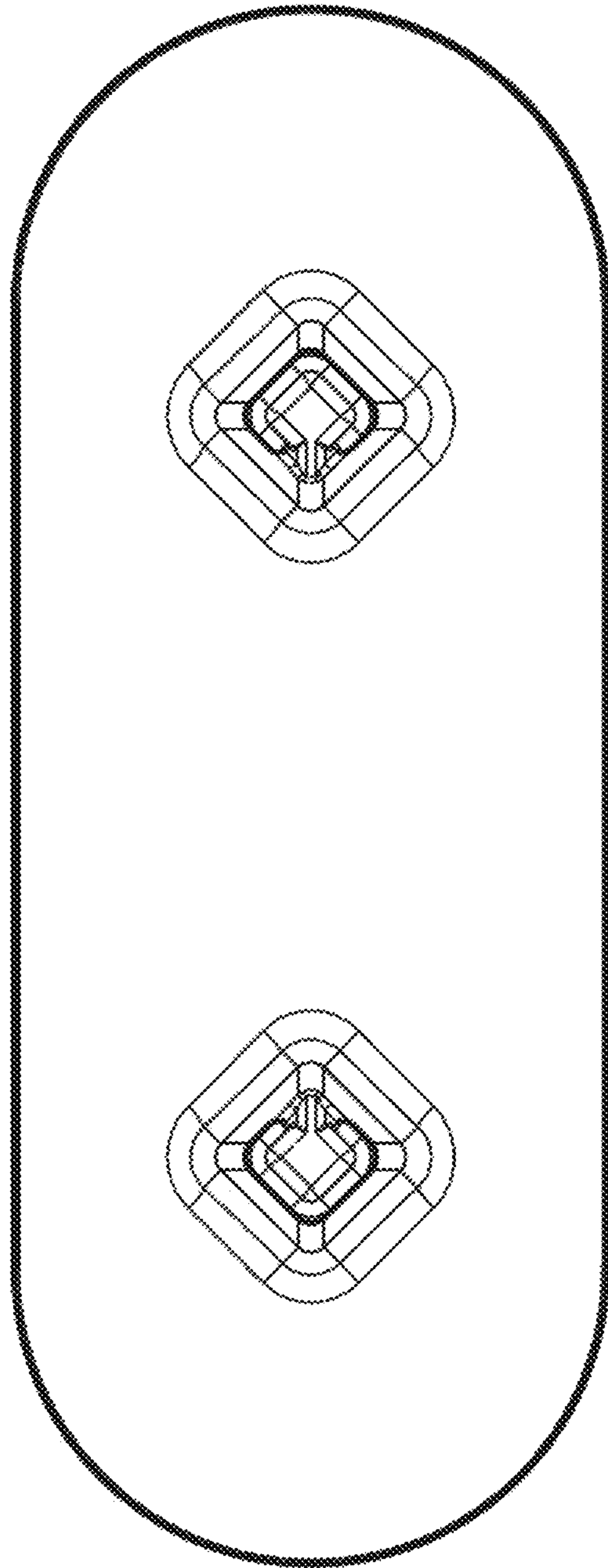


FIG. 3

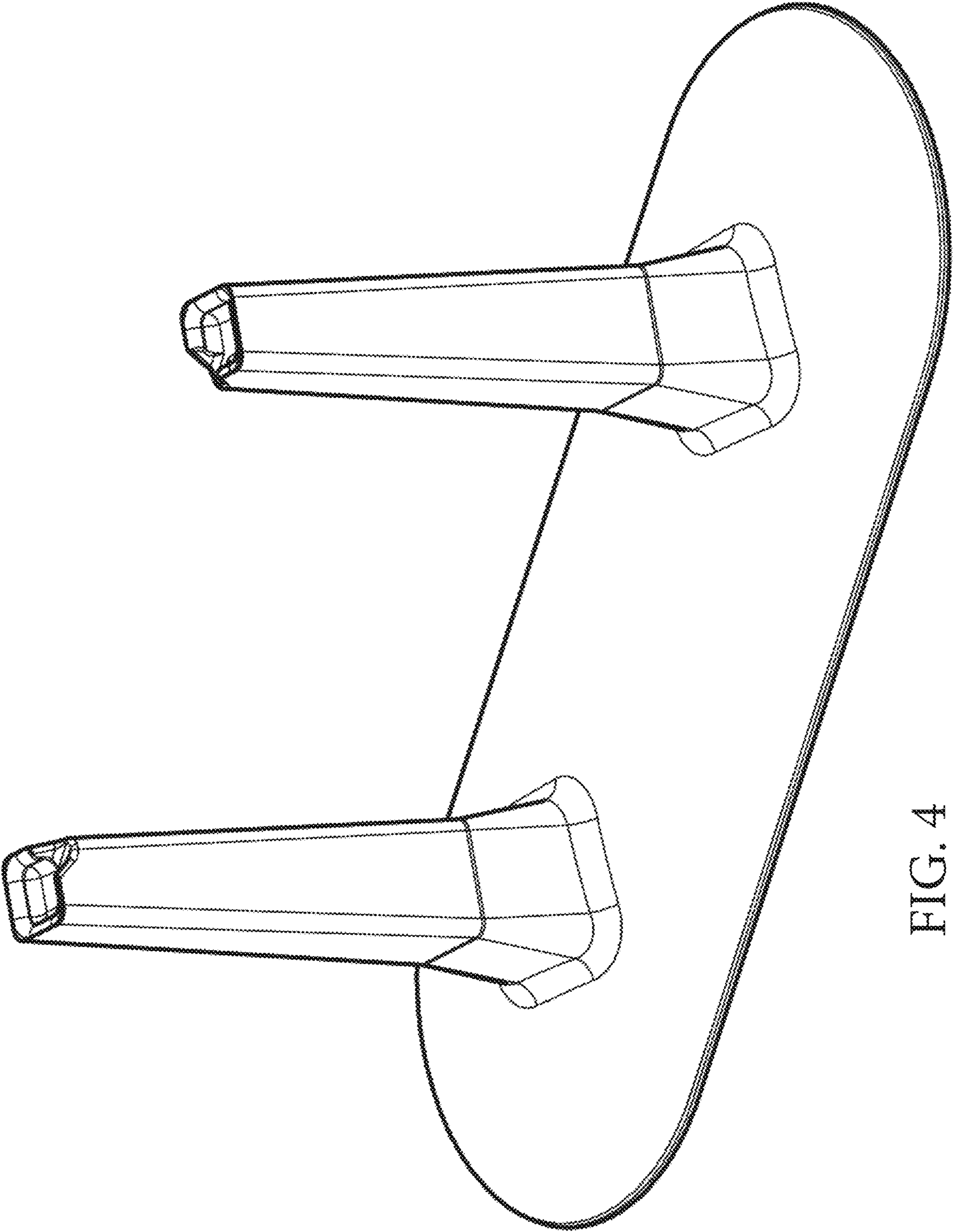


FIG. 4