



US00D924709S

(12) **United States Design Patent**
Marx et al.

(10) **Patent No.:** **US D924,709 S**
(45) **Date of Patent:** **** Jul. 13, 2021**

(54) **CYCLOMETER FOR E-BIKES**
(71) Applicant: **Brose Antriebstechnik GmbH & Co.,**
Berlin (DE)
(72) Inventors: **Christian Marx**, Saarbrücken (DE);
Georg Lamparth, Berlin (DE);
Volkmar Rollenbeck, Bochum (DE)
(73) Assignee: **Brose Antriebstechnik GmbH & Co.,**
Berlin (DE)
(**) Term: **15 Years**
(21) Appl. No.: **29/704,322**
(22) Filed: **Sep. 4, 2019**

D342,911 S * 1/1994 Ueda D10/98
5,335,188 A * 8/1994 Brisson G01P 3/50
702/163
5,644,511 A * 7/1997 McWhorter G01P 1/07
702/148
7,379,798 B2 * 5/2008 Takeda B62J 99/00
701/1
D711,755 S * 8/2014 Dasbach D10/98
D711,757 S * 8/2014 Dasbach D10/103
9,018,940 B2 * 4/2015 Mizutani B62J 6/02
324/163
D732,992 S * 6/2015 Dasbach D10/98
D743,824 S * 11/2015 Lumme D10/98
D796,356 S * 9/2017 Bayley D10/70
D842,737 S * 3/2019 Haag D10/98
D843,867 S * 3/2019 Haag D10/98
D860,022 S * 9/2019 Schumacher A63H 1/00
D10/98
D877,637 S * 3/2020 Haag D10/98

(Continued)

(30) **Foreign Application Priority Data**
Mar. 5, 2019 (EM) 006280228
(51) **LOC (13) Cl.** **10-04**
(52) **U.S. Cl.**
USPC **D10/98; D10/70**
(58) **Field of Classification Search**
USPC D12/111; D10/46, 65, 70, 96, 98;
D24/133, 186
CPC ... G01P 1/04; G01P 1/07; G01P 3/489; G01C
22/002; G01C 22/00; A63B 24/00
See application file for complete search history.

Primary Examiner — Darlington Ly
(74) *Attorney, Agent, or Firm* — Reising Ethington, P.C.

(57) **CLAIM**

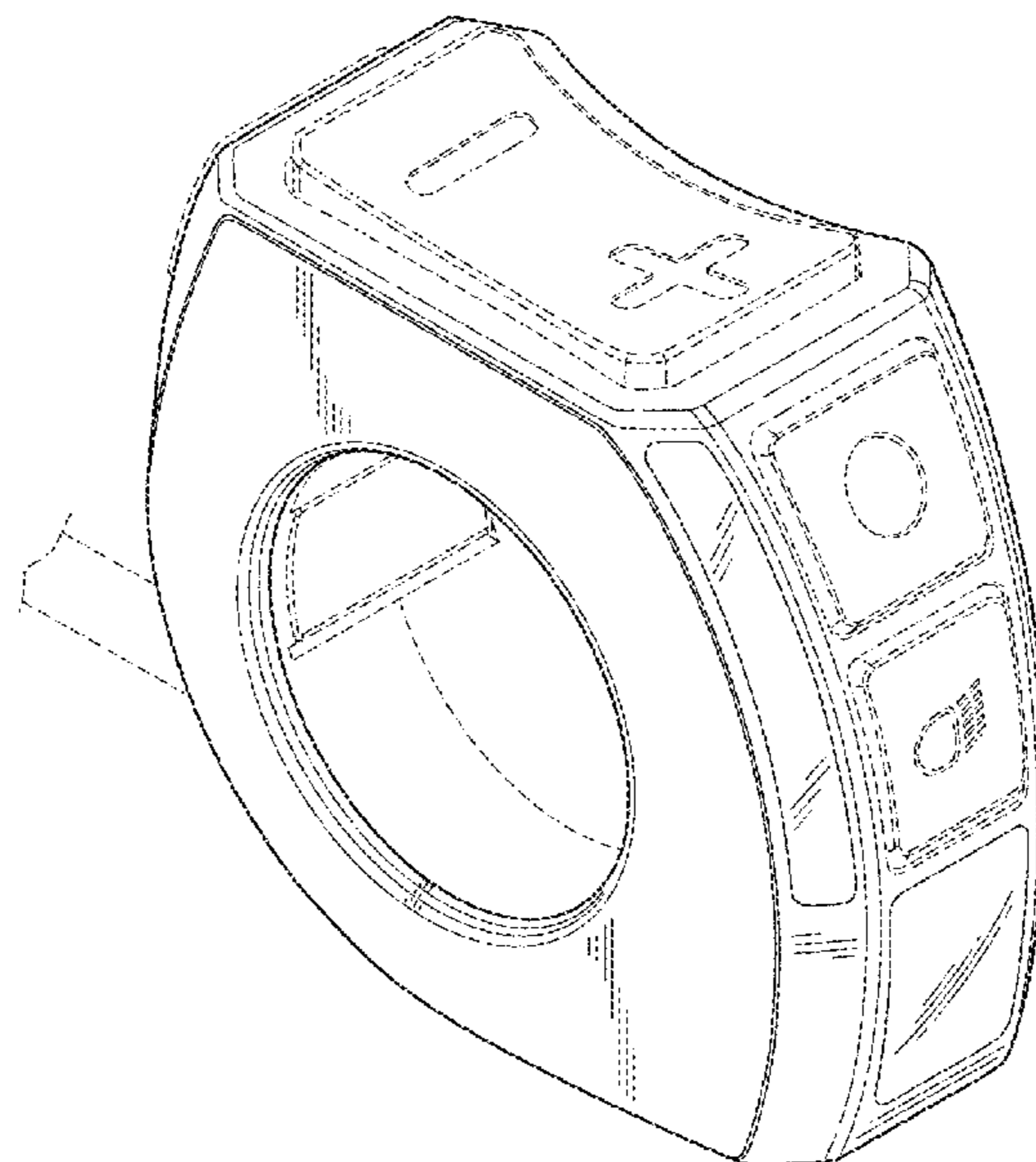
The ornamental design for a cyclometer for e-bikes, as shown and described.

DESCRIPTION

FIG. 1 is a top, front, and left side perspective view of a cyclometer for e-bikes embodying our new design; FIG. 2 is a front elevation view thereof; FIG. 3 is a rear elevation view thereof; FIG. 4 is a top plan view thereof; FIG. 5 is a bottom plan view thereof; FIG. 6 is a left side elevation view thereof; FIG. 7 is a right side elevation view thereof; and, FIG. 8 is a rear, top, and right side perspective view thereof. The broken lines in the drawings illustrate portions of the cyclometer for e-bikes that form no part of the claimed design.

(56) **References Cited**
U.S. PATENT DOCUMENTS
3,848,339 A * 11/1974 Strasbaugh G01B 3/24
33/507
D268,486 S * 4/1983 Huret D10/70
D310,495 S * 9/1990 Kagayama D10/98
D319,597 S * 9/1991 Kagayama D10/98
D319,988 S * 9/1991 Ueda D10/96
D334,720 S * 4/1993 Ueda D10/98

1 Claim, 4 Drawing Sheets



(56)

References Cited

U.S. PATENT DOCUMENTS

D884,502 S * 5/2020 Kivela D10/70
D885,222 S * 5/2020 Haag D10/98

* cited by examiner

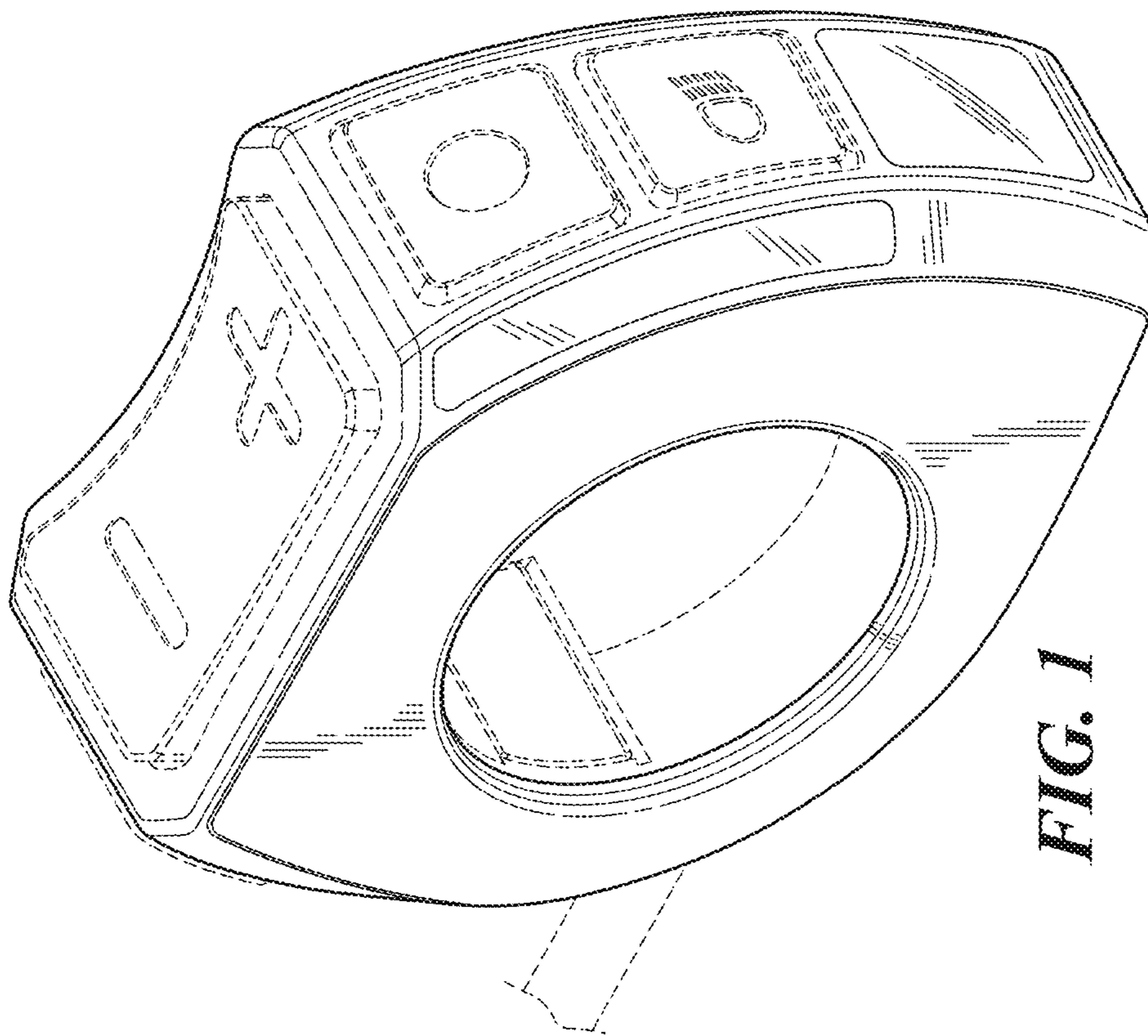


FIG. 1

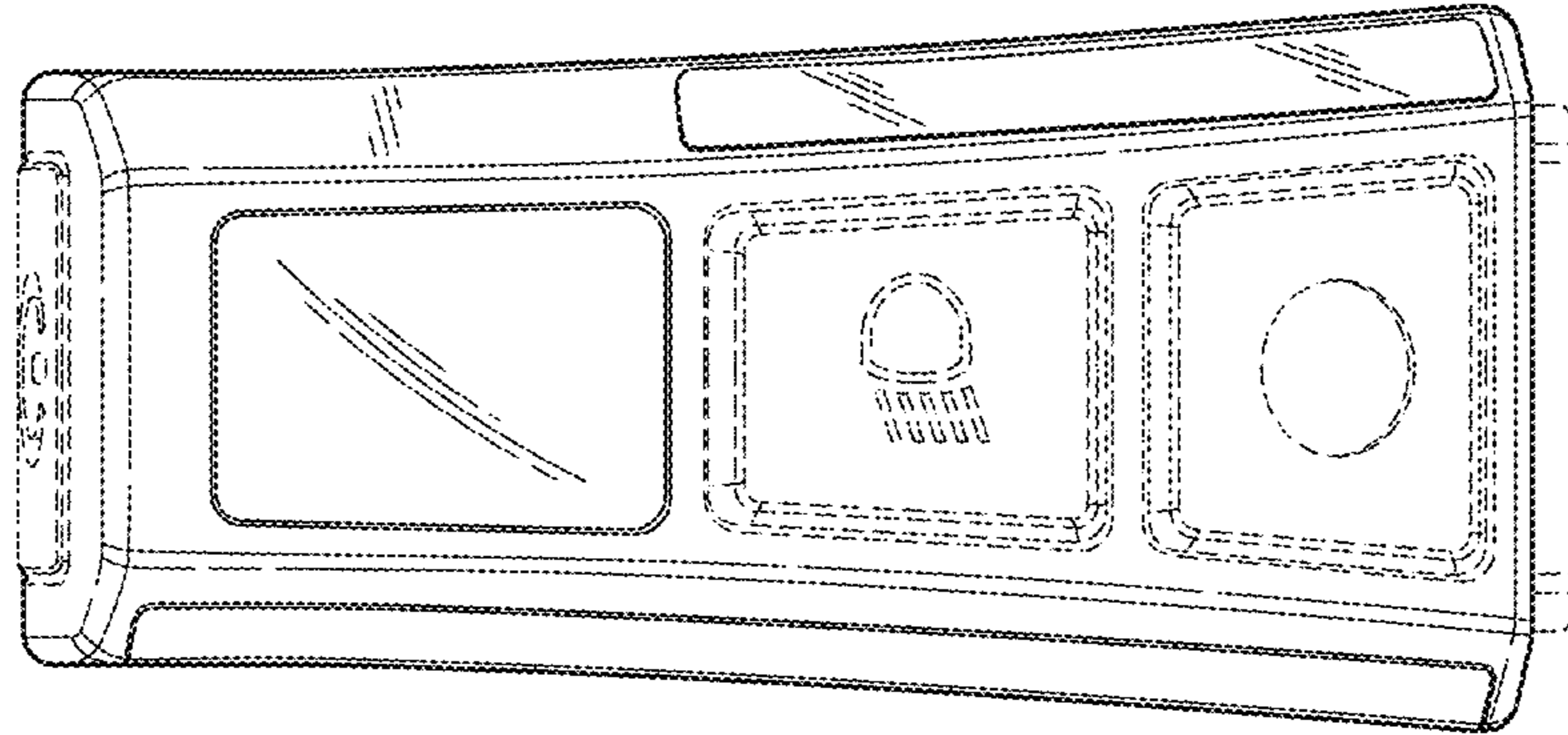


FIG. 4

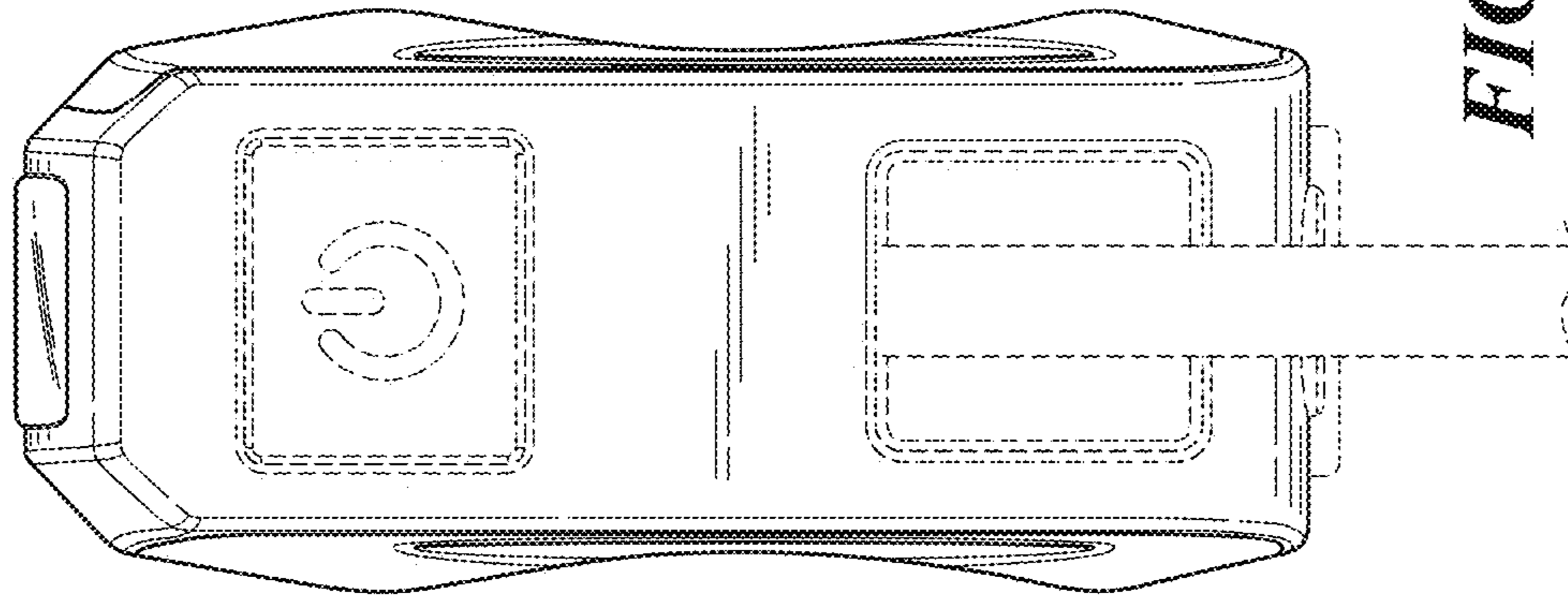


FIG. 3

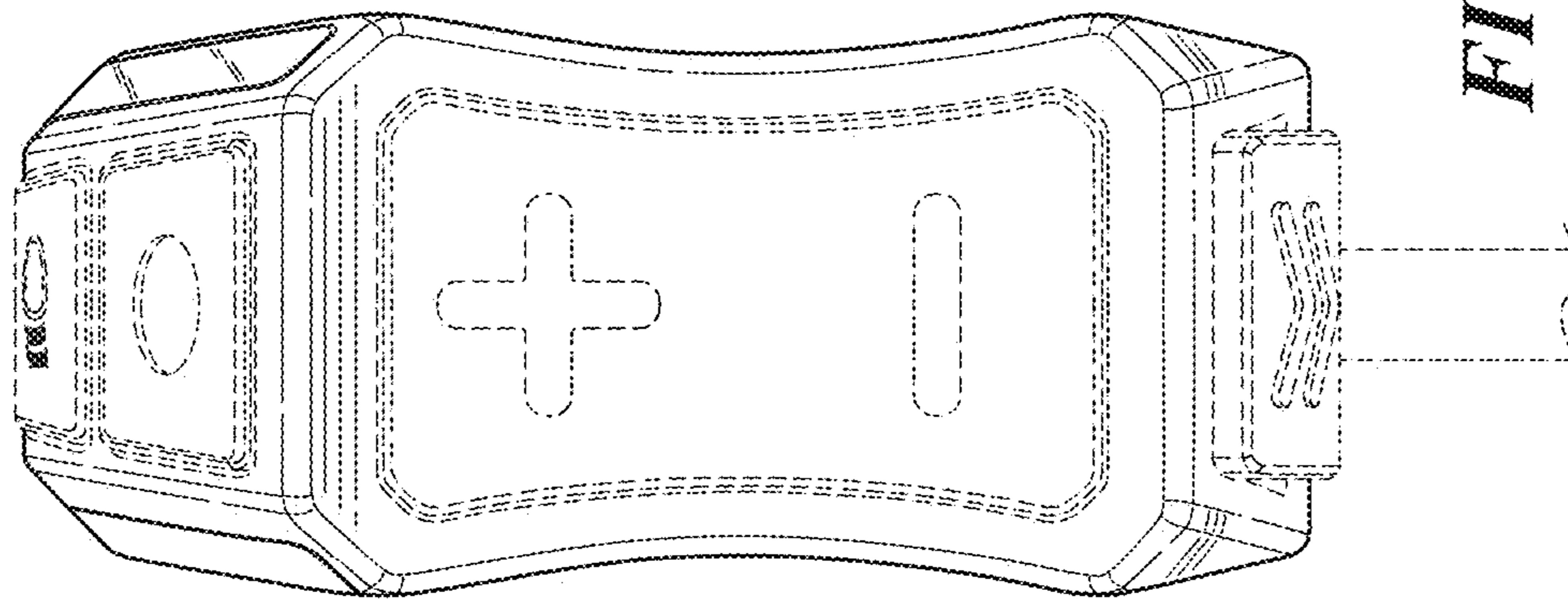


FIG. 2

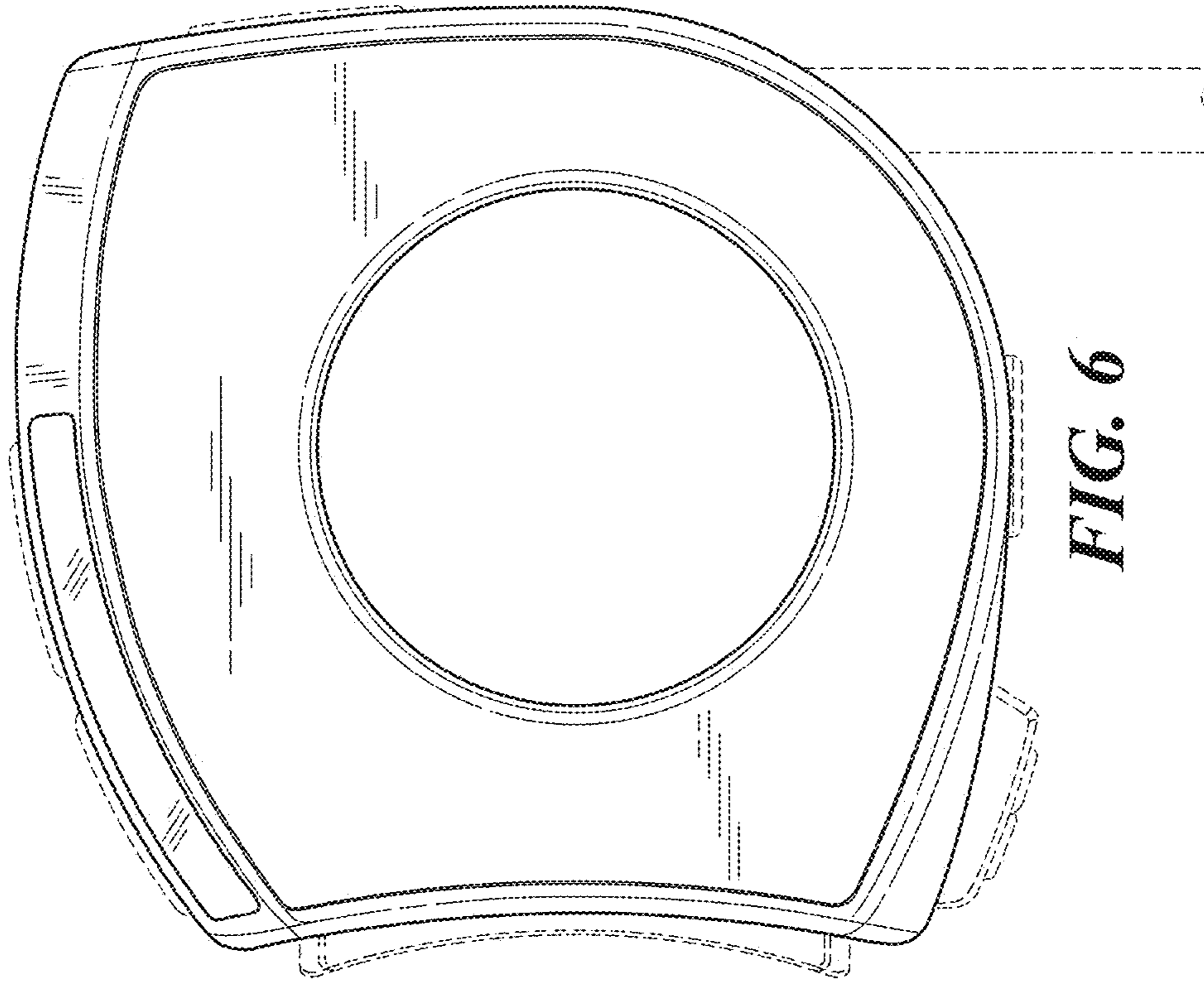


FIG. 6

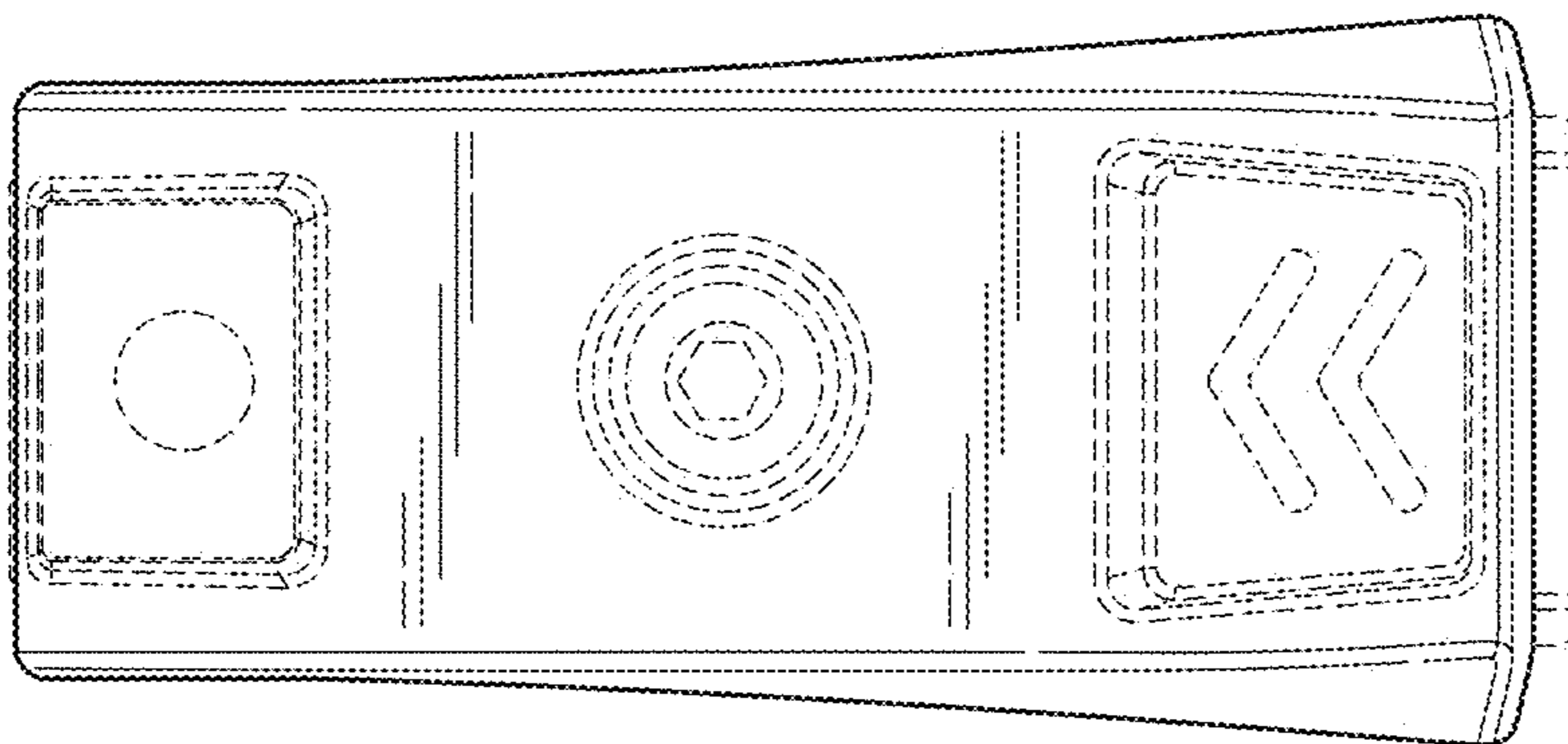


FIG. 5

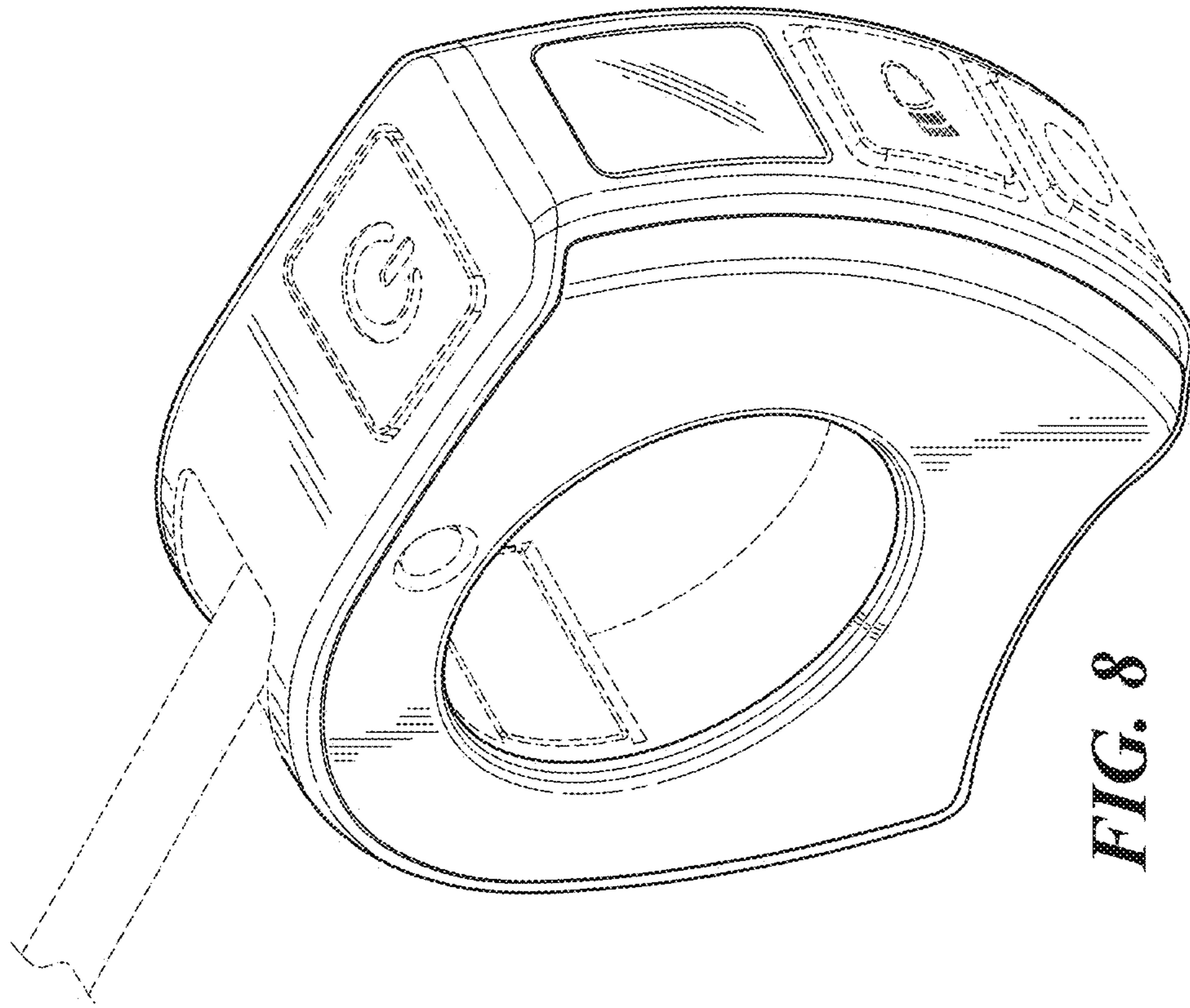


FIG. 8

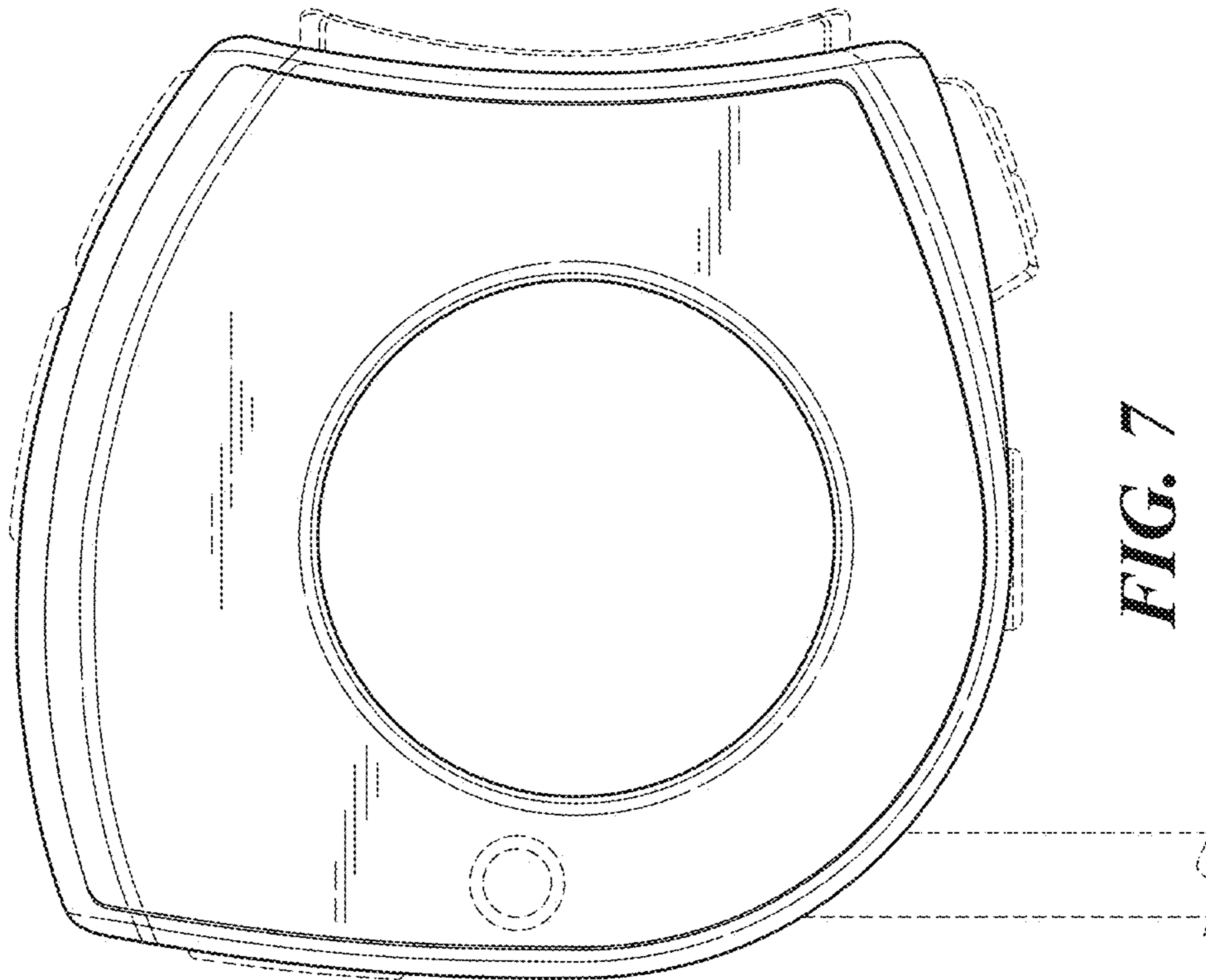


FIG. 7