



US00D924707S

(12) **United States Design Patent** (10) **Patent No.:** **US D924,707 S**  
**Sherman et al.** (45) **Date of Patent:** **\*\* Jul. 13, 2021**

(54) **AIR CONDITIONING REFRIGERANT CHARGING DEVICE WITH DIGITAL GAUGE**

*Primary Examiner* — Antoine Duval Davis  
(74) *Attorney, Agent, or Firm* — Armstrong Teasdale LLP

(71) Applicant: **ENERGIZER AUTO, INC.**, St. Louis, MO (US)

(57) **CLAIM**

The ornamental design for an air conditioning refrigerant charging device with digital gauge, as shown and described.

(72) Inventors: **Michael K. Sherman**, Southbury, CT (US); **Kenneth A. Pfierman**, West Chester, OH (US); **Tushar Kulkarni**, Englewood, OH (US); **Jacob Fahsbender**, Danbury, CT (US)

**DESCRIPTION**

(73) Assignee: **Energizer Auto, Inc.**, St. Louis, MO (US)

(\*\*) Term: **15 Years**

(21) Appl. No.: **29/690,668**

(22) Filed: **May 9, 2019**

(51) **LOC (13) Cl.** ..... **10-04**

(52) **U.S. Cl.**  
USPC ..... **D10/84**

(58) **Field of Classification Search**  
USPC ..... D10/83, 84, 85  
CPC ..... F25B 45/00; F25B 2345/001; F25B 2345/002; F25B 2345/006; F25B 2700/04; F25B 2700/19; Y10S 62/22  
See application file for complete search history.

FIG. 1 is a front perspective view of a first embodiment of an air conditioning refrigerant charging device with digital gauge in accordance with the claimed design; FIG. 2 is a left side elevation view thereof; FIG. 3 is a right side elevation view thereof; FIG. 4 is a top view thereof; FIG. 5 is a bottom view thereof; FIG. 6 is a rear elevation thereof; and FIG. 7 is a front elevation view thereof. FIG. 8 is a front perspective view of a second embodiment of an air conditioning refrigerant charging device with digital gauge in accordance with the claimed design; FIG. 9 is a left side elevation view thereof; FIG. 10 is a right side elevation view thereof; FIG. 11 is a top view thereof; FIG. 12 is a bottom view thereof; FIG. 13 is a rear elevation thereof; and FIG. 14 is a front elevation view thereof. FIG. 15 is a front perspective view of a third embodiment of an air conditioning refrigerant charging device with digital gauge in accordance with the claimed design; FIG. 16 is a left side elevation view thereof; FIG. 17 is a right side elevation view thereof; FIG. 18 is a top view thereof; FIG. 19 is a bottom view thereof; FIG. 20 is a rear elevation thereof; and FIG. 21 is a front elevation view thereof. The broken lines in the FIGURES represent unclaimed subject matter and form no part of the claimed design.

(56) **References Cited**

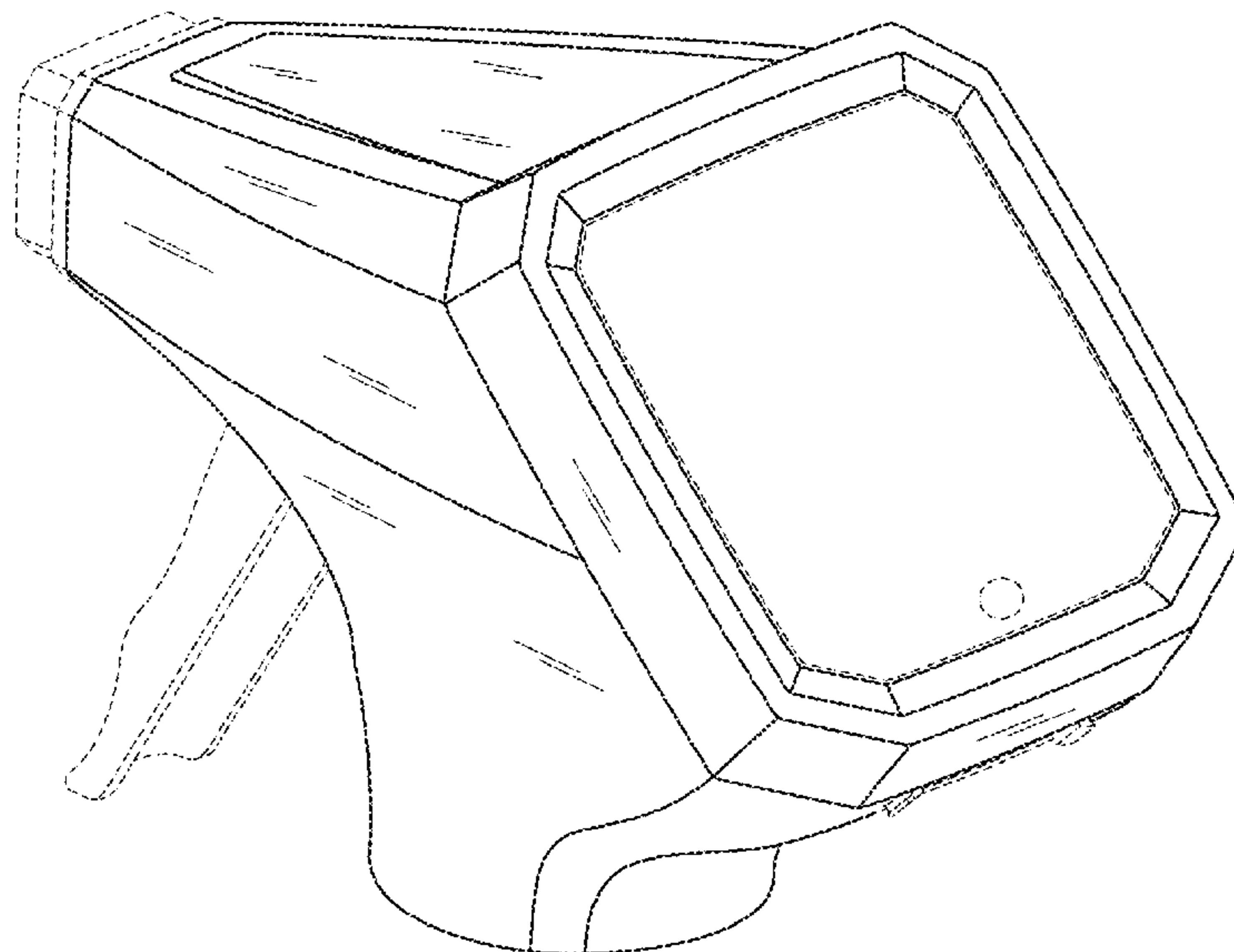
**U.S. PATENT DOCUMENTS**

D263,125 S \* 2/1982 Taylor ..... D10/85  
D467,941 S 12/2002 Duncan  
D467,942 S 12/2002 Duncan  
(Continued)

**OTHER PUBLICATIONS**

Unpublished U.S. Appl. No. 29/690,674, filed May 9, 2019 (Not attached).

**1 Claim, 21 Drawing Sheets**



(56)

**References Cited**

U.S. PATENT DOCUMENTS

6,539,988 B1 *	4/2003	Cowan .....	B60H 1/00585 137/614.04
D506,154 S	6/2005	Cowan et al.	
D511,307 S *	11/2005	Cowan .....	D10/85
8,181,665 B2 *	5/2012	Pearl, II .....	F25B 45/00 137/240
8,301,403 B2 *	10/2012	Weick .....	F25B 45/00 702/50
D747,988 S	1/2016	Matsumiya et al.	
D790,379 S	6/2017	Matsumiya et al.	
D813,698 S	3/2018	Zhu	
D817,794 S	5/2018	Manning et al.	
D843,330 S	3/2019	Oe	
D845,799 S	4/2019	Wurts et al.	

\* cited by examiner

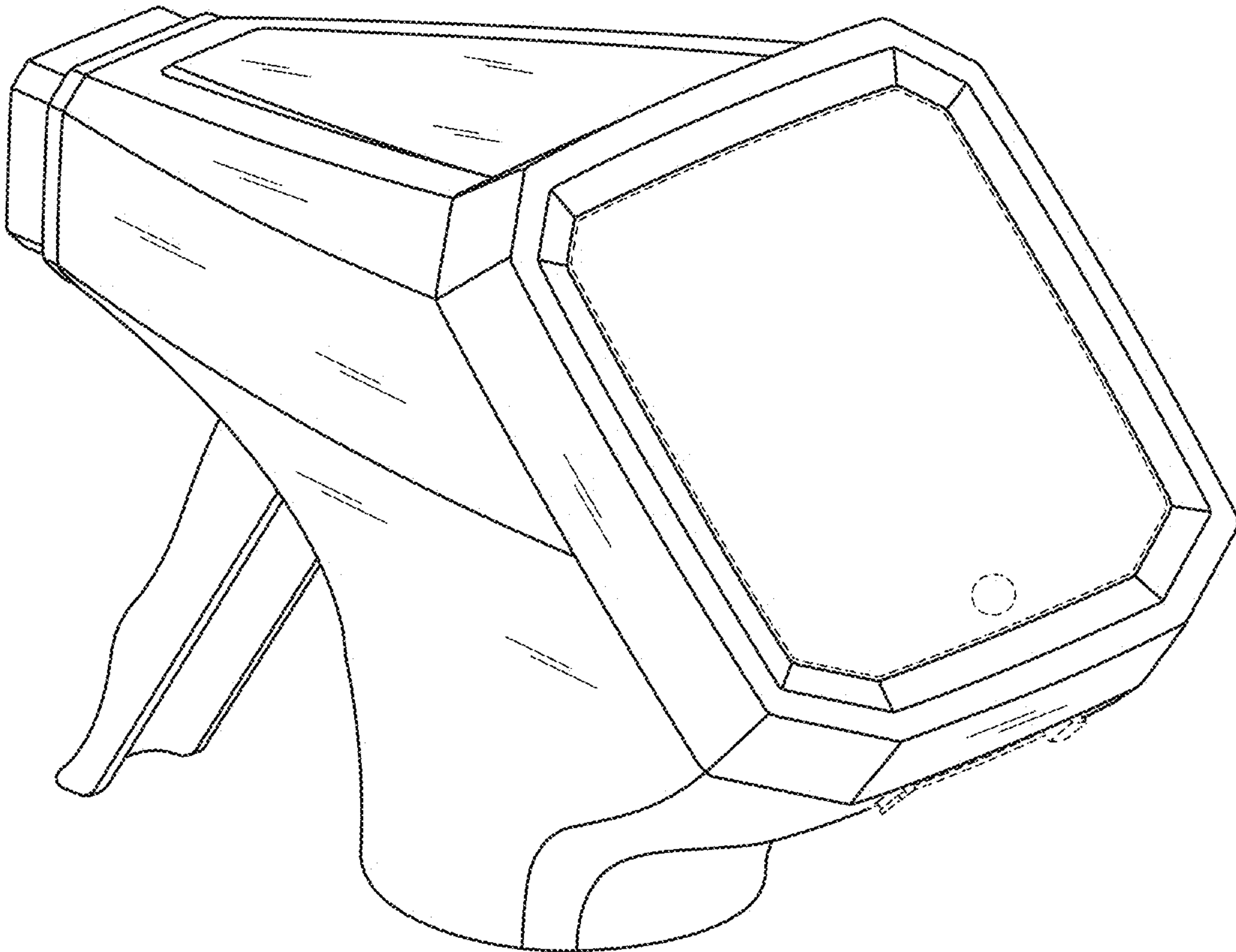


FIG. 1

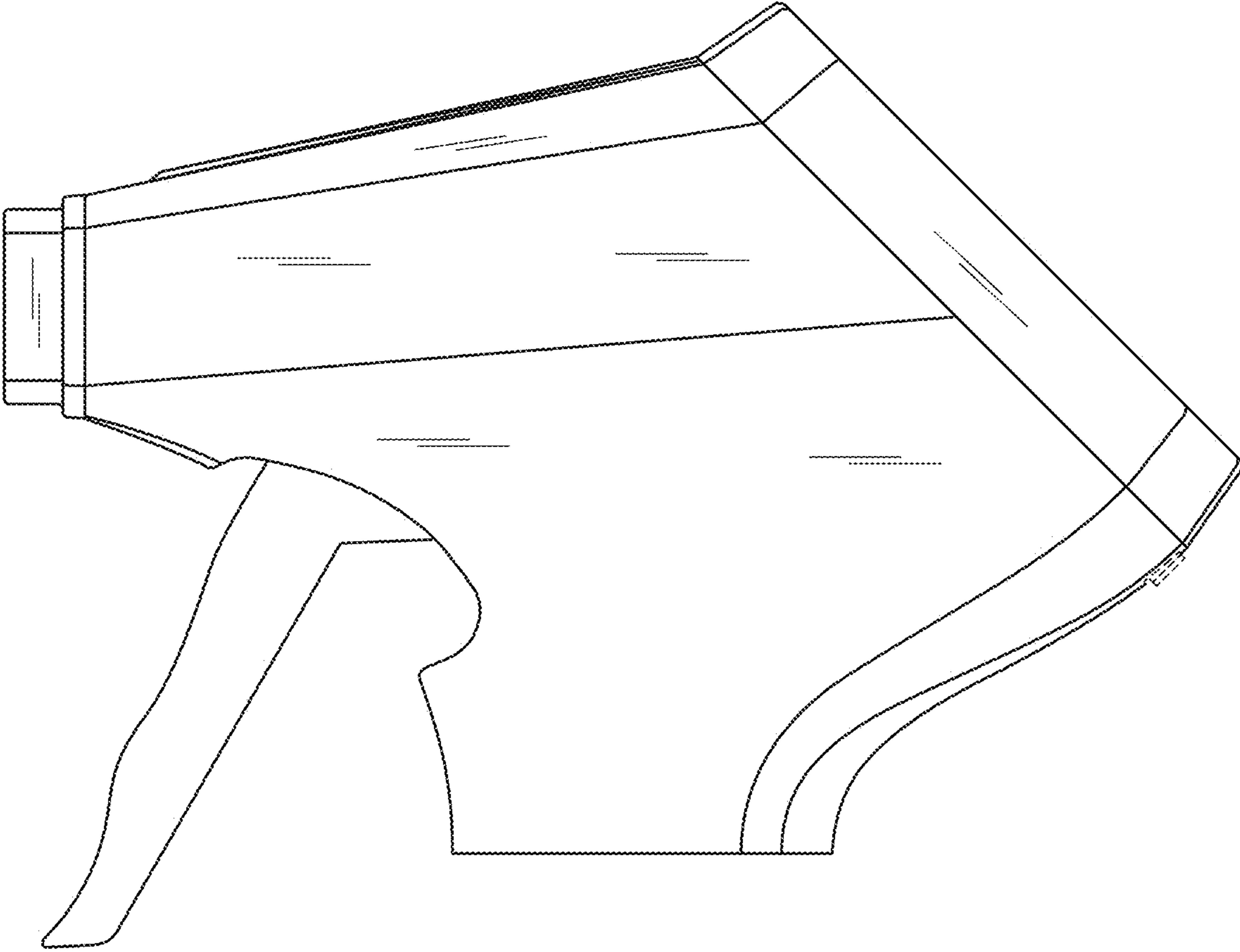
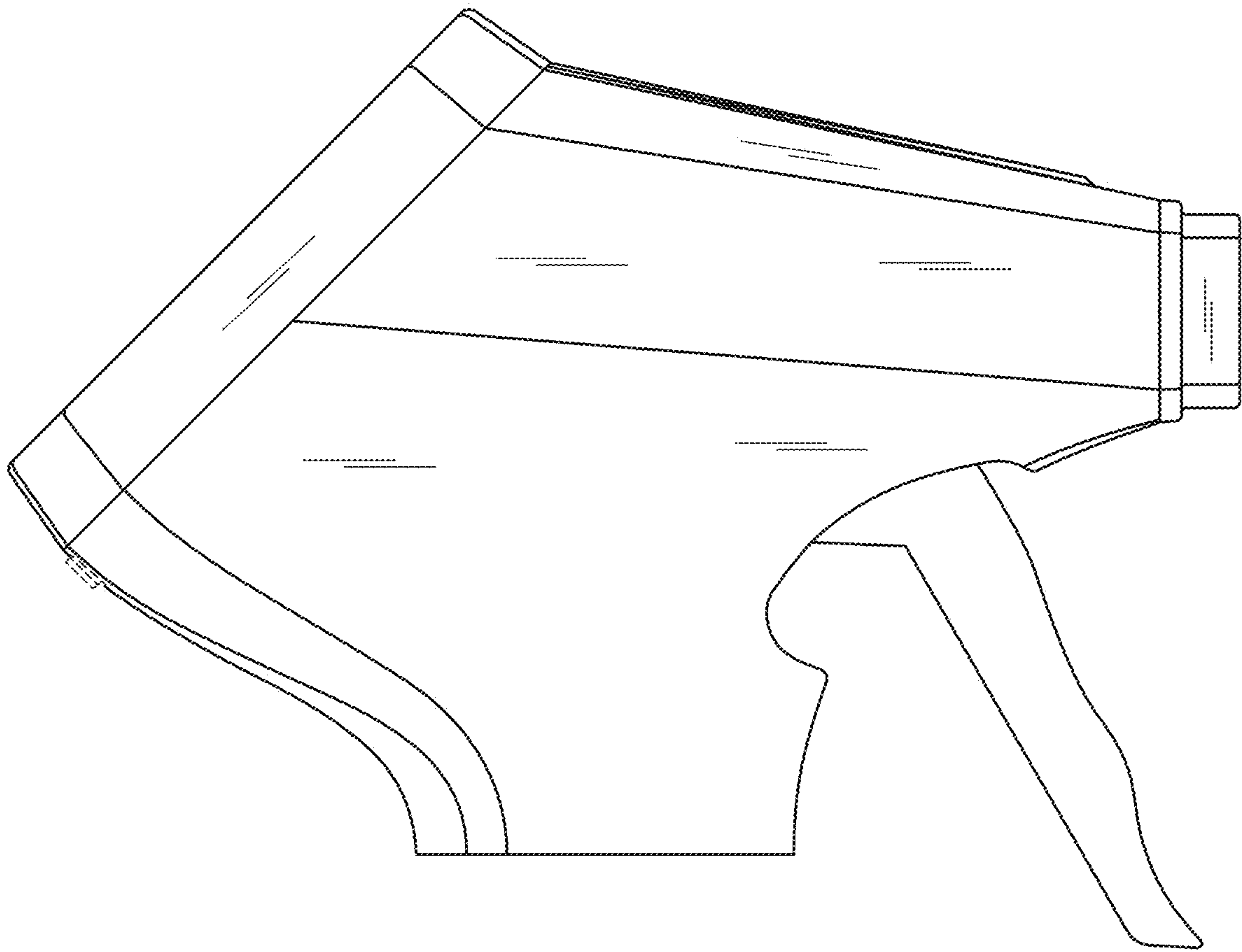
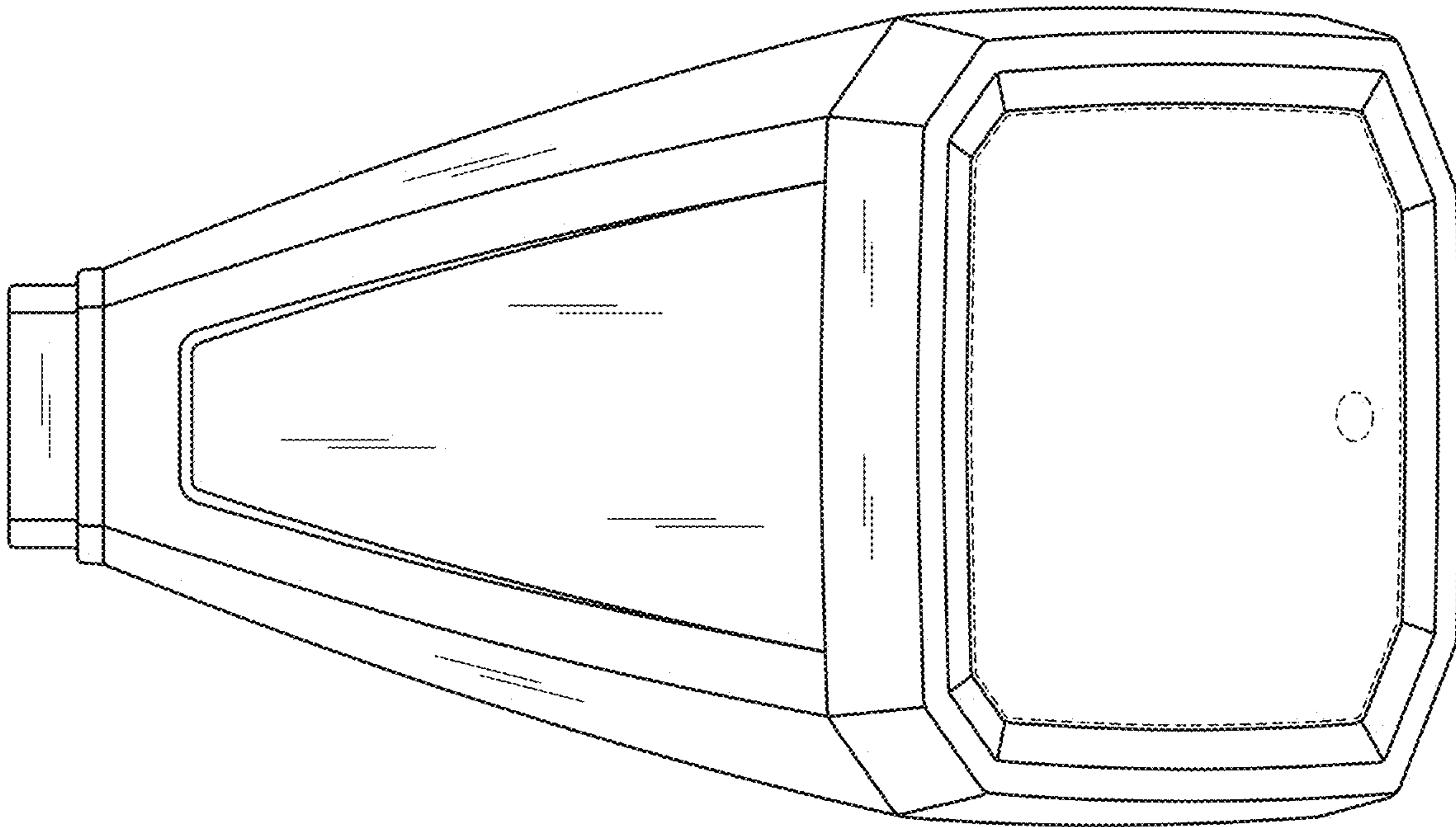


FIG. 2



**FIG. 3**





**FIG. 4**

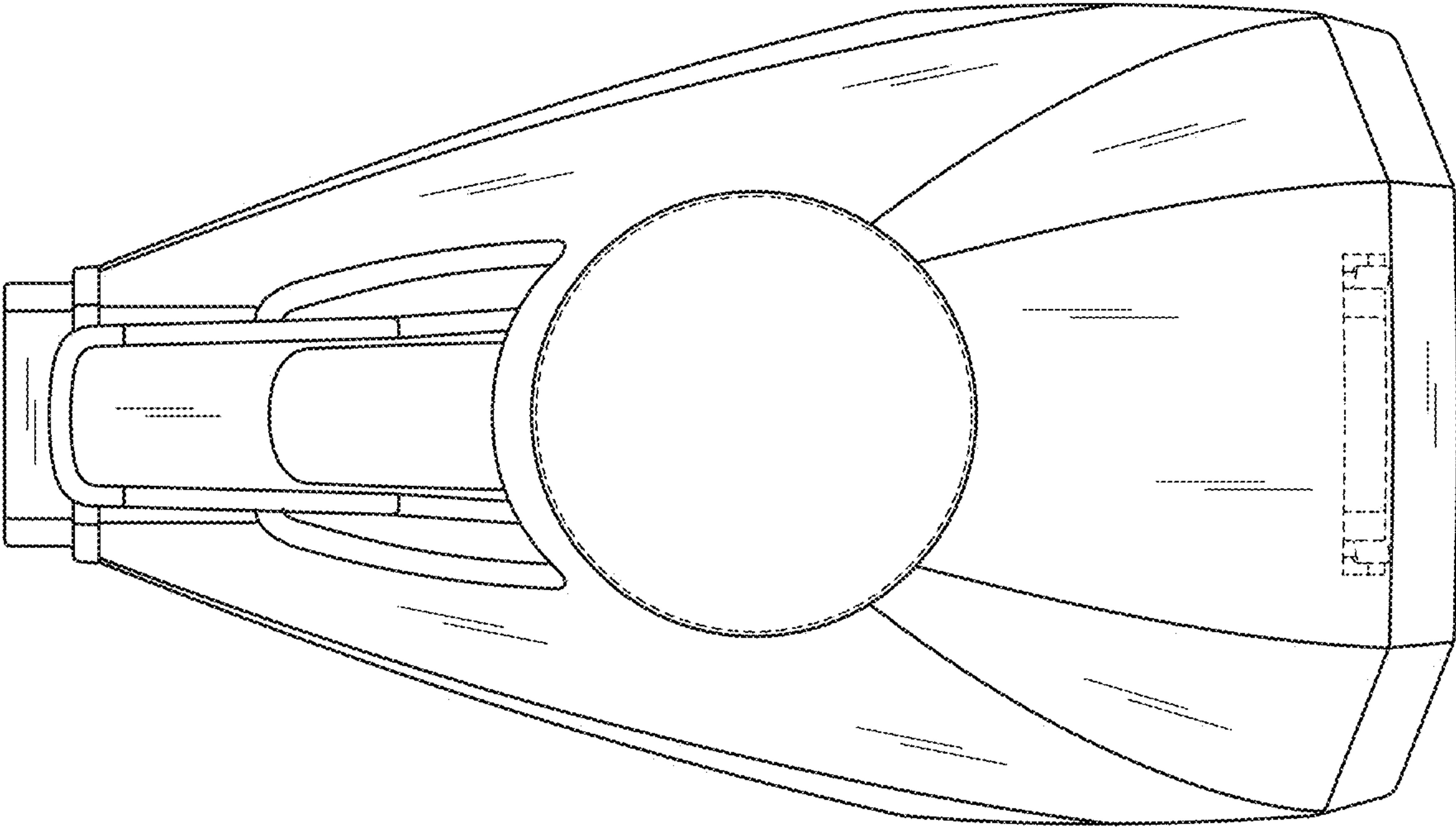
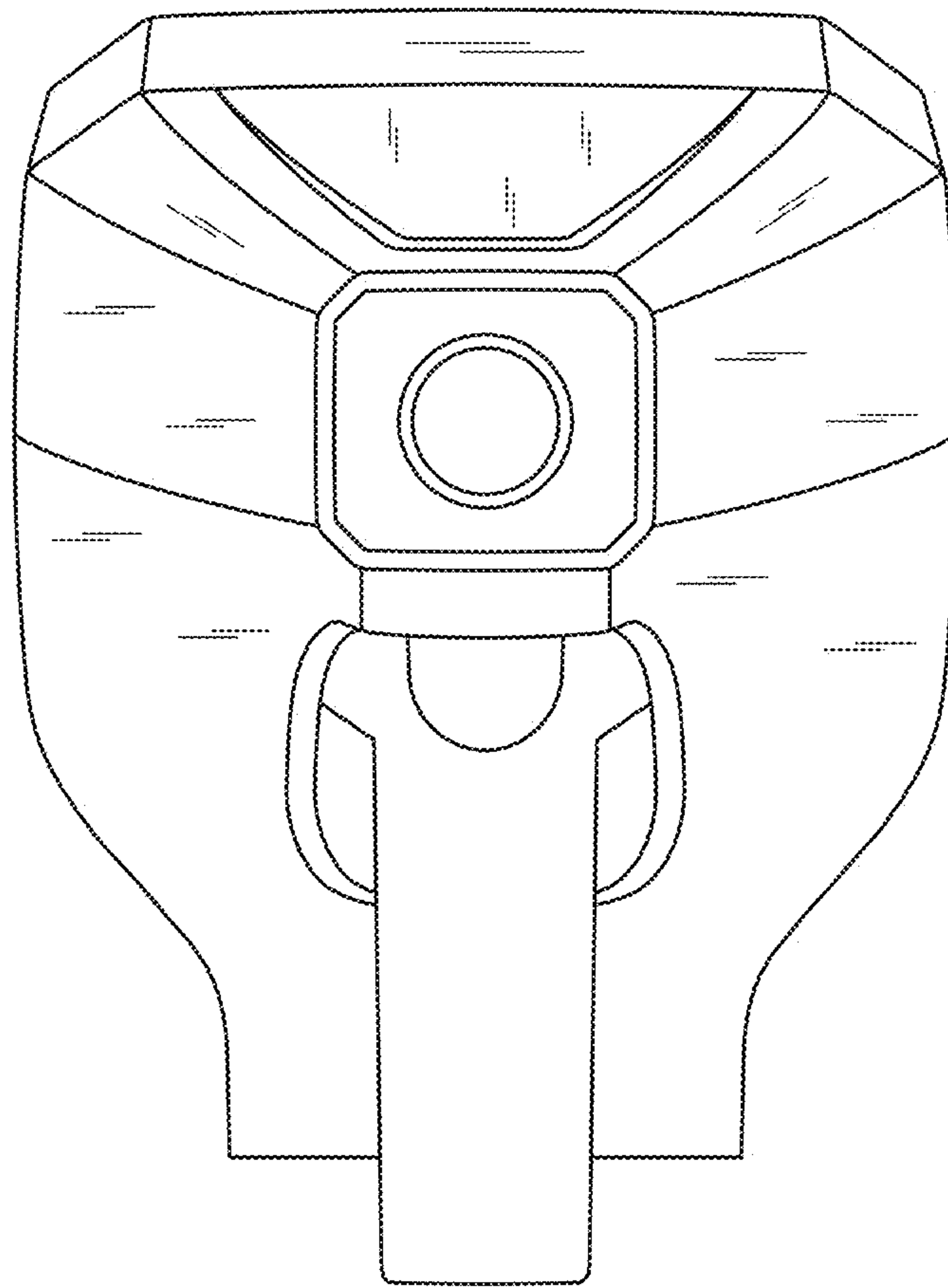
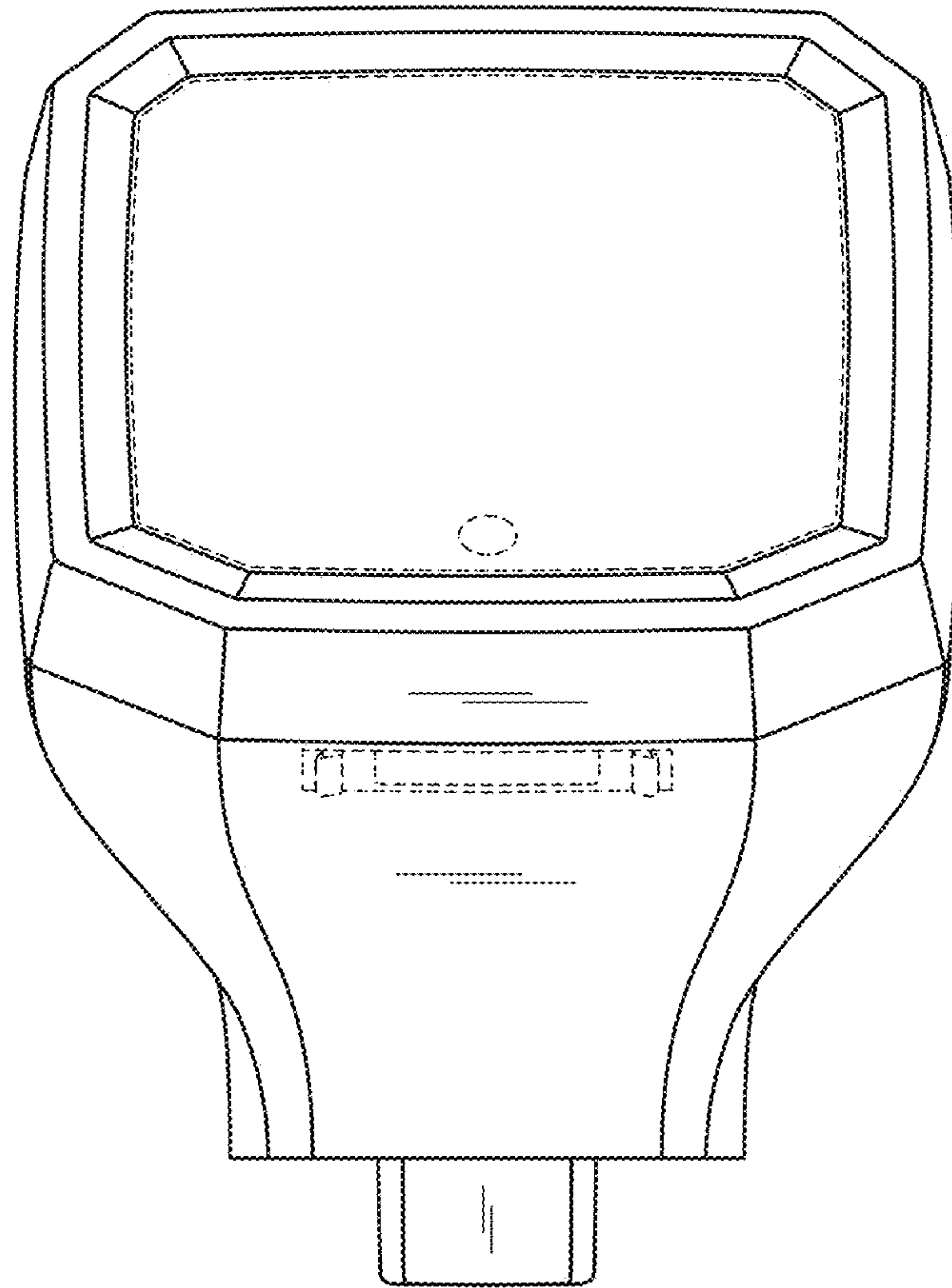


FIG. 5



**FIG. 6**





**FIG. 7**

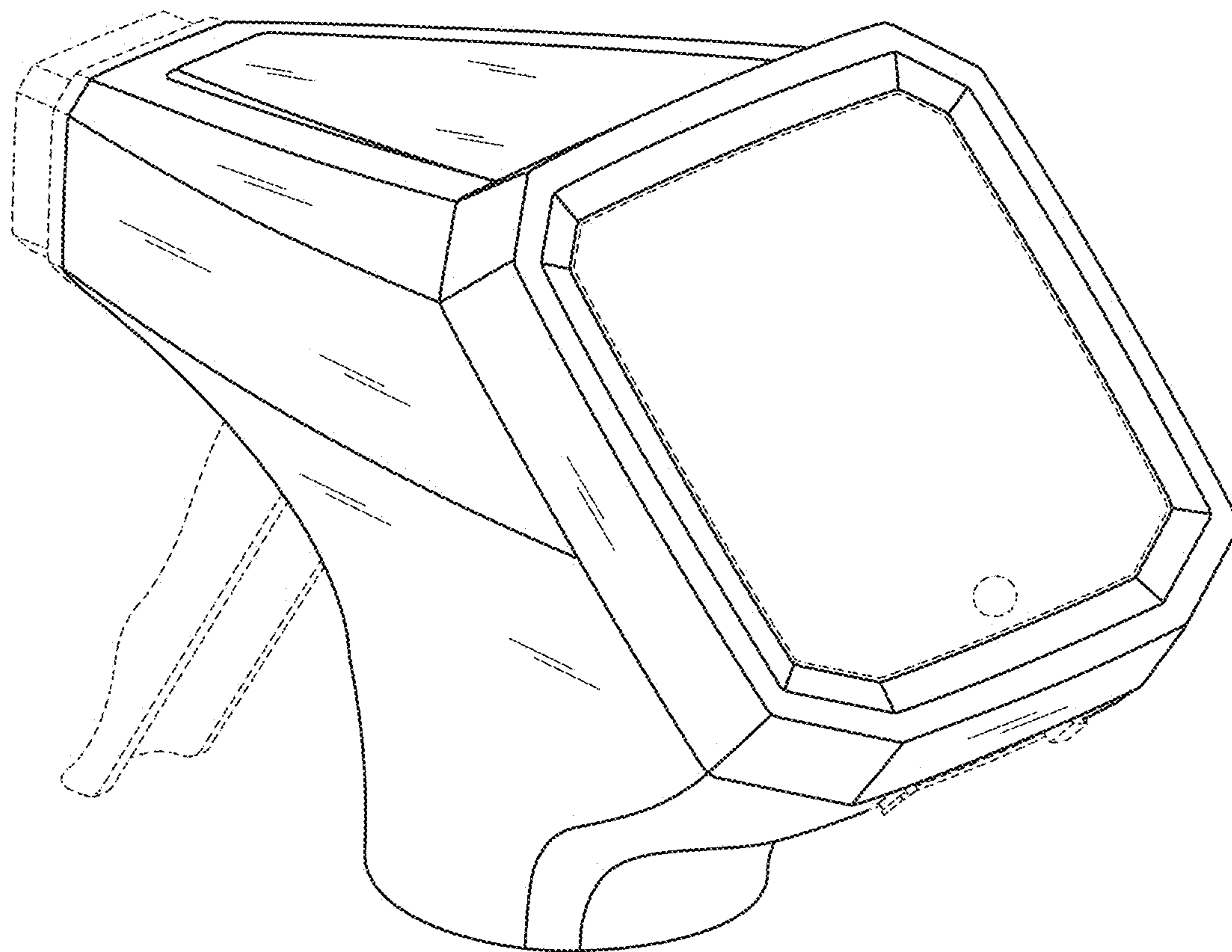


FIG. 8

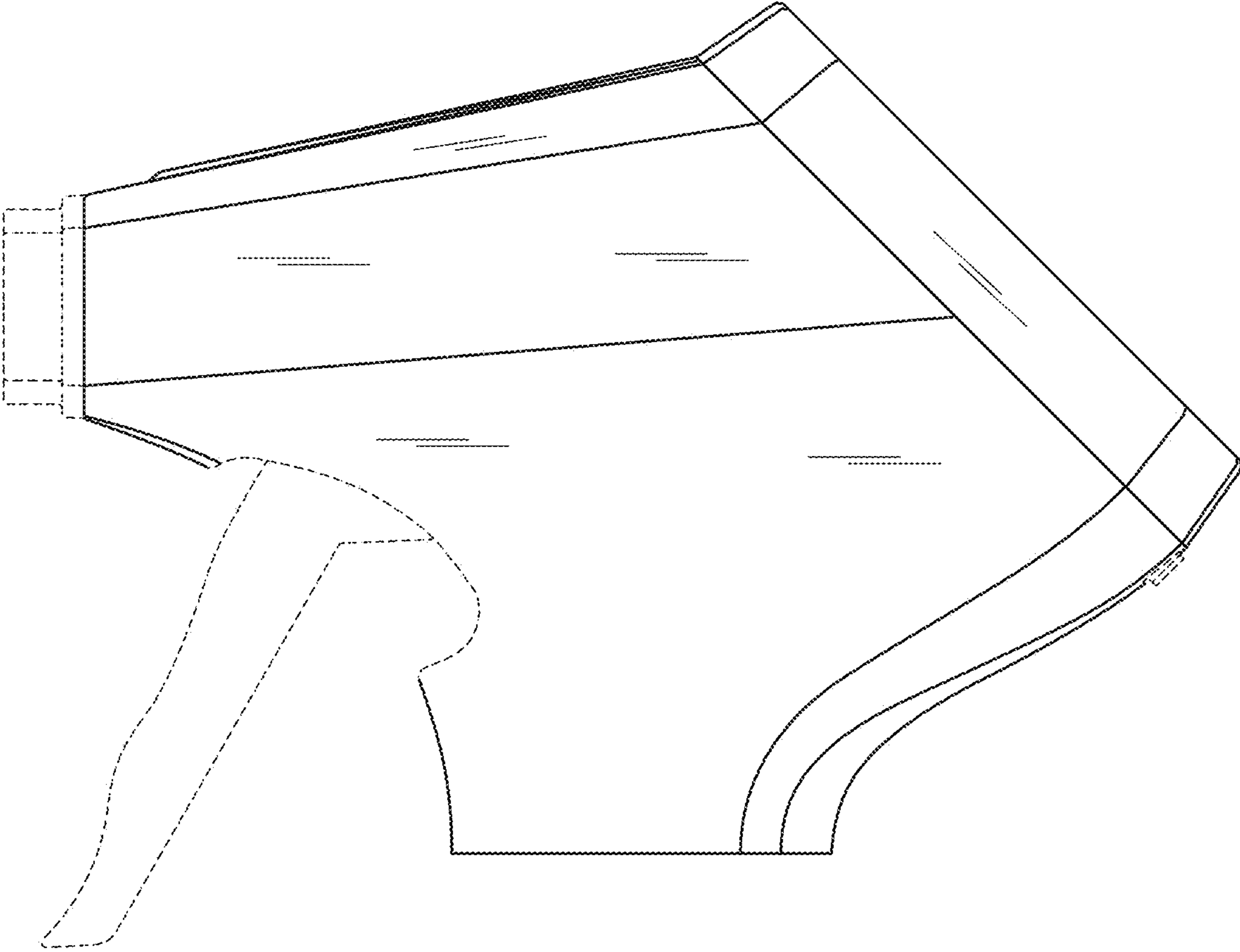


FIG. 9

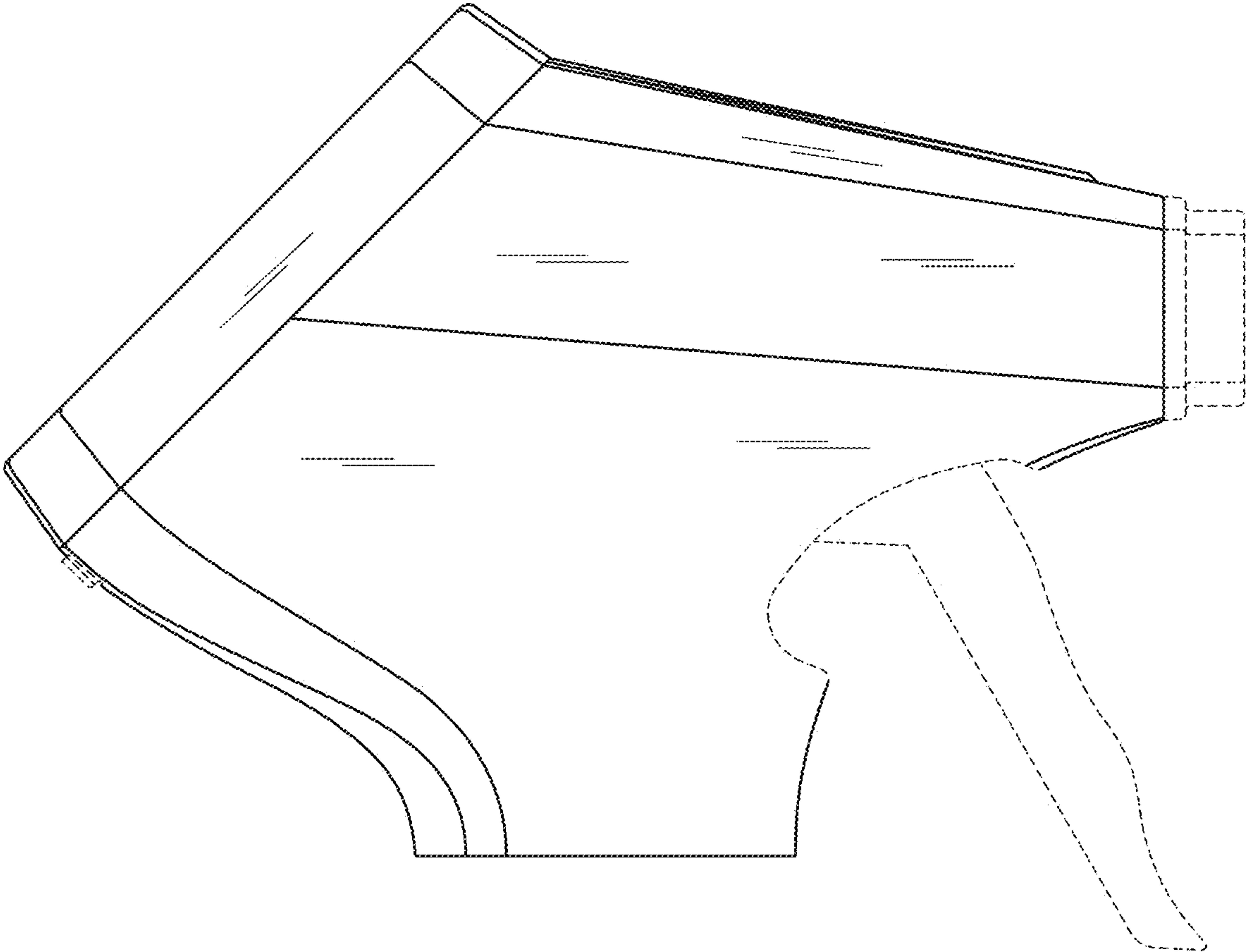


FIG. 10

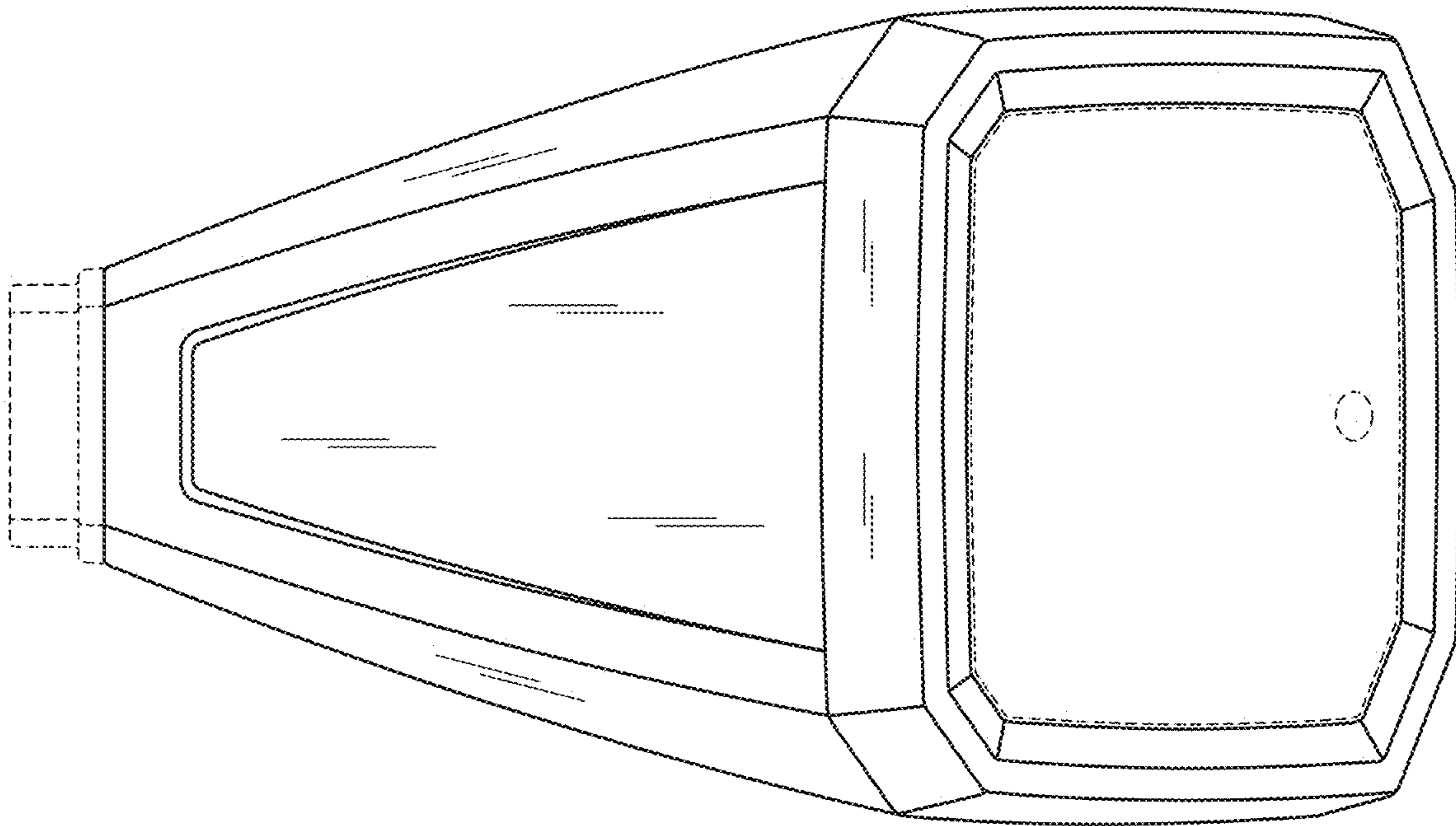


FIG. 11

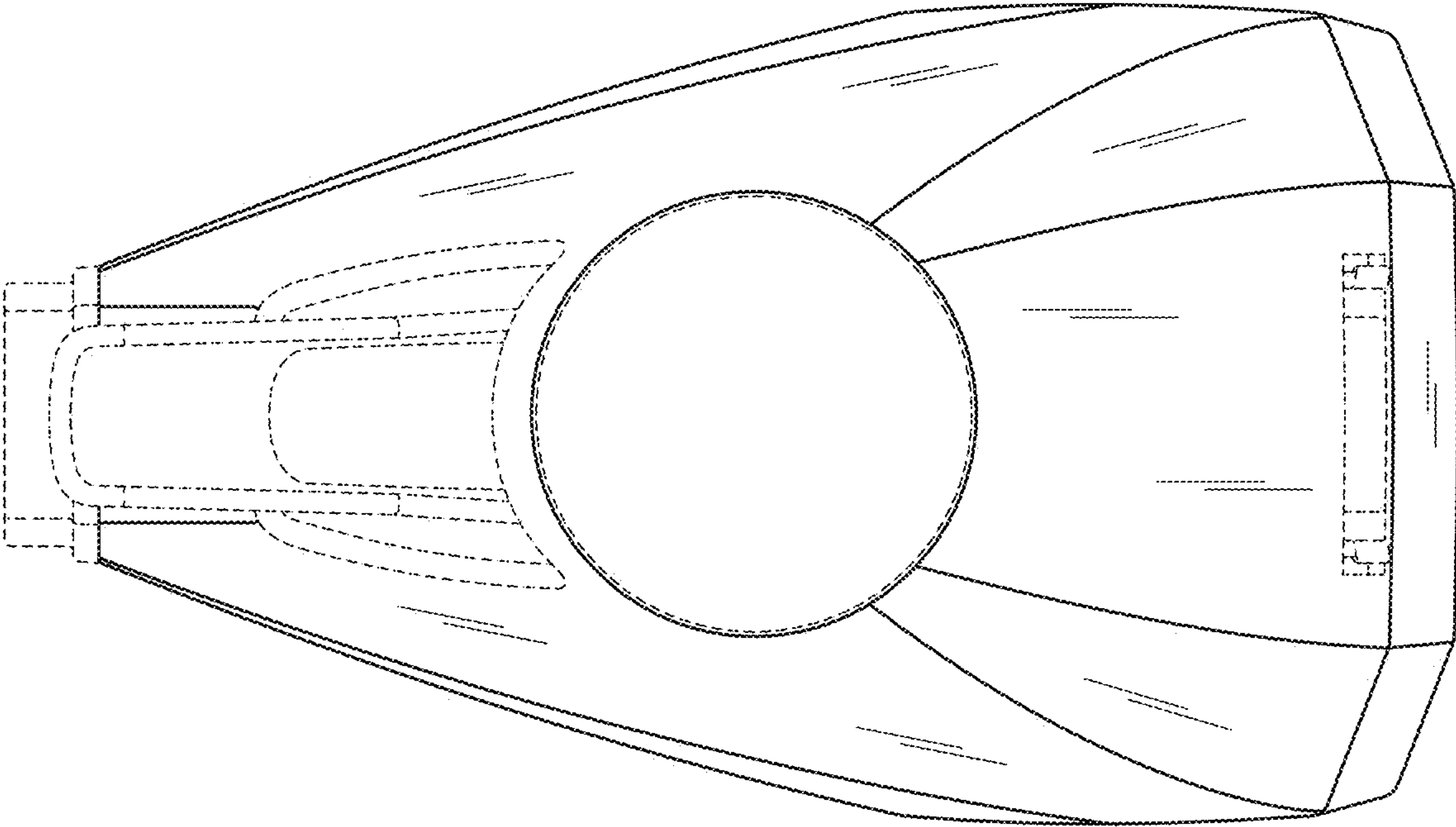
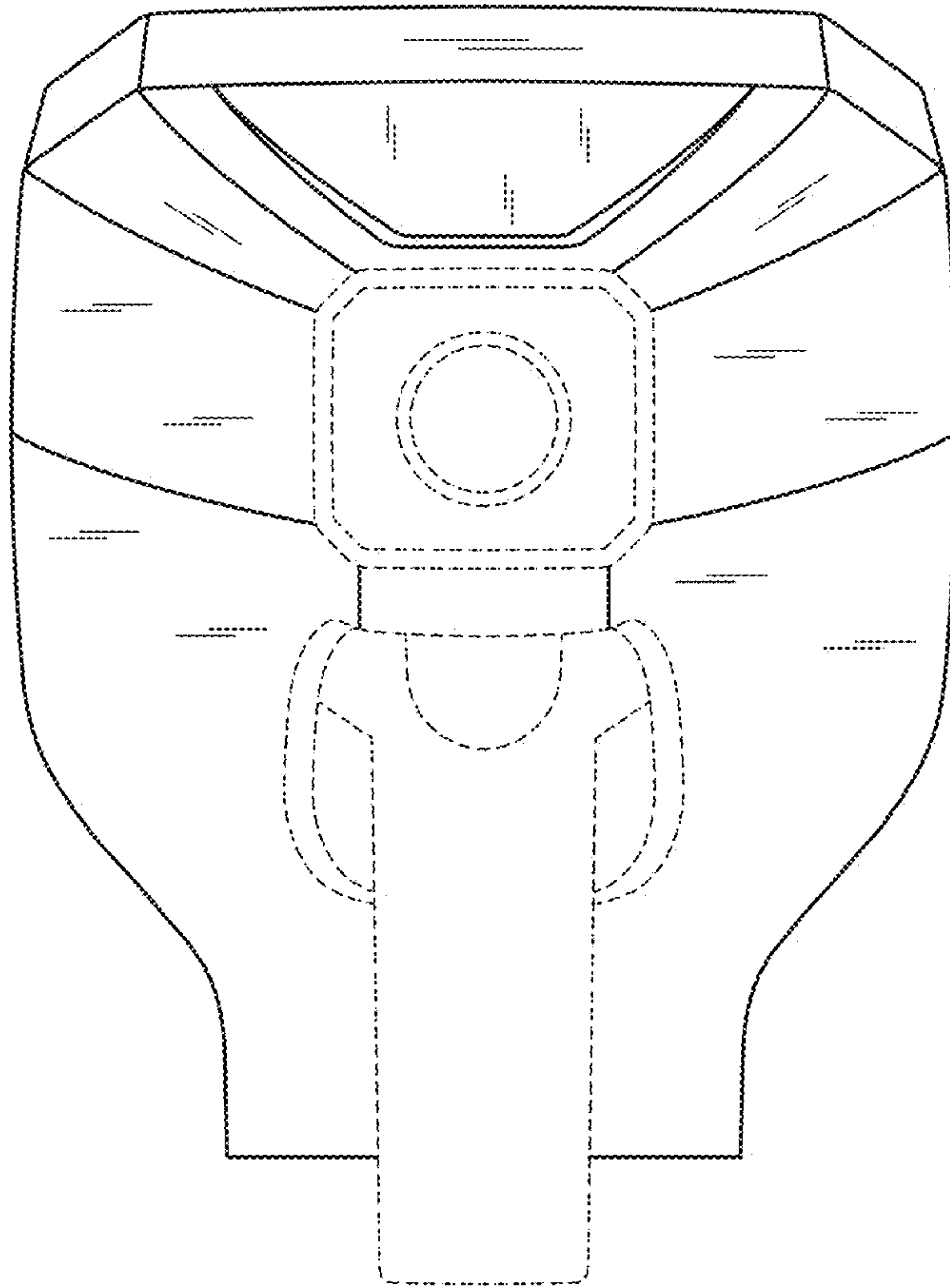


FIG. 12





**FIG. 13**

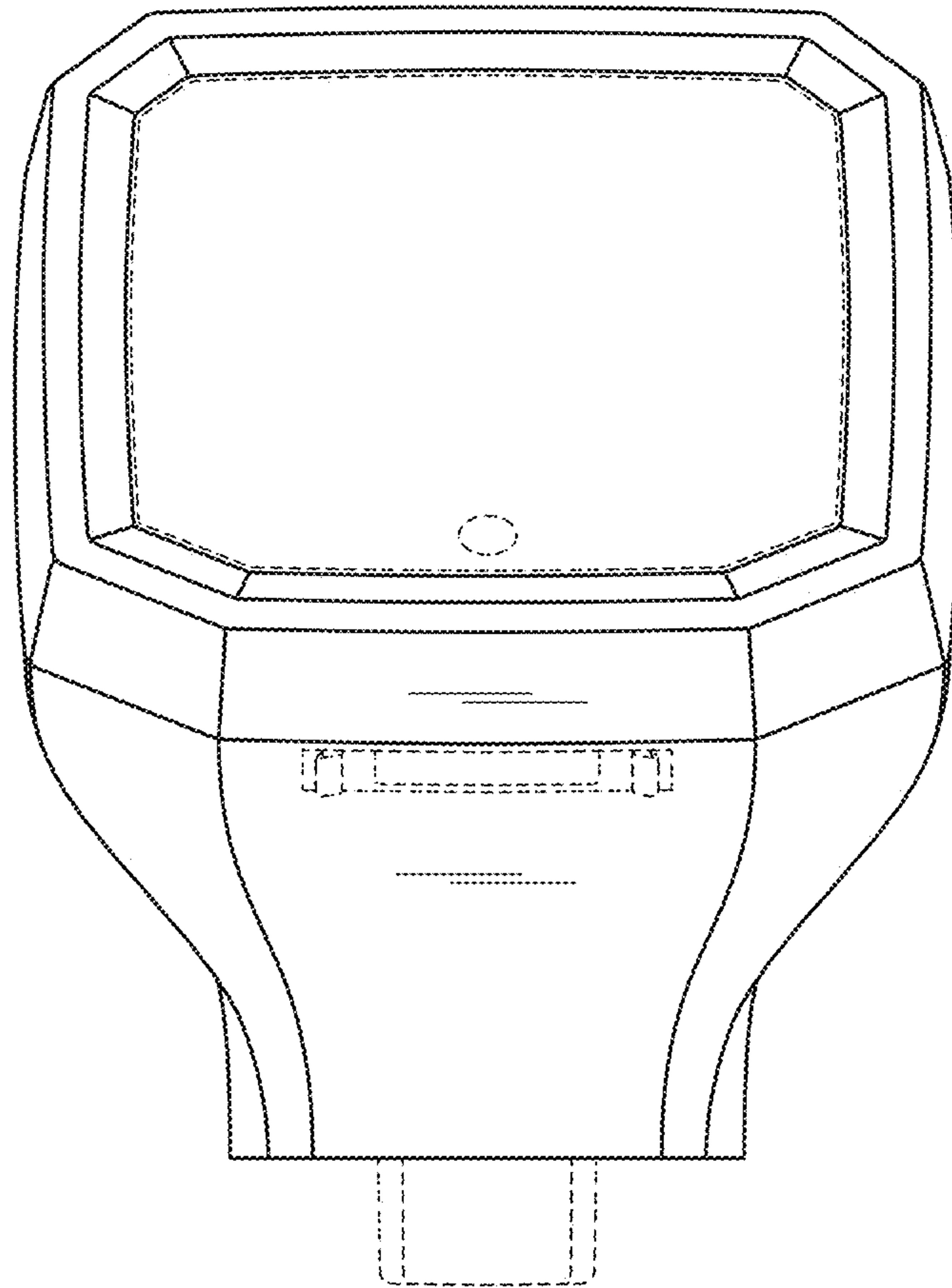
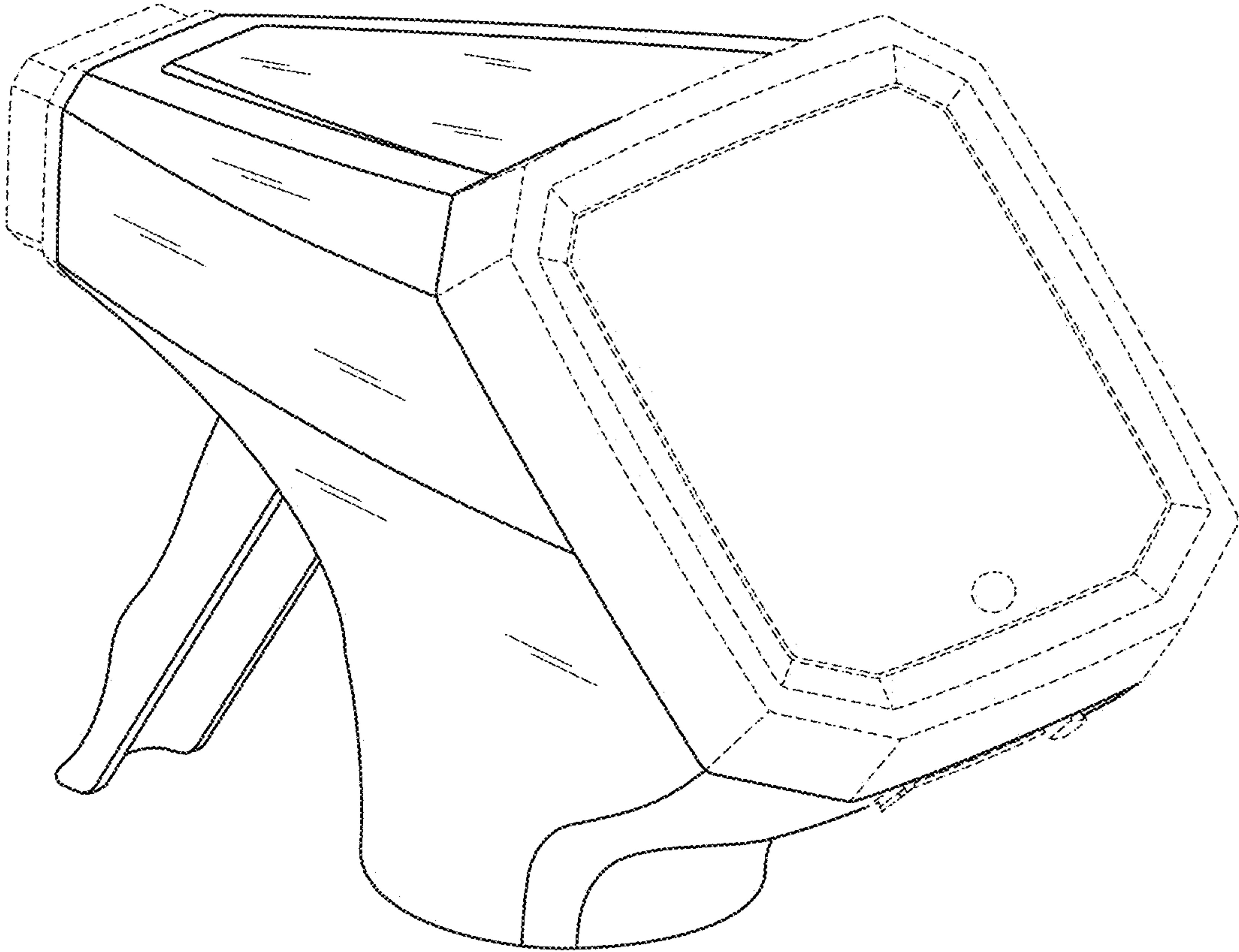


FIG. 14



**FIG. 15**

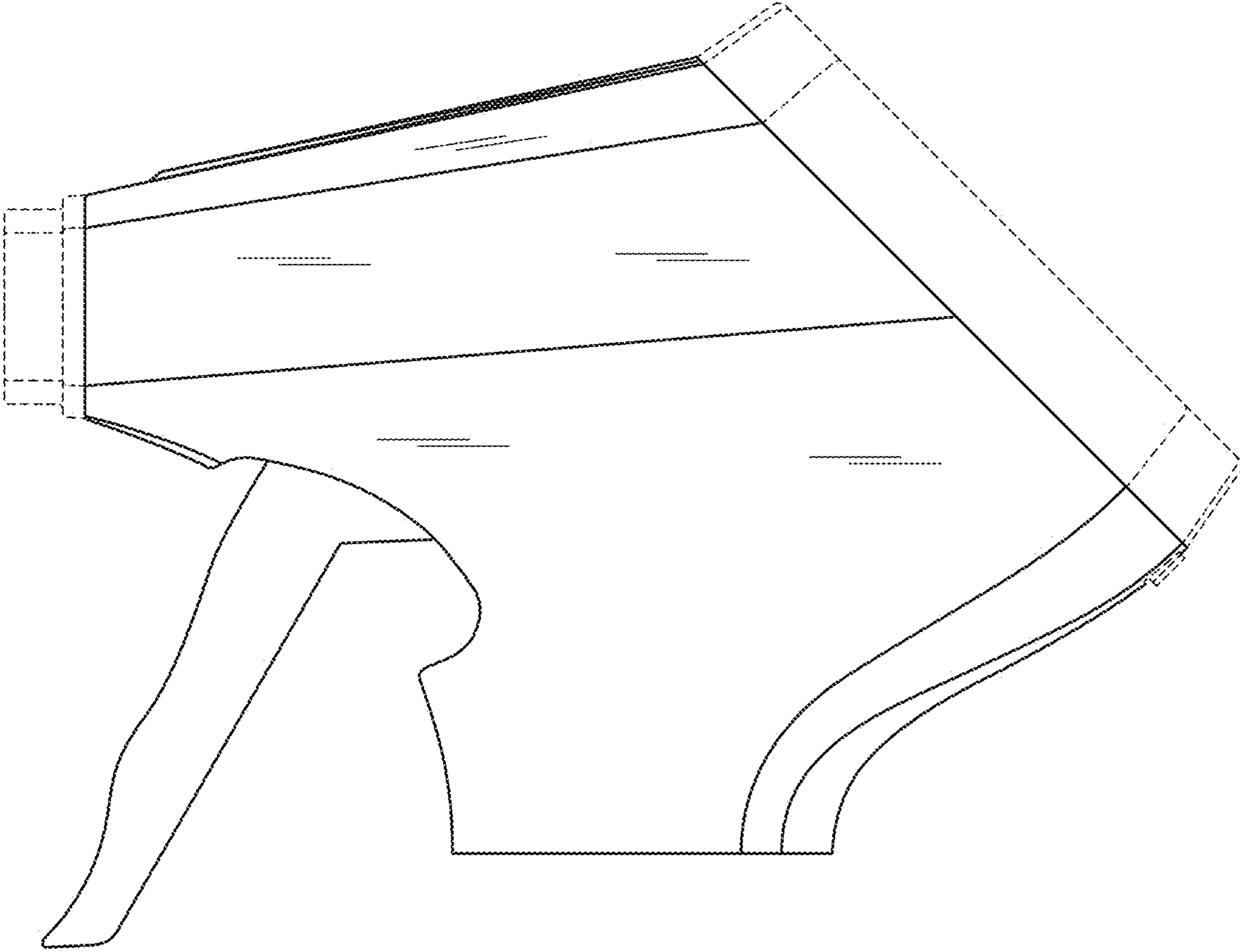


FIG. 16

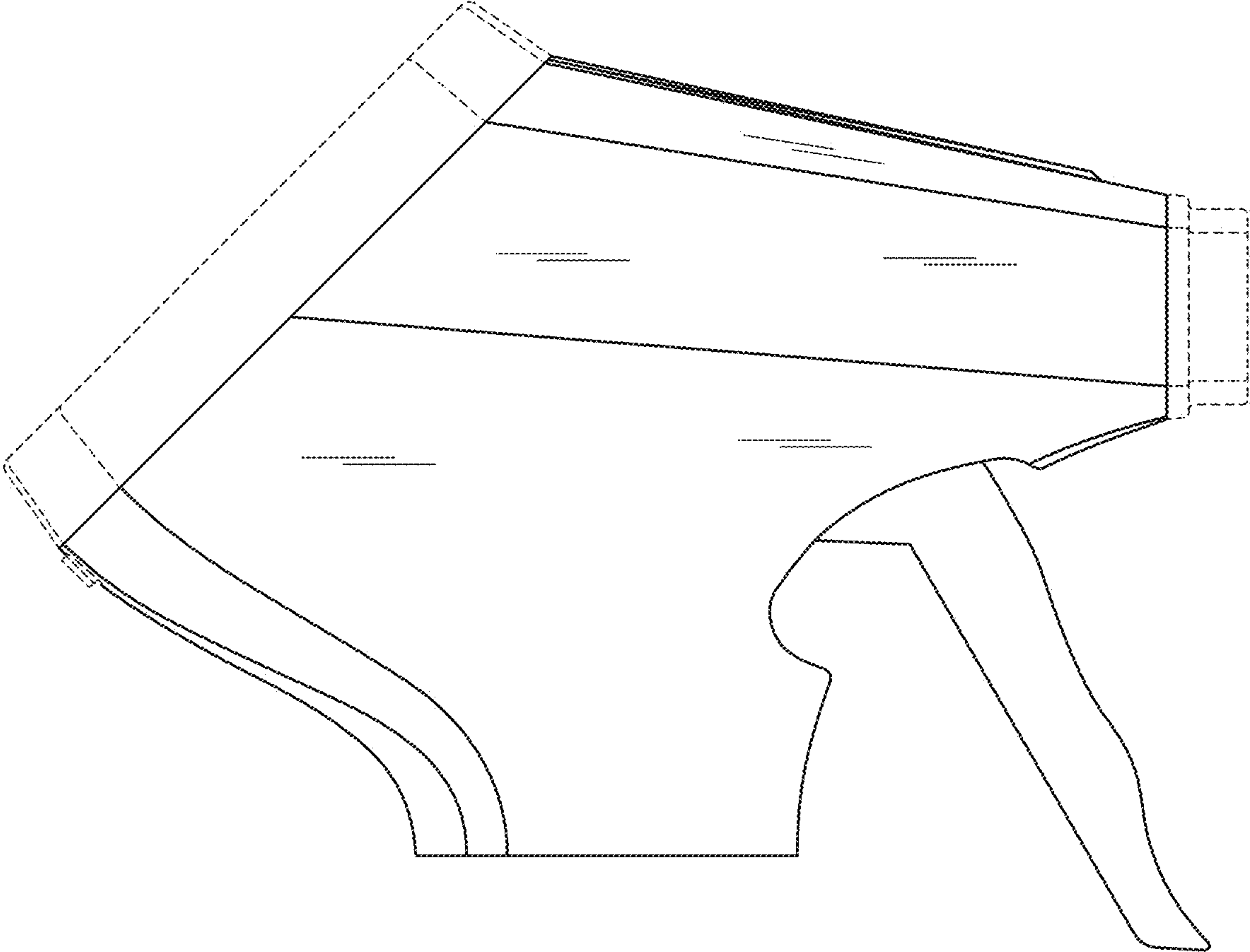


FIG. 17

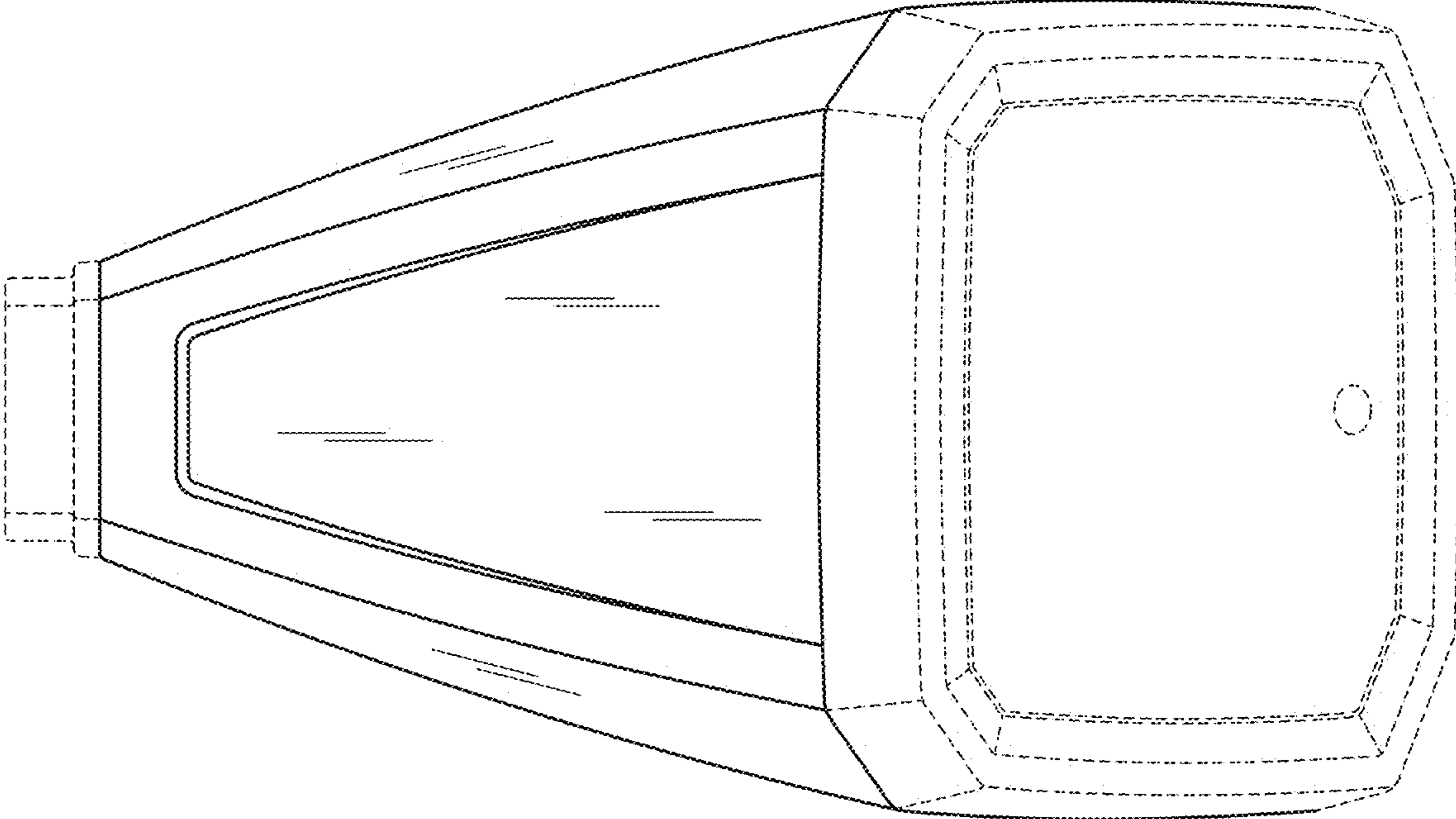
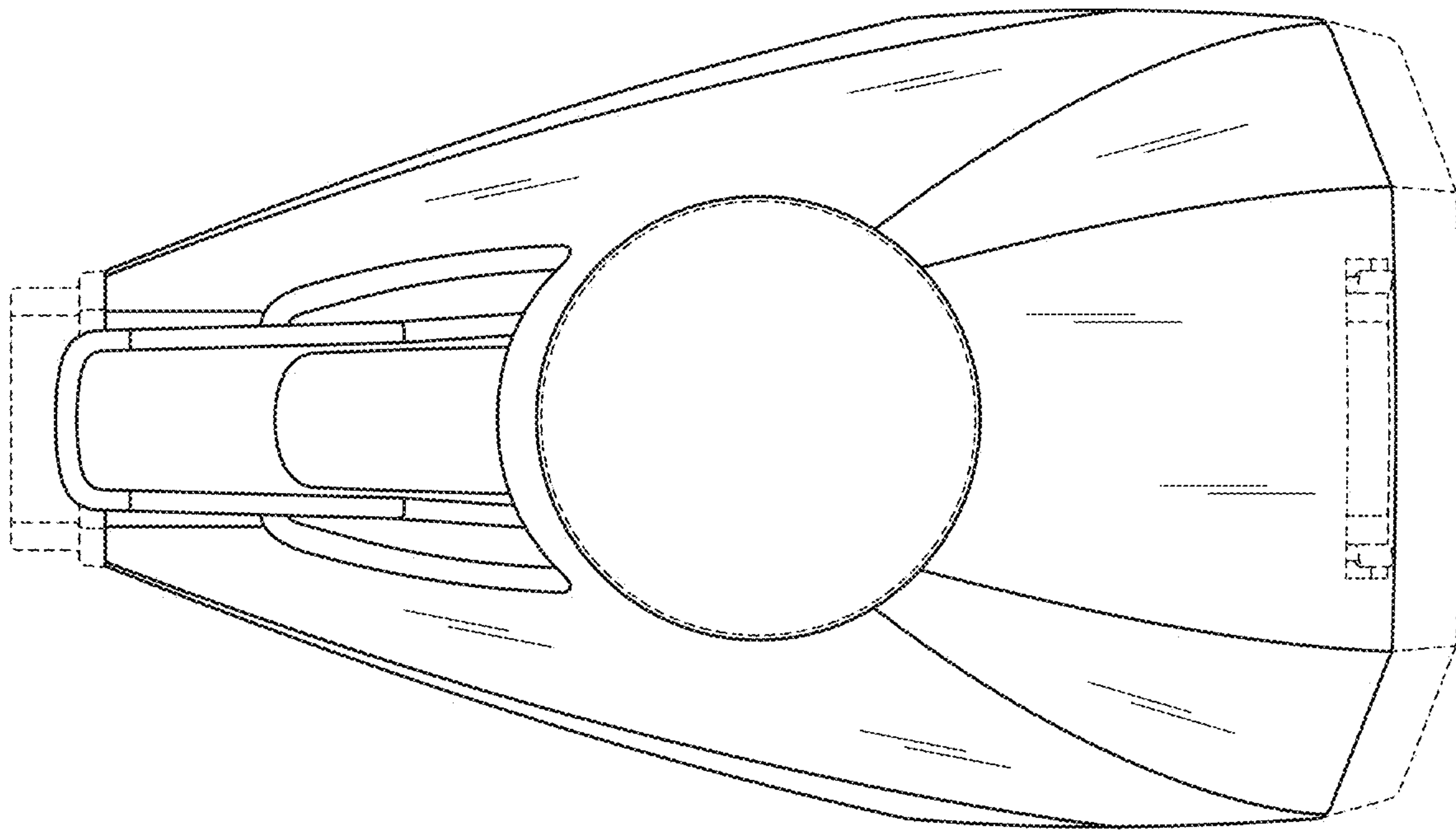


FIG. 18





**FIG. 19**

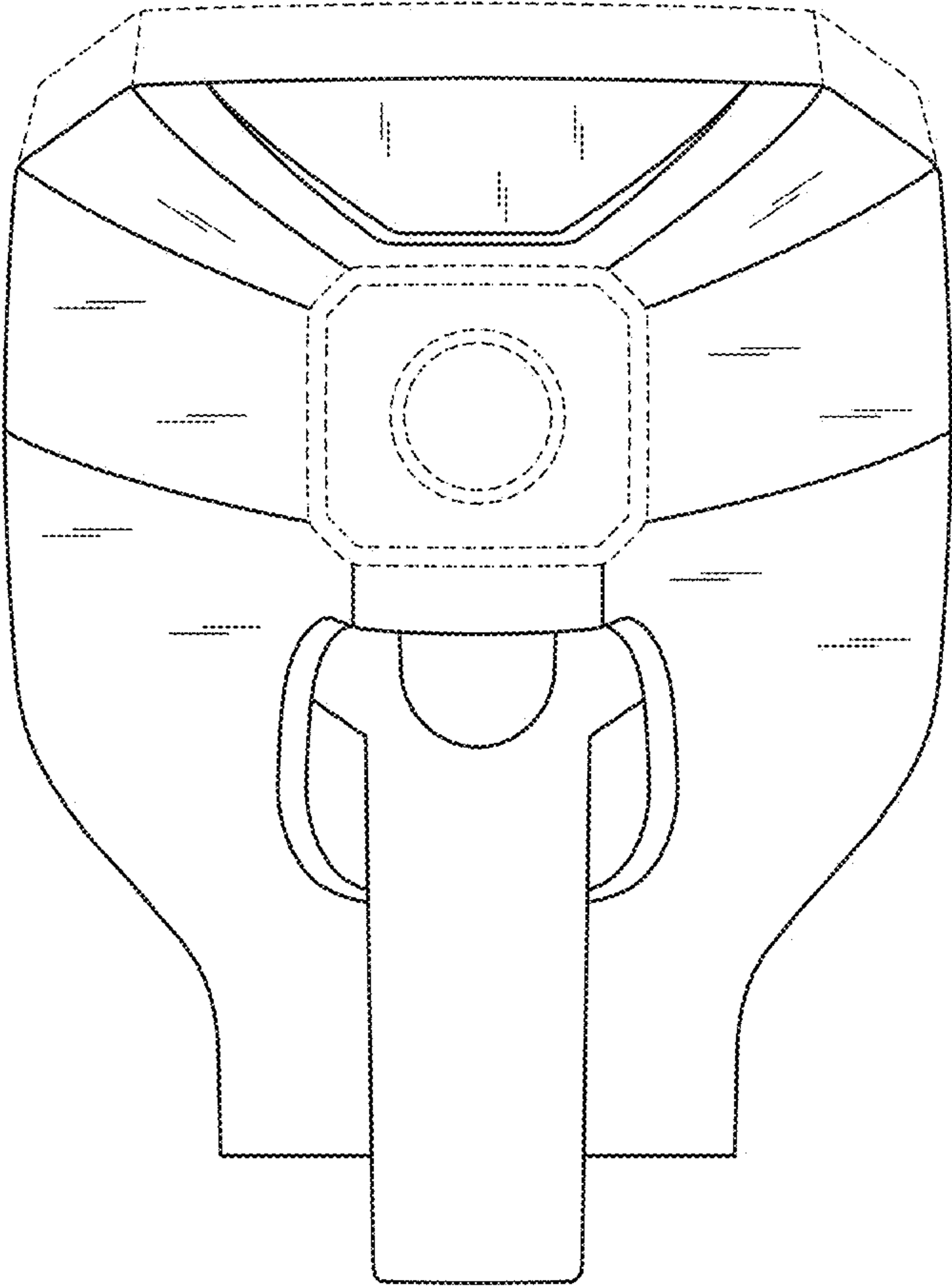


FIG. 20

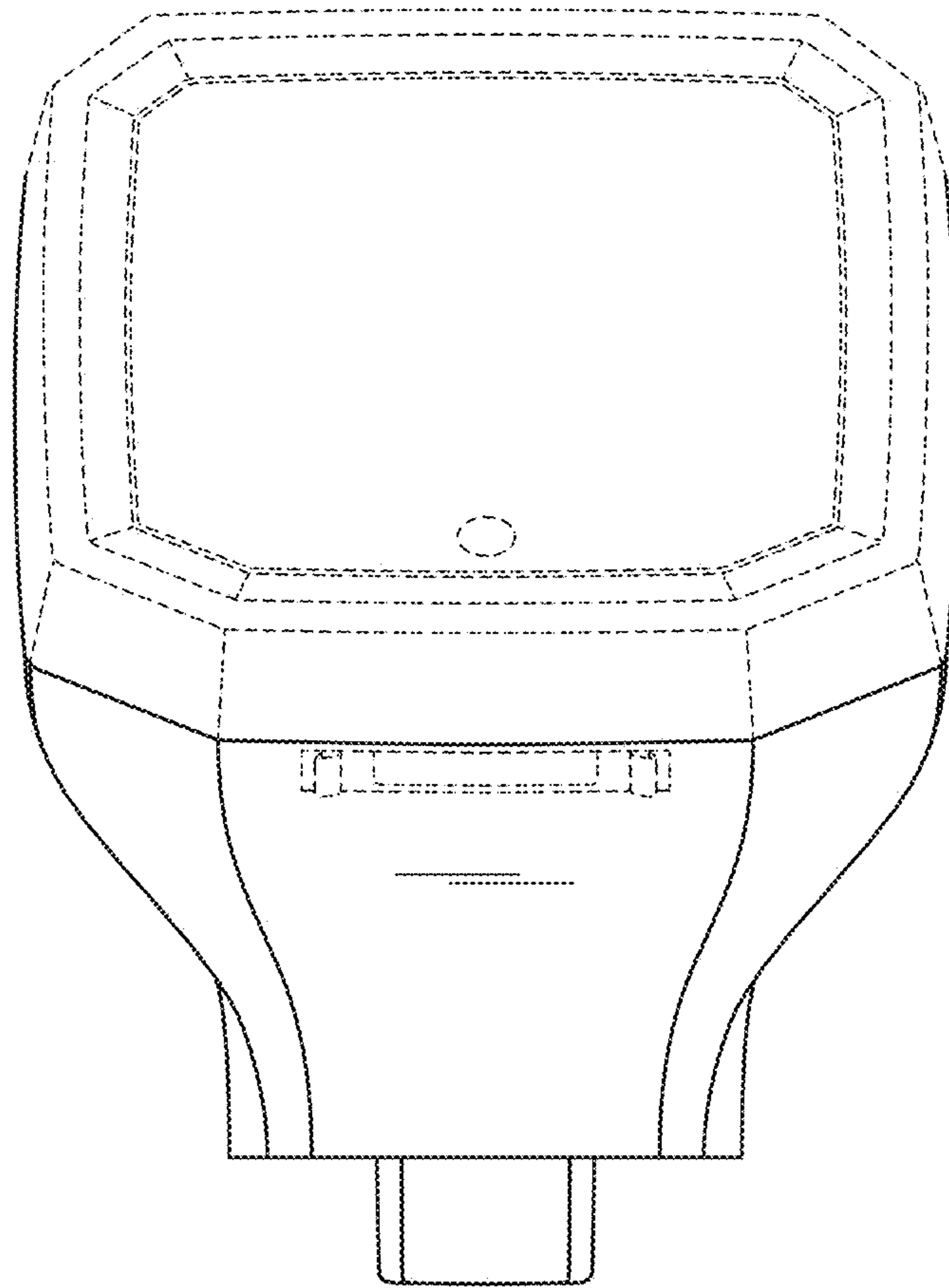


FIG. 21