



US00D924703S

(12) **United States Design Patent** (10) **Patent No.:** **US D924,703 S**
Chen (45) **Date of Patent:** **** Jul. 13, 2021**

(54) **INFRARED THERMOMETER**
(71) Applicant: **Li Chuan Chen**, Taipei (TW)
(72) Inventor: **Li Chuan Chen**, Taipei (TW)
(**) Term: **15 Years**
(21) Appl. No.: **29/712,306**
(22) Filed: **Nov. 7, 2019**
(51) **LOC (13) Cl.** **10-04**
(52) **U.S. Cl.**
USPC **D10/57**
(58) **Field of Classification Search**
USPC D10/46, 52, 57
CPC G01J 5/04; G01J 5/041; G01J 5/042; G01J
5/043; G01J 5/044; G01J 5/045; G01J
5/046; G01J 5/047; G01J 5/048; G01J
5/049; G01J 5/0265; G01K 1/02; G01K
1/022; G01K 1/024; G01K 1/08; G01K
1/20; G01K 3/005; G01K 3/06; G01K
13/002; G01K 13/04
See application file for complete search history.

(56) **References Cited**
U.S. PATENT DOCUMENTS
D493,733 S * 8/2004 Chen D10/57
D549,114 S * 8/2007 Sebban D10/57
D583,262 S * 12/2008 Flandin D10/57
8,136,984 B1 * 3/2012 Heinke G01J 5/14
374/121
D666,928 S * 9/2012 Elrod D10/57
D668,561 S * 10/2012 Dunkin D10/57
D671,017 S * 11/2012 Petrucelli D10/57

D791,624 S * 7/2017 Wong D10/57
D838,191 S * 1/2019 Yang D10/57
D848,868 S * 5/2019 Xiaohong D10/57
D863,993 S * 10/2019 Tang D10/57
D867,172 S * 11/2019 Zhuang D10/57
D880,559 S * 4/2020 Lin D16/206
2009/0257469 A1 * 10/2009 Jones G01J 5/0265
374/133
2013/0050453 A1 * 2/2013 Bergstrom G01J 5/0275
348/61

* cited by examiner

Primary Examiner — Leanne Was-Englehart
(74) *Attorney, Agent, or Firm* — Alan D. Kamrath; Karin
L. Williams; Mayer & Williams PC

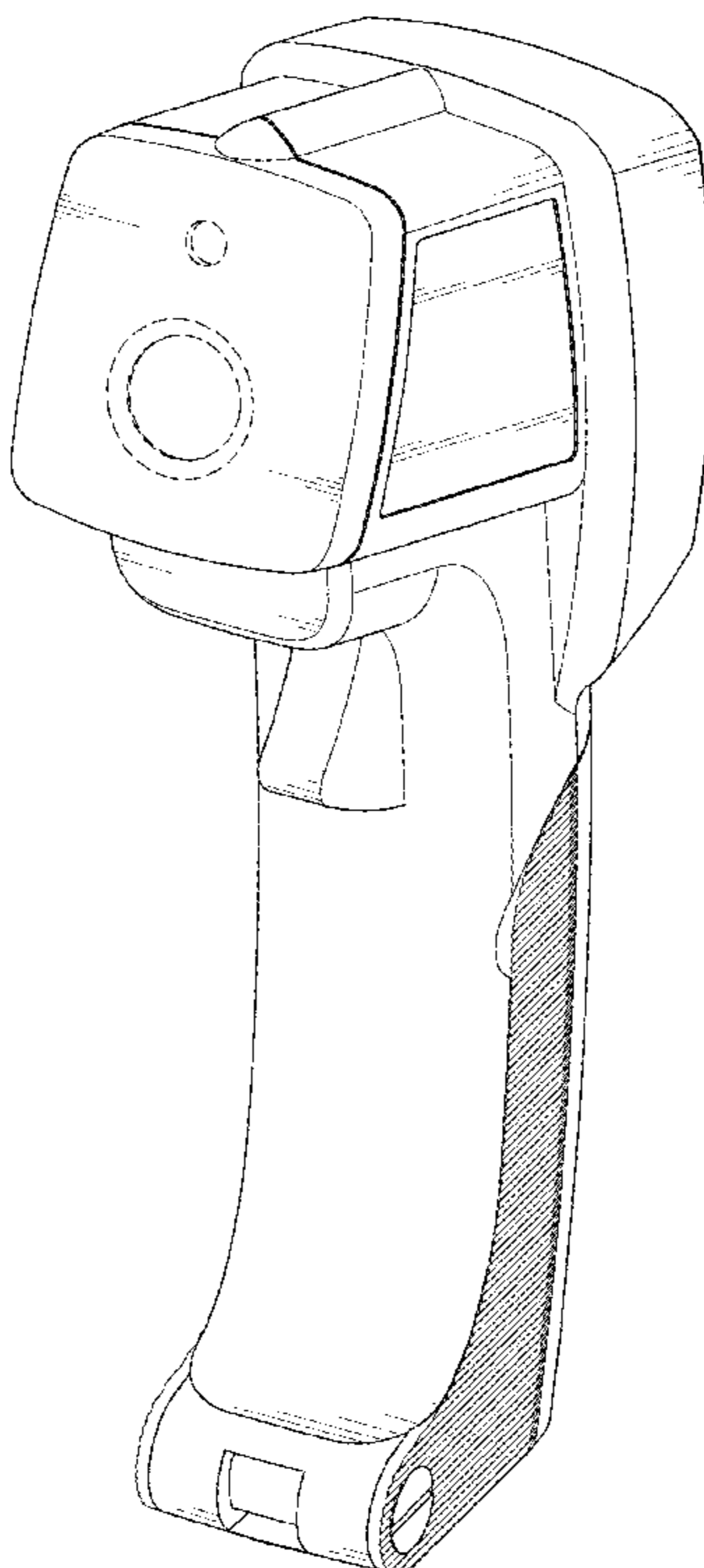
(57) **CLAIM**

The ornamental design for an infrared thermometer, as shown and described.

DESCRIPTION

FIG. 1 is a perspective view of an infrared thermometer showing my new design;
FIG. 2 is a front elevation view thereof;
FIG. 3 is a rear elevation view thereof;
FIG. 4 is a left side elevation view thereof;
FIG. 5 is a right side elevation view thereof;
FIG. 6 is a top plan view thereof; and,
FIG. 7 is a bottom plan view thereof.
The broken lines shown are included for the purpose of illustrating unclaimed portions of the article and form no part of the claimed design.

1 Claim, 7 Drawing Sheets



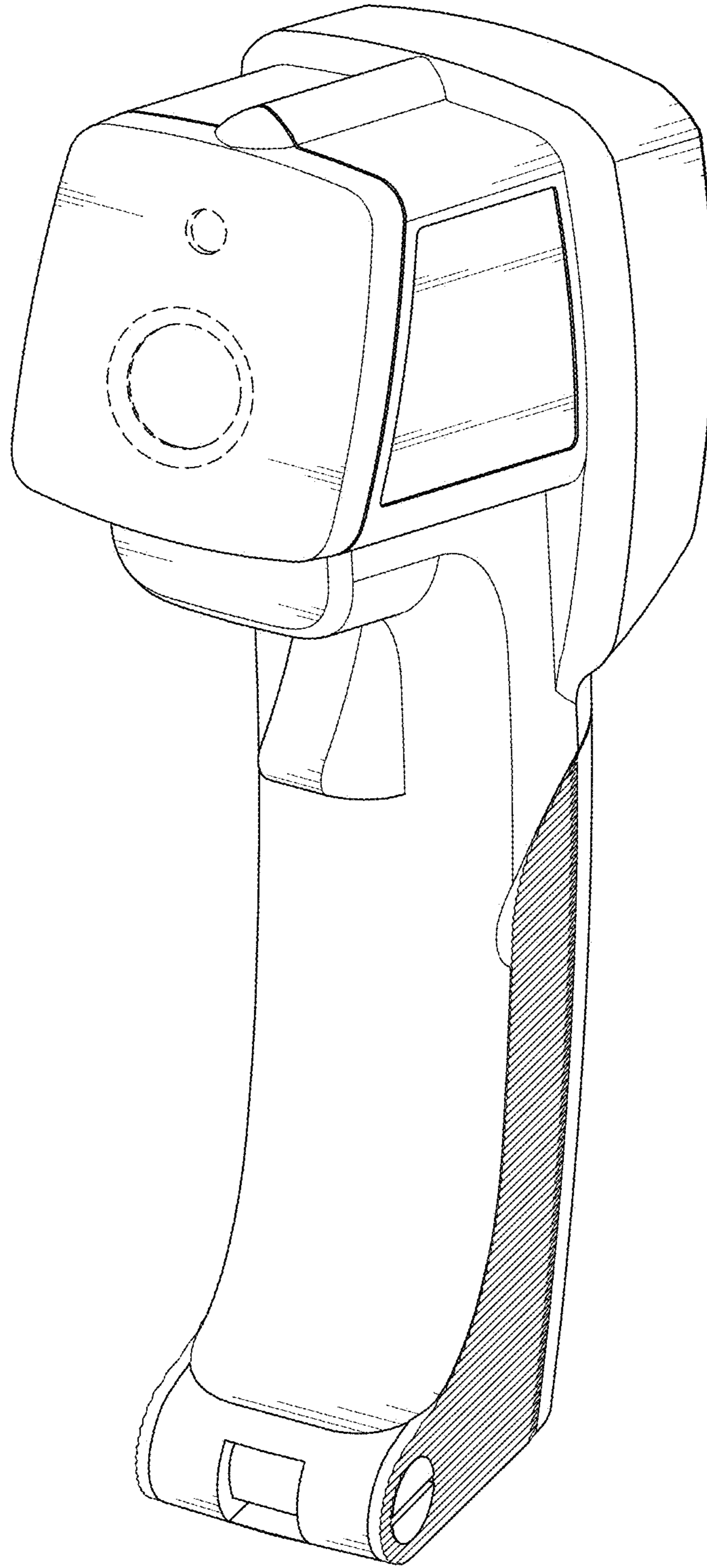


FIG. 1

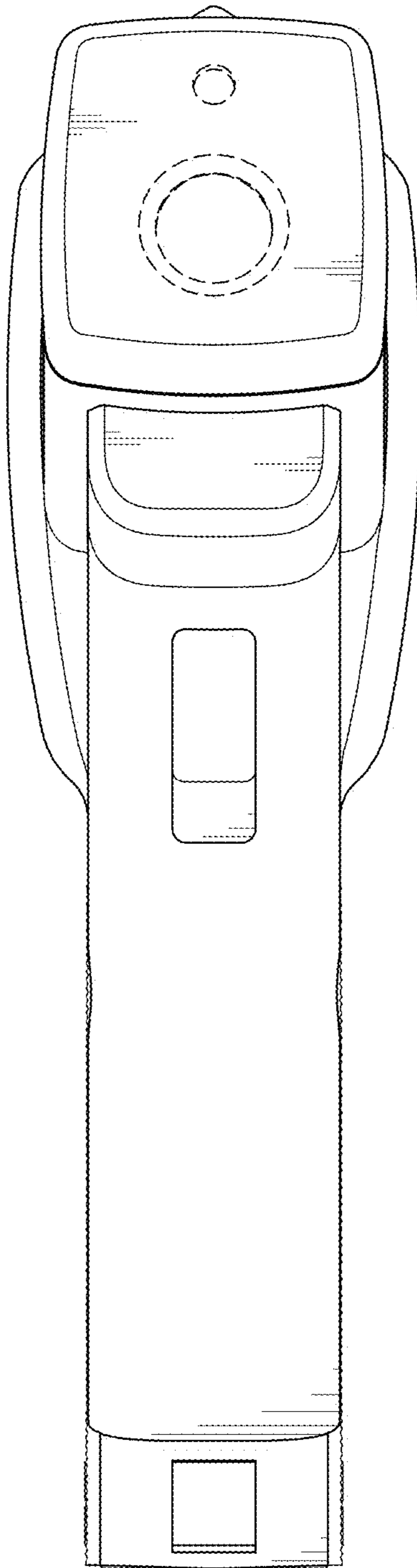


FIG. 2

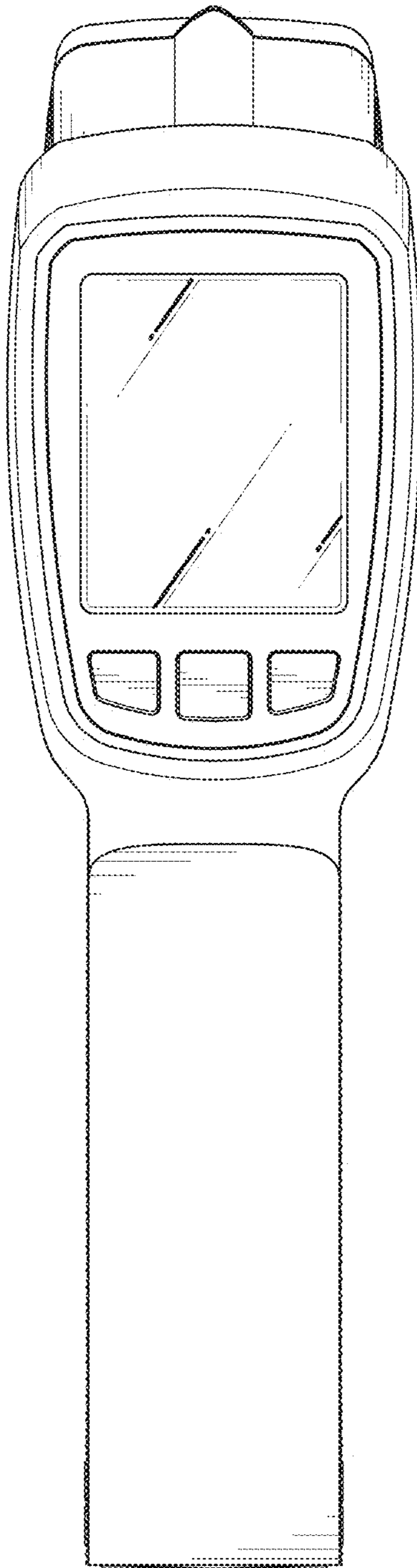


FIG. 3

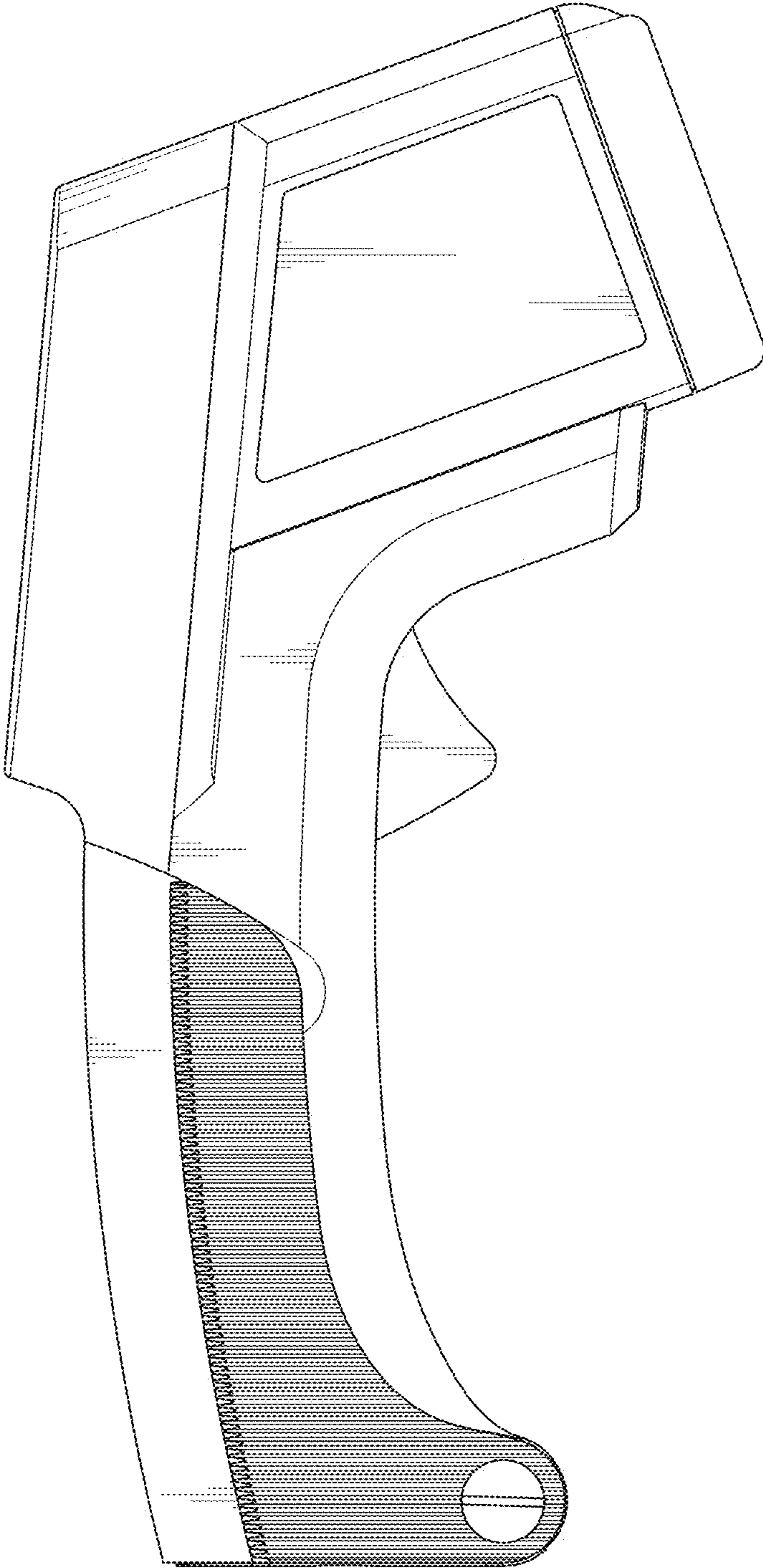


FIG. 4

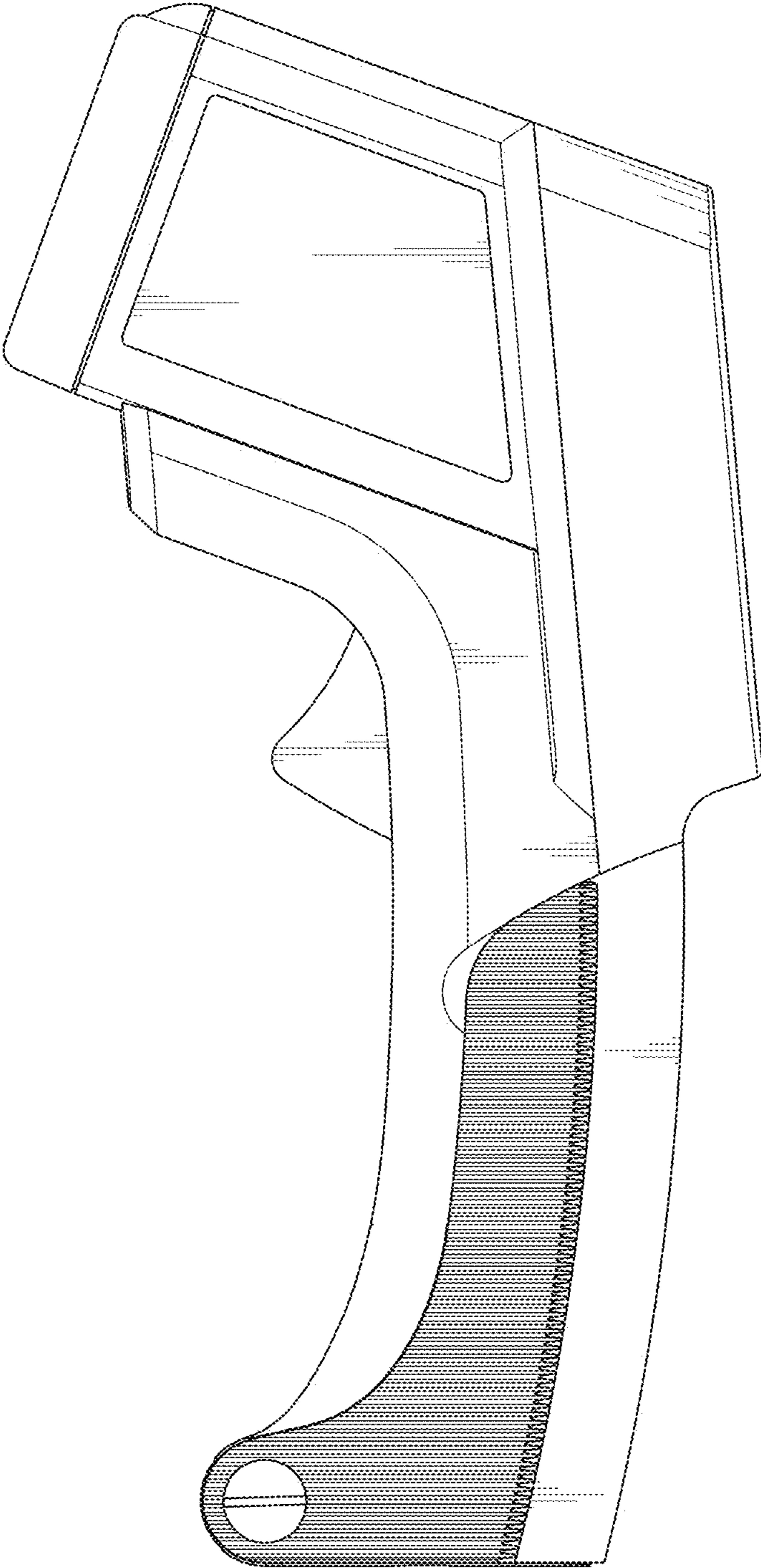


FIG. 5

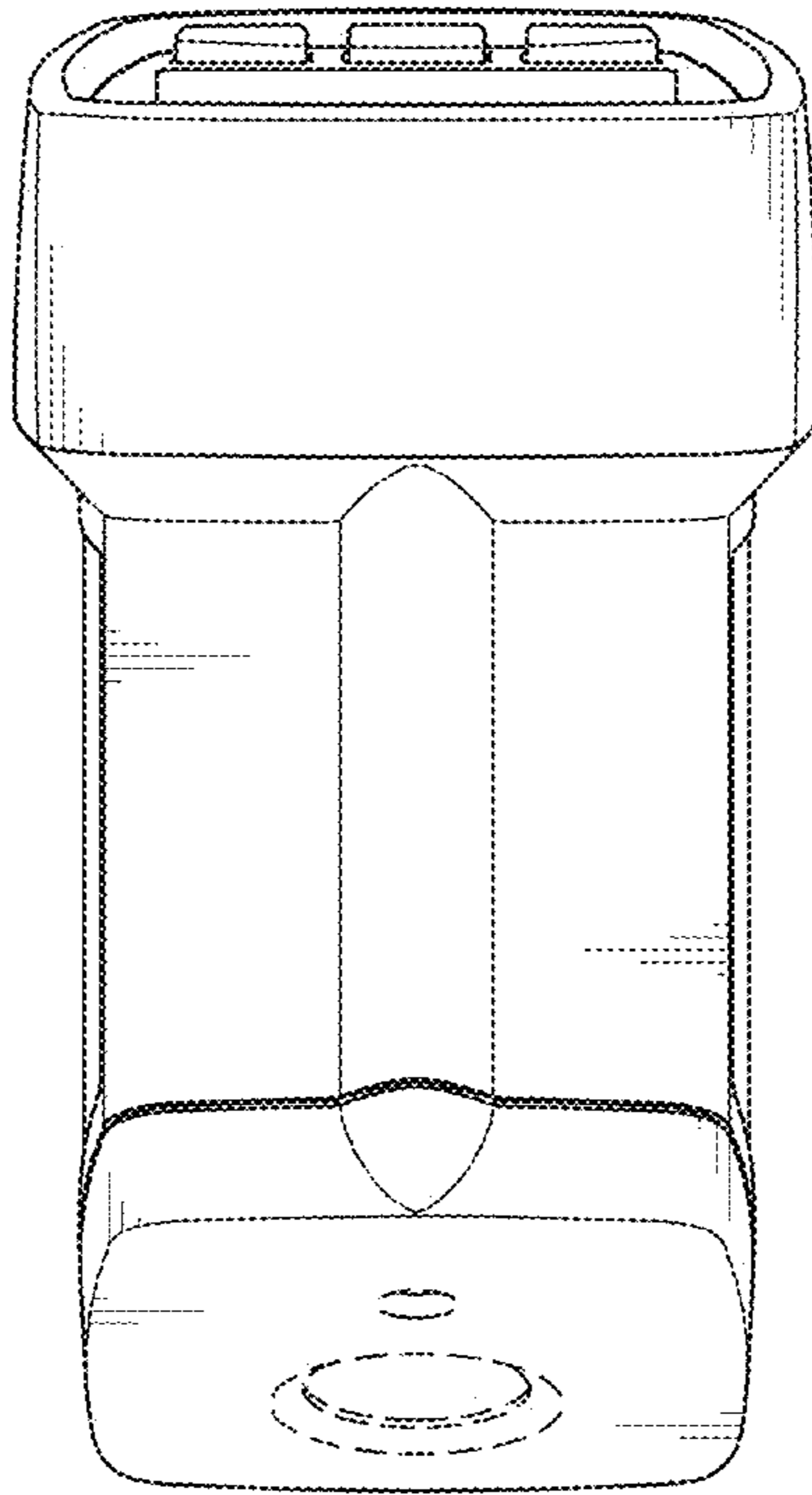


FIG. 6

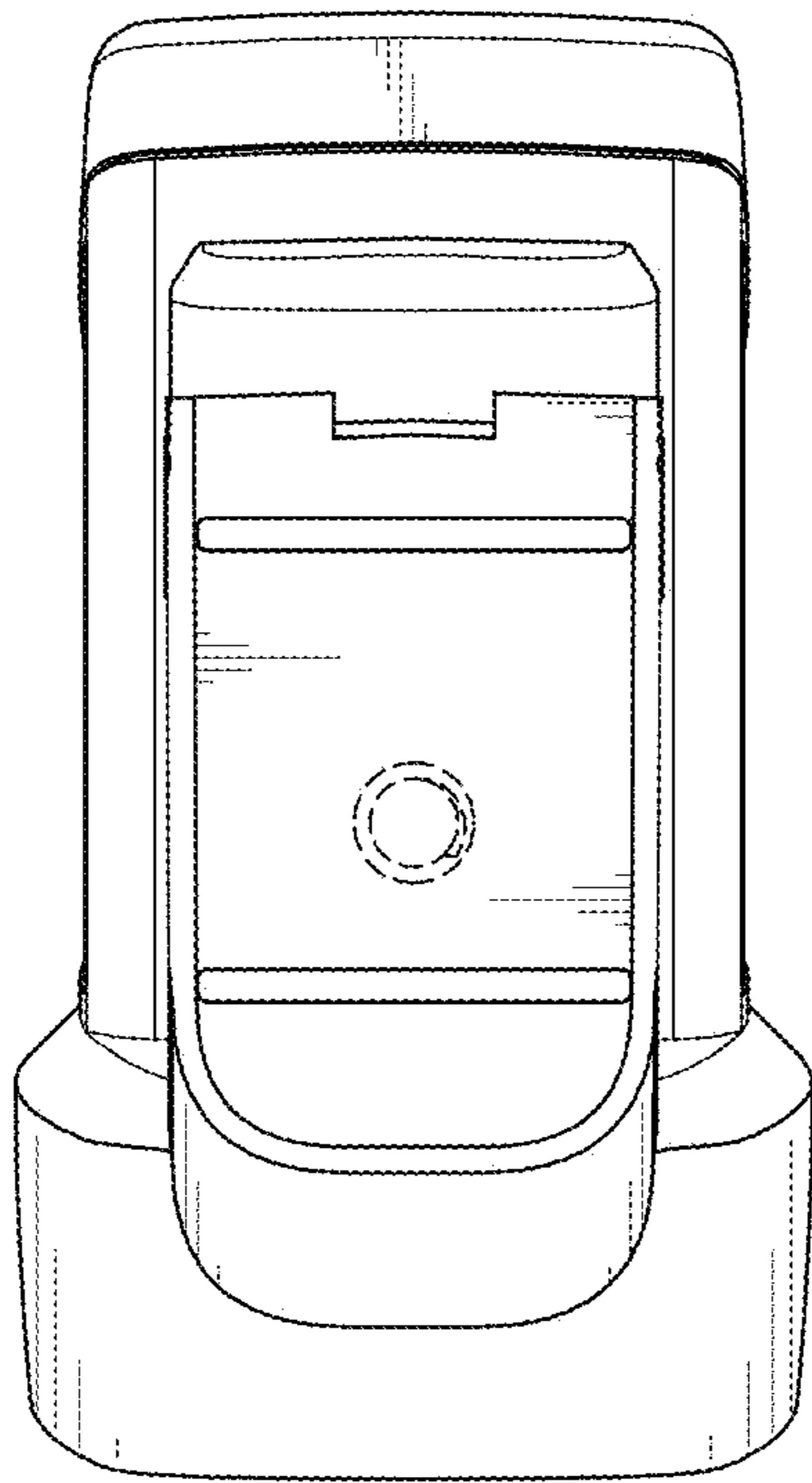


FIG. 7