



US00D924701S

(12) **United States Design Patent** (10) **Patent No.:** **US D924,701 S**
Akao (45) **Date of Patent:** **** Jul. 13, 2021**

(54) **TEMPERATURE SENSOR**

(71) Applicant: **KOKUSAI ELECTRIC CORPORATION**, Tokyo (JP)

(72) Inventor: **Tokunobu Akao**, Toyama (JP)

(73) Assignee: **KOKUSAI ELECTRIC CORPORATION**, Tokyo (JP)

(**) Term: **15 Years**

(21) Appl. No.: **29/699,548**

(22) Filed: **Jul. 26, 2019**

(30) **Foreign Application Priority Data**

Mar. 4, 2019 (JP) 004357/2019

(51) **LOC (13) Cl.** **10-05**

(52) **U.S. Cl.**
USPC **D10/52**

(58) **Field of Classification Search**
USPC D10/49-56, 60
CPC .. G01K 7/00; G01K 7/01; G01K 7/02; G01K 7/023; G01K 7/025; G01K 7/026; G01K 7/028; G01K 1/00; G01K 1/12
See application file for complete search history.

(56) **References Cited**

U.S. PATENT DOCUMENTS

D560,126 S * 1/2008 Frake D10/57
D560,518 S * 1/2008 Frake D10/57
D803,075 S * 11/2017 Akao D10/60

FOREIGN PATENT DOCUMENTS

CN 306209552 * 12/2020
JP 1419405 S 7/2011
JP 1457394 S 12/2012

OTHER PUBLICATIONS

Product overview isweek <https://www.isweek.com/Uploads/20180528/5b0bb8a24ef33.pdf> Uploaded May 28, 2018 (Year: 2018).
Vulcan Electric Company' Homepage; <http://www.vulcanelectric.com/>, © 2019, Retrieved on Jun. 11, 2019.
<http://www.vulcanelectric.com/temperature-sensors/>, © 2019, Retrieved on Jul. 8, 2019.

* cited by examiner

Primary Examiner — Leanne Was-Englehart

(74) *Attorney, Agent, or Firm* — Fitch, Even, Tabin & Flannery, LLP

(57) **CLAIM**

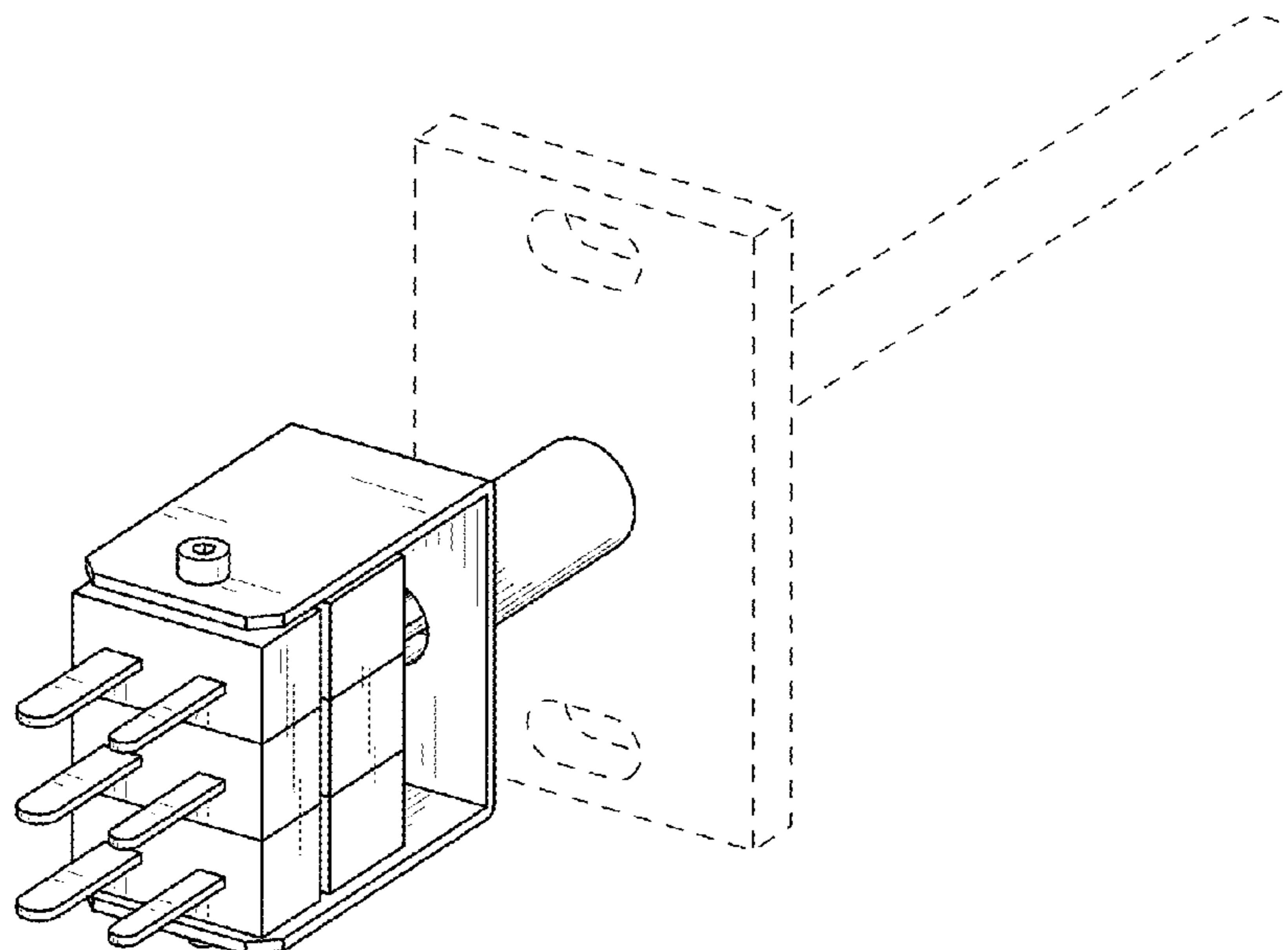
I claim the ornamental design for a temperature sensor, as shown and described.

DESCRIPTION

FIG. 1 is a front, top and left side perspective view of a temperature sensor showing our new design;
FIG. 2 is a front elevational view thereof;
FIG. 3 is a rear elevational view thereof;
FIG. 4 is a left side elevational view thereof;
FIG. 5 is a right side elevational view thereof;
FIG. 6 is a top plan view thereof;
FIG. 7 is a bottom plan view thereof.
FIG. 8 is a cross-sectional view take along line 8-8 in FIG. 4 thereof;
FIG. 9 is a cross-sectional view take along line 9-9 in FIG. 2 thereof; and,
FIG. 10 is a cross-sectional view taken along line 10-10 in FIG. 2.

The dash-dash broken lines are included for the purpose of illustrating portions of the article that form no part of the claimed design. The dot-dash broken lines define the bounds of the claimed design and form no part thereof.

1 Claim, 5 Drawing Sheets



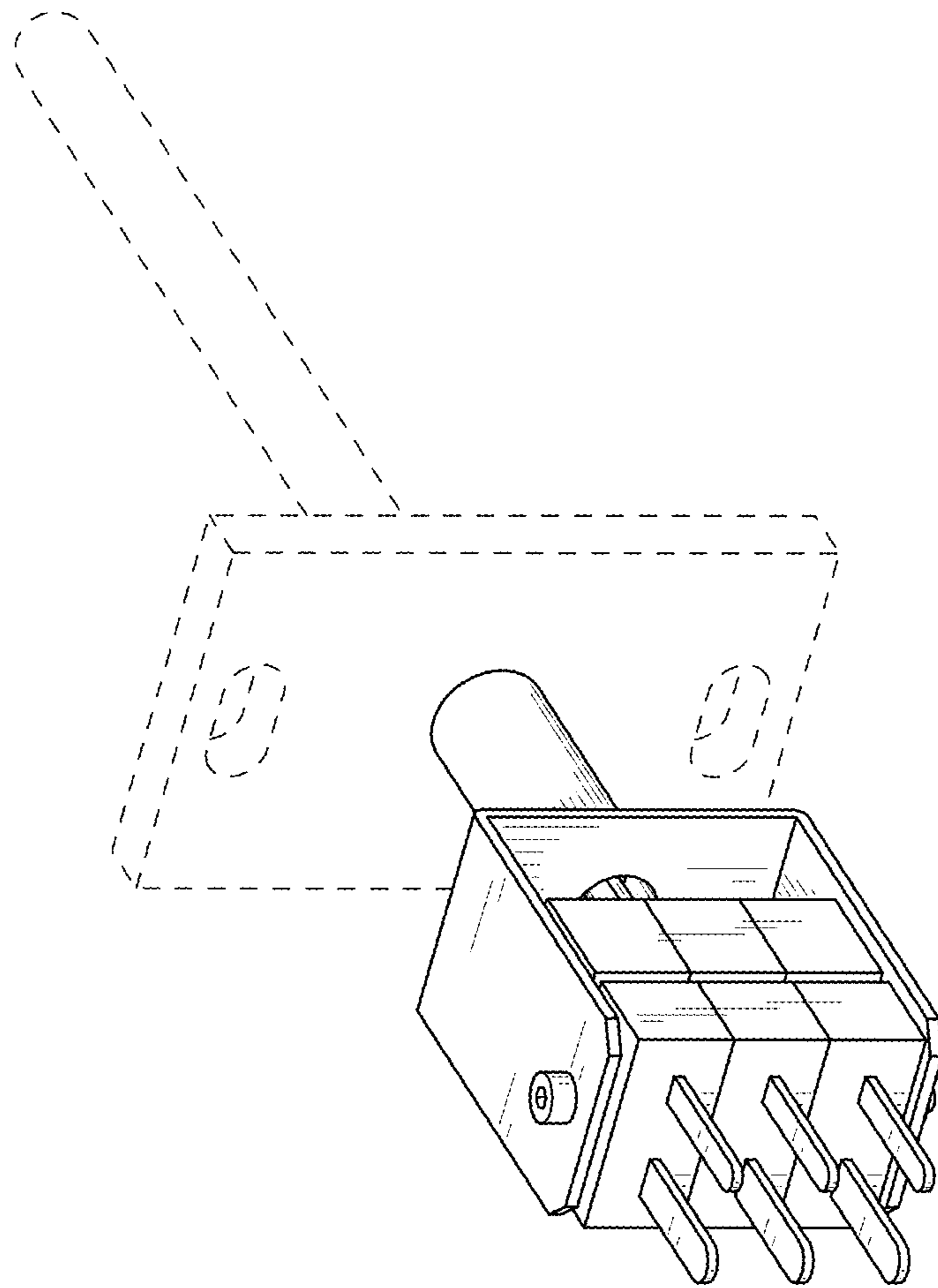


FIG. 1

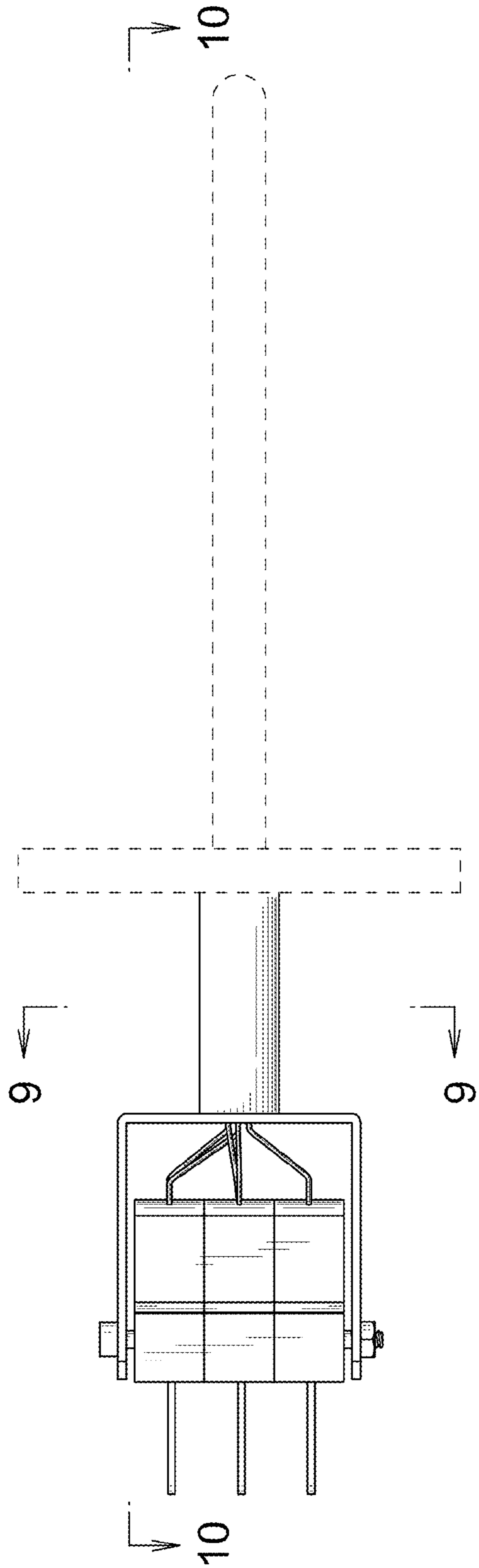


FIG. 2

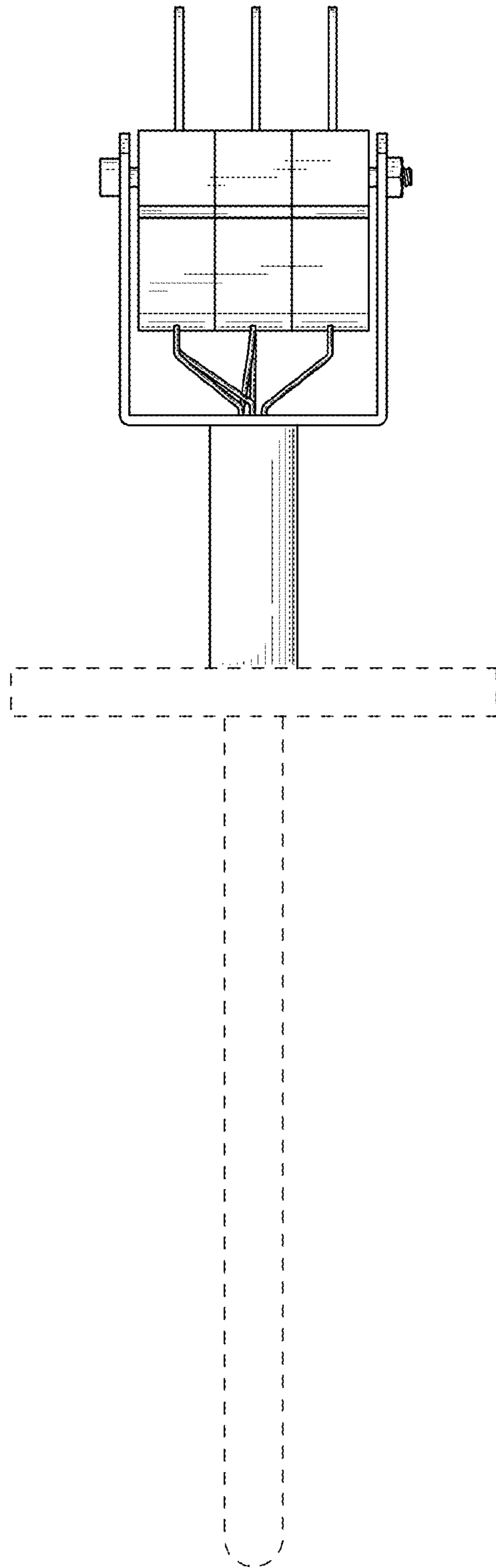


FIG. 3

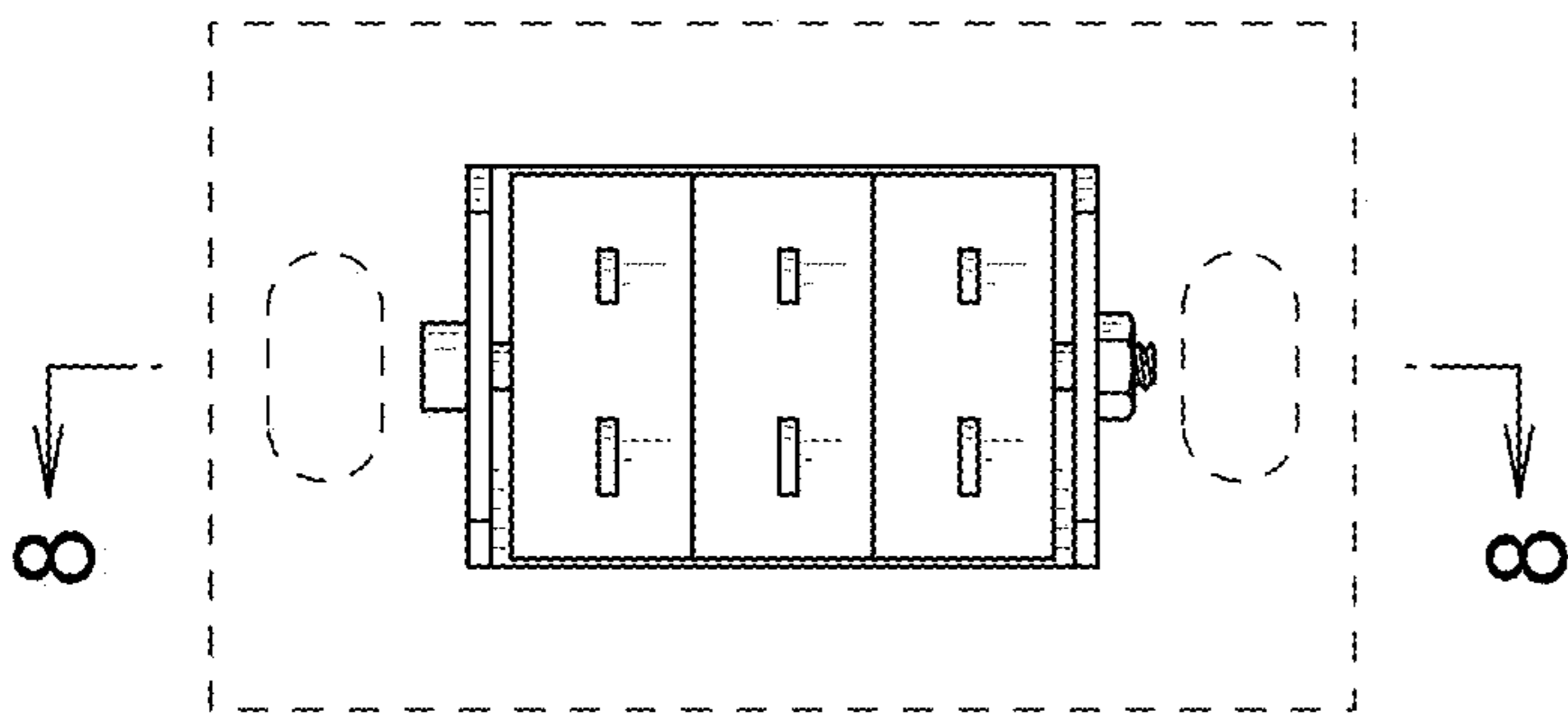


FIG. 4

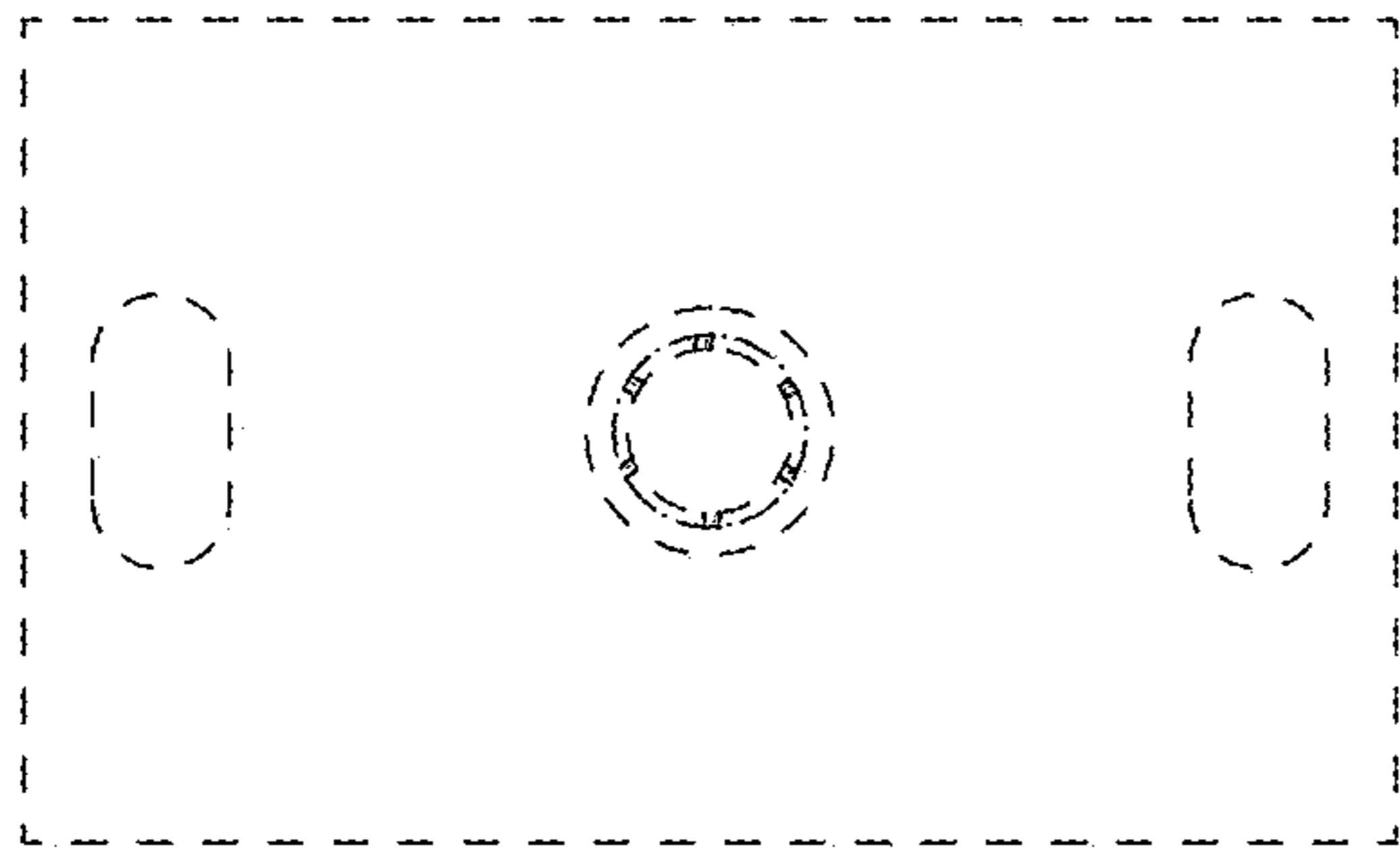


FIG. 5

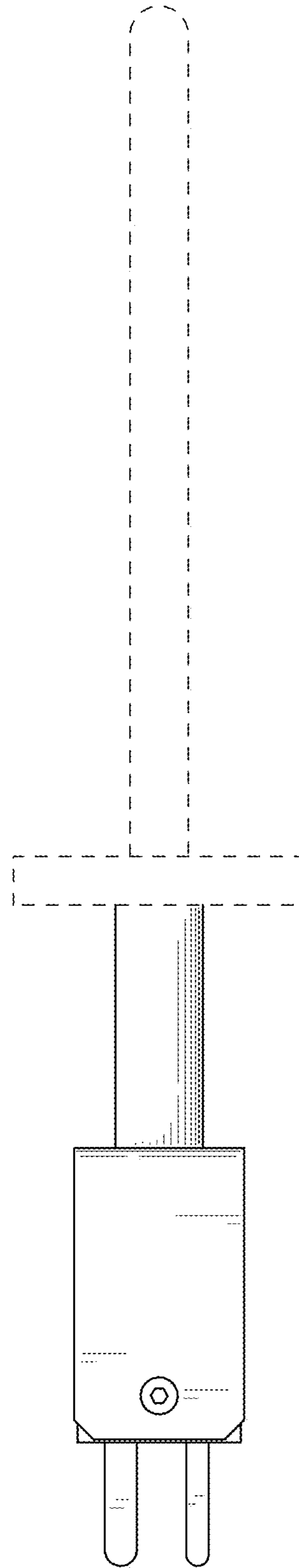


FIG. 6

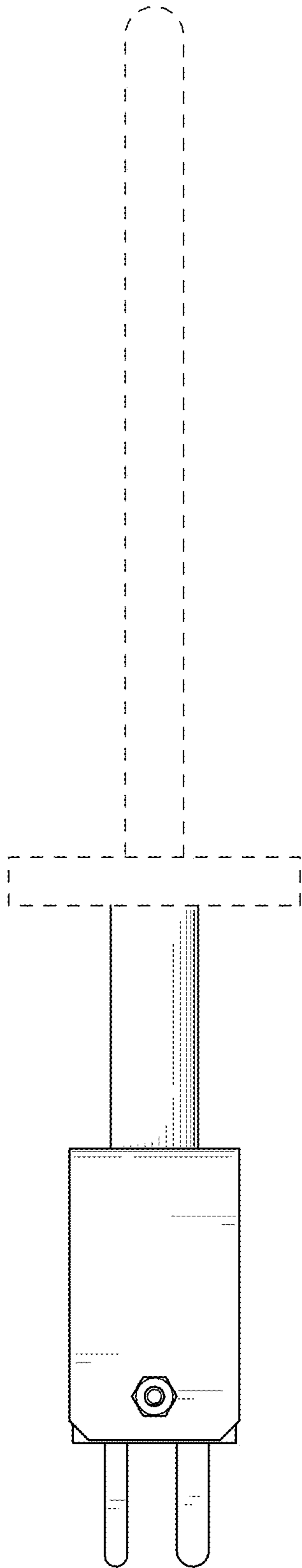


FIG. 7

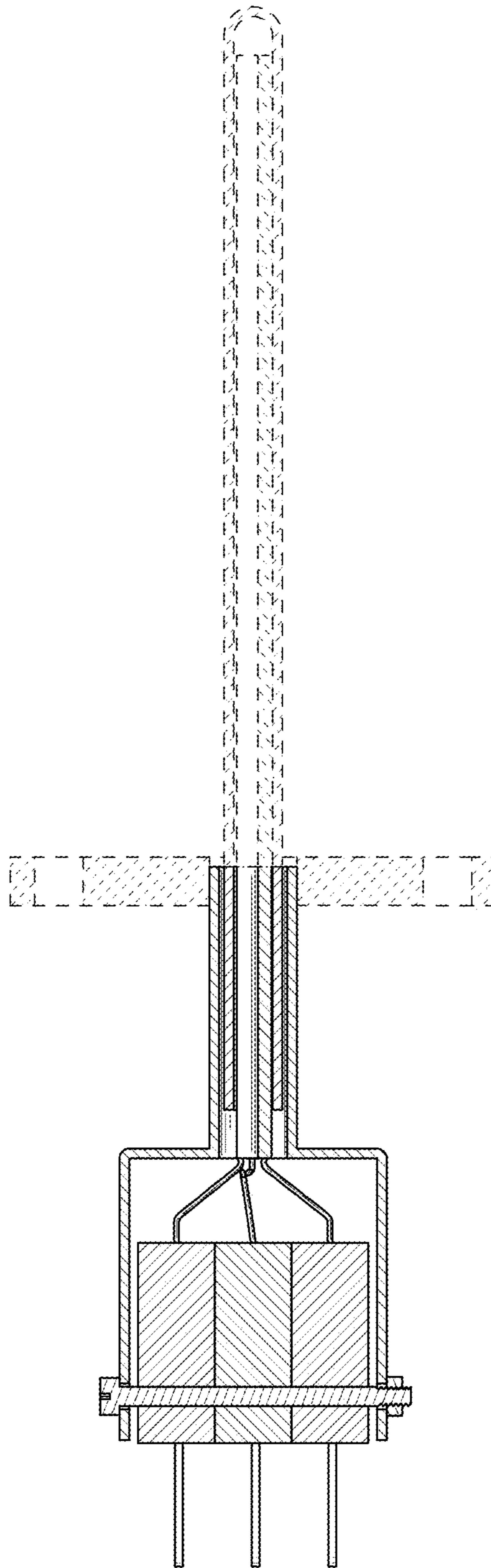


FIG. 8

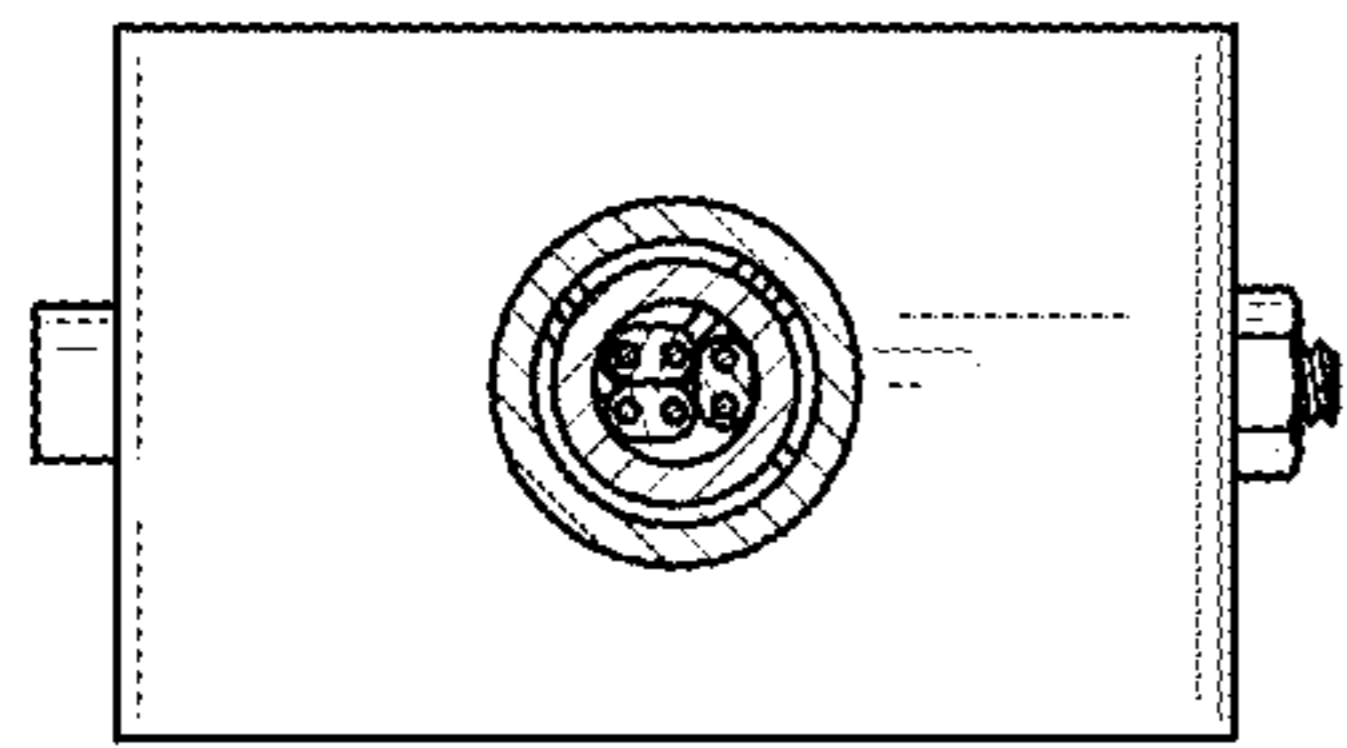


FIG. 9

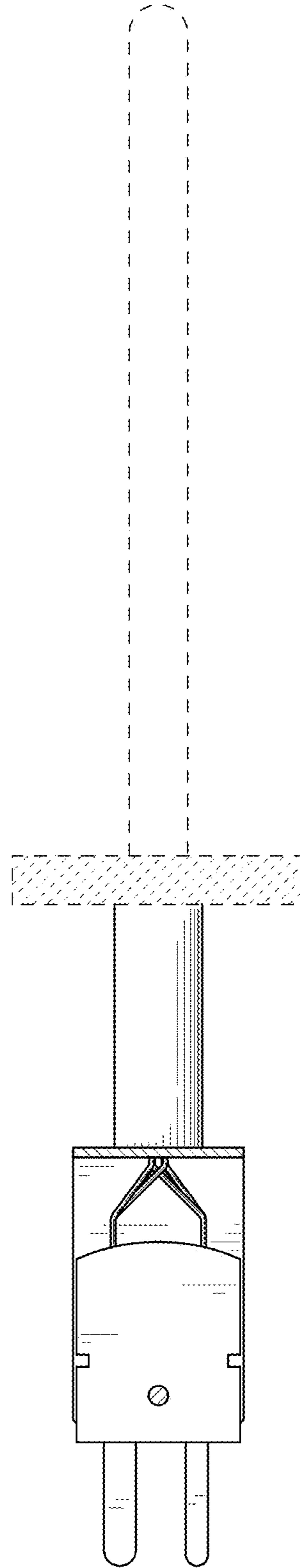


FIG. 10