



US00D924700S

(12) **United States Design Patent**  
**Xu**

(10) **Patent No.:** **US D924,700 S**

(45) **Date of Patent:** **\*\* Jul. 13, 2021**

(54) **WATER TIMER**

(71) Applicant: **Ningbo Hanci Electrical Co., Ltd.**,  
Ningbo (CN)

(72) Inventor: **Kaijing Xu**, Ningbo (CN)

(73) Assignee: **Ningbo Hanci Electrical Co., Ltd.**,  
Ningbo (CN)

(\*\*) Term: **15 Years**

(21) Appl. No.: **29/757,596**

(22) Filed: **Nov. 6, 2020**

(30) **Foreign Application Priority Data**

Oct. 28, 2020 (CN) ..... 202030645981.1

(51) **LOC (13) Cl.** ..... **10-03**

(52) **U.S. Cl.**  
USPC ..... **D10/40**

(58) **Field of Classification Search**  
USPC ..... D10/40-41, 49, 96-97, 99, 102-103;  
D13/162.1, 171, 184; D23/214  
CPC ..... A01G 25/16; A01G 25/165; G05B  
2219/2625  
See application file for complete search history.

(56) **References Cited**

**U.S. PATENT DOCUMENTS**

D485,502 S \* 1/2004 Clivio ..... A01G 25/165  
D10/40  
D550,298 S \* 9/2007 Luciano, Jr. .... D13/171  
D567,680 S \* 4/2008 Michael ..... D10/40

D630,952 S \* 1/2011 Nies ..... D10/40  
D643,755 S \* 8/2011 Nies ..... D10/40  
D679,202 S \* 4/2013 Hu ..... D10/40  
D714,663 S \* 10/2014 Chandran ..... D10/40  
D722,895 S \* 2/2015 Chandran ..... D10/40  
9,581,264 B1 \* 2/2017 Ericksen ..... A01G 25/16  
D784,173 S \* 4/2017 Briganti ..... D10/96  
D837,664 S \* 1/2019 Cheng ..... D10/40  
D857,529 S \* 8/2019 Rodriguez ..... D10/49  
D886,645 S \* 6/2020 Chen ..... D10/40  
D891,279 S \* 7/2020 Gilley ..... D10/96  
D896,105 S 9/2020 Xu  
10,959,385 B1 \* 3/2021 Chen ..... E03B 7/04  
2020/0271233 A1 \* 8/2020 Ye ..... F16K 31/44

\* cited by examiner

*Primary Examiner* — Katherine Glennon

(74) *Attorney, Agent, or Firm* — ScienBiziP, P.C.

(57) **CLAIM**

The ornamental design for a water timer, as shown and described.

**DESCRIPTION**

FIG. 1 is a top perspective view of a water timer, showing my design.

FIG. 2 is a bottom perspective view thereof.

FIG. 3 is a front elevation view thereof.

FIG. 4 is a rear elevation view thereof.

FIG. 5 is a left side elevation thereof.

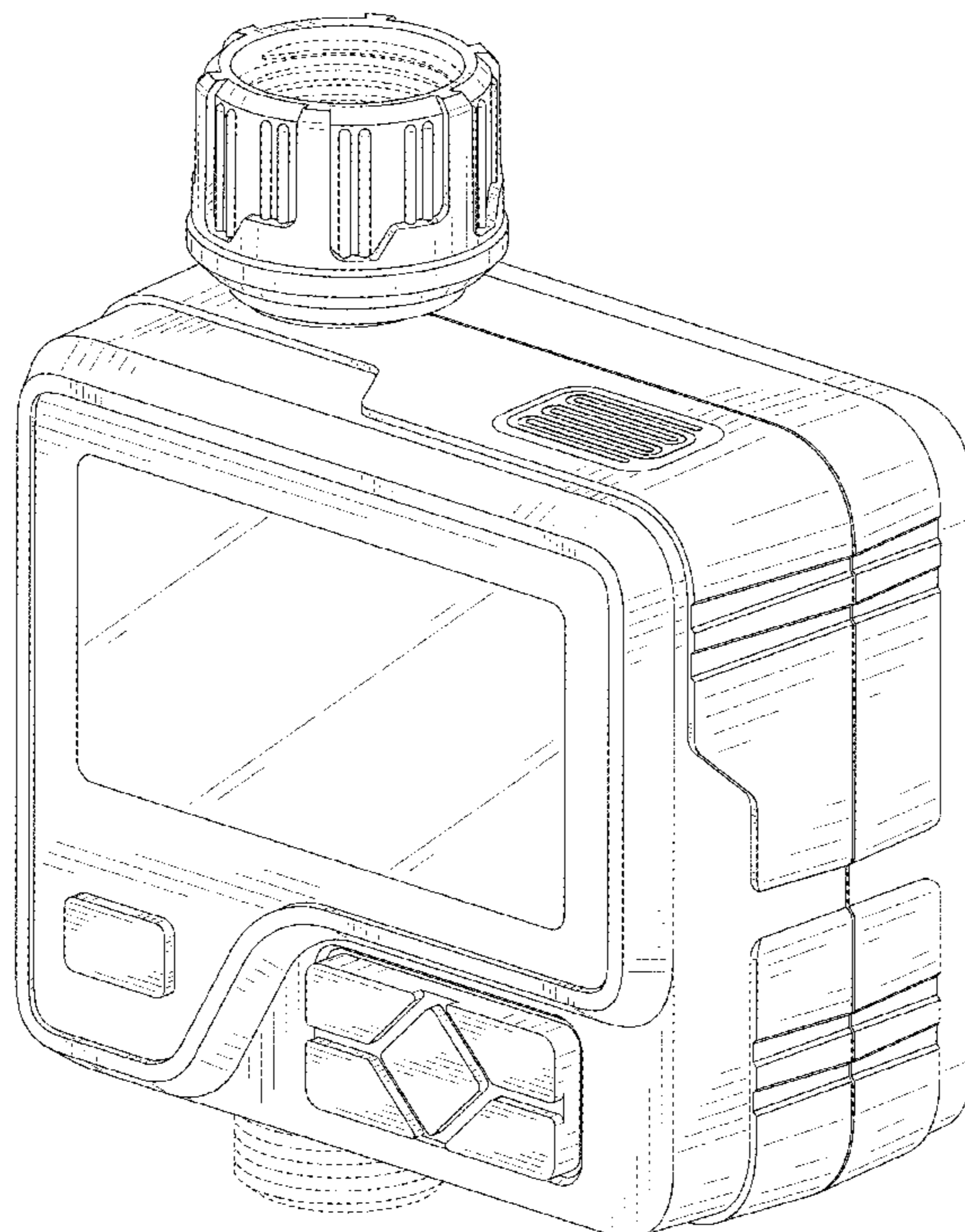
FIG. 6 is a right side elevation thereof.

FIG. 7 is a top plan view thereof; and,

FIG. 8 is a bottom plan view thereof.

The broken lines in the drawings depict portions of the water timer that form no part of the claimed design.

**1 Claim, 8 Drawing Sheets**



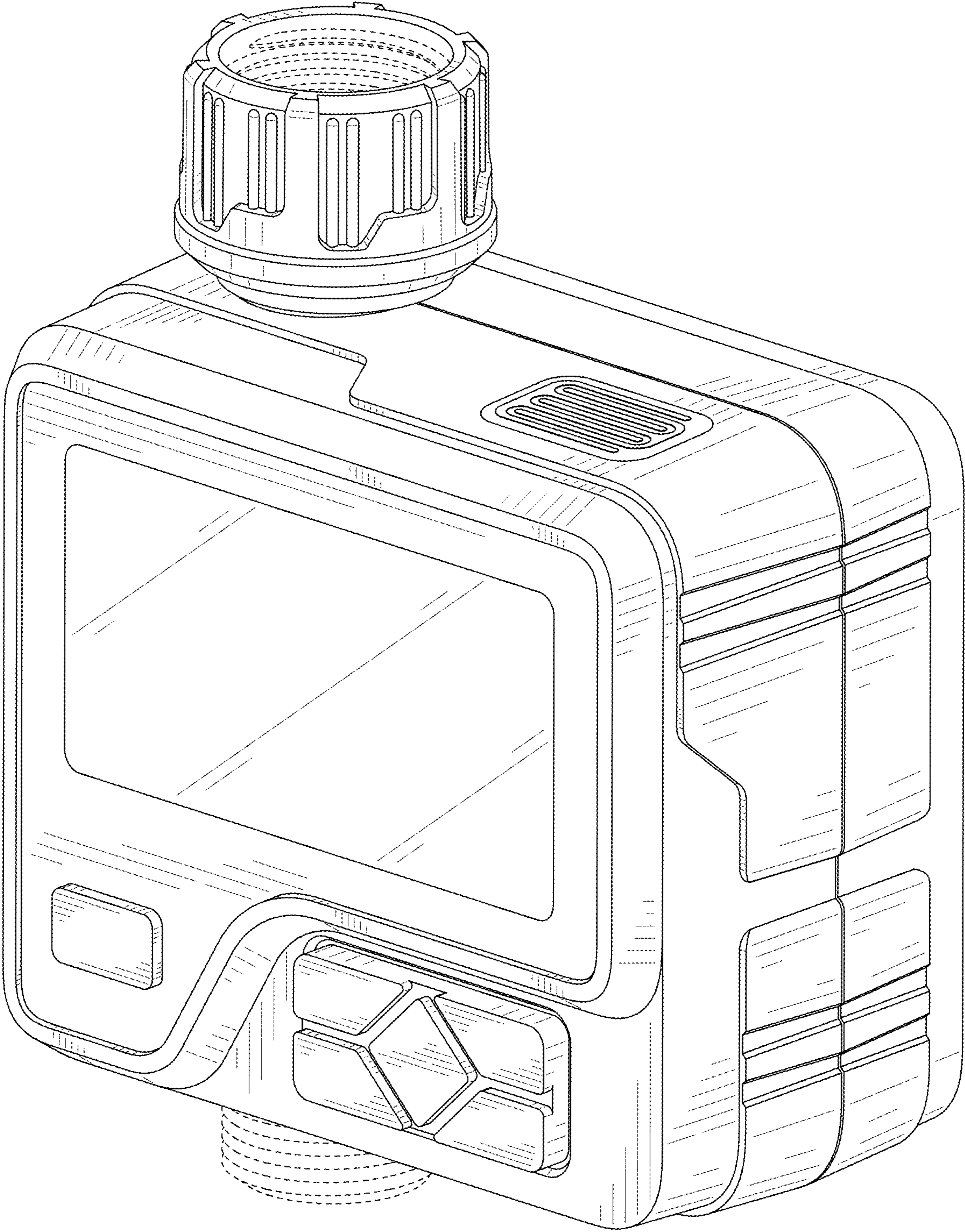


FIG. 1

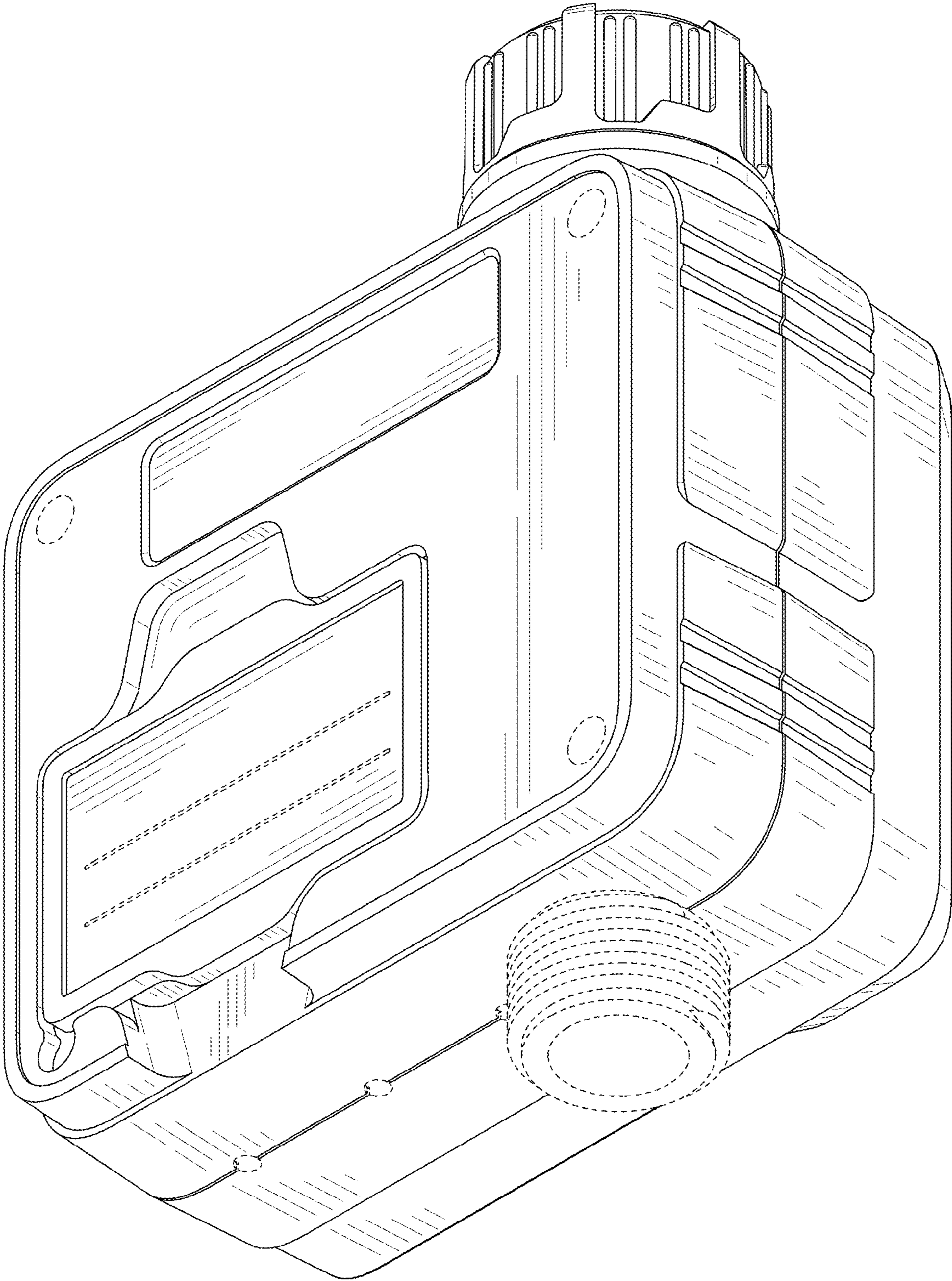


FIG. 2

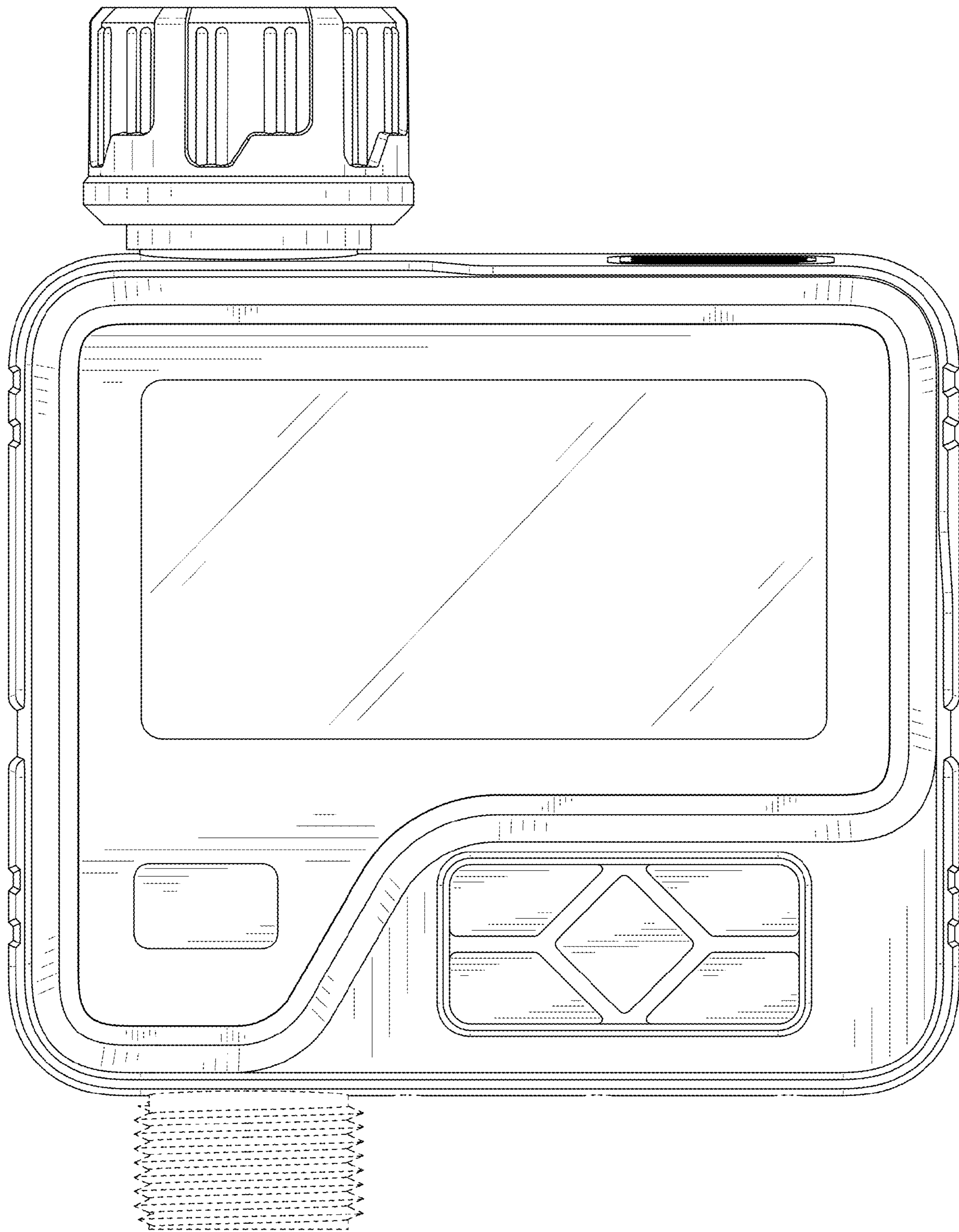


FIG. 3

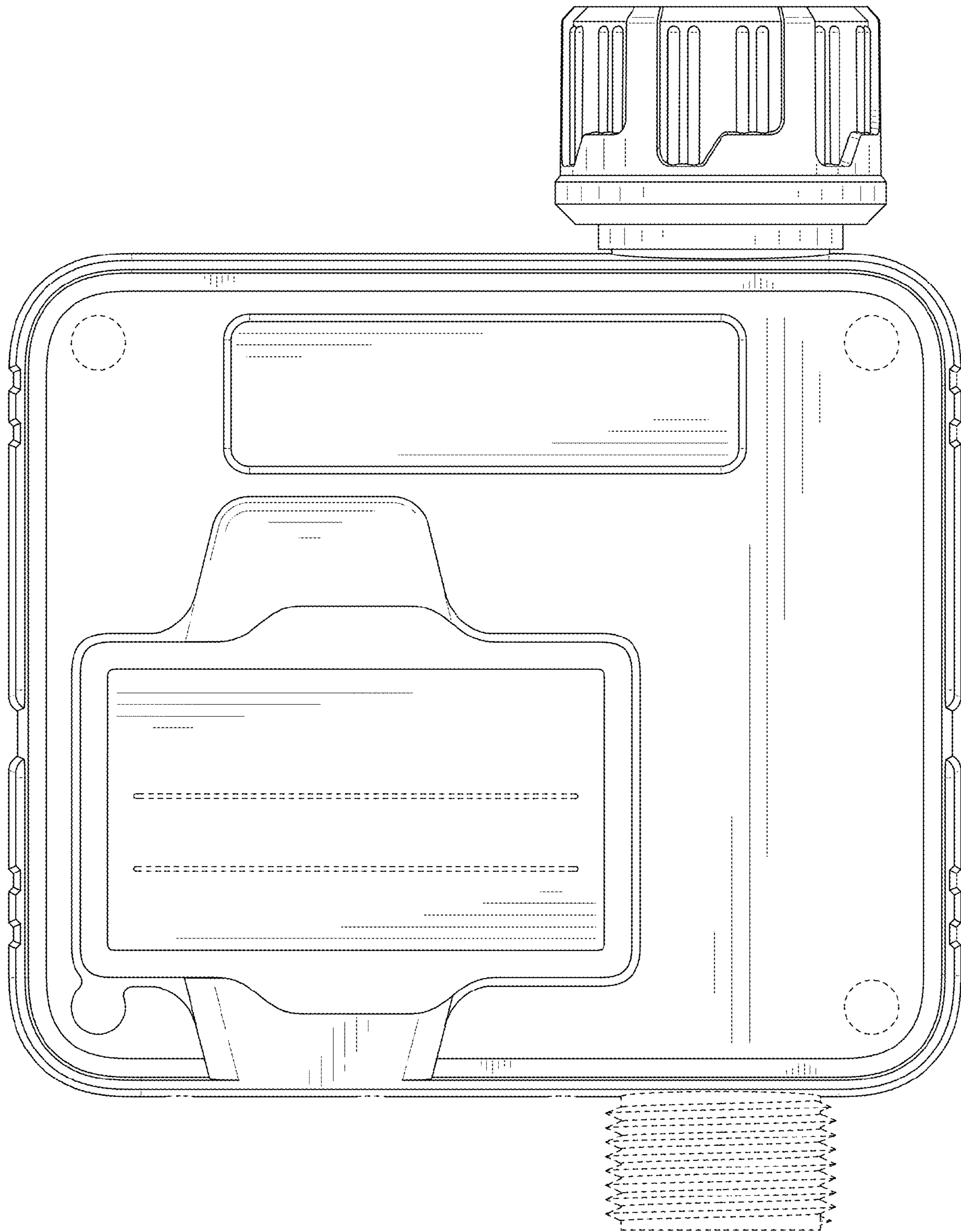


FIG. 4

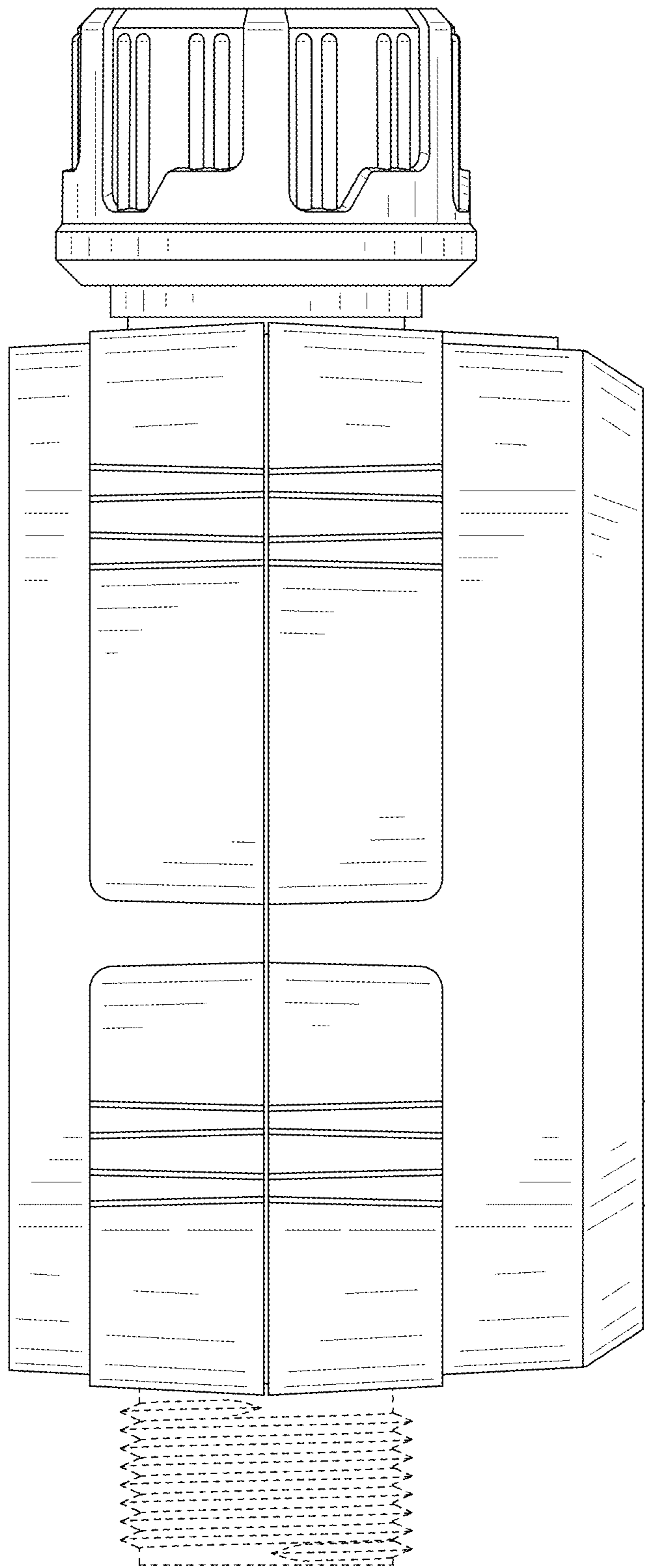


FIG. 5

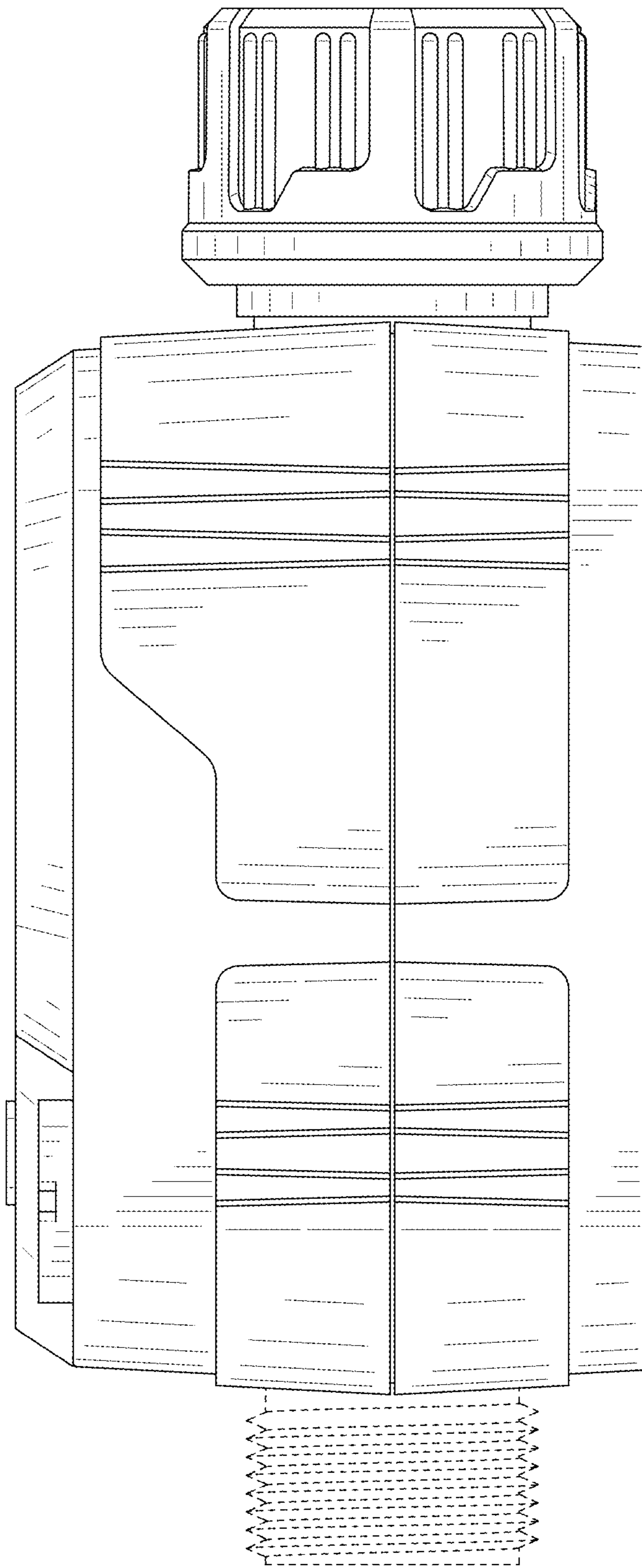


FIG. 6

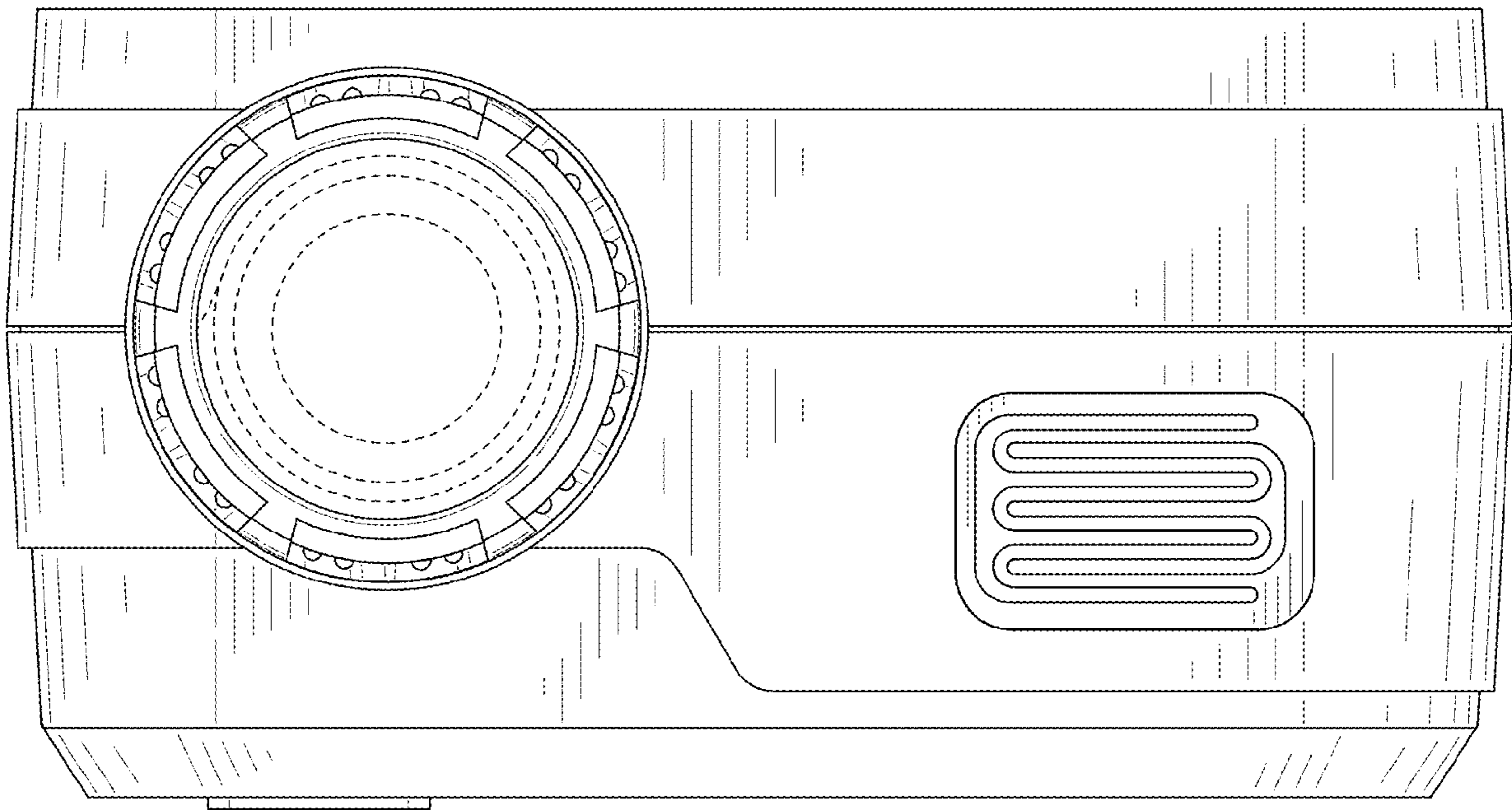


FIG. 7



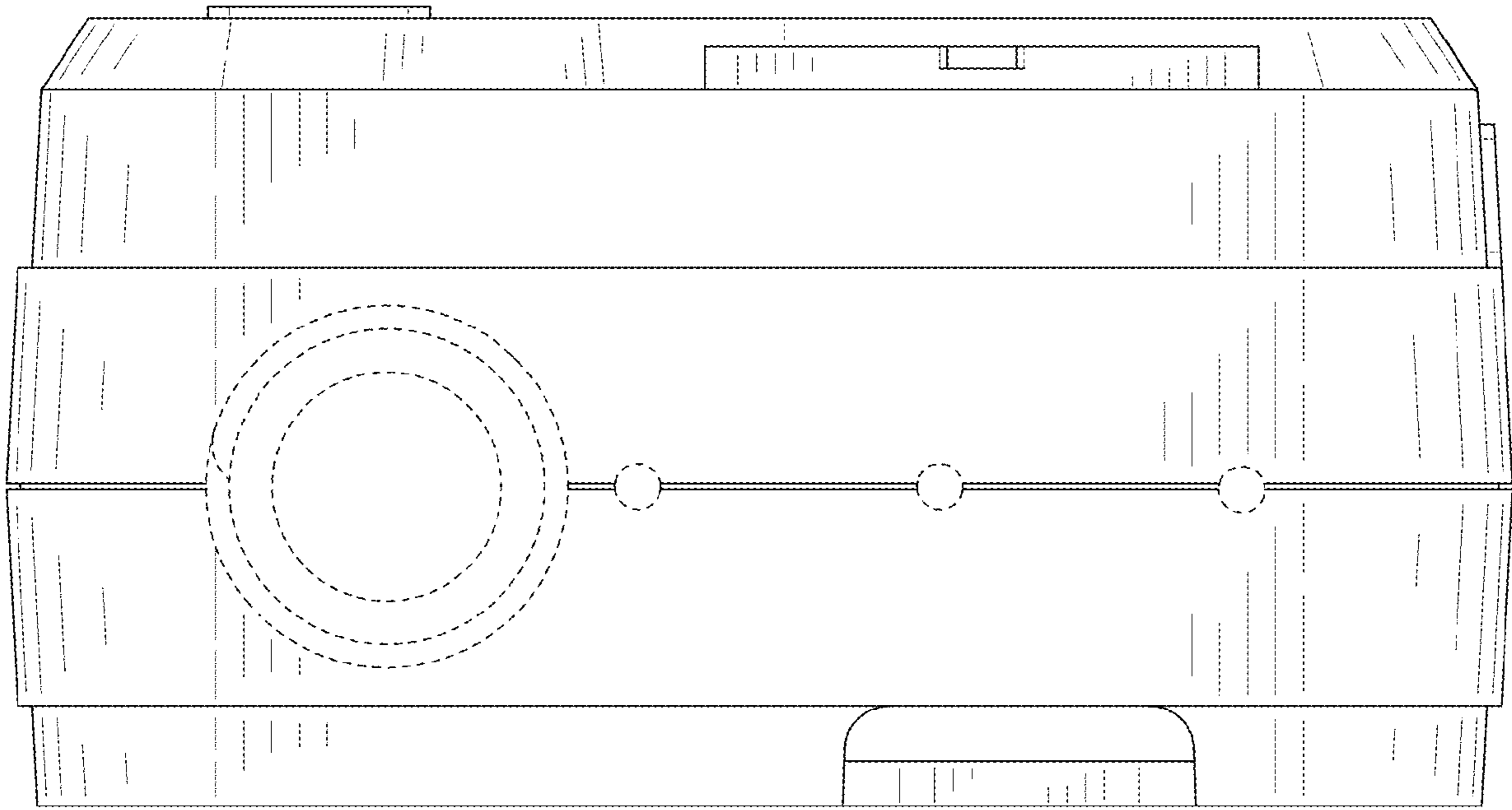


FIG. 8