



US00D924695S

(12) **United States Design Patent** (10) **Patent No.:** **US D924,695 S**
Dominion et al. (45) **Date of Patent:** **** *Jul. 13, 2021**

- (54) **CONTAINER**
- (71) Applicant: **D6 Inc.**, Portland, OR (US)
- (72) Inventors: **Ed Dominion**, Portland, OR (US);
Martin Troudt, Portland, OR (US);
Ben McGregor, Portland, OR (US)
- (73) Assignee: **D6 Inc.**, Portland, OR (US)
- (*) Notice: This patent is subject to a terminal disclaimer.
- (**) Term: **15 Years**
- (21) Appl. No.: **29/732,019**
- (22) Filed: **Apr. 20, 2020**

Related U.S. Application Data

- (62) Division of application No. 29/606,000, filed on May 31, 2017, now Pat. No. Des. 885,201.
- (51) **LOC (13) Cl.** **09-03**
- (52) **U.S. Cl.**
USPC **D9/737; D7/553.4**
- (58) **Field of Classification Search**
USPC D9/341, 347, 414-432, 440, 444, 447,
D9/449, 450-454, 503, 504, 737, 759,
D9/761; D7/672, 601, 550.1, 551.1,
D7/551.2, 551.3, 552.1, 552.2, 553.1,
D7/553.2, 553.3, 553.4, 553.5, 553.7,
D7/553.8, 554.1, 554.3, 555, 557, 602,
D7/629, 630, 538-542, 612-615, 584,
D7/586, 587, 392.1, 709, 502, 608, 622,
D7/701, 703, 543-549, 317-319, 391,
D7/392, 396.2, 510, 511; D3/273,
D3/201-206, 276, 283, 284, 295, 274,
D3/302; D11/143; 249/126, 134;
206/216, 217, 541-550, 518, 557, 558,
206/561, 564, 223, 467; 220/669-673,
220/675, 574-575, 573.1, 4.21, 660, 326,
220/236, 780-806, 4.24, 288, 260, 266,

220/306, 352, 356, 523, 23.8, 23.2, 23.83,
220/23.4, 662, 700, 701, 703, 711,
220/713-715, 719; 426/106; 229/107,
(Continued)

(56) **References Cited**

U.S. PATENT DOCUMENTS

D185,911 S	8/1959	Chadbourne
4,026,457 A	5/1977	Schubert
5,497,885 A	3/1996	Sussman

(Continued)

OTHER PUBLICATIONS

7 Compartment Party Tray, Available Apr. 29, 2018, online site visited Apr. 29, 2018, available from internet <URL> <https://www.brenmarco.com/product7-compartment-party-tray> ,2018.
(Continued)

Primary Examiner — W. A. Teddy Falloway
(74) *Attorney, Agent, or Firm* — Stoel Rives LLP

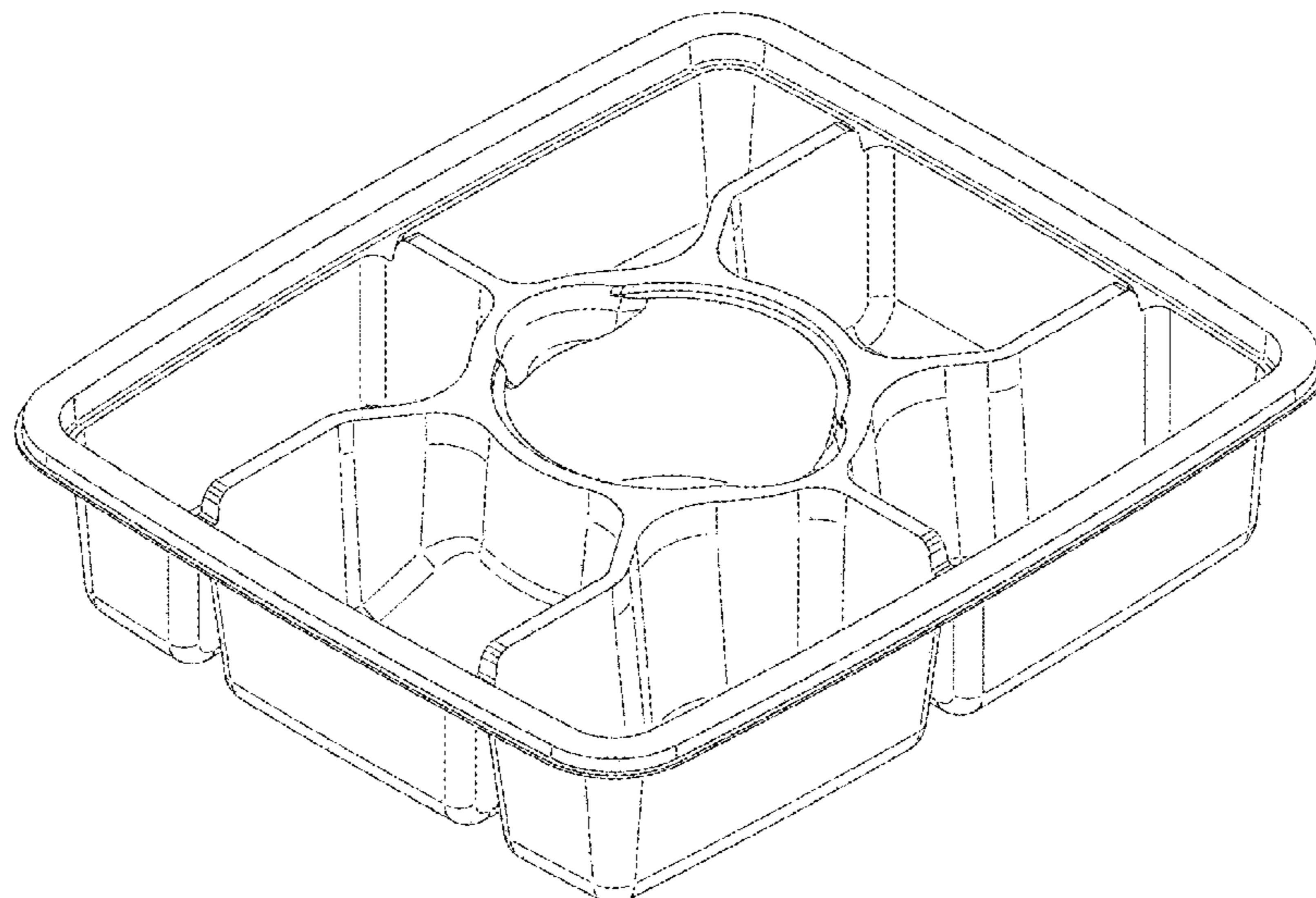
(57) **CLAIM**

The ornamental design for a container, as shown and described.

DESCRIPTION

FIG. 1 is a front, top isometric view of a container of our new design;
FIG. 2 is a front elevational view of the container of FIG. 1, the rear elevational view being identical thereto;
FIG. 3 is a right elevational view of the container of FIG. 1, the left elevational view being identical thereto.
FIG. 4 is a top plan view of the container of FIG. 1.
FIG. 5 is a bottom plan view of the container of FIG. 1.
FIG. 6 is a bottom isometric view of the container of FIG. 1; and,
FIG. 7 is a top isometric view of the container of FIG. 1.

1 Claim, 6 Drawing Sheets



(58) **Field of Classification Search**

USPC ... 229/406, 120, 125.17; 215/211, 200, 224,
215/243
CPC B65D 1/36; B65D 2543/00194; B65D
2543/00296; B65D 2543/00555; B65D
2581/3425; B65D 25/04; B65D 43/0218;
B65D 2543/00083; B65D 2543/00268;
B65D 2543/00277; B65D 2543/00351;
B65D 81/3453; B65D 43/16; B65D
51/28; B65D 43/162; B65D 1/24; B65D
21/0237; B65D 2543/00101; A47G 19/02;
A47G 19/065; A47G 23/0608; A47G
23/06

See application file for complete search history.

D698,665 S	2/2014	Sifuentes	
D698,666 S	2/2014	Sifuentes	
D698,667 S	2/2014	Snedden	
D723,391 S	3/2015	Snedden	
D729,588 S	5/2015	Breton	
D731,248 S	6/2015	Breton	
D734,098 S	7/2015	Breton	
D737,633 S	9/2015	Breton	
D747,151 S	1/2016	Liming	
D802,368 S	11/2017	Peng	
D839,752 S	2/2019	Dominion et al.	
D884,482 S *	5/2020	Dominion	D9/737
D884,483 S *	5/2020	Dominion	D9/737
D885,201 S *	5/2020	Dominion	D9/737
D887,782 S *	6/2020	Fager	D7/553.1
D894,018 S *	8/2020	Dominion	D9/737
2009/0092738 A1	4/2009	Shew	
2013/0081361 A1	4/2013	Miros	

(56) **References Cited**

U.S. PATENT DOCUMENTS

D414,409 S	9/1999	Sanfilippo
D482,280 S	11/2003	Pratte
6,752,288 B1	6/2004	Swift
D504,326 S	4/2005	Vovan
D515,939 S	2/2006	Al Sanea
7,017,774 B2	3/2006	Haedt
7,083,818 B2	8/2006	Pratte
D572,148 S	7/2008	Mangino et al.
7,874,449 B1	1/2011	Studee
D647,807 S	11/2011	Golota et al.
D653,963 S	2/2012	Golota
D695,077 S	12/2013	Chase

OTHER PUBLICATIONS

Cafeteria Mess Trays, Available Nov. 29, 2017, online site visited Apr. 29, 2018, available from internet <URL>: https://www.amazon.com/Cafeteria-16-inch-11-inch-rectangular-6-compartment/dp/B077TD55CC/ref=sr_1_5?ie=UTF8&qid=1525060652&sr=8-5keywords=divided+tray, 2017.

Pack a Healthy and Yummy Lunch that Your Picky Eater will Actually Enjoy, Available Jun. 6, 2013, visited online site Apr. 29, 2018, available from internet <URL> <https://www.yumboxlunch.com/blog/feeding/2013/06/pack-a-healthy-lunch-that-your-picky-eater-will-actually-enjoy/>, 2013.

* cited by examiner

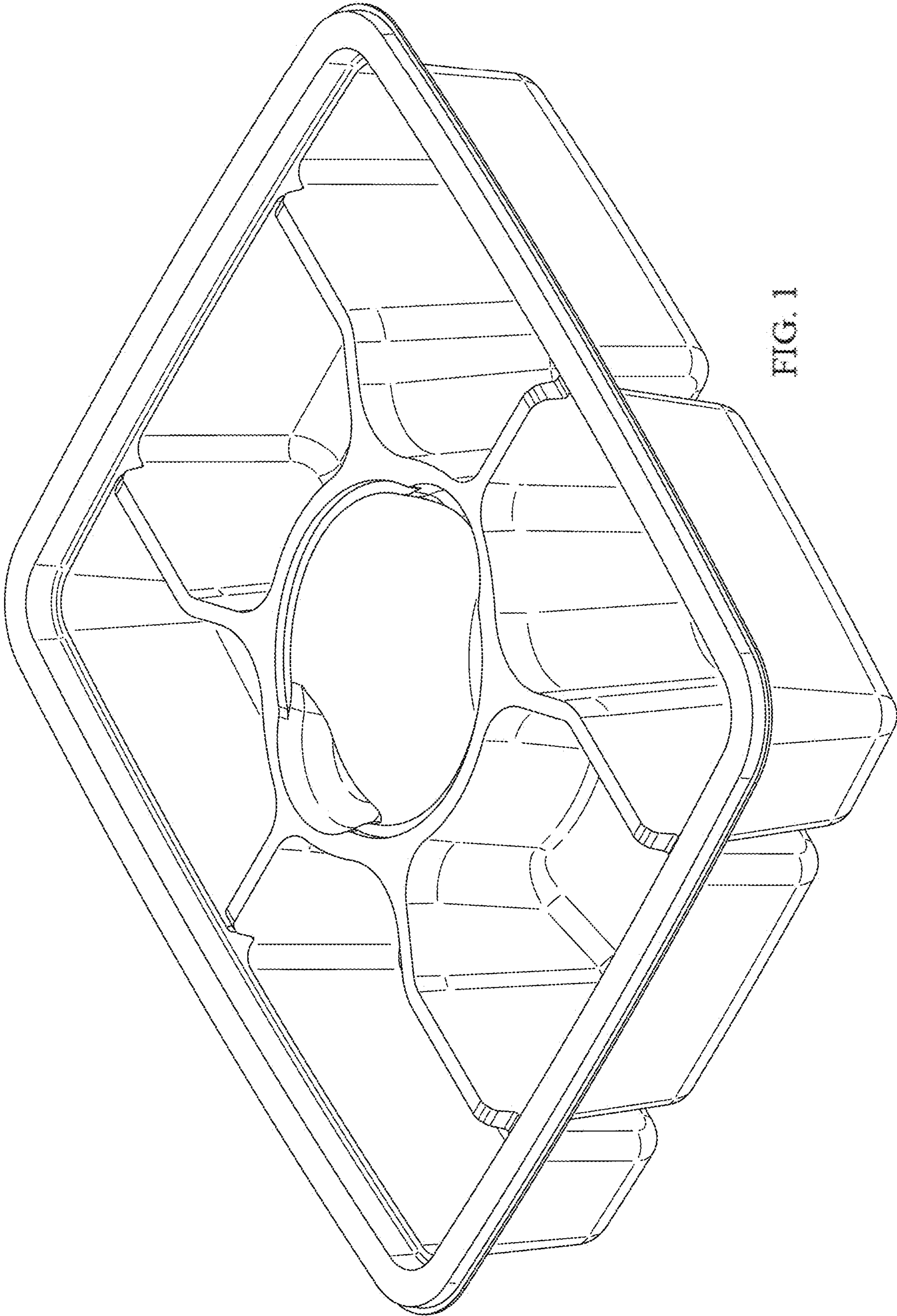


FIG. 1

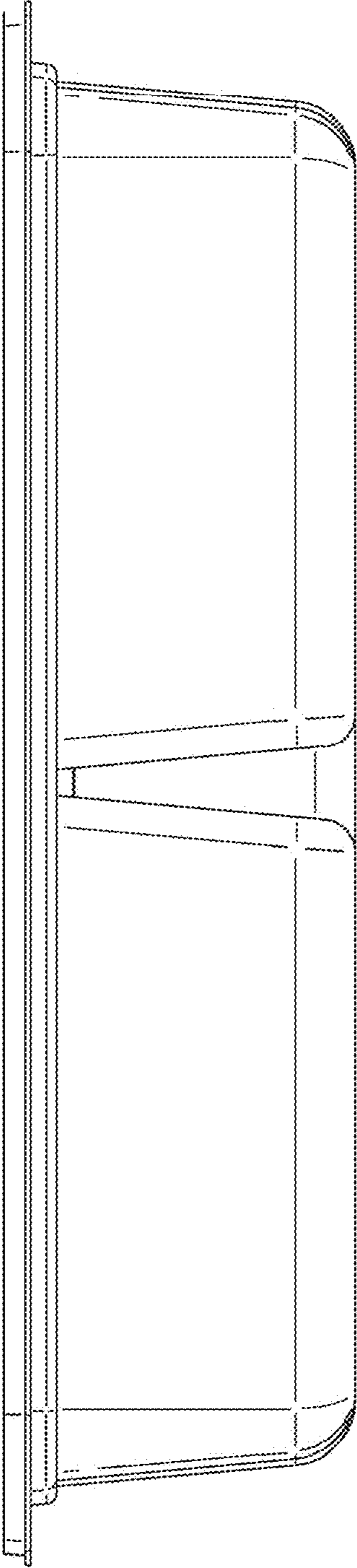


FIG. 2

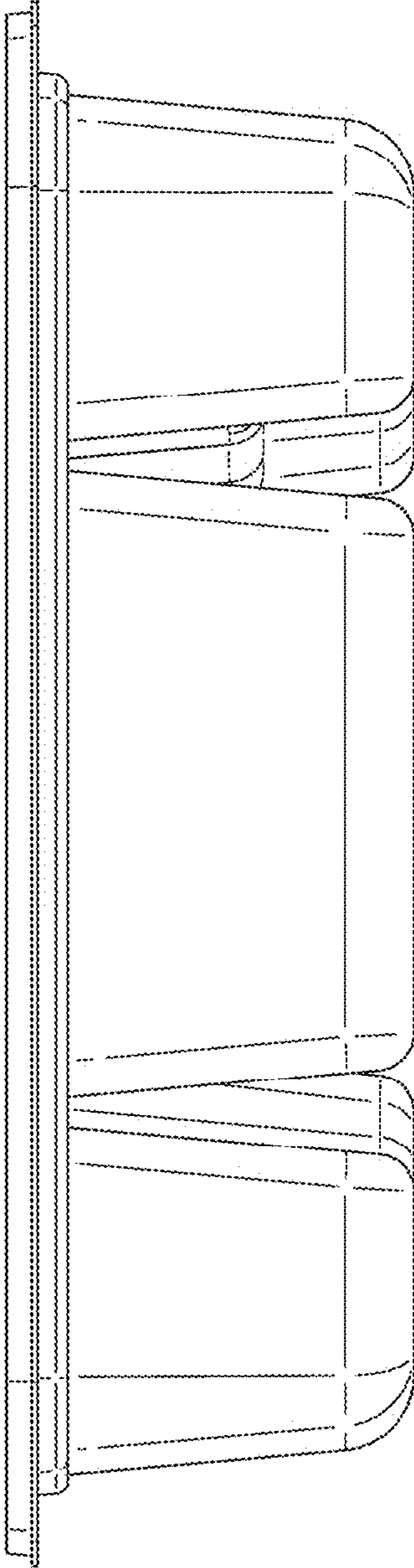


FIG. 3

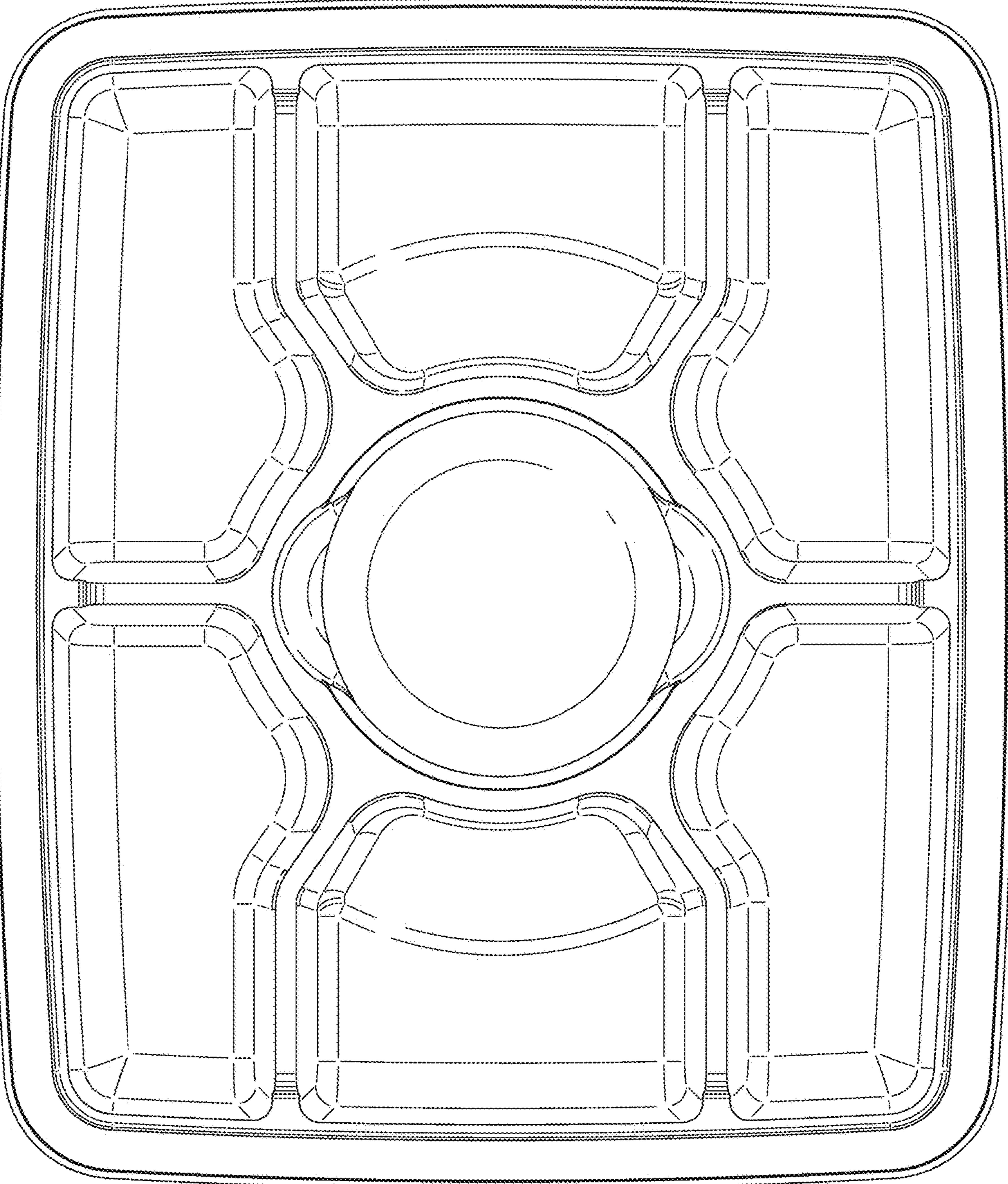


FIG. 4

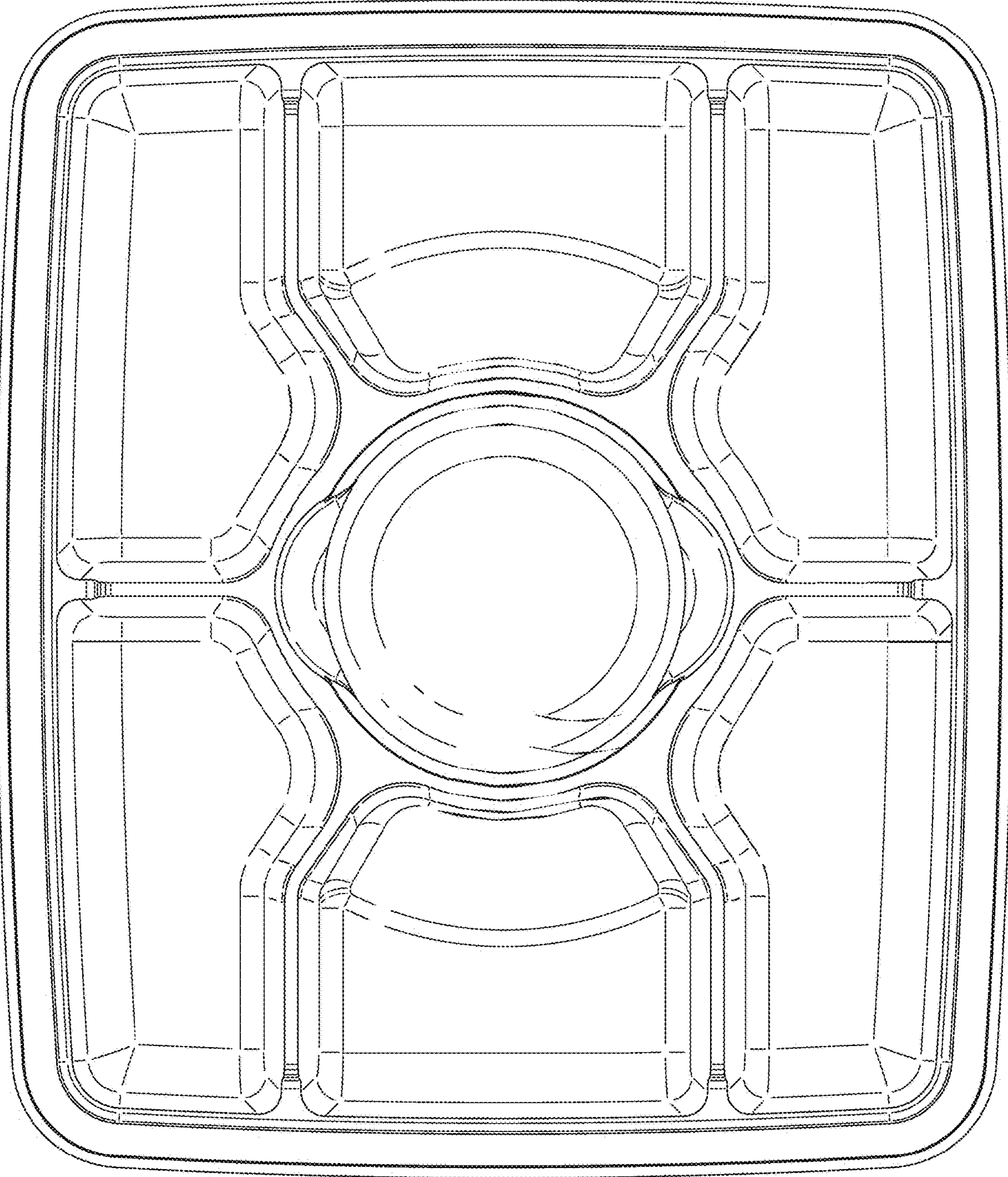


FIG. 5

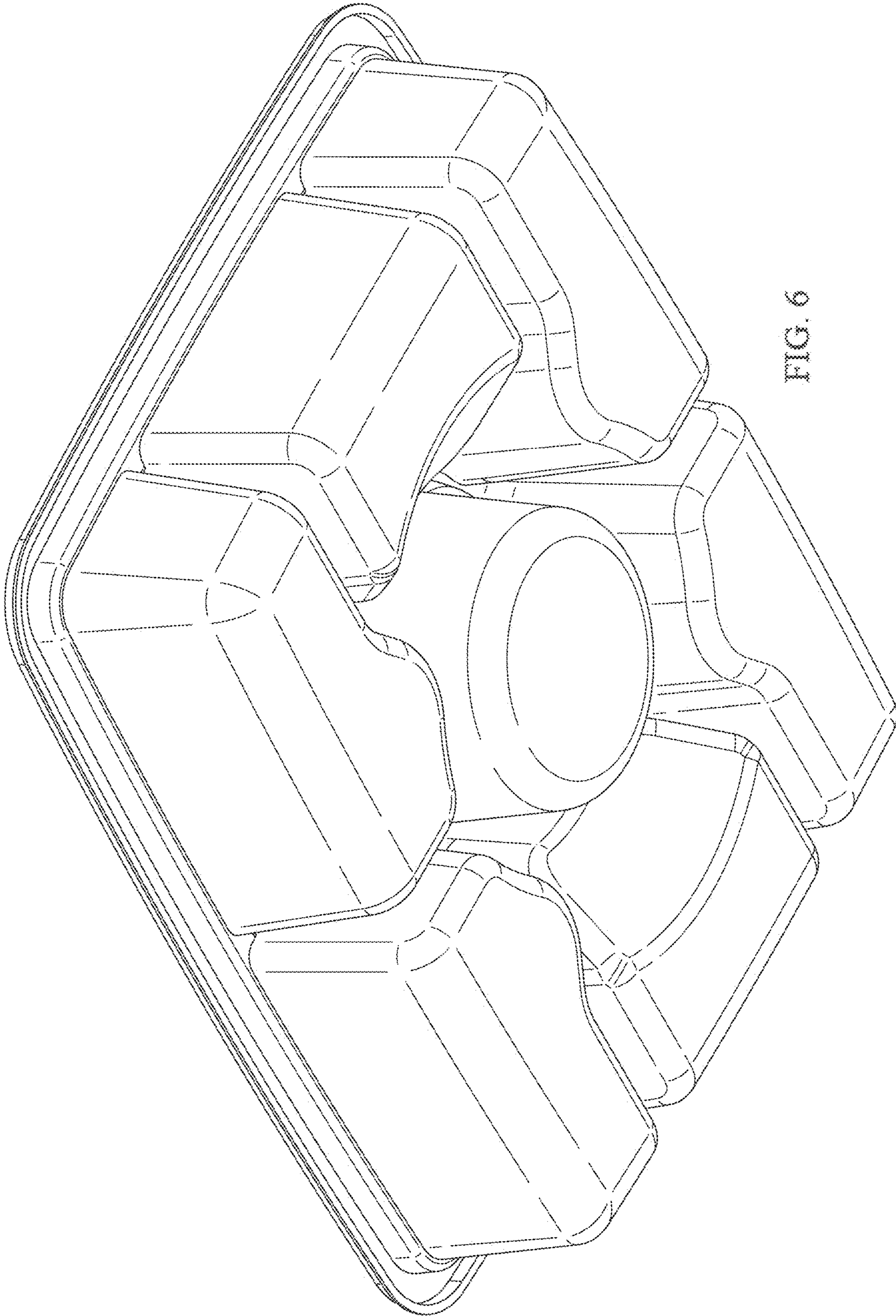


FIG. 6

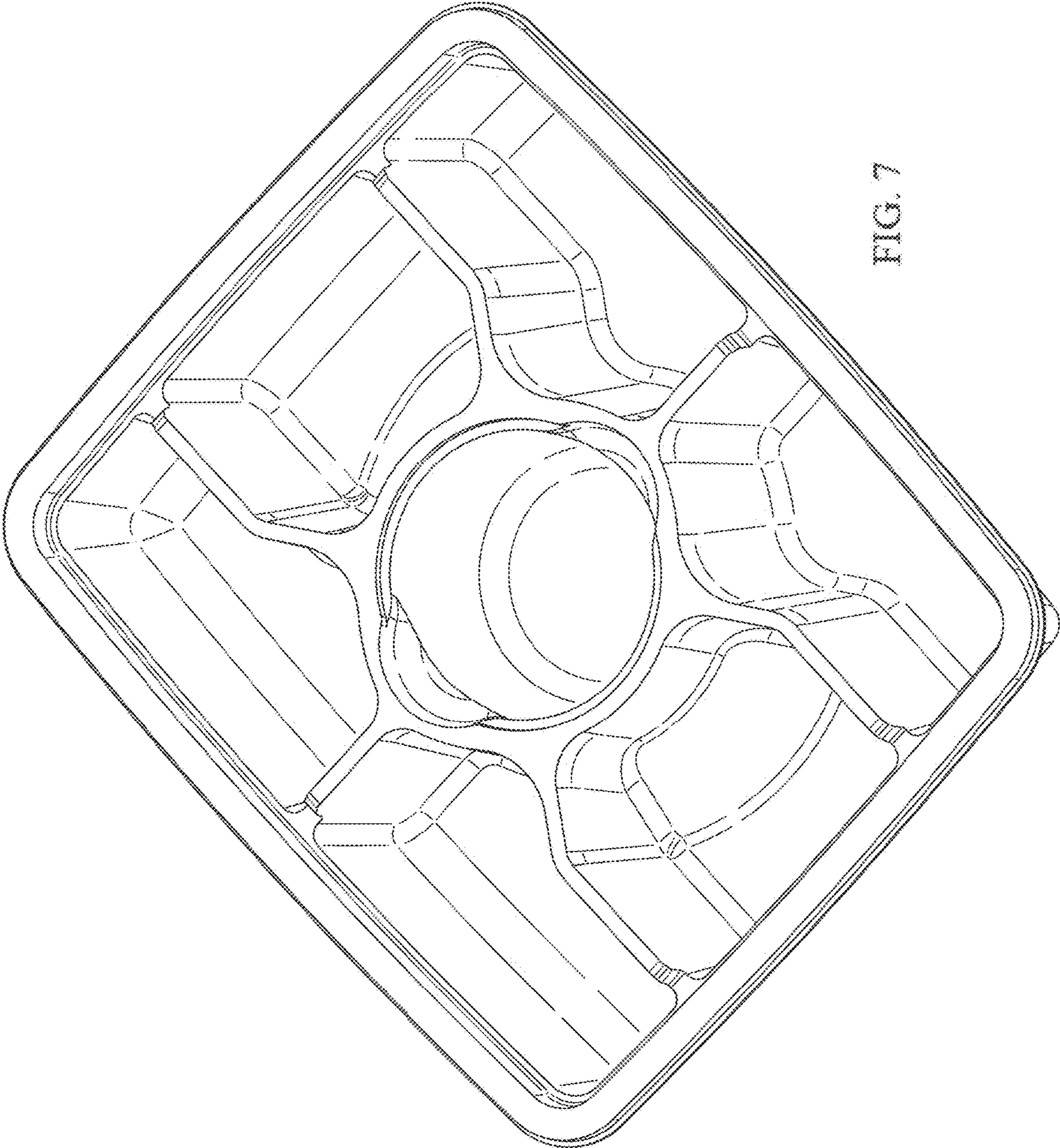


FIG. 7