



US00D924694S

(12) **United States Design Patent** (10) **Patent No.:** **US D924,694 S**
Otani et al. (45) **Date of Patent:** **** Jul. 13, 2021**

(54) **COSMETIC BOTTLE**

OTHER PUBLICATIONS

(71) Applicant: **ELC MANAGEMENT LLC**, Melville, NY (US)

<https://beautyndbest.com/2019/02/03/estee-lauder-night-repair-serum-review/> Estee Lauder Advance Night Repair Serum; Review Beauty the Best; published on the website on Feb. 3, 2019.

(72) Inventors: **Laura Otani**, New York, NY (US);
Maria Portiansky, Brooklyn, NY (US);
Judith Shalva Waletzky, Brooklyn, NY (US)

(Continued)

Primary Examiner — Janice Patyk

(74) *Attorney, Agent, or Firm* — Tiffany A. Johnson

(73) Assignee: **ELC Management LLC**, Melville, NY (US)

(57) **CLAIM**

(**) Term: **15 Years**

The ornamental design for a cosmetic bottle, as shown and described.

(21) Appl. No.: **29/715,963**

DESCRIPTION

(22) Filed: **Dec. 5, 2019**

(51) **LOC (13) Cl.** **09-01**

(52) **U.S. Cl.**
USPC **D9/723**

(58) **Field of Classification Search**
USPC D9/442, 503, 695–699, 702–714,
D9/723–729; D24/199; D28/7;
132/317, 318, 320; 222/95, 207, 212,
222/335

CPC A45D 34/00; A45D 40/00; B65D 81/3272
See application file for complete search history.

FIG. 1 is a top perspective view of a cosmetic bottle, showing our new design;
FIG. 2 is a bottom perspective view thereof;
FIG. 3 is a front view thereof;
FIG. 4 is a rear view thereof;
FIG. 5 is a left side view thereof;
FIG. 6 is a right side view thereof;
FIG. 7 is a top view thereof;
FIG. 8 is a bottom view thereof;
FIG. 9 is a top, exploded top perspective view thereof;
FIG. 10 is an exploded bottom view thereof;
FIG. 11 is an exploded front view thereof;
FIG. 12 is an exploded rear view thereof;
FIG. 13 is an exploded left side view thereof;
FIG. 14 is an exploded right side view thereof;
FIG. 15 is an exploded top view thereof; and,
FIG. 16 is an exploded bottom view thereof.

(56) **References Cited**

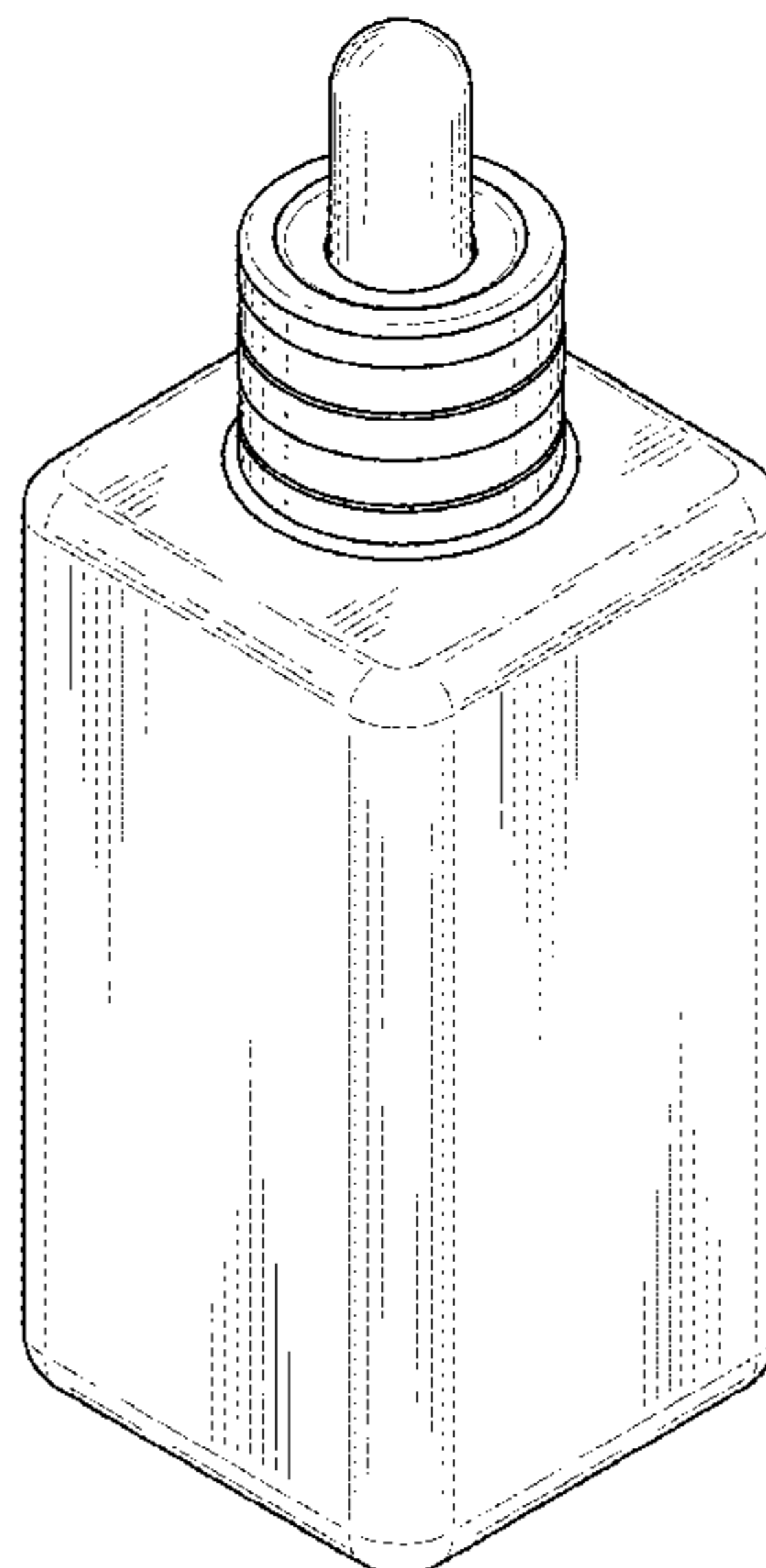
U.S. PATENT DOCUMENTS

D434,645 S * 12/2000 Adachi D9/694
D451,812 S * 12/2001 Colonna de Giovellina
D9/516
D571,219 S * 6/2008 McCoy D9/544
D602,785 S * 10/2009 Rothberg D9/547
D603,717 S * 11/2009 Rica D9/560
D622,608 S * 8/2010 Sansevero D9/616
D756,234 S * 5/2016 Orset D9/560
D796,964 S * 9/2017 Staab D9/560
D816,506 S * 5/2018 Jones D9/560
D833,291 S * 11/2018 Staab D9/560

The dot-dash broken lines immediately adjacent to the claimed areas in the views represent the boundaries of the design and form no part thereof.

None of the broken lines form any part of the claimed design.

1 Claim, 12 Drawing Sheets



(56)

References Cited

OTHER PUBLICATIONS

<https://reallyree.com/estee-lauder-advanced-night-repair-supersize/> Estee Lauder Advanced Night Repair Supersize 115ml; Really Ree for All Things Beauty; published on the website on Nov. 25, 2017.

<https://www.facebook.com/EsteeLauder/photos/10154676060402619> Facebook; Estee Lauder; published on the website on Nov. 28, 2015.

<https://www.facebook.com/EsteeLauder/photos/10158551628562619> Facebook; Estee Lauder; published on the website on Jul. 17, 2019.

[https://www.facebook.com/MyFreeProductSamples/photos/p.10156429420295878/10156429420295878?opaqueCursor=AbqLL5Z7HCDK4pMj1iPJ22mLjZDumRWWXCFEB5yHHfwhHg83PCfhf-Gj6BlqfYiUdqJcDKvfQTyDY_UJxOIUqERY_rICf . . .](https://www.facebook.com/MyFreeProductSamples/photos/p.10156429420295878/10156429420295878?opaqueCursor=AbqLL5Z7HCDK4pMj1iPJ22mLjZDumRWWXCFEB5yHHfwhHg83PCfhf-Gj6BlqfYiUdqJcDKvfQTyDY_UJxOIUqERY_rICf...) Facebook; My Free Product Samples; published on the website on Jun. 20, 2019.

https://www.instagram.com/p/BxNA_DAJgd/ advancednightrepairserum hashtag on Instagram Photos and Videos; ItStartedWithBlush; published on the website on May 9, 2019.
<https://www.instagram.com/p/BxxET54j1GS/> esteelauder Instagram photos and videos; Estee Lauder; published on the website on May 22, 2019.

<https://www.trbusiness.com/regional-news/international/lauder-reinvents-advanced-night-repair-with-intense-reset-concentrate/169832> Lauder reinvents Advanced Night Repair with Intense Reset Concentrate; Travel Retail Business; Charlotte Turner; published on the website on Aug. 5, 2019.

<https://www.youtube.com/watch?v=35PXMckwYAs> Estee Lauder Advanced Night Repair; Ulta Beauty YouTube; published on the website on Jan. 4, 2017.

<https://www.youtube.com/watch?v=6aWXlhA6wlQ> Press Reset Tonight New Advanced Night Repair Intense Reset Concentrate; Estee Lauder Malaysia; published on the website on Aug. 1, 2019.

<https://www.youtube.com/watch?v=vriuVz73Ulo> Night Me Up Este Lauder Advanced Night Repair: EsteeLauderHK YouTube; published on the website on Oct. 12, 2017.

* cited by examiner

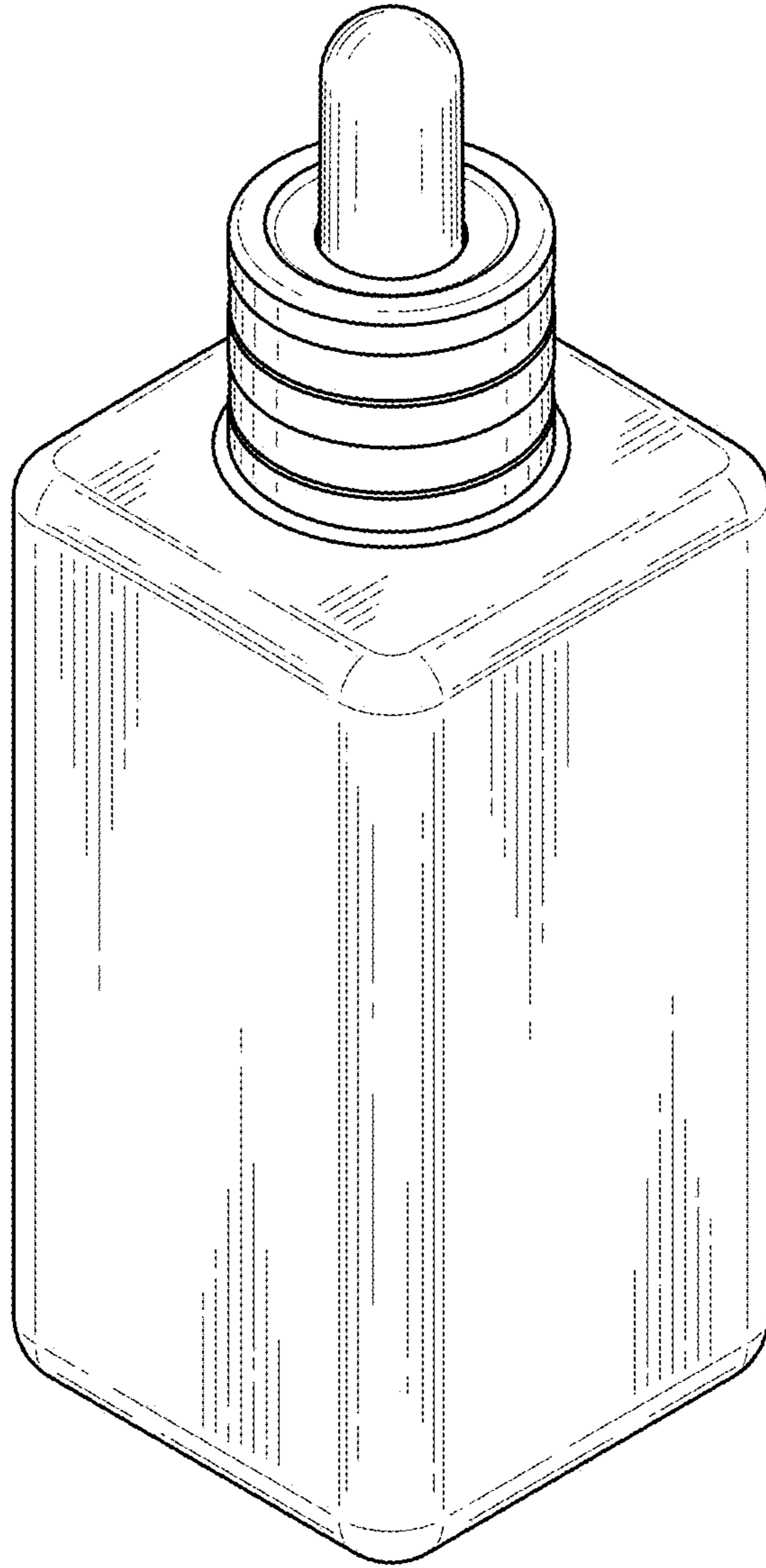


FIG. 1

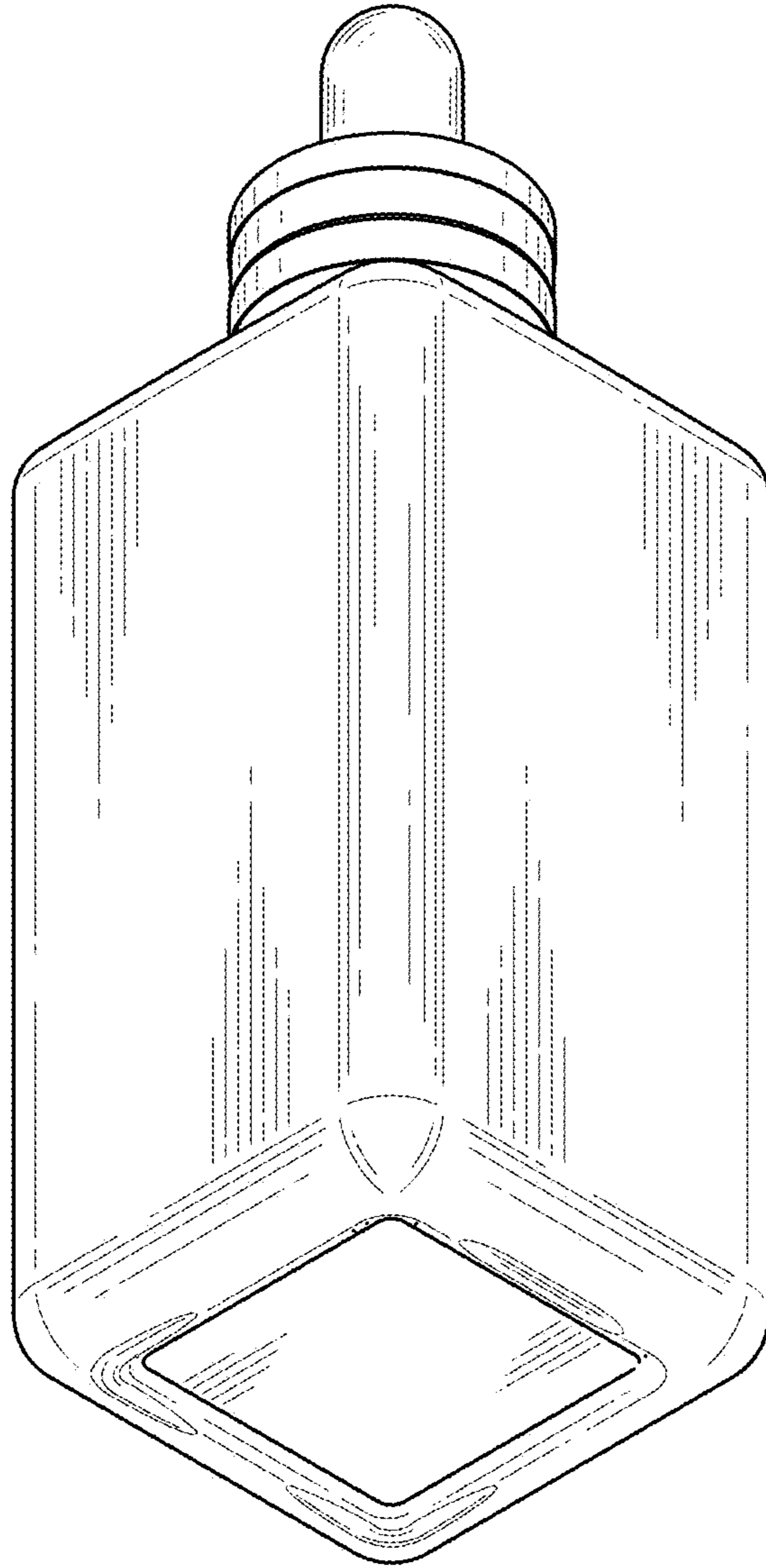


FIG. 2

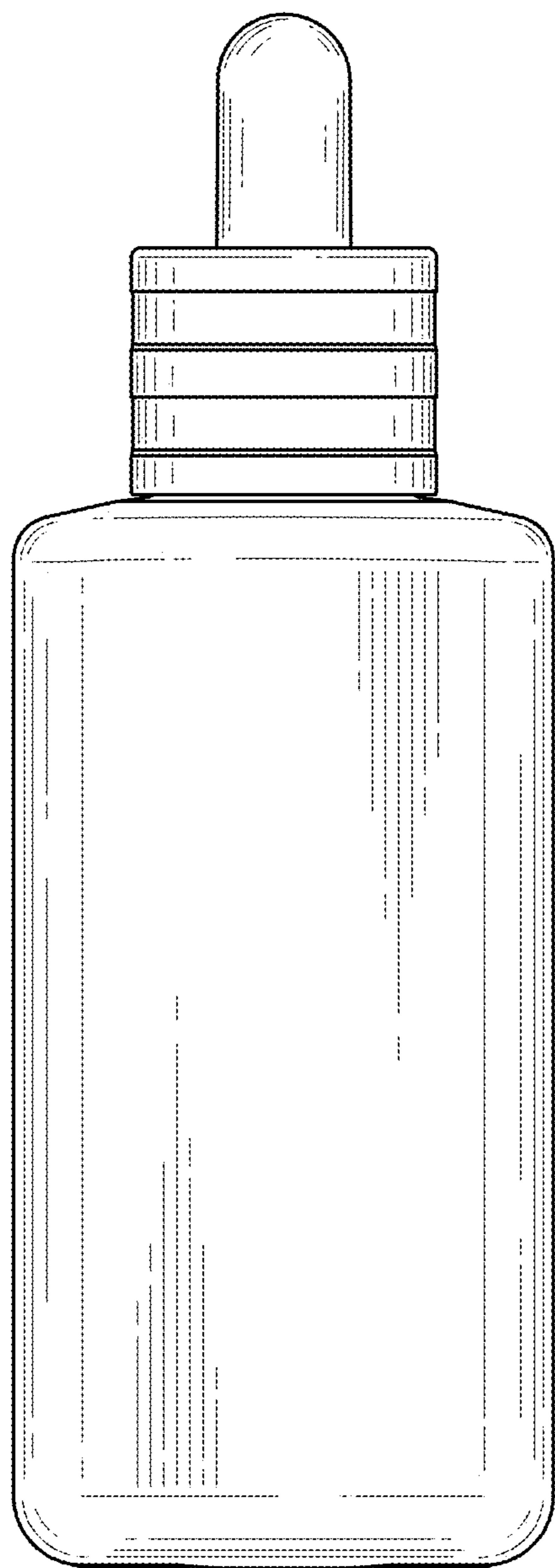


FIG. 3

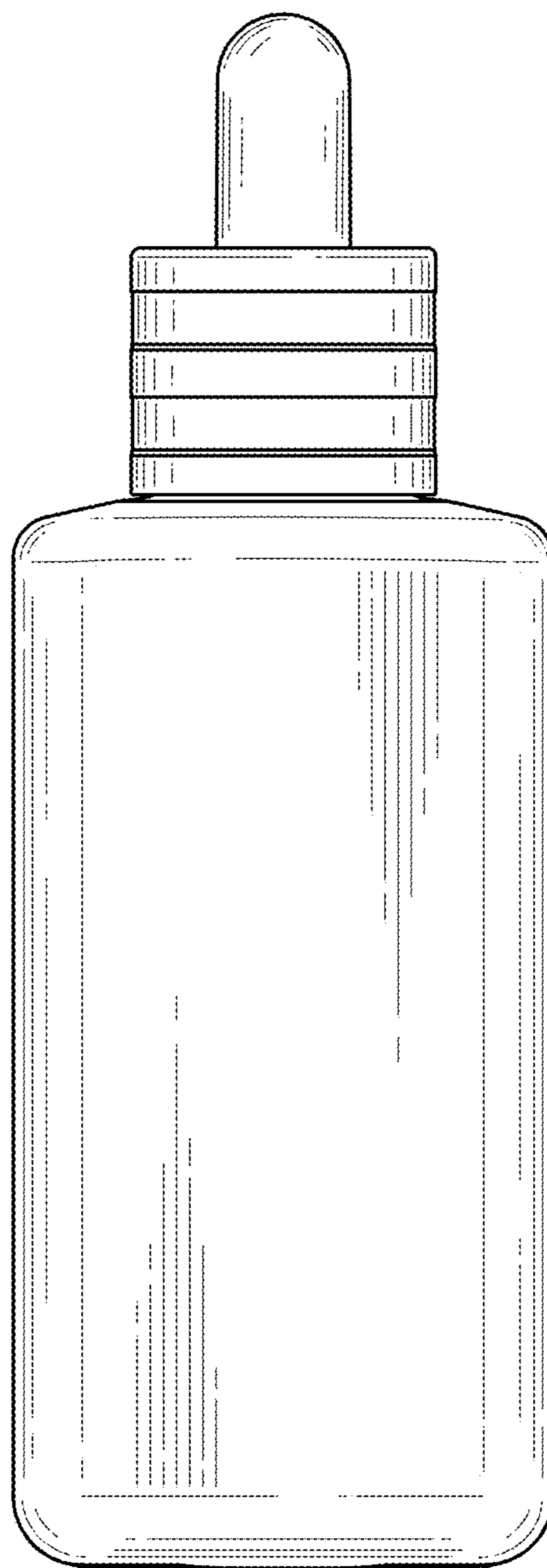


FIG. 4

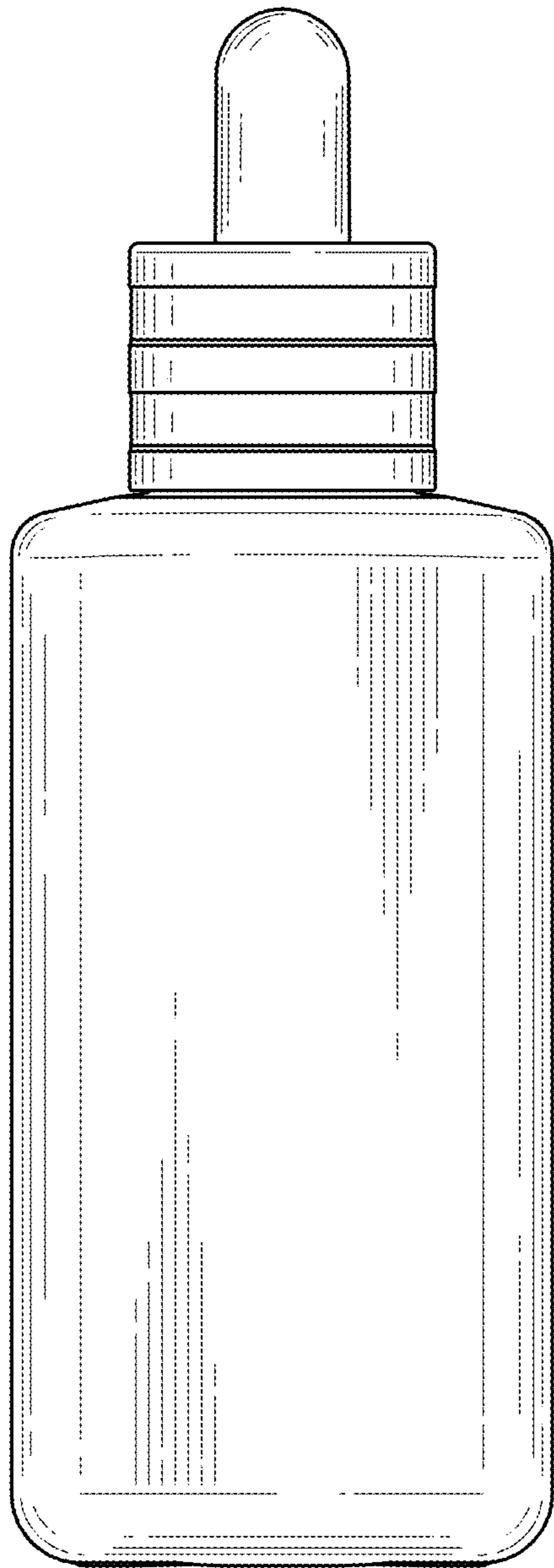


FIG. 5

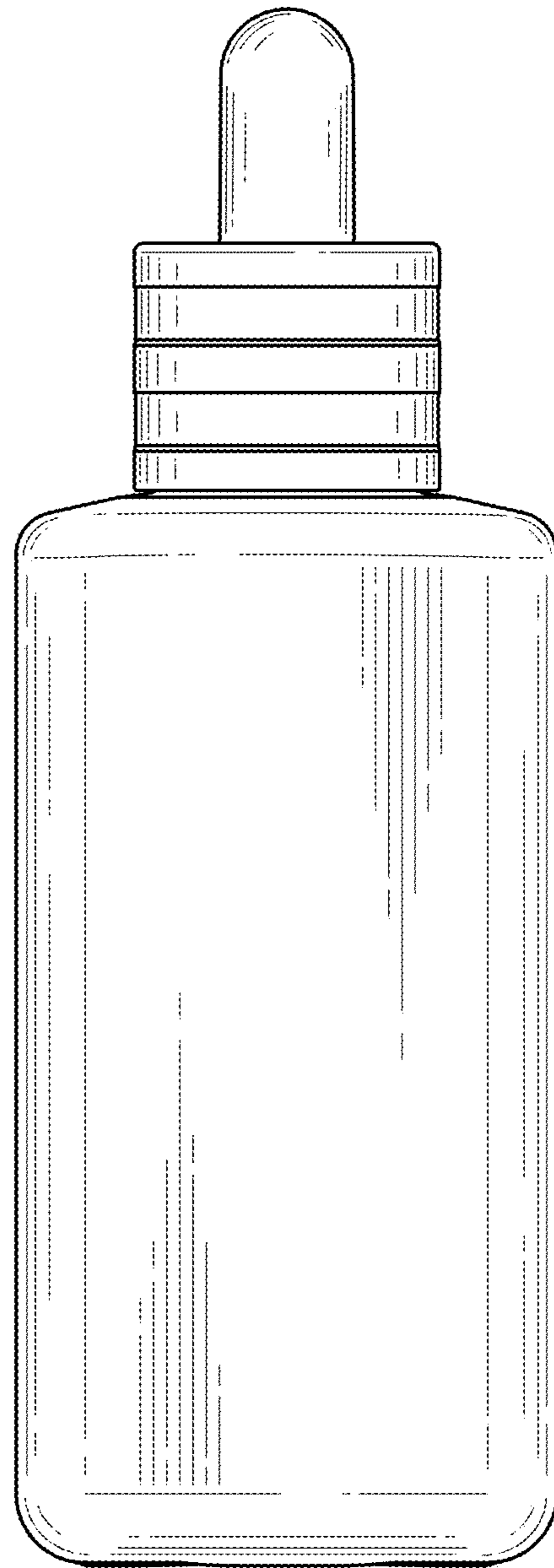


FIG. 6

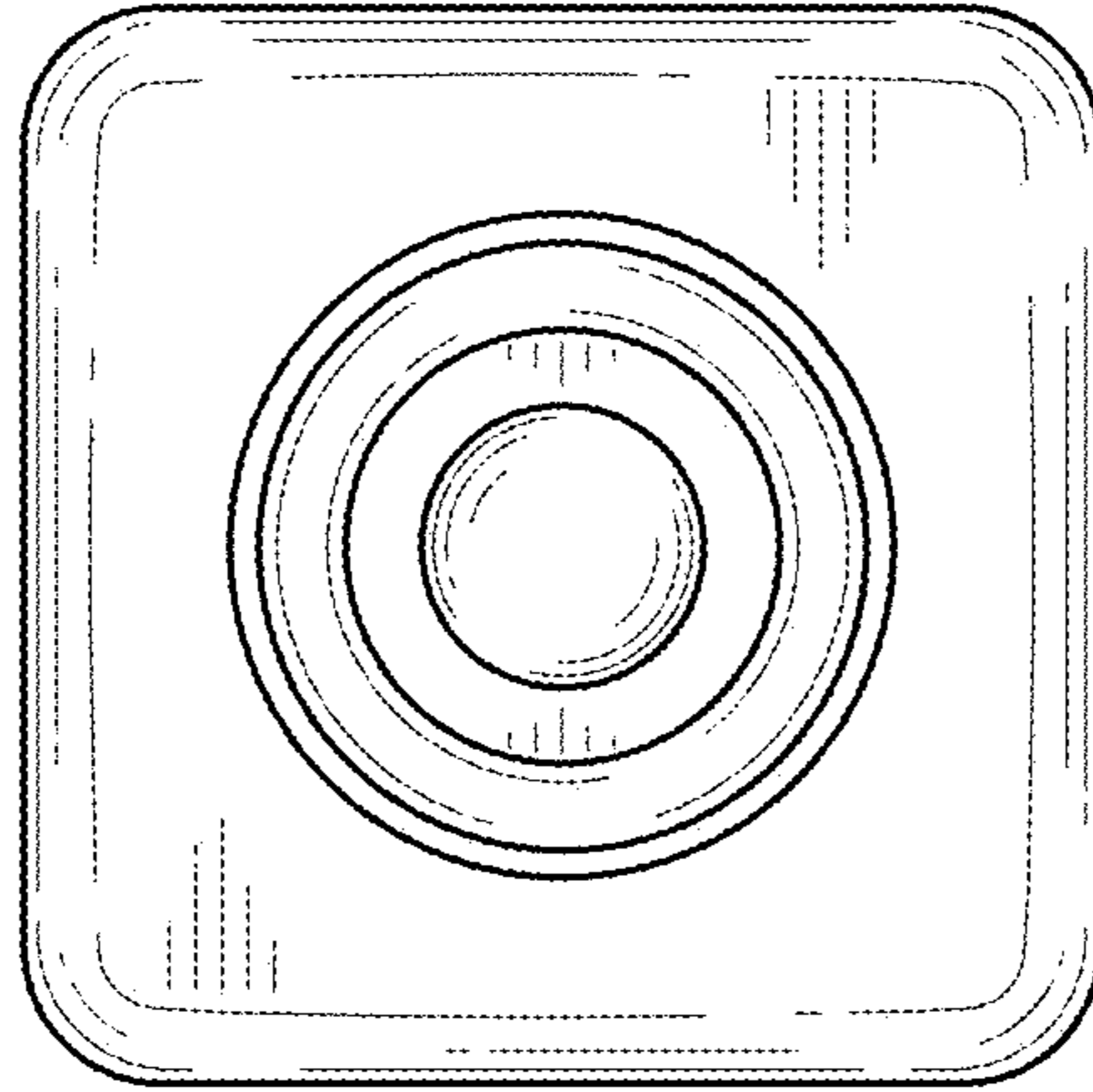


FIG. 7

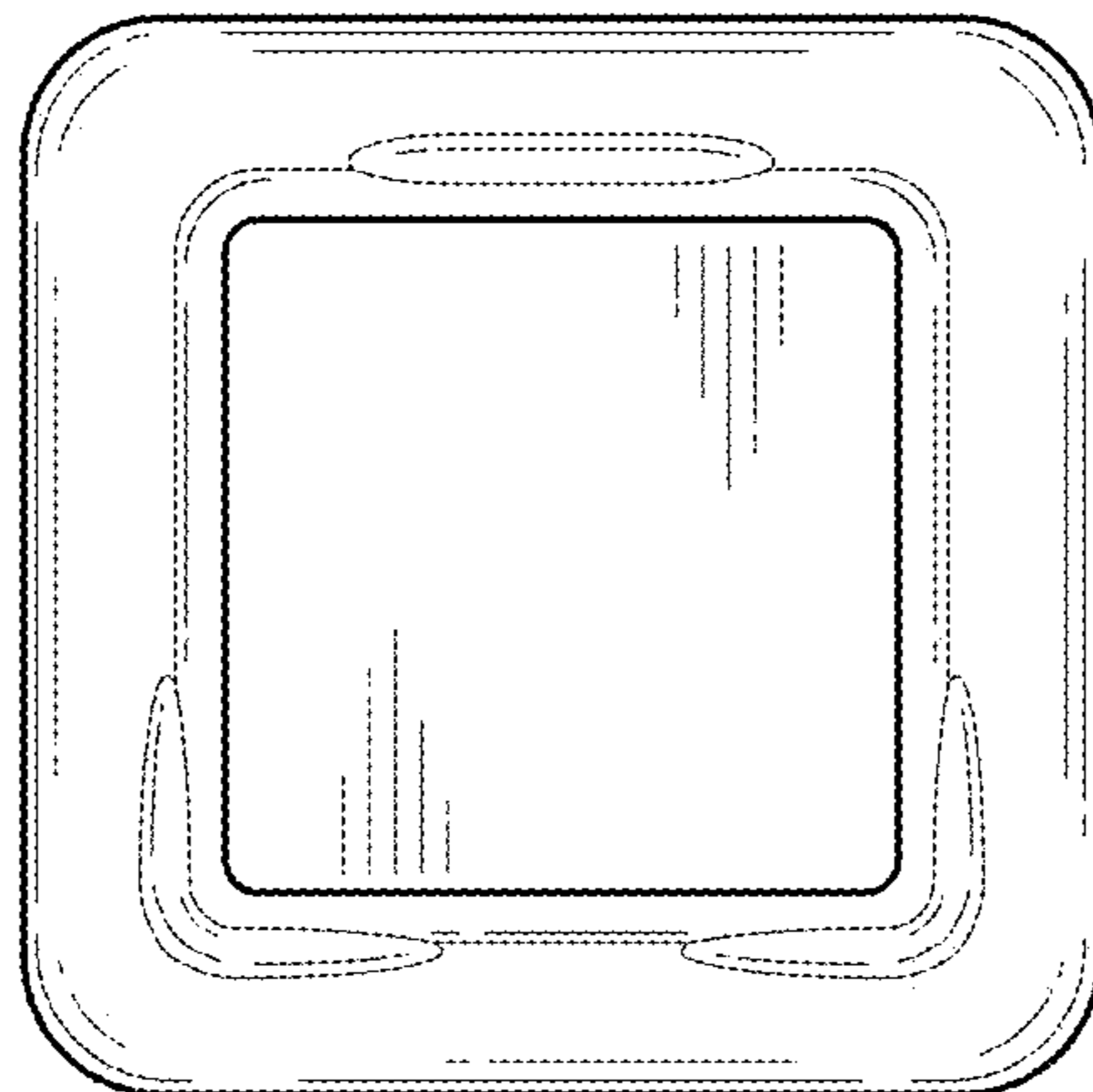


FIG. 8

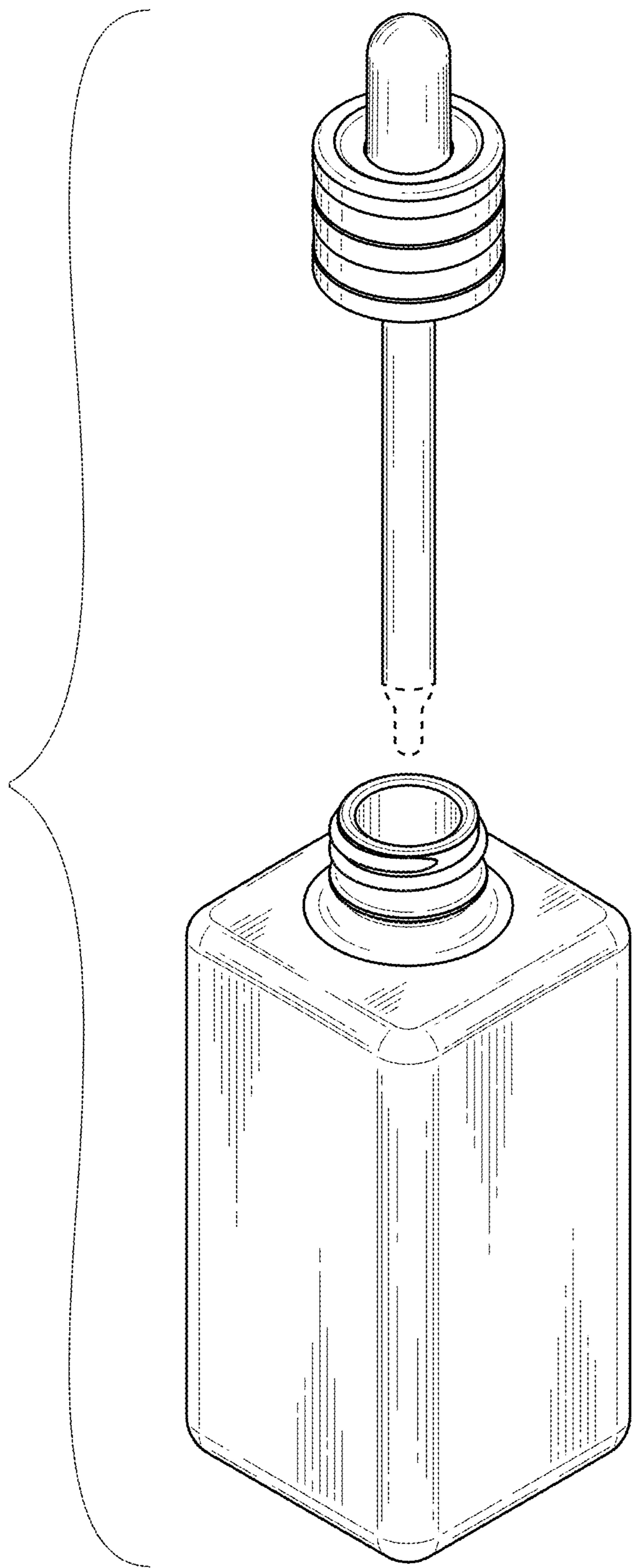


FIG. 9

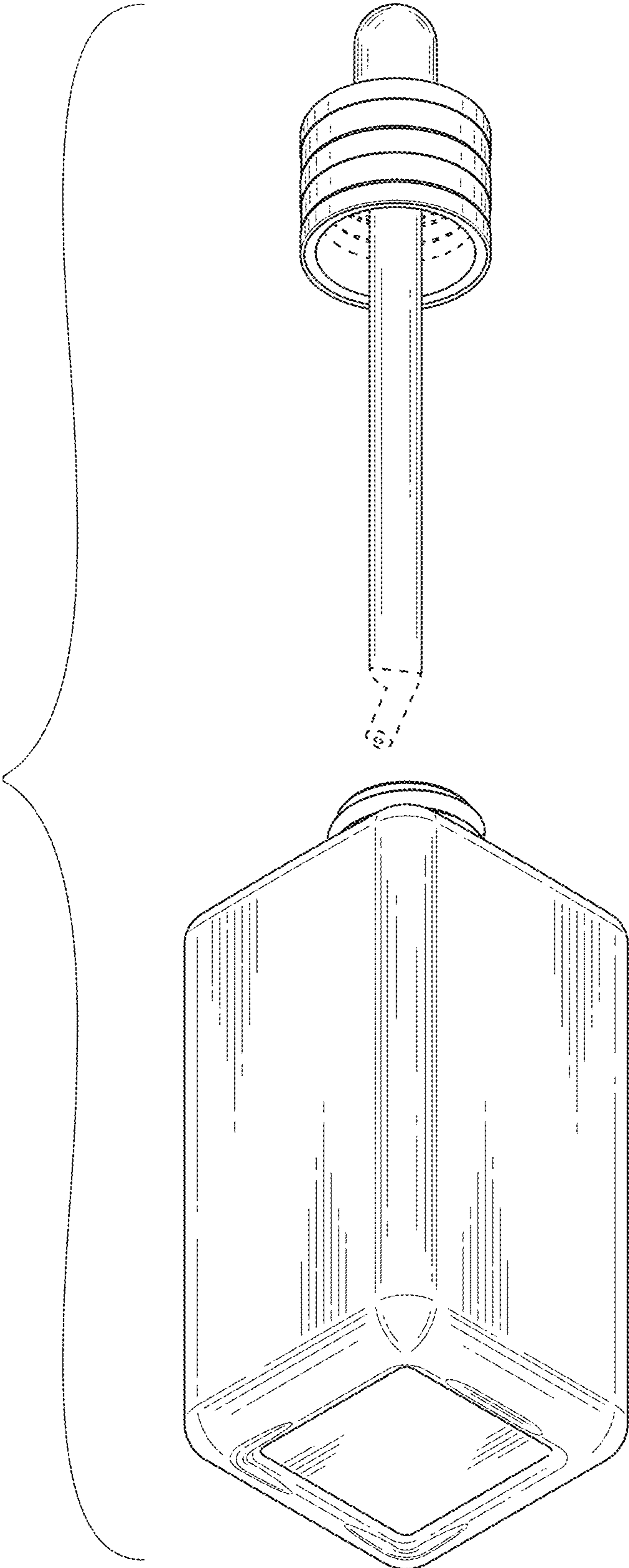


FIG. 10

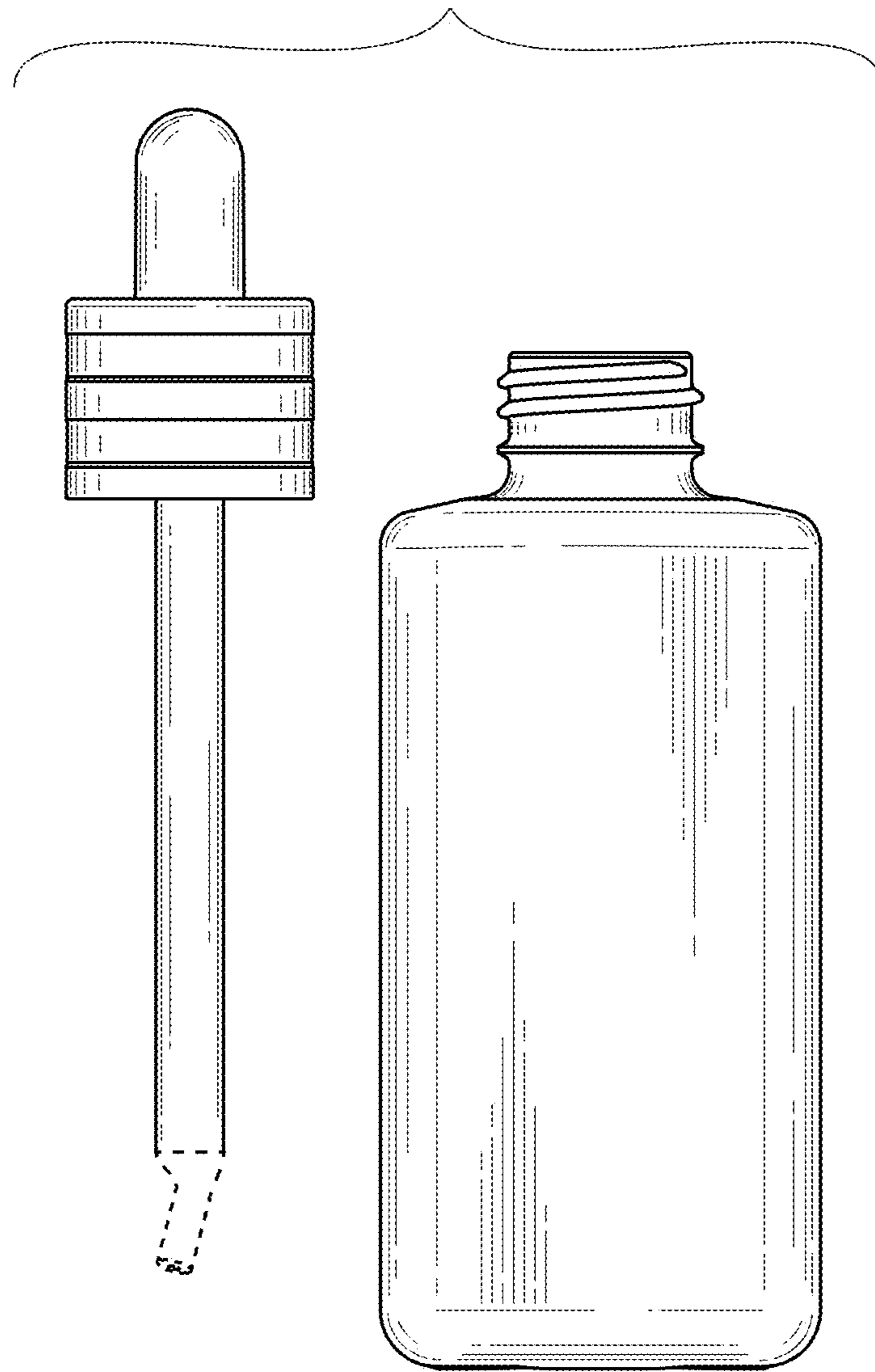


FIG. 11

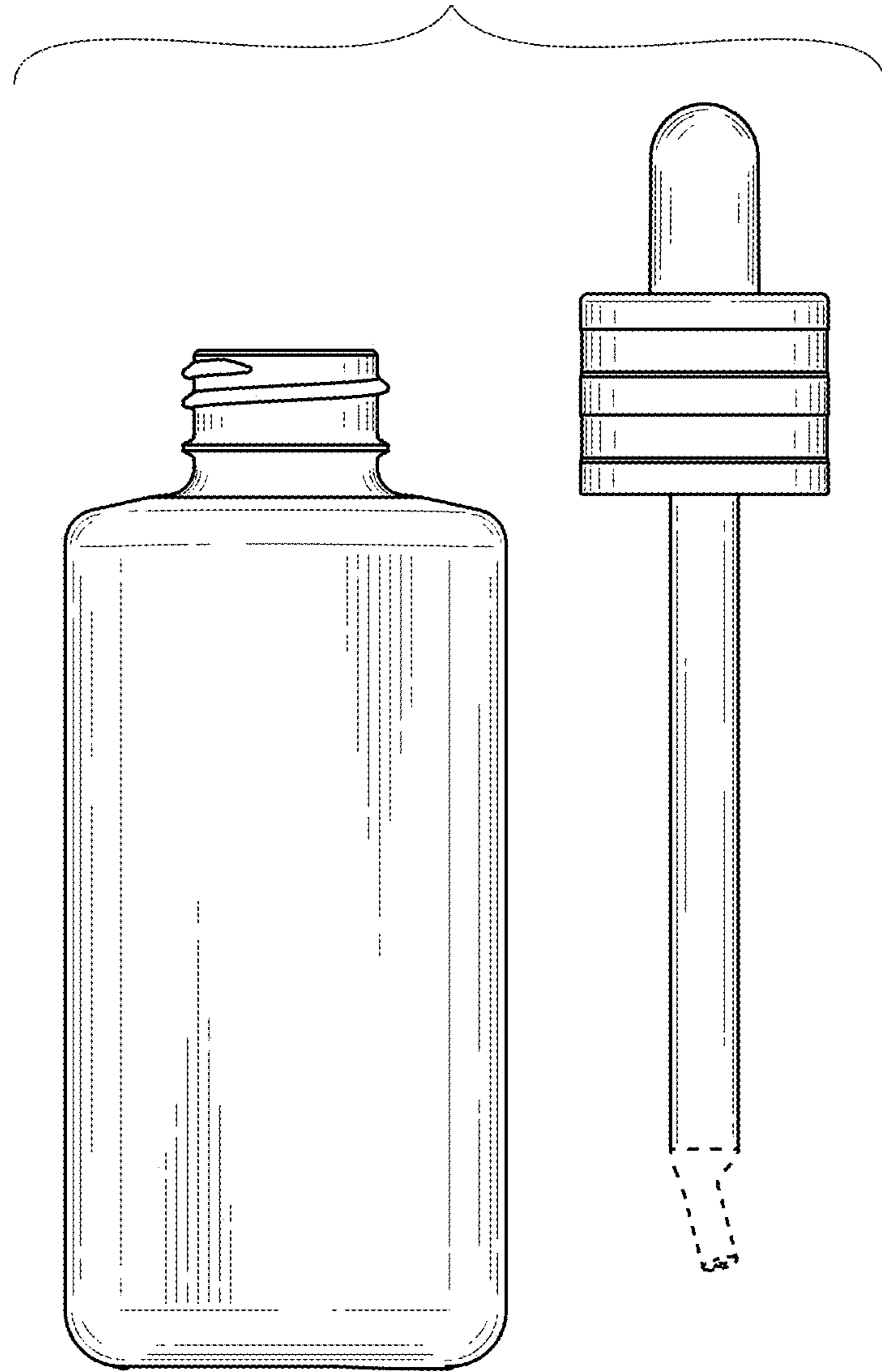


FIG. 12

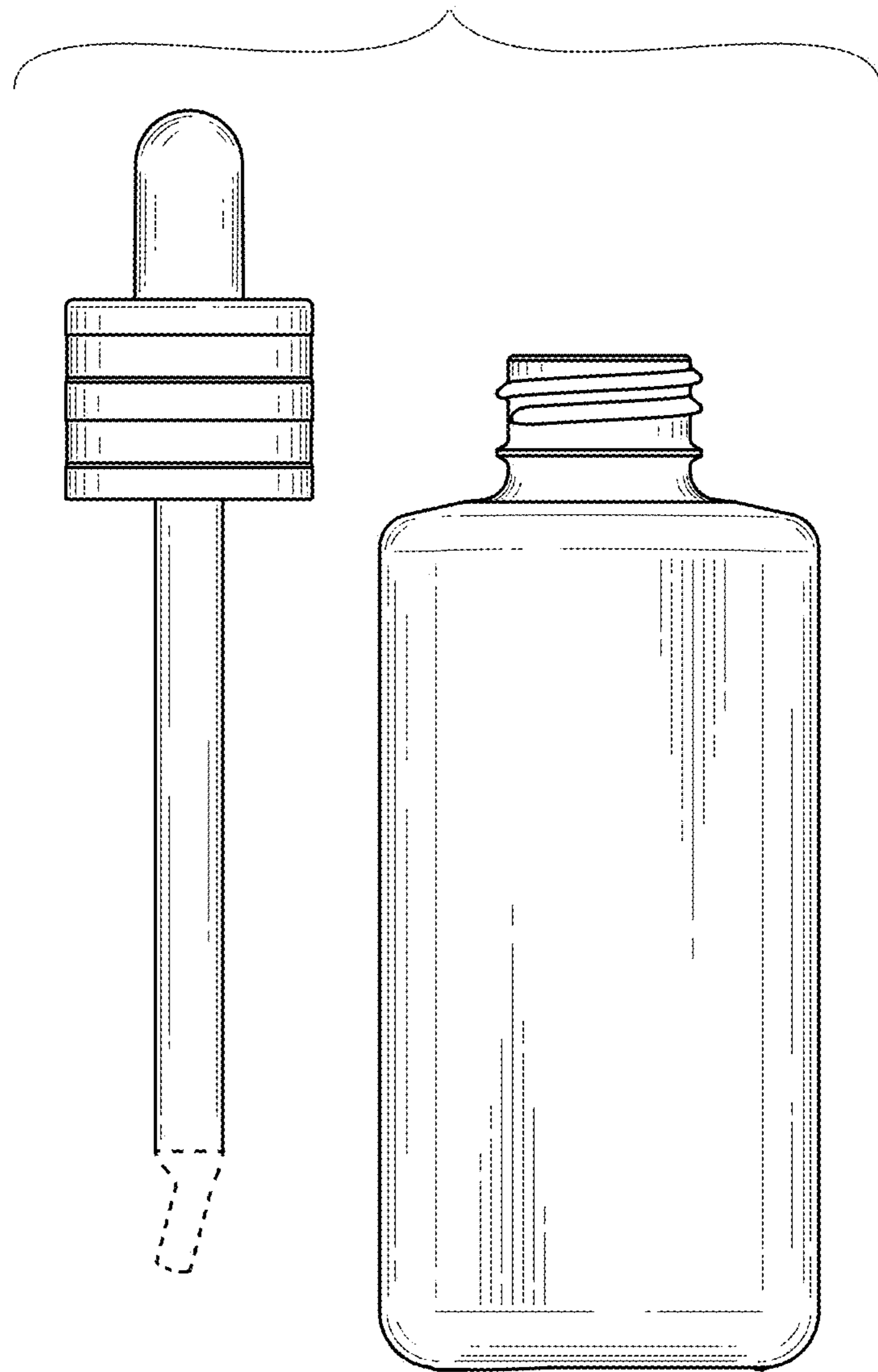


FIG. 13

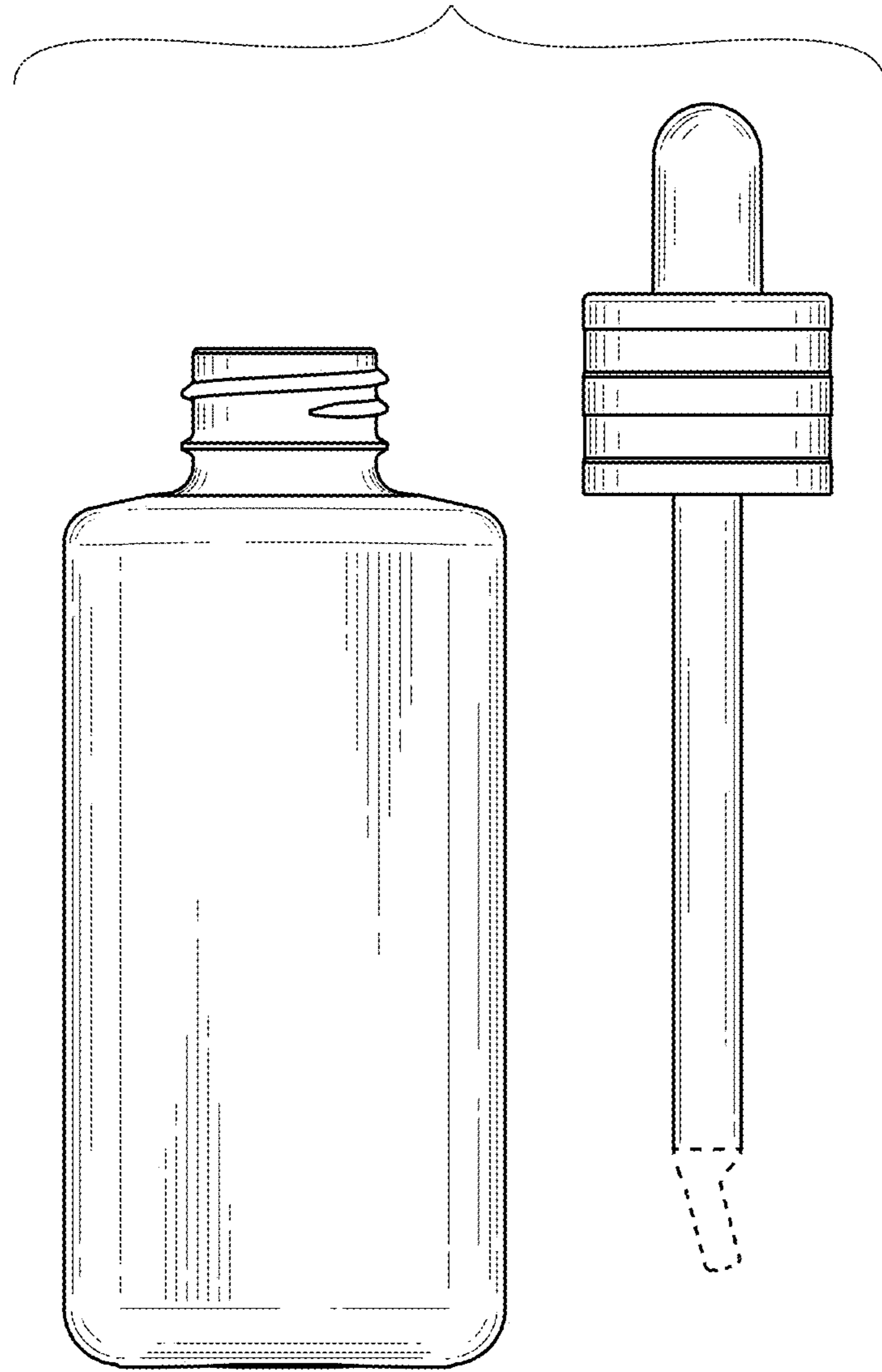


FIG. 14

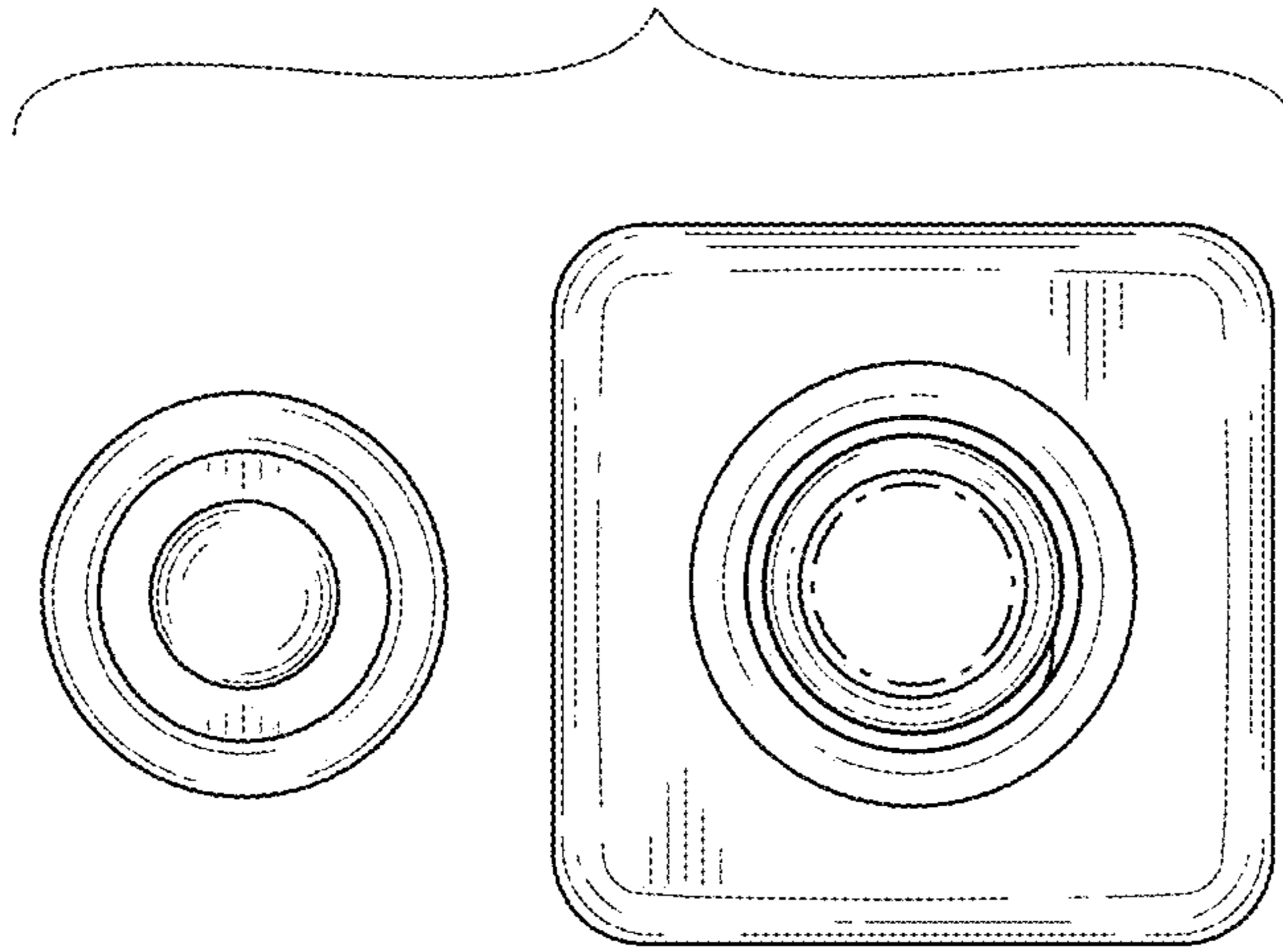


FIG. 15

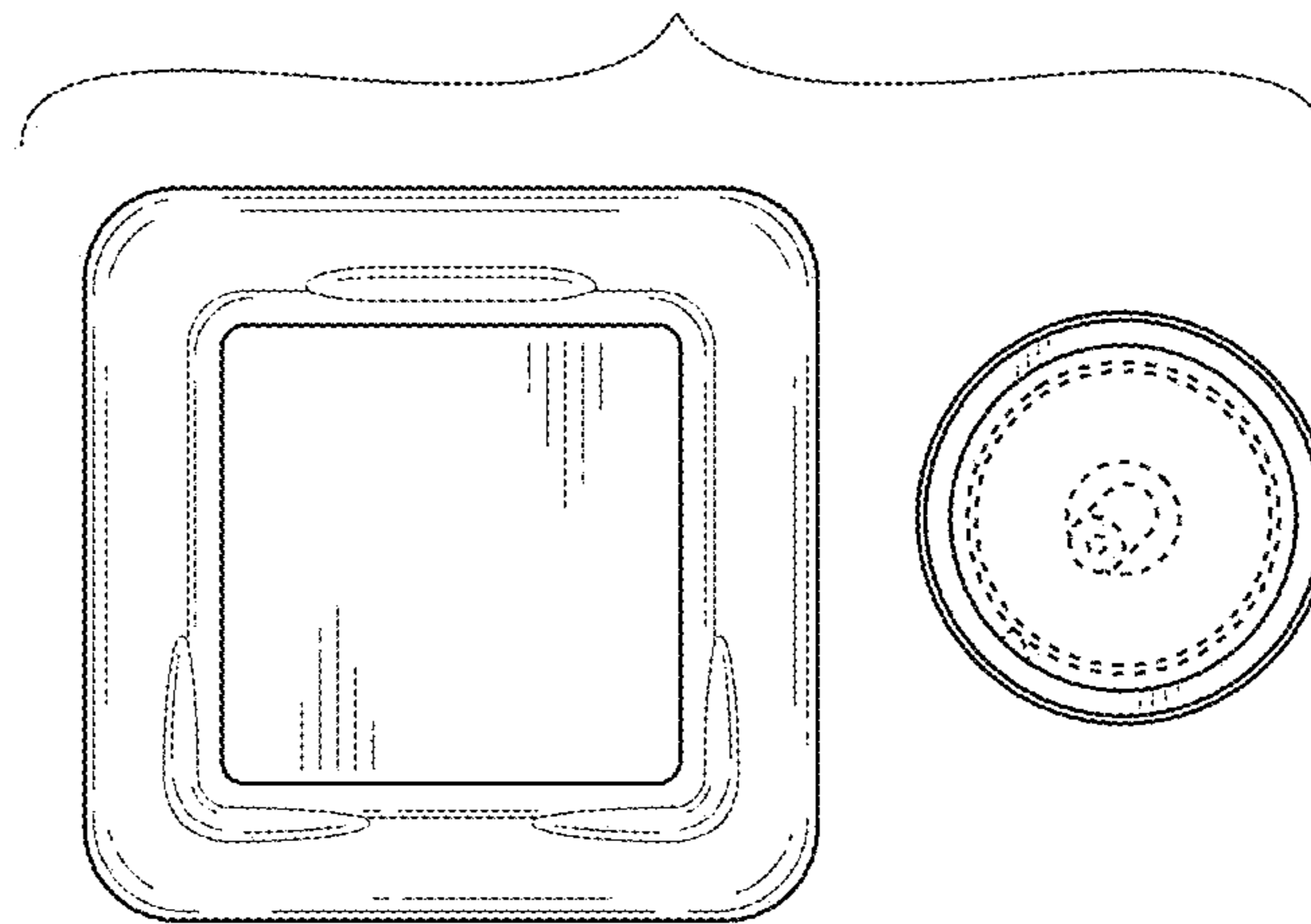


FIG. 16