



US00D924693S

(12) **United States Design Patent** (10) **Patent No.:** **US D924,693 S**
Probst (45) **Date of Patent:** **** Jul. 13, 2021**

(54) **BOTTLE** D554,505 S * 11/2007 Gilbert D9/503
D563,238 S * 3/2008 Nevins D9/684
(71) Applicant: **BIRKENSTOCK SALES GMBH,** D570,690 S * 6/2008 McGuinness D9/504
Vettelschoss (DE) (Continued)

(72) Inventor: **Esther Probst,** Hohenschtaflarn (DE) *Primary Examiner* — Rhea Shields
(73) Assignee: **BIRKENSTOCK SALES GMBH,** & Zissu, PC; Charles T. J. Weigell, Esq.
Vettelschoss (DE)

(**) Term: **15 Years** (57) **CLAIM**

(21) Appl. No.: **29/676,436** The ornamental design for a bottle, as shown and described.

(22) Filed: **Jan. 10, 2019**

Related U.S. Application Data

(63) Continuation of application No. 35/502,807, filed on Feb. 13, 2017 (U.S. filing date under 35 U.S.C. 384), and having an international filing date of Feb. 13, 2017, now Pat. No. Des. 854,939.

(51) **LOC (13) Cl.** **09-01**

(52) **U.S. Cl.**
USPC **D9/688**

(58) **Field of Classification Search**
USPC D9/688, 691, 500, 504, 443, 503, 643,
D9/558, 572, 449, 529, 684; D7/510,
D7/316, 317
CPC ... A61K 8/19; B65D 47/0804; B05B 11/0029
See application file for complete search history.

(56) **References Cited**

U.S. PATENT DOCUMENTS

D78,465 S * 5/1929 Groniger D9/500
D180,820 S * 8/1957 Du Pree D7/317
D284,451 S * 7/1986 Fortuna D9/443
5,252,312 A * 10/1993 Gentile A61K 8/19
206/216
D459,211 S * 6/2002 McGuinness D9/549
D499,338 S * 12/2004 Mulder D9/500

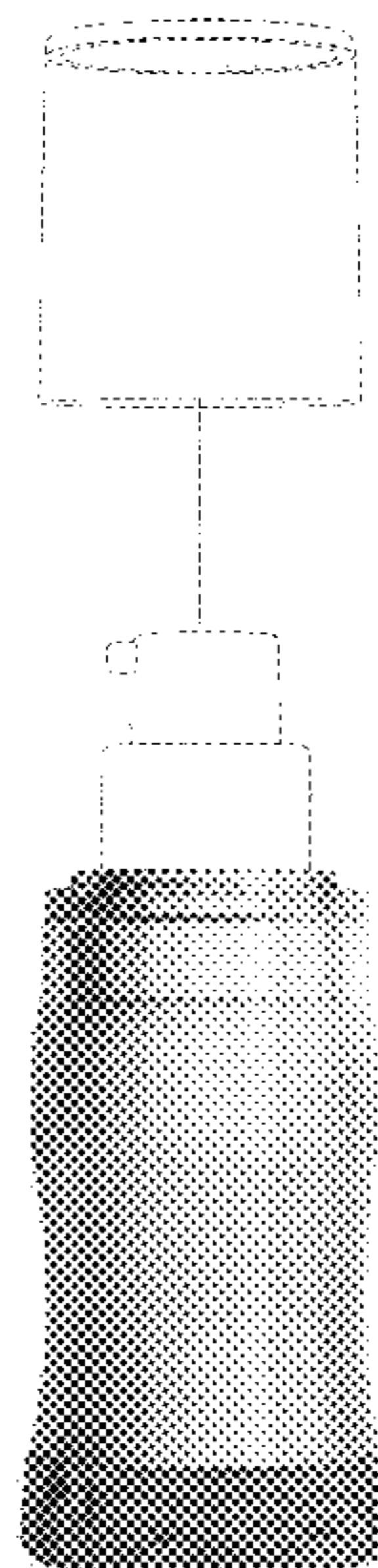
DESCRIPTION

The patent or application file contains at least one drawing executed in color. Copies of this patent or patent application publication with color drawing(s) will be provided by the Office upon request and payment of the necessary fee.

FIG. 1 is a front view showing my design;
FIG. 2 is a top view thereof;
FIG. 3 is a front view of another embodiment of my design;
FIG. 4 is a top thereof;
FIG. 5 is a front view of a further embodiment of my design;
FIG. 6 is a top view thereof;
FIG. 7 is a front view of a further embodiment of my design;
FIG. 8 is a top view thereof;
FIG. 9 is a front view of yet another embodiment of my design;
FIG. 10 is a top view thereof;
FIG. 11 is a front view of yet a further embodiment of my design; and,
FIG. 12 is a top view thereof.

In the drawings, the broken lines are for the purpose of illustrating portions of the bottle that forms no part of the claimed design.

1 Claim, 12 Drawing Sheets
(12 of 12 Drawing Sheet(s) Filed in Color)



(56)

References Cited

U.S. PATENT DOCUMENTS

D582,278	S	*	12/2008	Bourne	D9/504
D592,524	S	*	5/2009	Padain	D9/691
D610,910	S	*	3/2010	Simmons	D9/529
D619,460	S	*	7/2010	Beckerman	D9/500
D620,742	S	*	8/2010	Lion	D7/316
D628,885	S	*	12/2010	Hale	D9/449
8,690,022	B2	*	4/2014	Lee	B05B 11/0029 222/321.6
D708,956	S	*	7/2014	McKay	D9/529
D719,448	S	*	12/2014	Pires	D9/504
D720,993	S	*	1/2015	Marotti	D9/572
D757,551	S	*	5/2016	Pires	D9/503
D758,865	S	*	6/2016	Pires	D9/503
D782,912	S	*	4/2017	Jeong	D9/558
D798,728	S	*	10/2017	Kwon	D9/643
D809,399	S	*	2/2018	Kwon	D9/643
D829,054	S	*	9/2018	Breit	D7/510
D854,939	S	*	7/2019	Probst	D9/688
D856,805	S	*	8/2019	Moretti	D9/500
D859,156	S	*	9/2019	Handley	D9/500
D881,013	S	*	4/2020	Luu	D9/500
D903,496	S	*	12/2020	Burrowes	D9/504
2008/0296247	A1	*	12/2008	Ribadeneira Mejia	B65D 47/0804 215/235

* cited by examiner

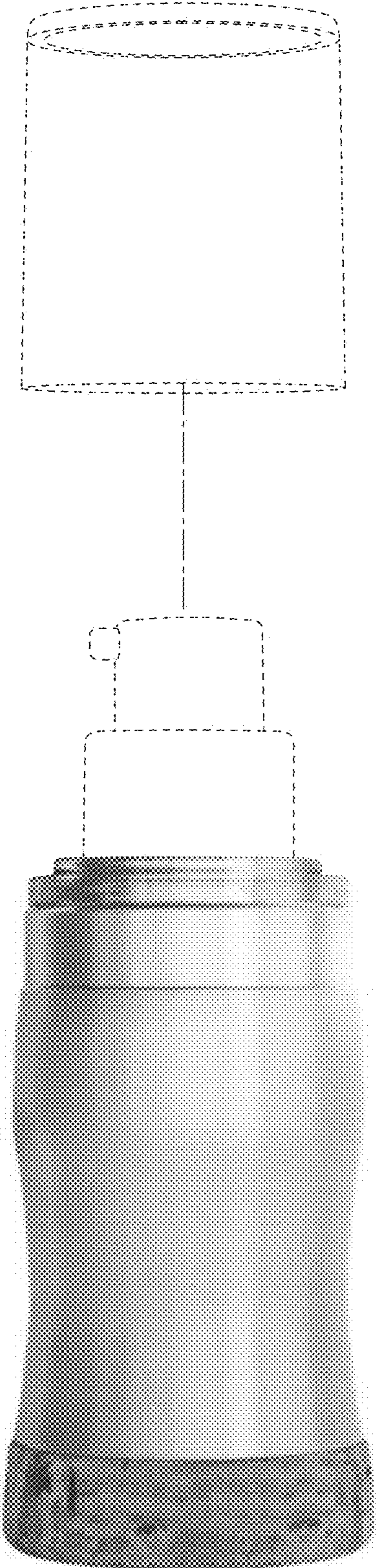


FIG. 1

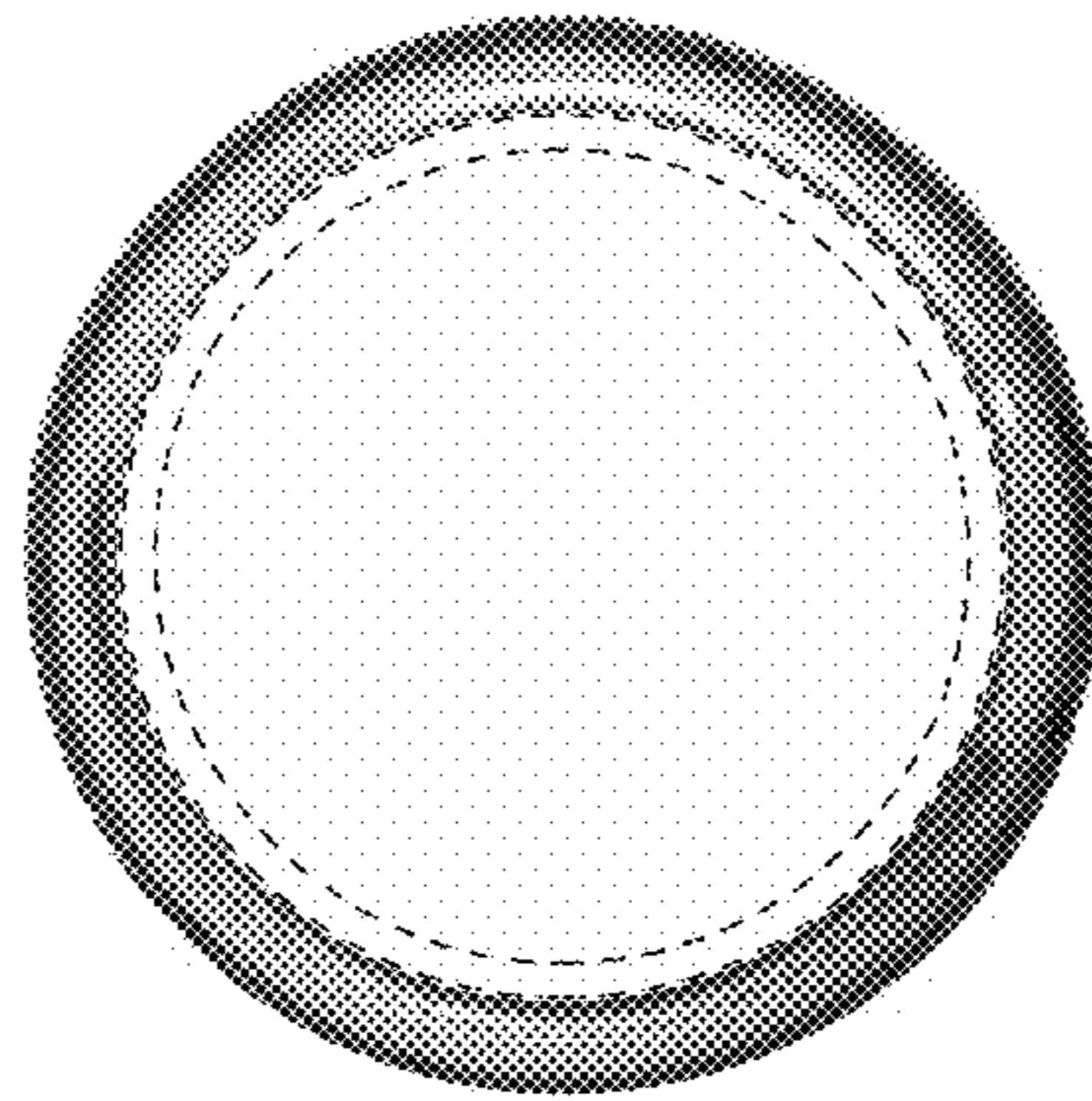


FIG. 2

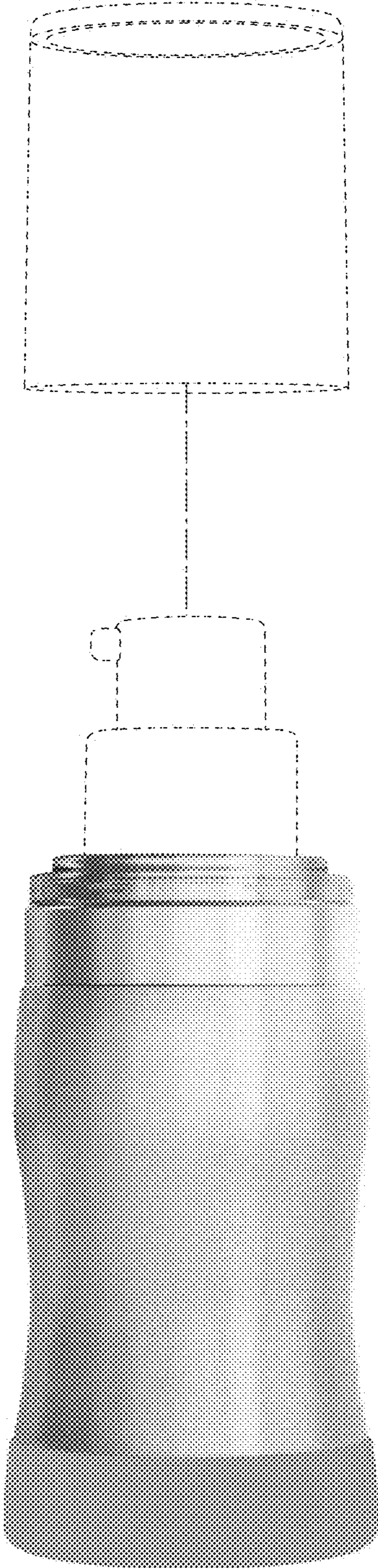


FIG. 3

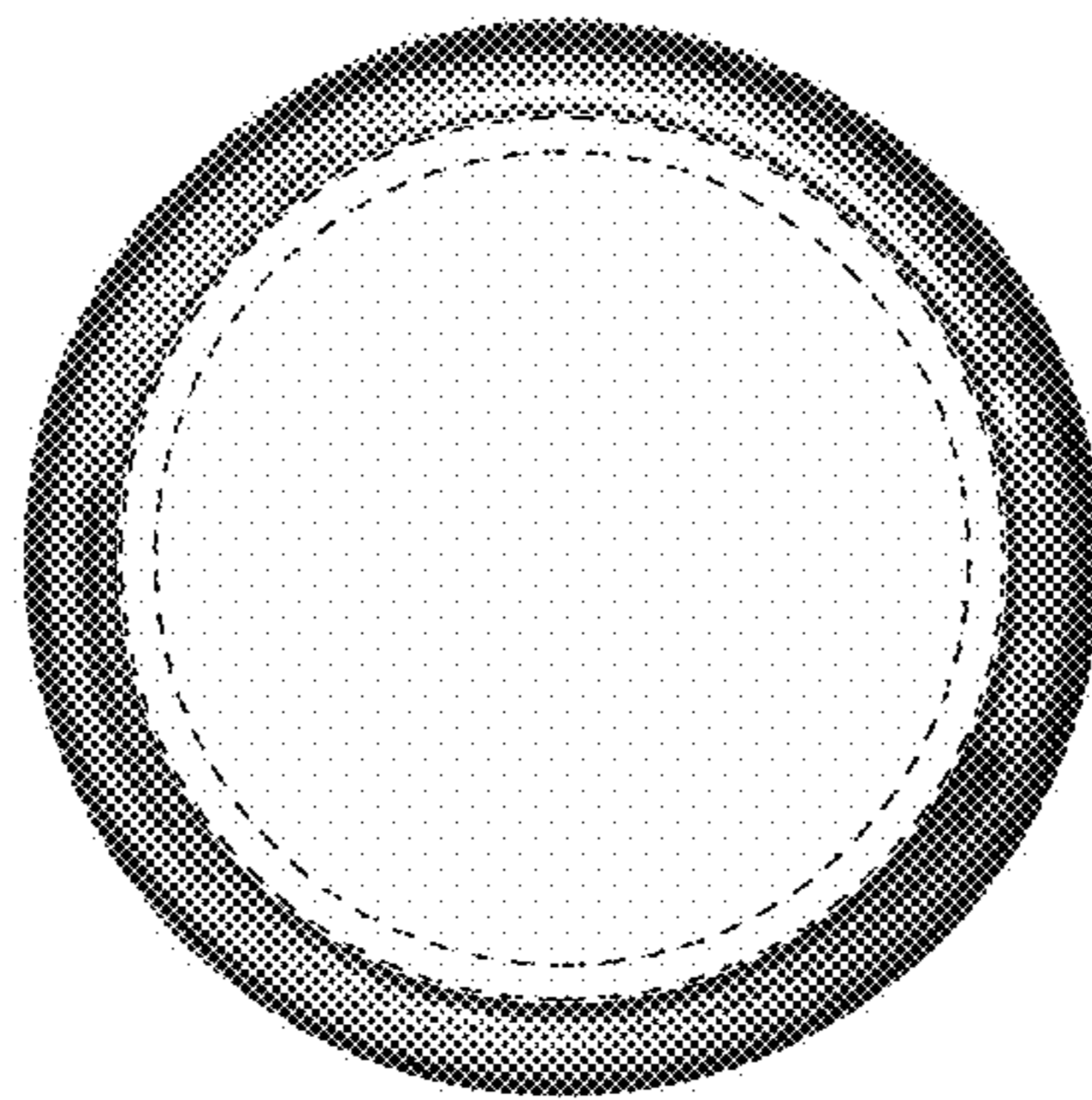


FIG. 4

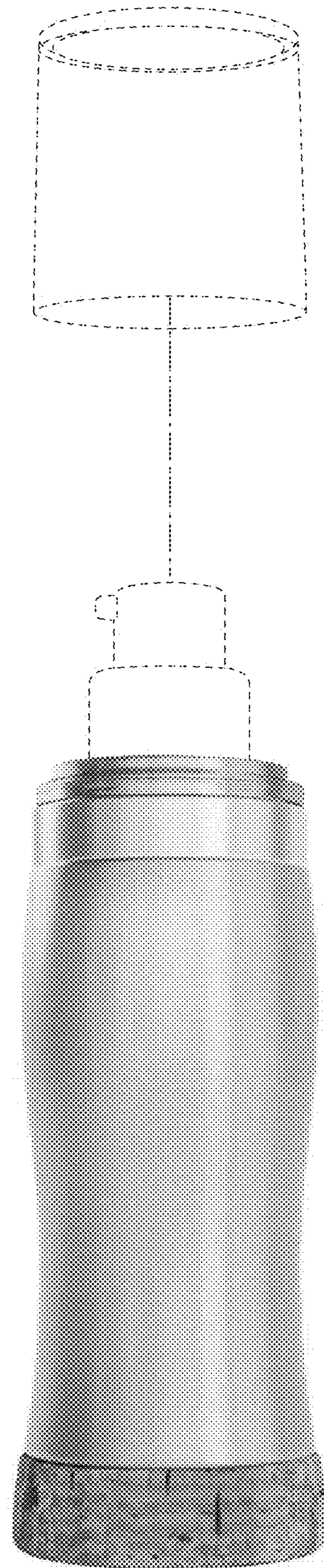


FIG. 5

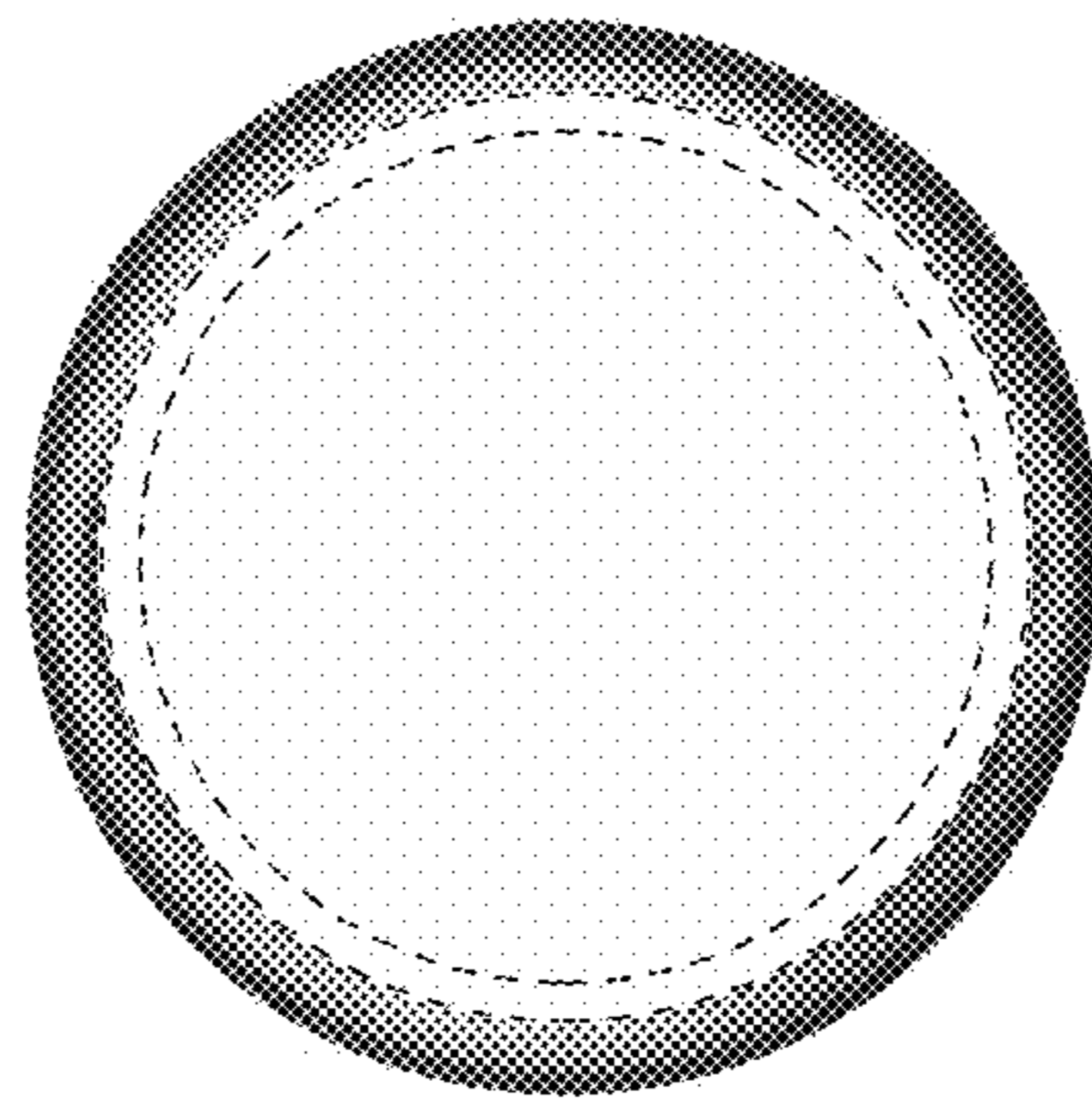


FIG. 6

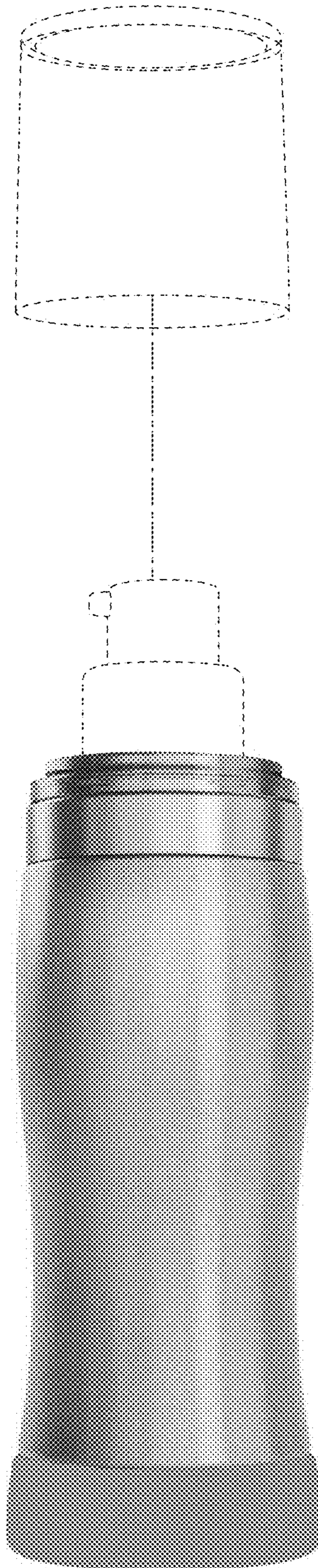


FIG. 7

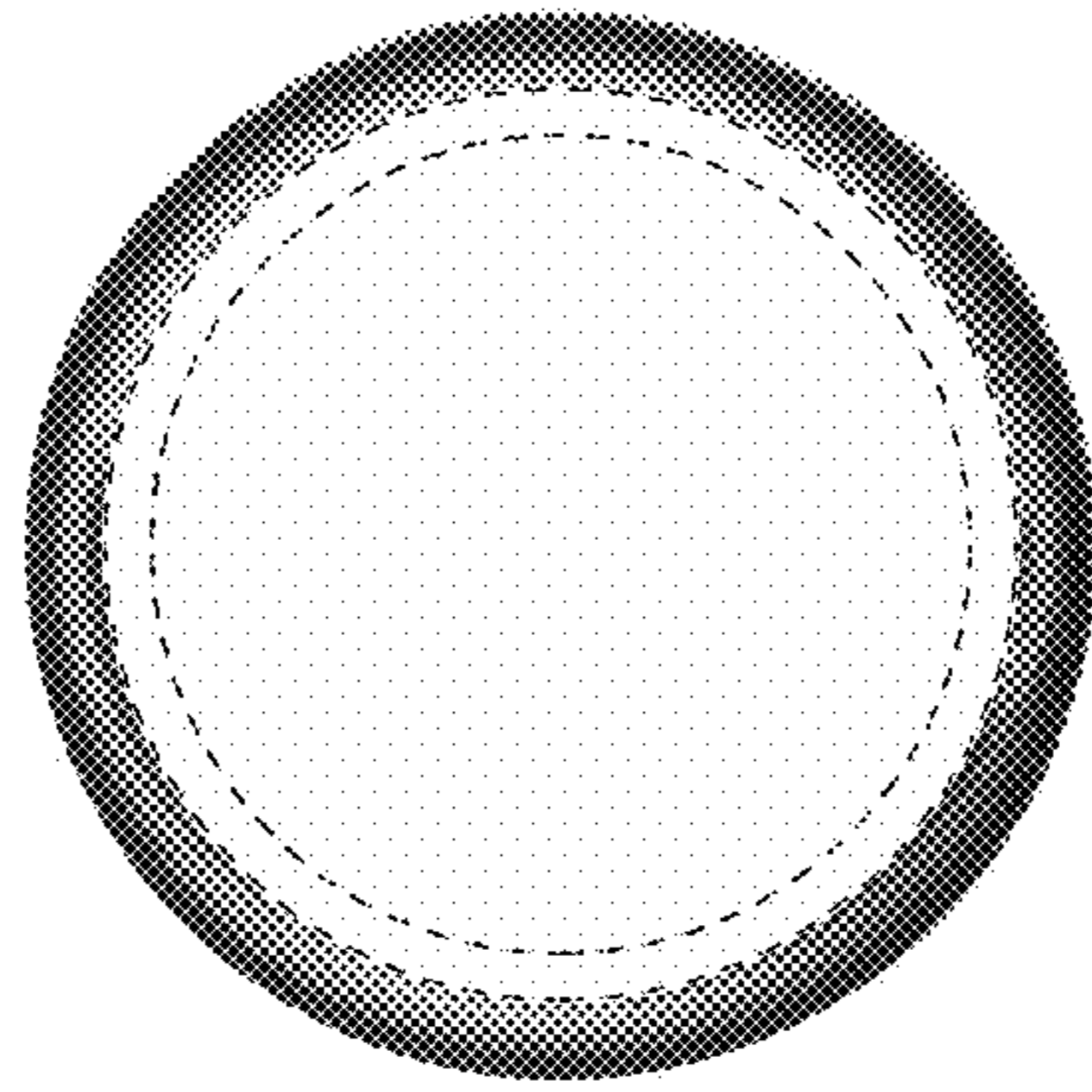


FIG. 8

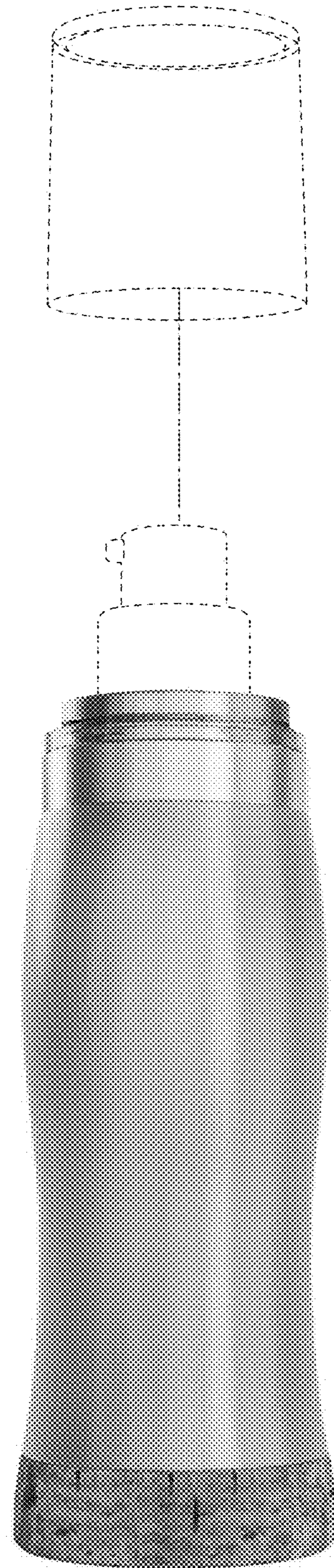


FIG. 9

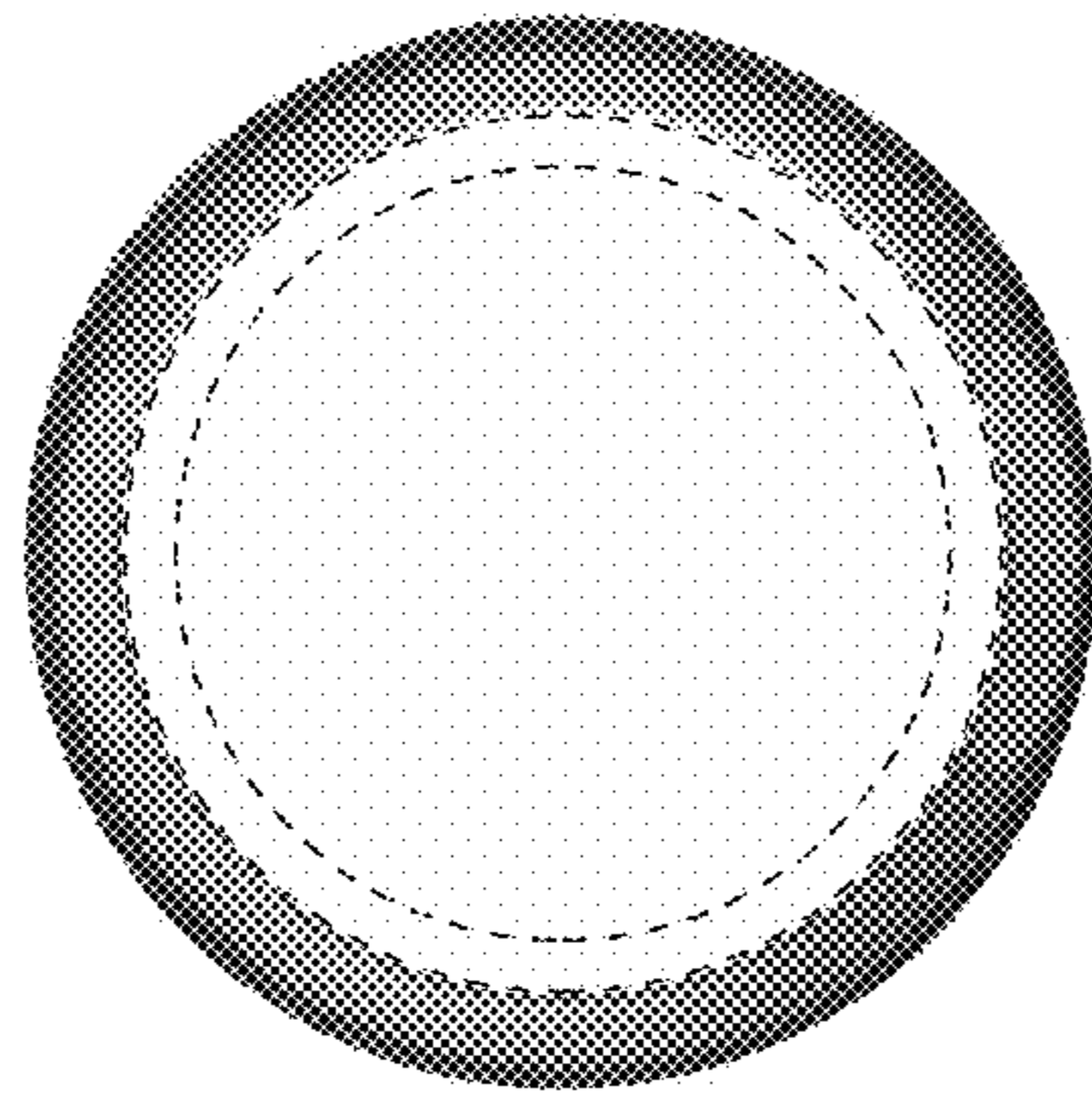


FIG. 10

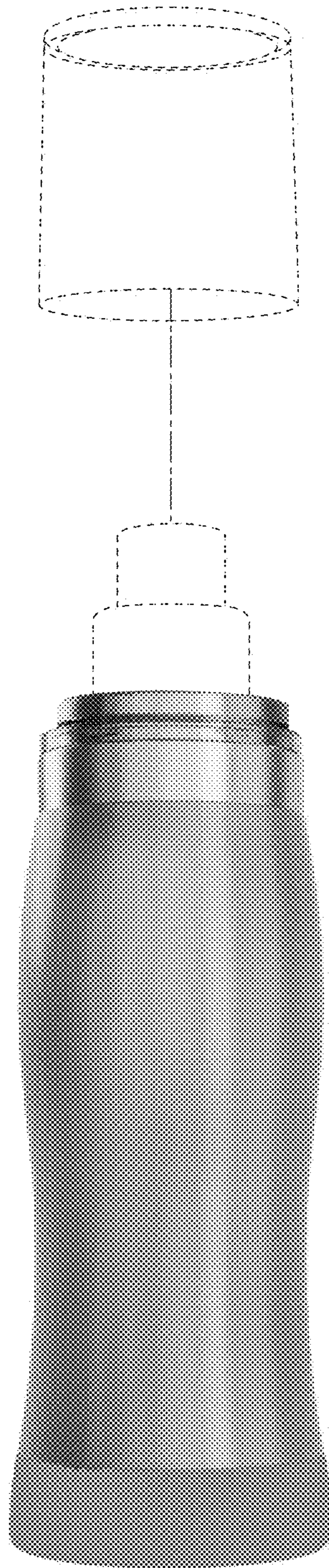


FIG. 11

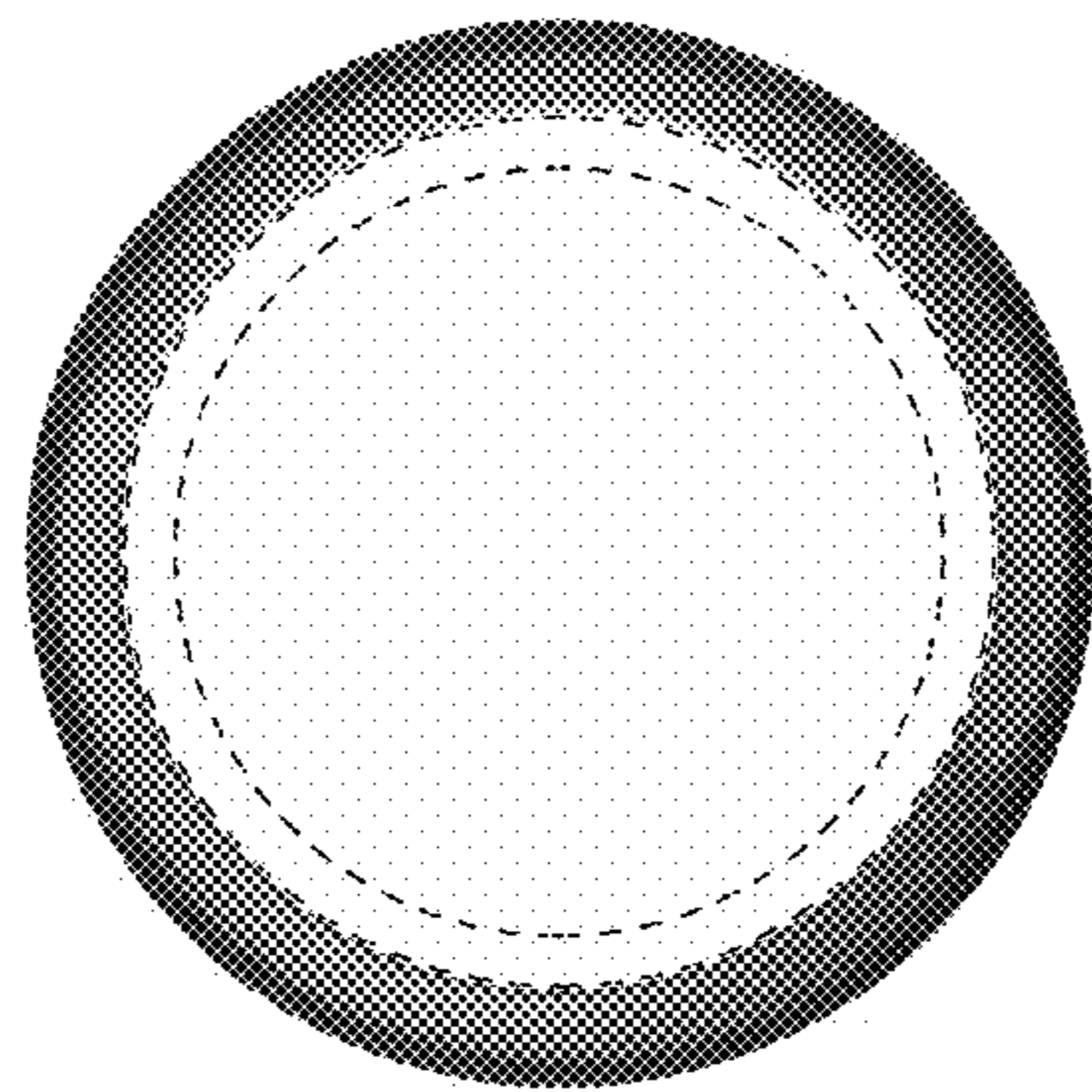


FIG. 12