



US00D924691S

(12) **United States Design Patent**
Dalton

(10) **Patent No.:** **US D924,691 S**

(45) **Date of Patent:** **** Jul. 13, 2021**

(54) **PERFUME BOTTLE**

(71) Applicant: **LVMH FRAGRANCE BRANDS,**
Levallois Perret (FR)

(72) Inventor: **Suzanne Dalton,** Paris (FR)

(73) Assignee: **LVMH FRAGRANCE BRANDS,**
Levallois Perret (FR)

(**) Term: **15 Years**

(21) Appl. No.: **29/708,606**

(22) Filed: **Oct. 8, 2019**

(30) **Foreign Application Priority Data**

Apr. 12, 2019 (EM) 006376372-0001

(51) **LOC (13) Cl.** **09-01**

(52) **U.S. Cl.**
USPC **D9/563; D9/560**

(58) **Field of Classification Search**
USPC D9/432, 529, 560, 563, 566, 567,
D9/573-575, 694, 692, 503, 504, 558,
D9/572

CPC B65D 21/0231; B65D 2501/0081; A45D
34/00

See application file for complete search history.

(56) **References Cited**

U.S. PATENT DOCUMENTS

D104,649 S *	5/1937	Black	D9/573
D270,040 S *	8/1983	Perez Casasa y Perez de		
		Guzman	D9/573
D519,844 S *	5/2006	Mansau	D9/573
D536,259 S *	2/2007	Herrmann	D9/573
D542,144 S *	5/2007	Herrmann	D9/560
D542,670 S *	5/2007	Herrmann	D9/560
D549,589 S *	8/2007	Lavigne	D9/573
D586,227 S *	2/2009	Caten	D9/572
D587,596 S *	3/2009	Lloyd	D9/572

D589,814 S *	4/2009	Holzner	D9/560
D680,877 S *	4/2013	Ghandour	D9/572
D691,890 S *	10/2013	Ford	D9/574
D705,074 S *	5/2014	Della Valle	D9/560
D717,176 S *	11/2014	Gomez	D9/560
D739,763 S *	9/2015	Venturini Fendi	D9/573
D757,560 S *	5/2016	Venturini Fendi	D9/573
D777,038 S *	1/2017	Fujimoto	D9/563
D788,593 S *	6/2017	Dalton	D9/560
D799,754 S *	10/2017	Chertoff	D9/560
D808,280 S *	1/2018	Nagata	D9/560
D830,189 S *	10/2018	Fujimoto	D9/563

(Continued)

FOREIGN PATENT DOCUMENTS

CN	304040369	*	2/2017
CN	304273793	*	9/2017

(Continued)

Primary Examiner — Brett Miller

Assistant Examiner — Rani J Abdallah

(74) *Attorney, Agent, or Firm* — McNeese Wallace &
Nurick LLC

(57) **CLAIM**

The ornamental design for a perfume bottle, as shown and described.

DESCRIPTION

FIG. 1 is a top-front-left perspective view of a perfume bottle, showing the design;

FIG. 2 is a front view of the perfume bottle of FIG. 1;

FIG. 3 is a rear view of the perfume bottle of FIG. 1;

FIG. 4 is a right view of the perfume bottle of FIG. 1;

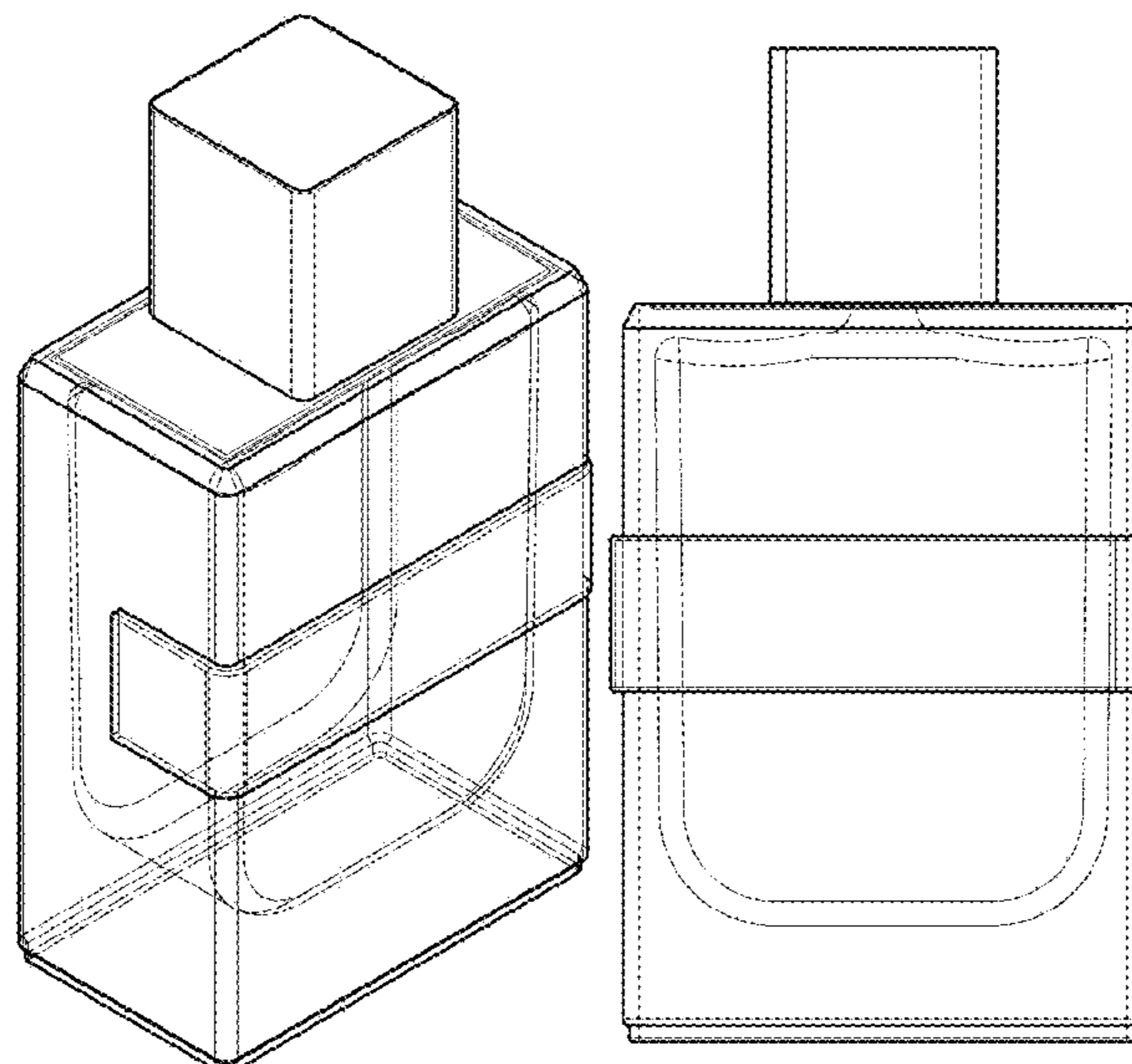
FIG. 5 is a left view of the perfume bottle of FIG. 1;

FIG. 6 is a top view of the perfume bottle of FIG. 1; and,

FIG. 7 is a bottom view of the perfume bottle of FIG. 1.

The broken lines in the drawings showing the perfume bottle illustrate the portions of the perfume bottle that form no part of the claimed design.

1 Claim, 7 Drawing Sheets



(56)

References Cited

U.S. PATENT DOCUMENTS

D830,831 S * 10/2018 Fujimoto D9/563
D833,291 S * 11/2018 Staab D9/560
D852,050 S * 6/2019 Martone D9/560
D852,052 S * 6/2019 Dalton D9/566
D870,560 S * 12/2019 Yoshioka D9/560
D876,238 S * 2/2020 Dolce D9/560
D881,708 S * 4/2020 Accurso D9/560
D881,709 S * 4/2020 Accurso D9/560
D904,892 S * 12/2020 Le Henry D9/560

FOREIGN PATENT DOCUMENTS

CN 304481102 * 1/2018
RU 00088922 * 6/2014

* cited by examiner

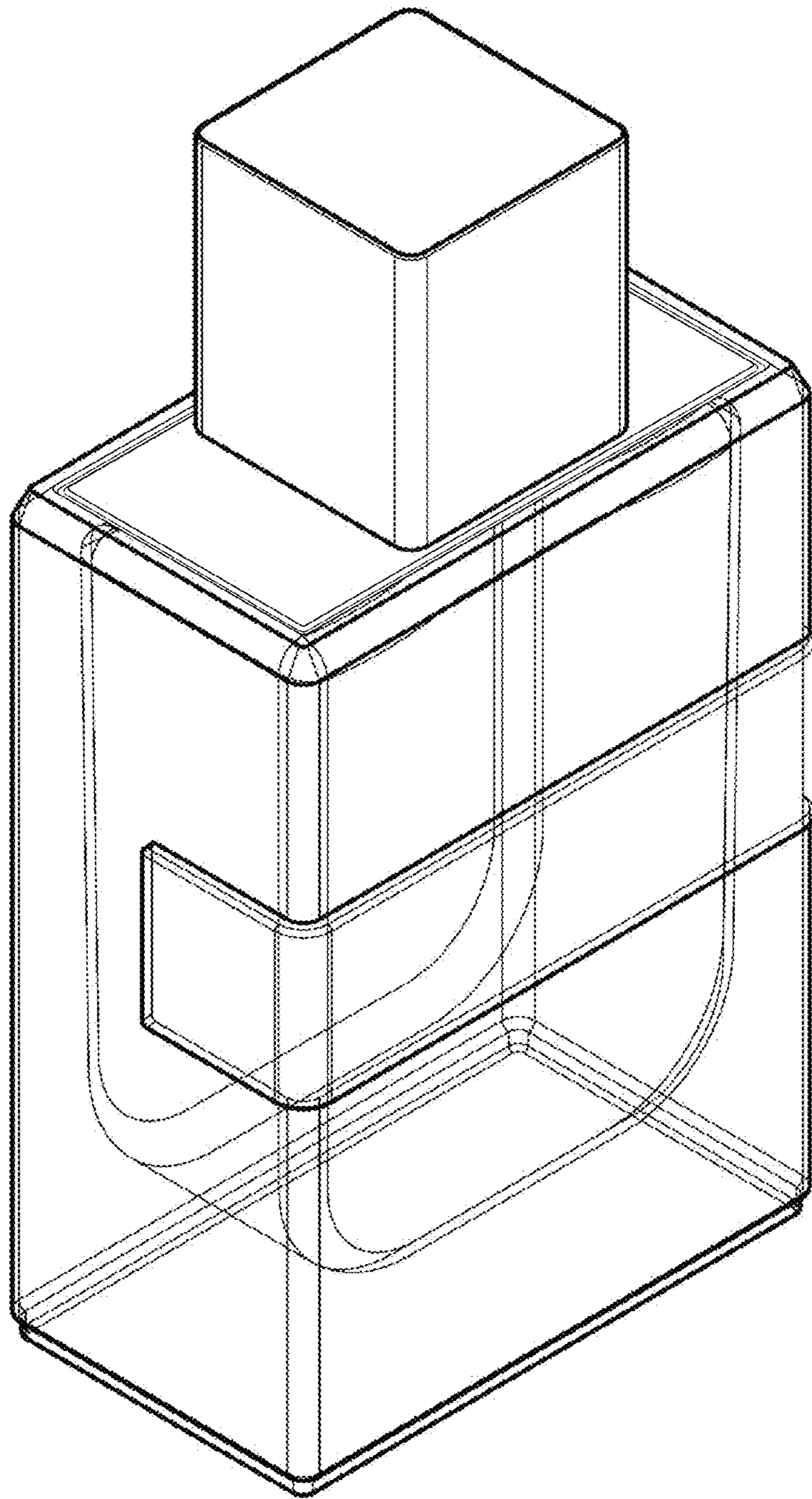


FIG. 1

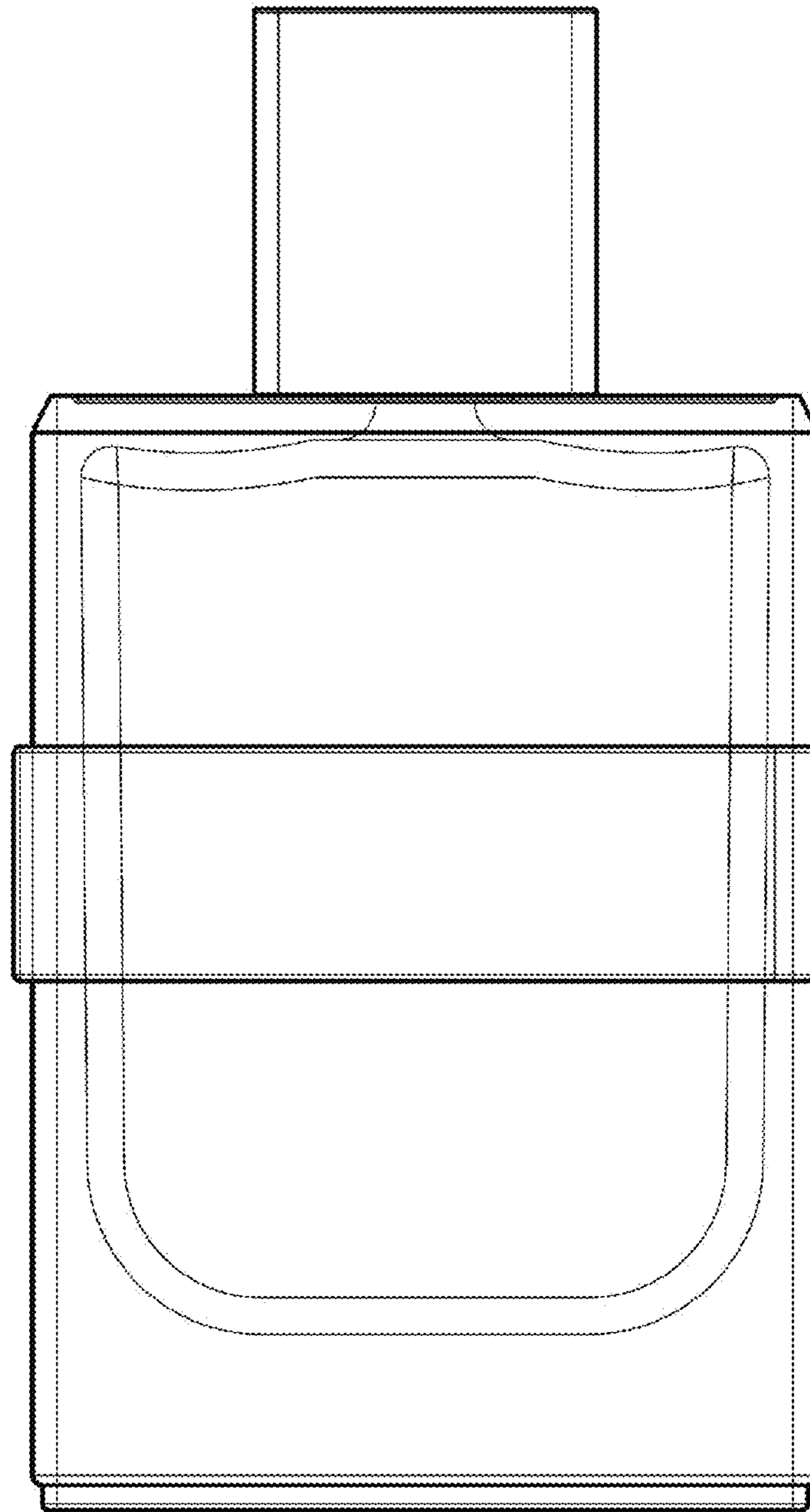


FIG. 2

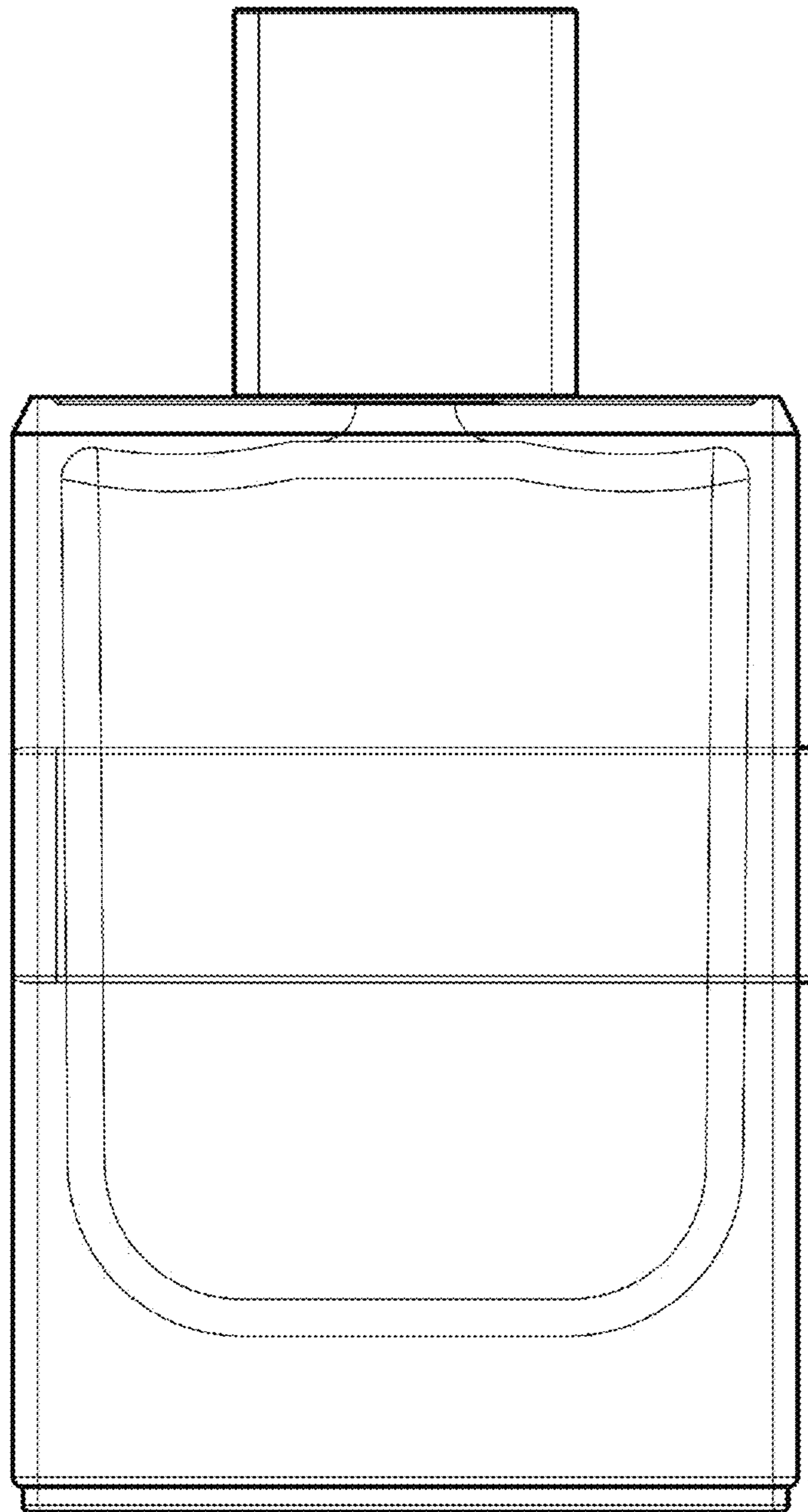


FIG. 3

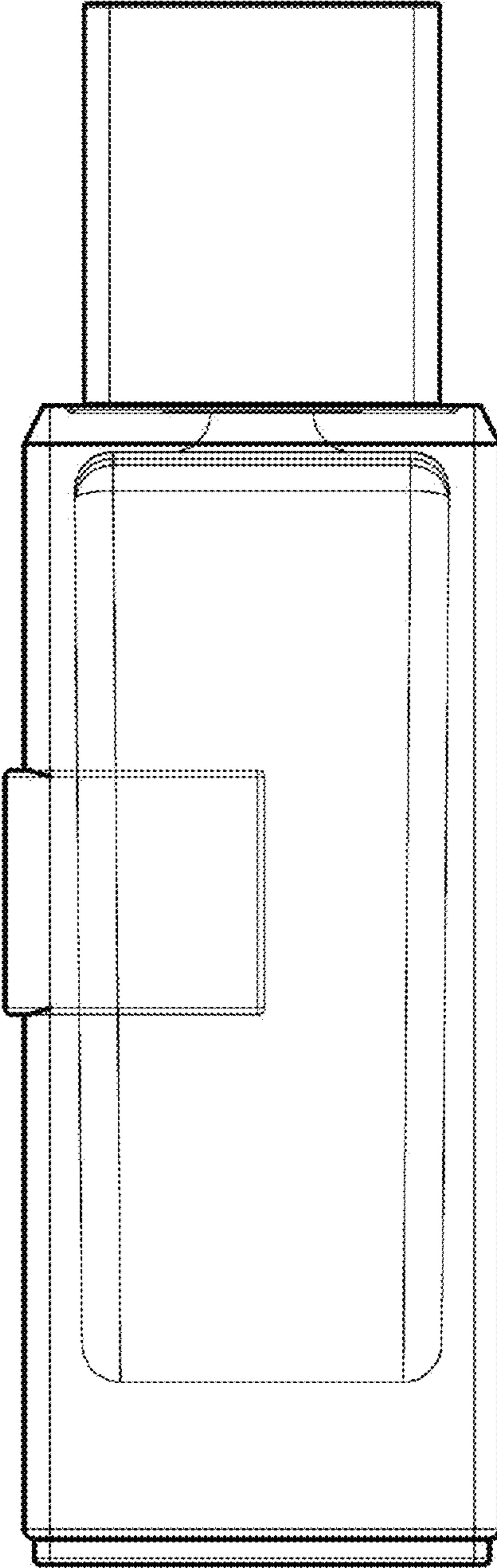


FIG. 4

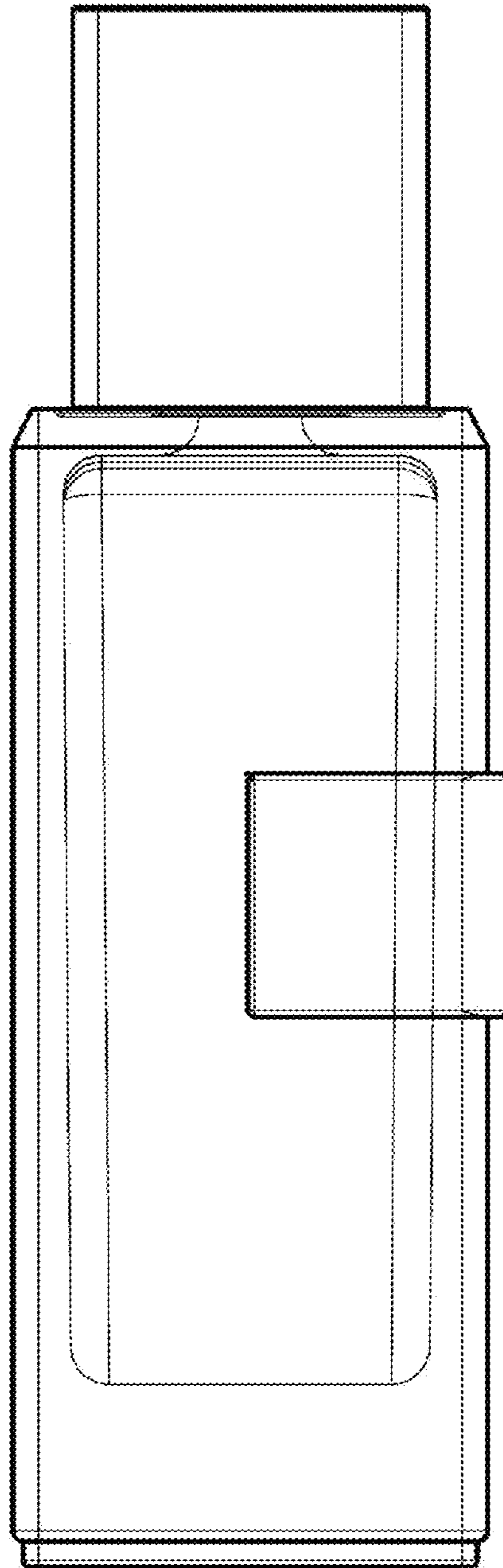


FIG. 5

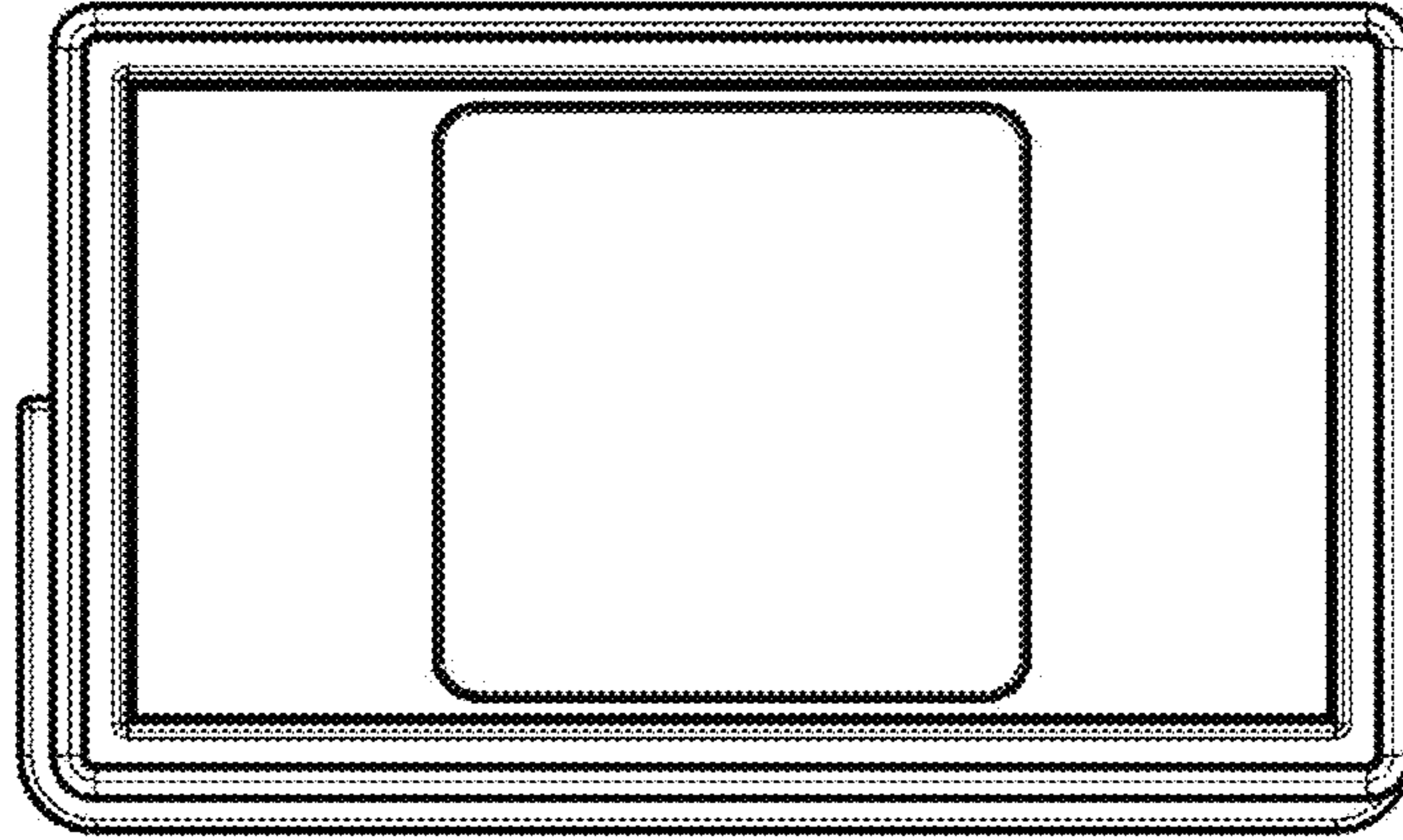


FIG. 6

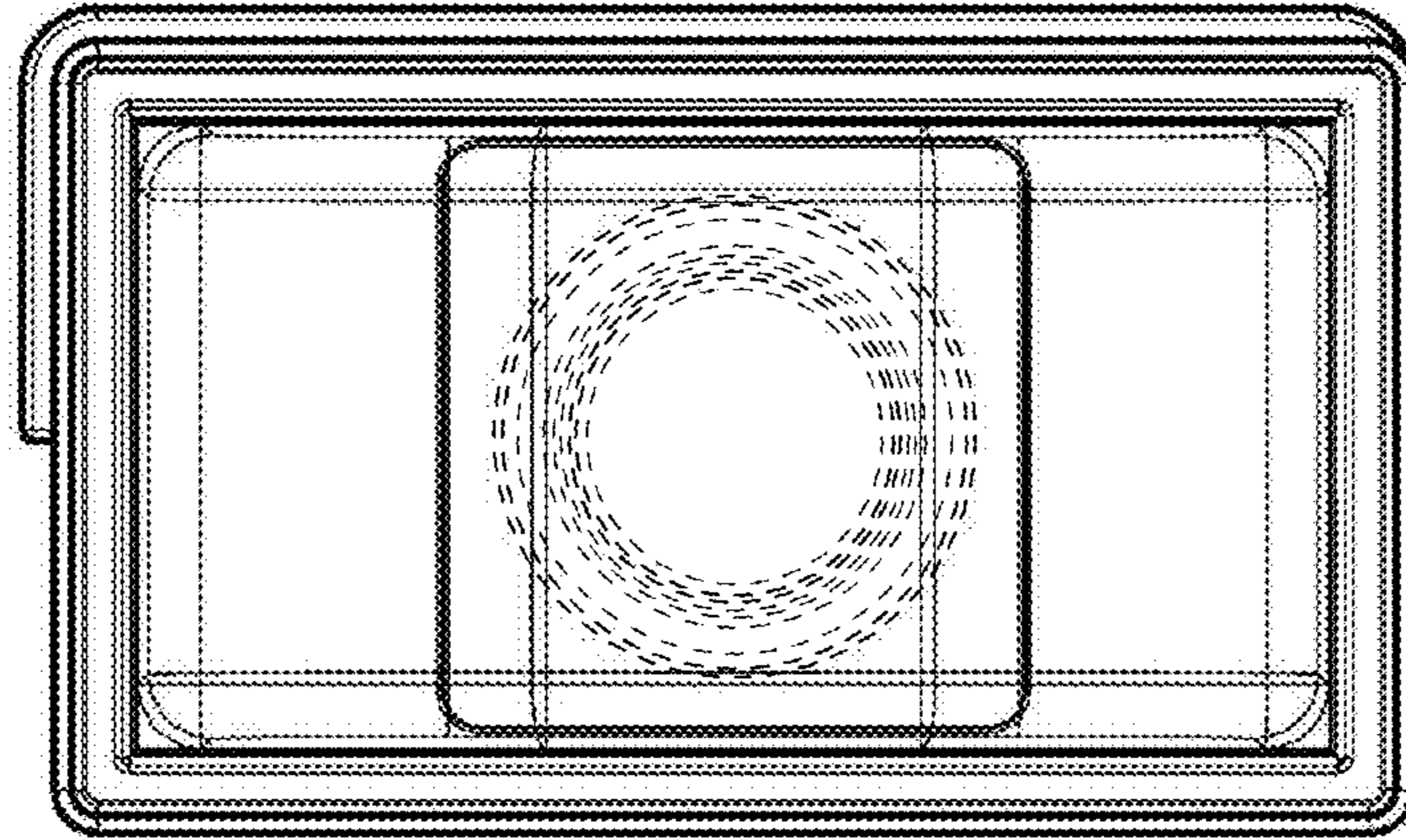


FIG. 7