



US00D924683S

(12) **United States Design Patent**
Vallotton et al.

(10) **Patent No.:** **US D924,683 S**
(45) **Date of Patent:** **** Jul. 13, 2021**

(54) **CAP FOR PHARMACEUTICAL CONTAINERS**
(71) Applicant: **B. Braun Melsungen AG**, Melsungen (DE)

D316,449 S * 4/1991 D'Aquino D24/226
D321,940 S * 11/1991 D'Aquino D15/90
D345,611 S * 3/1994 Long D24/224
D349,647 S * 8/1994 Moffitt D9/435
D351,087 S 10/1994 Anderson
(Continued)

(72) Inventors: **Raphaël Vallotton**, Blonay (CH);
Michel Pittet, Aumont (CH)

FOREIGN PATENT DOCUMENTS

(73) Assignee: **B. Braun Melsungen AG**, Melsungen (DE)

EP 0022460740001 5/2013
EP 0022460740002 5/2013

(**) Term: **15 Years**

OTHER PUBLICATIONS

(21) Appl. No.: **29/600,128**

German Healthcare Export Group. High demands—High quality infusion container Ecoflac® plus. 2018 [earliest online date], [site visited Jun. 6, 2018]. Available from Internet, <URL:https://www.gheg.de/en/products/high-demands-high-quality-infusion-container-ecoflac-plus/>. (Year: 2018).*

(22) Filed: **Apr. 10, 2017**

(30) **Foreign Application Priority Data**

Oct. 10, 2016 (EP) 003413541

(51) **LOC (13) Cl.** **09-07**

(52) **U.S. Cl.**
USPC **D9/435**; D9/436

(58) **Field of Classification Search**
USPC D3/201, 203.1, 203.2, 203.3; D7/300, D7/312, 313, 387, 392, 392.1, 396.1, D7/396.2, 397, 398; D9/434–436, 440, D9/443, 447, 448, 452–456, 499; D24/121, 226, 227
CPC A61J 1/1406; A61J 1/1431; A61J 1/1412; B65D 51/002
See application file for complete search history.

(Continued)

Primary Examiner — Darcey E Gottschalk

(56) **References Cited**

U.S. PATENT DOCUMENTS

D130,156 S * 10/1941 Perrin D3/203.1
D181,332 S * 11/1957 Anderson D23/260
D227,744 S * 7/1973 Mitchko D3/203.2
D245,991 S * 10/1977 Gravel D23/260
D278,930 S * 5/1985 Zaccai D24/226
D285,118 S * 8/1986 Huang D24/226

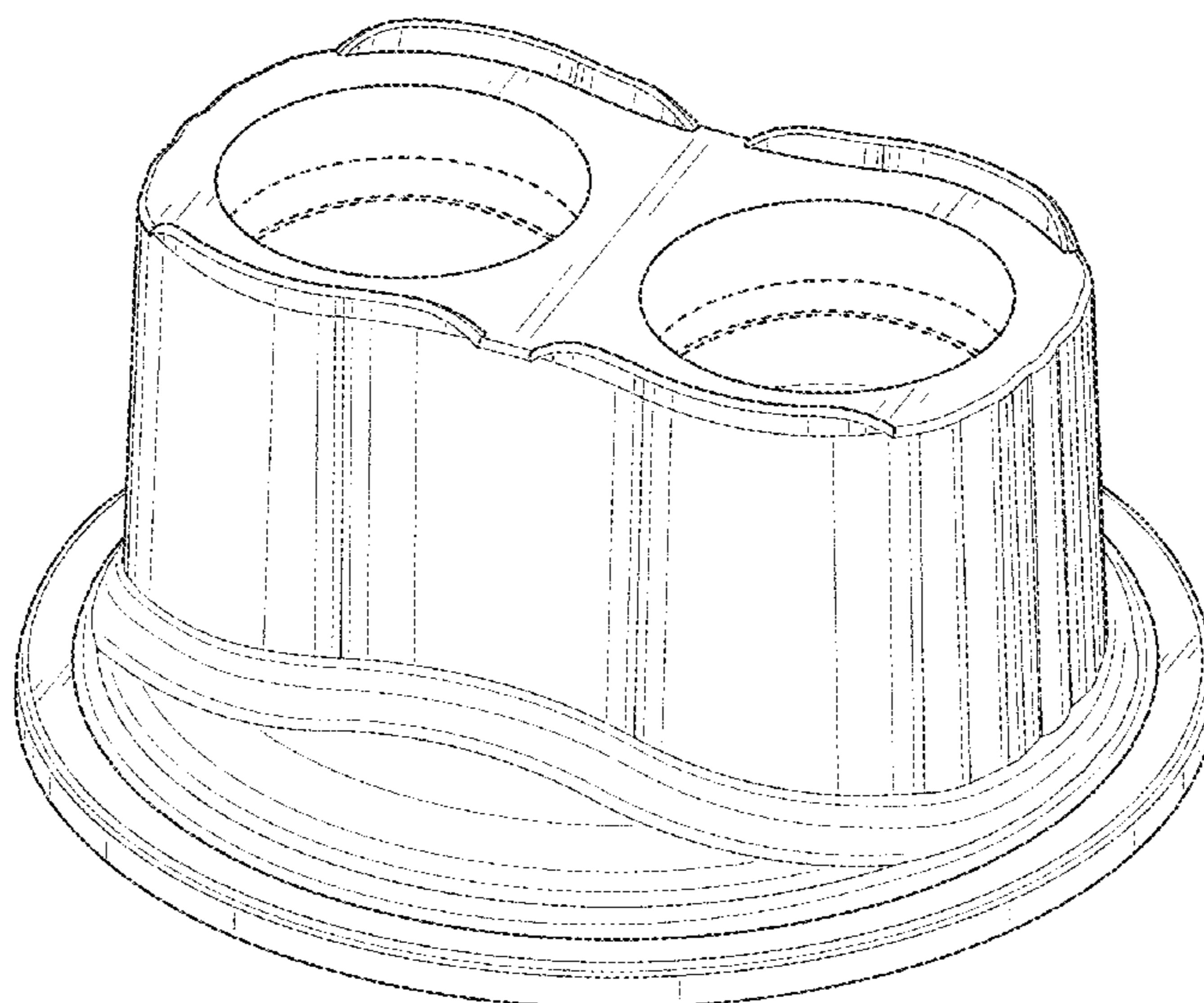
(57) **CLAIM**

The ornamental design for a cap for pharmaceutical containers, as shown and described.

DESCRIPTION

FIG. 1 is a perspective view of a cap for pharmaceutical containers;
FIG. 2 is a top plan view thereof;
FIG. 3 is a bottom plan view thereof;
FIG. 4 is a front elevation view thereof;
FIG. 5 is a rear elevation view thereof;
FIG. 6 is an elevation view thereof from the right side; and,
FIG. 7 is an elevation view thereof from the left side.
The broken line showing of the cap for pharmaceutical containers is for the purpose of illustrating portions of the cap for pharmaceutical containers and forms no part of the claimed design.

1 Claim, 7 Drawing Sheets



(56)

References Cited

U.S. PATENT DOCUMENTS

5,873,494 A 2/1999 Dallas, Jr.
 5,896,892 A * 4/1999 Adamson F16L 57/005
 138/89
 D465,970 S 11/2002 Dimeo
 D519,728 S * 5/2006 Chue D3/203.3
 D522,145 S 5/2006 Best et al.
 D539,084 S 3/2007 Cundieff
 D540,380 S 4/2007 Hoshiya et al.
 D550,503 S 9/2007 Liu
 D574,237 S * 8/2008 Yates, III D9/447
 D590,255 S 4/2009 Maxwell
 D614,487 S * 4/2010 Beam D9/435
 D684,276 S * 6/2013 Hudson D24/226
 8,720,715 B2 5/2014 Mader
 D707,039 S * 6/2014 Zerlin D3/203.2
 D717,470 S * 11/2014 Demas D24/226
 D731,672 S 6/2015 Kuroda et al.
 D736,403 S * 8/2015 Hudson D24/216
 D748,249 S * 1/2016 Pittet D24/129
 D754,361 S * 4/2016 McHale D24/224
 D772,706 S 11/2016 Zhang et al.

D779,081 S * 2/2017 McHale D24/227
 9,731,872 B2 * 8/2017 Beine B65D 41/28
 D802,419 S * 11/2017 Seiders D9/447
 D807,171 S * 1/2018 Miller D9/435
 D834,938 S 12/2018 Barnes et al.
 D835,457 S 12/2018 Sedgwick
 D887,838 S * 6/2020 Vallotton D9/435
 D887,839 S * 6/2020 Vallotton D9/435
 D887,840 S * 6/2020 Vallotton D9/435
 D887,841 S * 6/2020 Vallotton D9/435

OTHER PUBLICATIONS

Daily Med. Sodium Chloride Injection. Aug. 2014 [earliest online date], [site visited Jun. 6, 2018]. Available from Internet, <URL:<https://dailymed.nlm.nih.gov/dailymed/fda/fdaDrugXsl.cfm?setid=271e8b0f-d051-48a7-9093-8b53078a6a07&type=display>>. (Year: 2014).
 FDA, "Useful Handling Tips for Ecoflac® Plus", downloaded at <https://www.fda.gov/media/89938/download>, 2014, 1 page.
 Non Final Office Action for U.S. Appl. No. 29/685,475, dated Jun. 12, 2019, 15 pages.

* cited by examiner

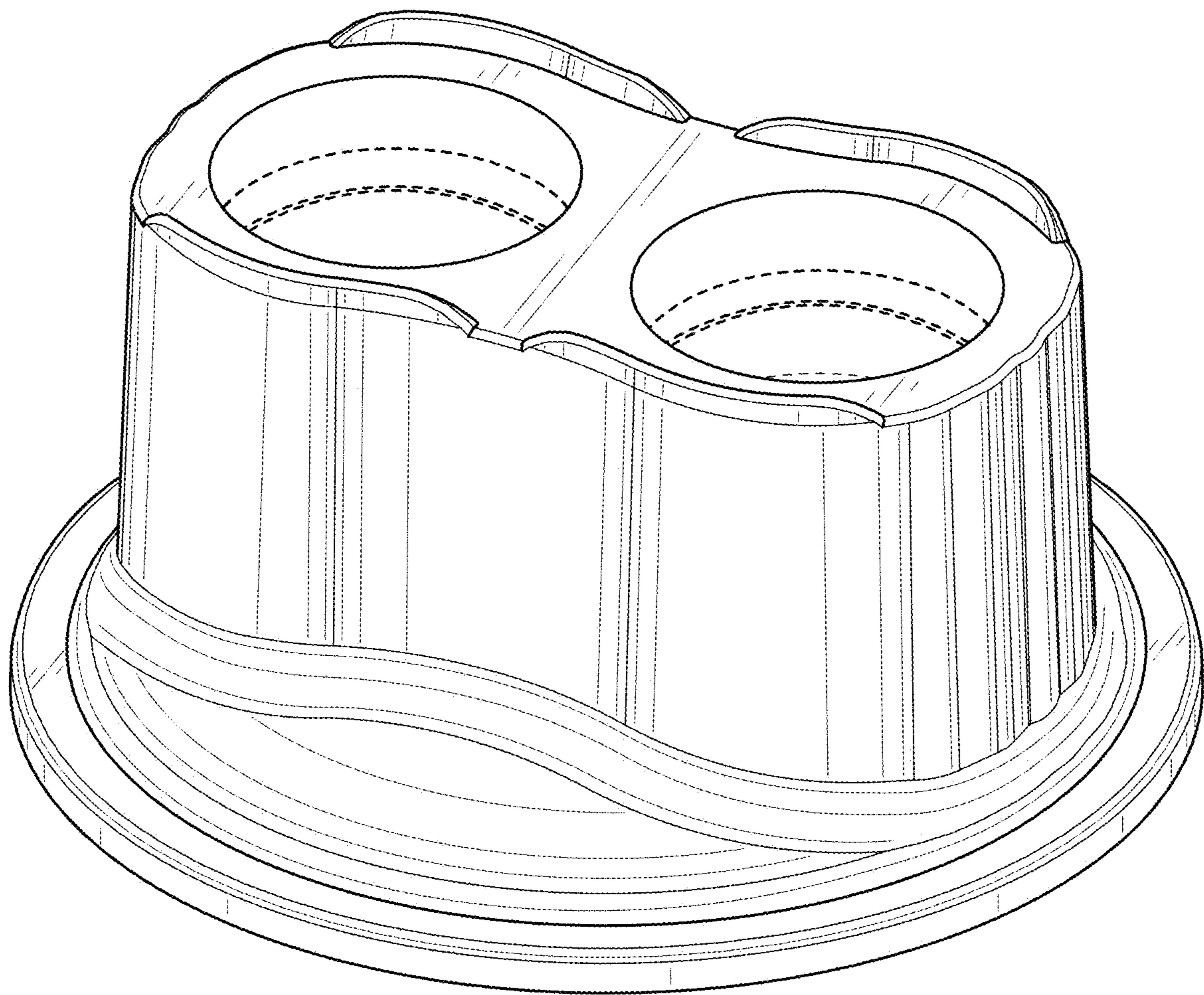


FIG. 1

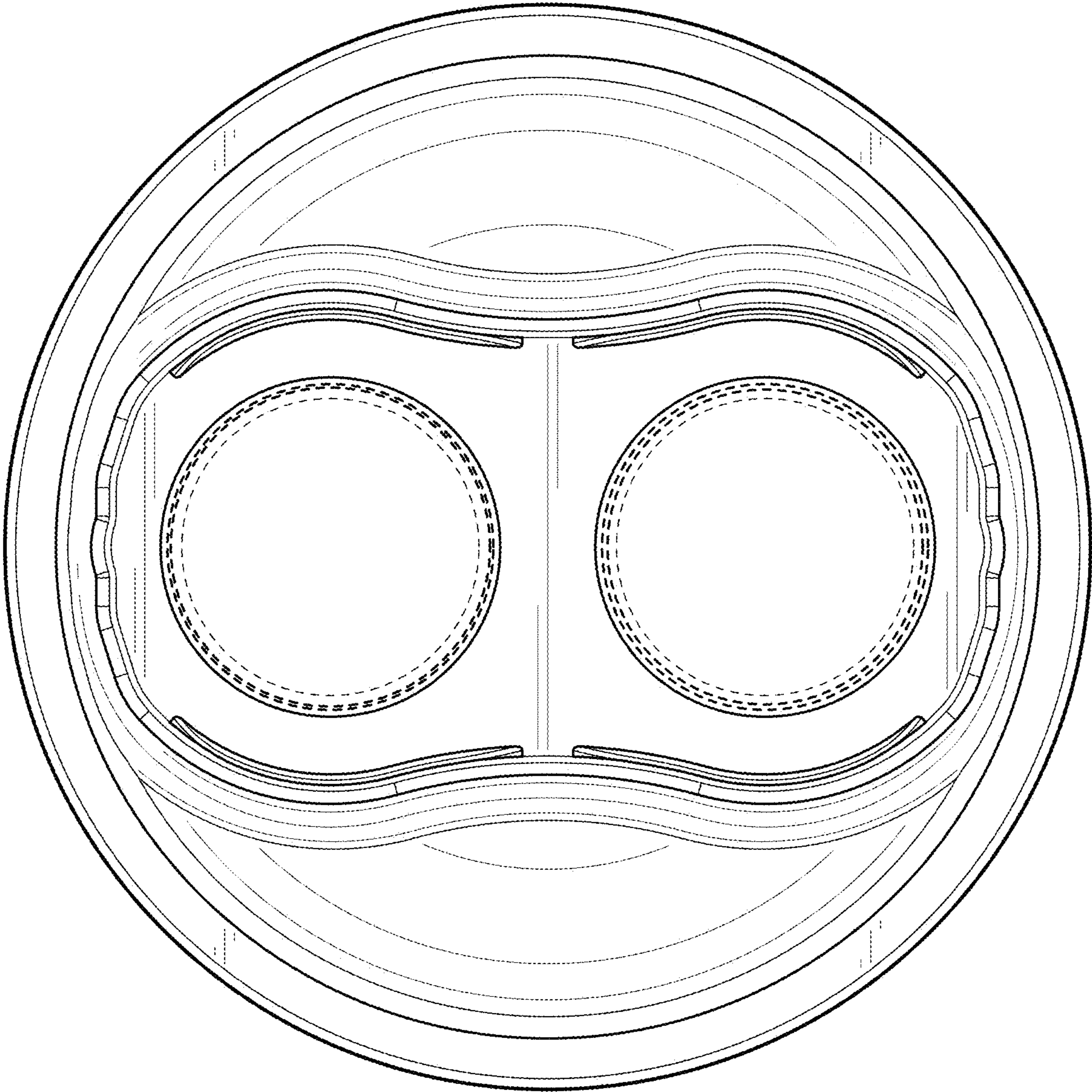


FIG. 2

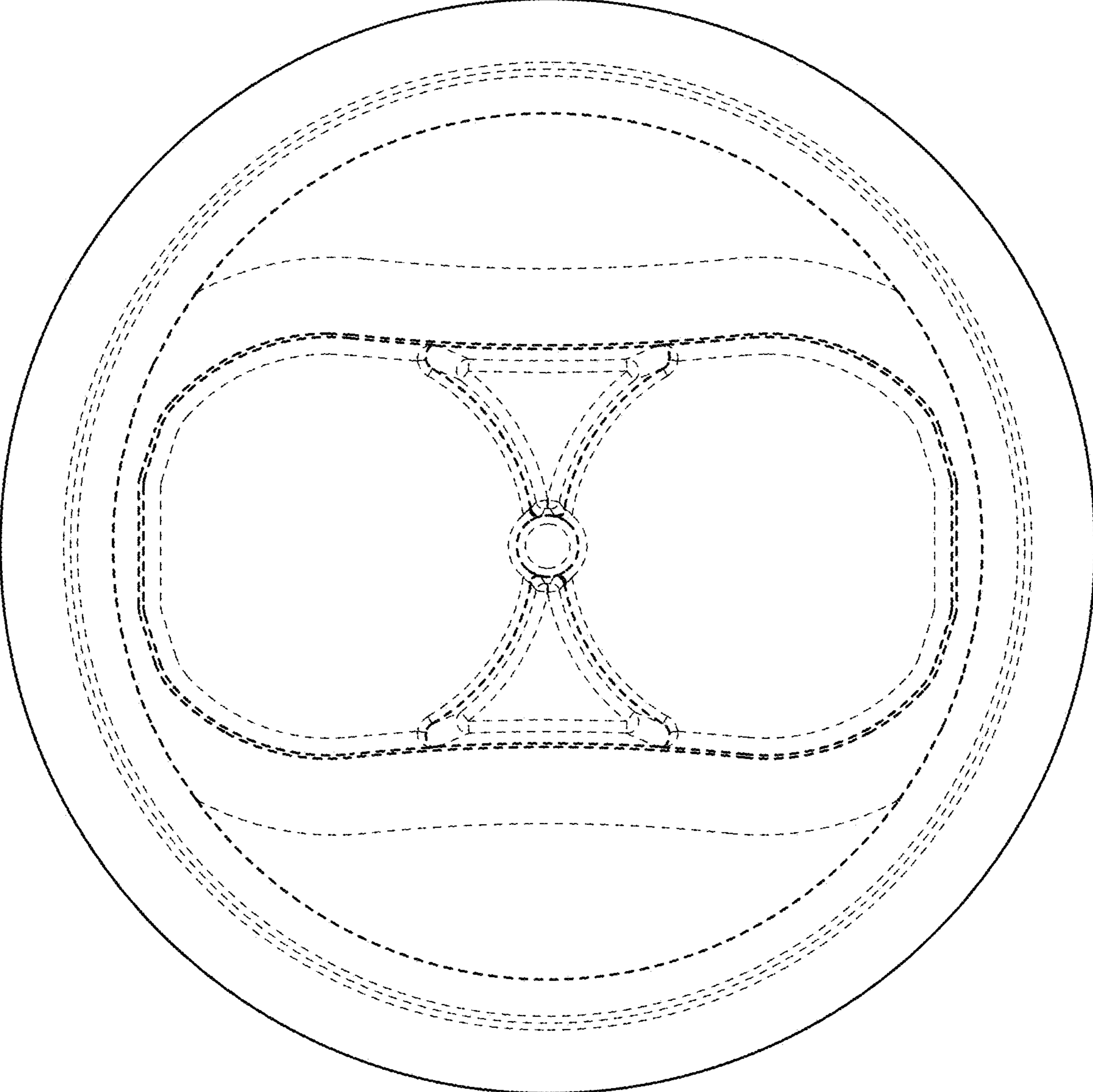


FIG. 3

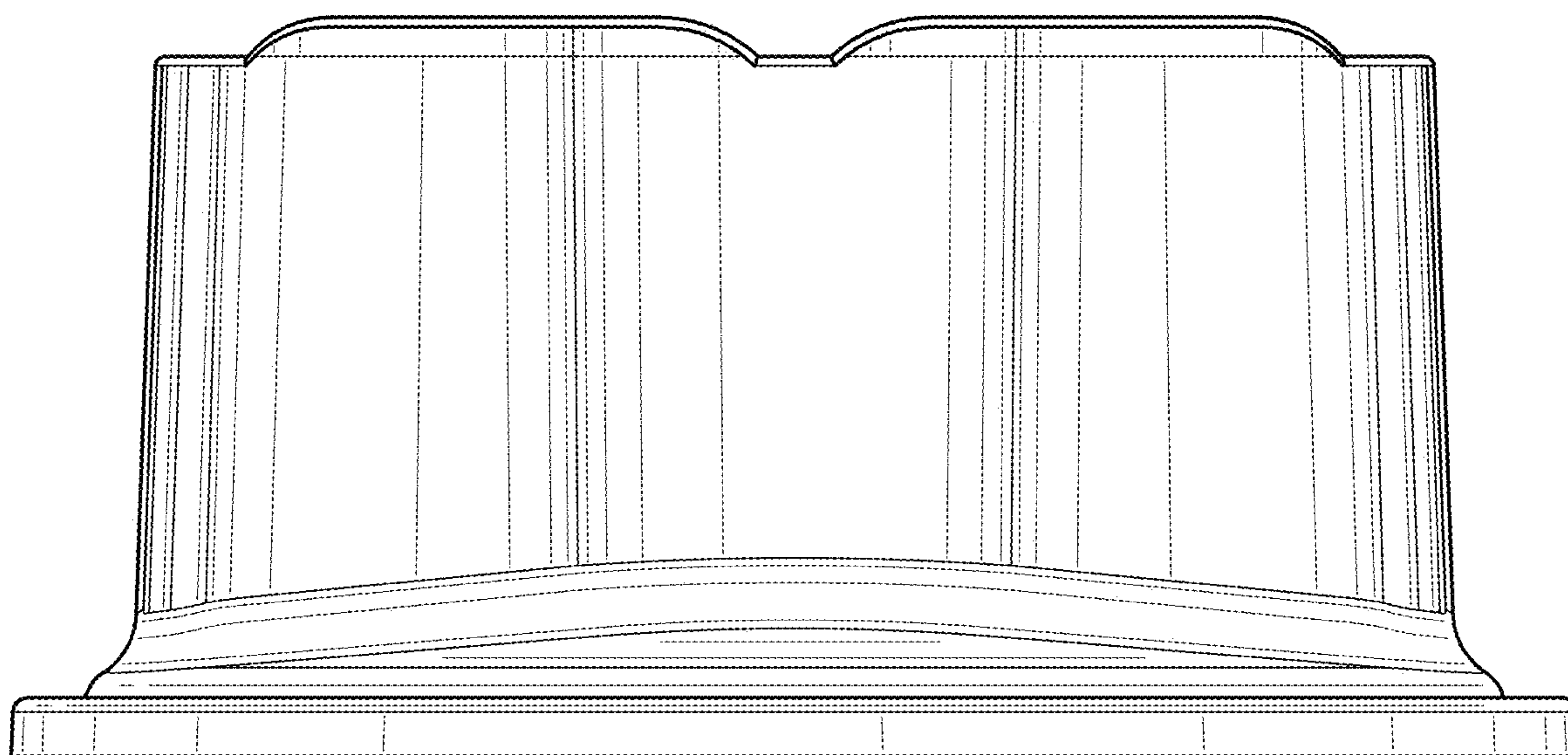


FIG. 4

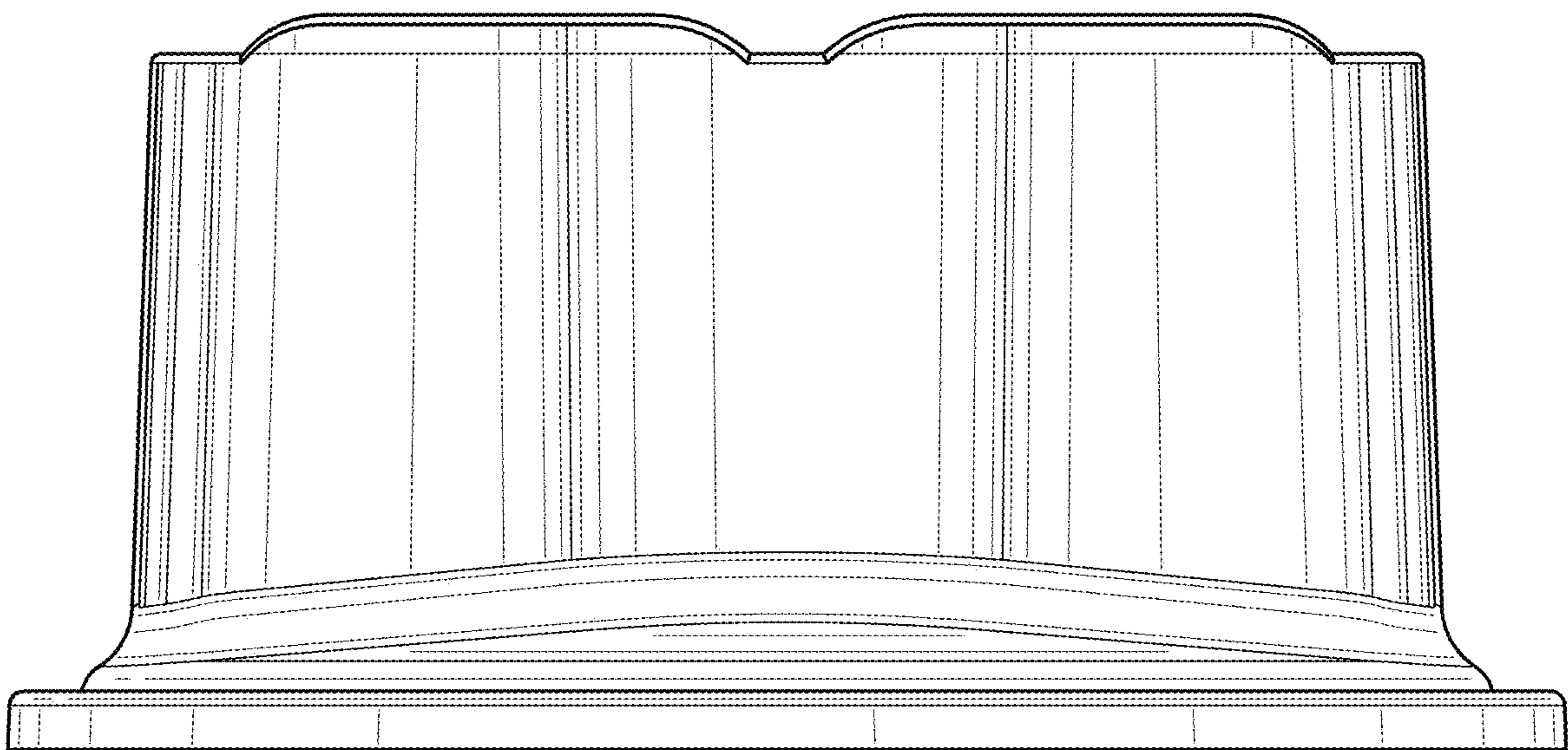


FIG. 5

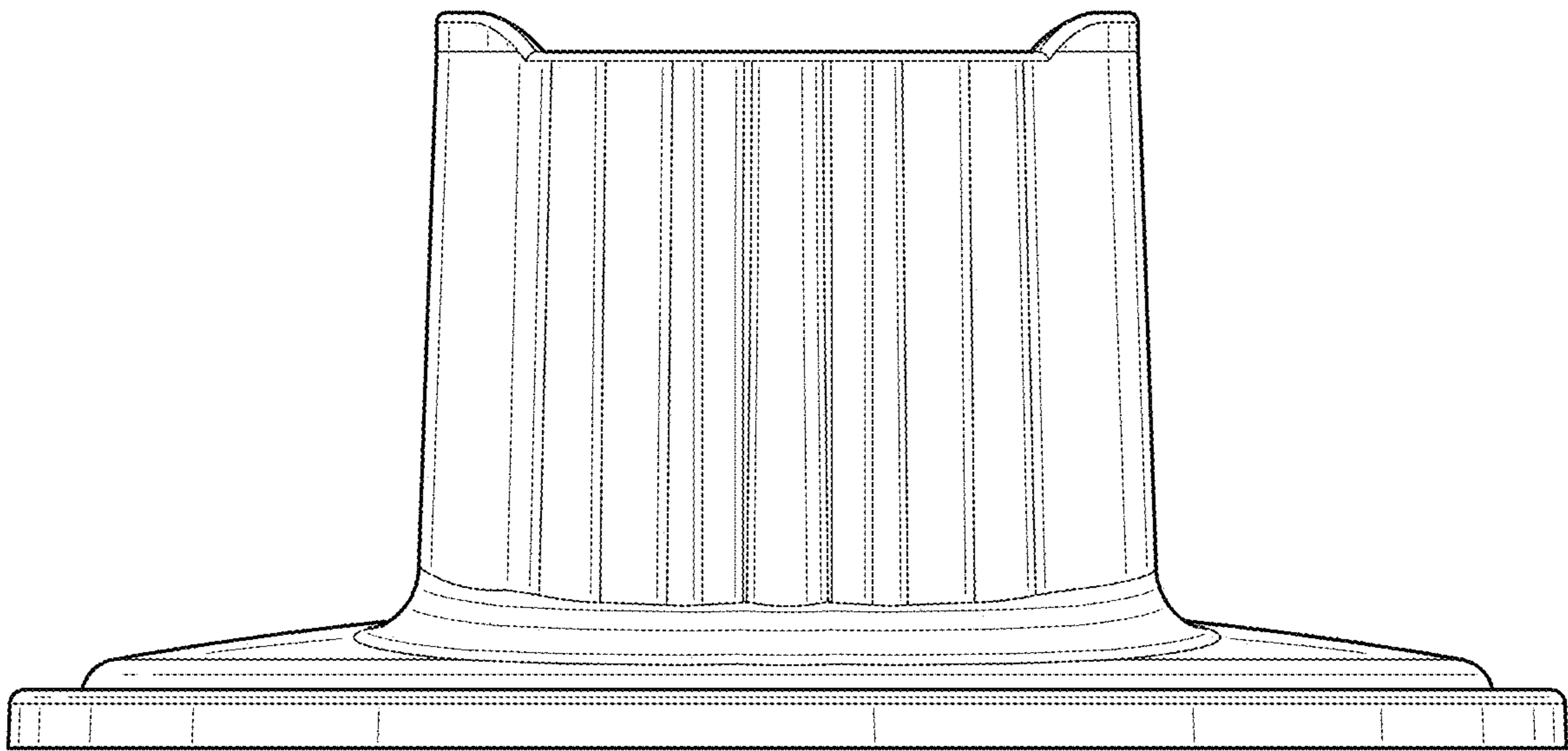


FIG. 6

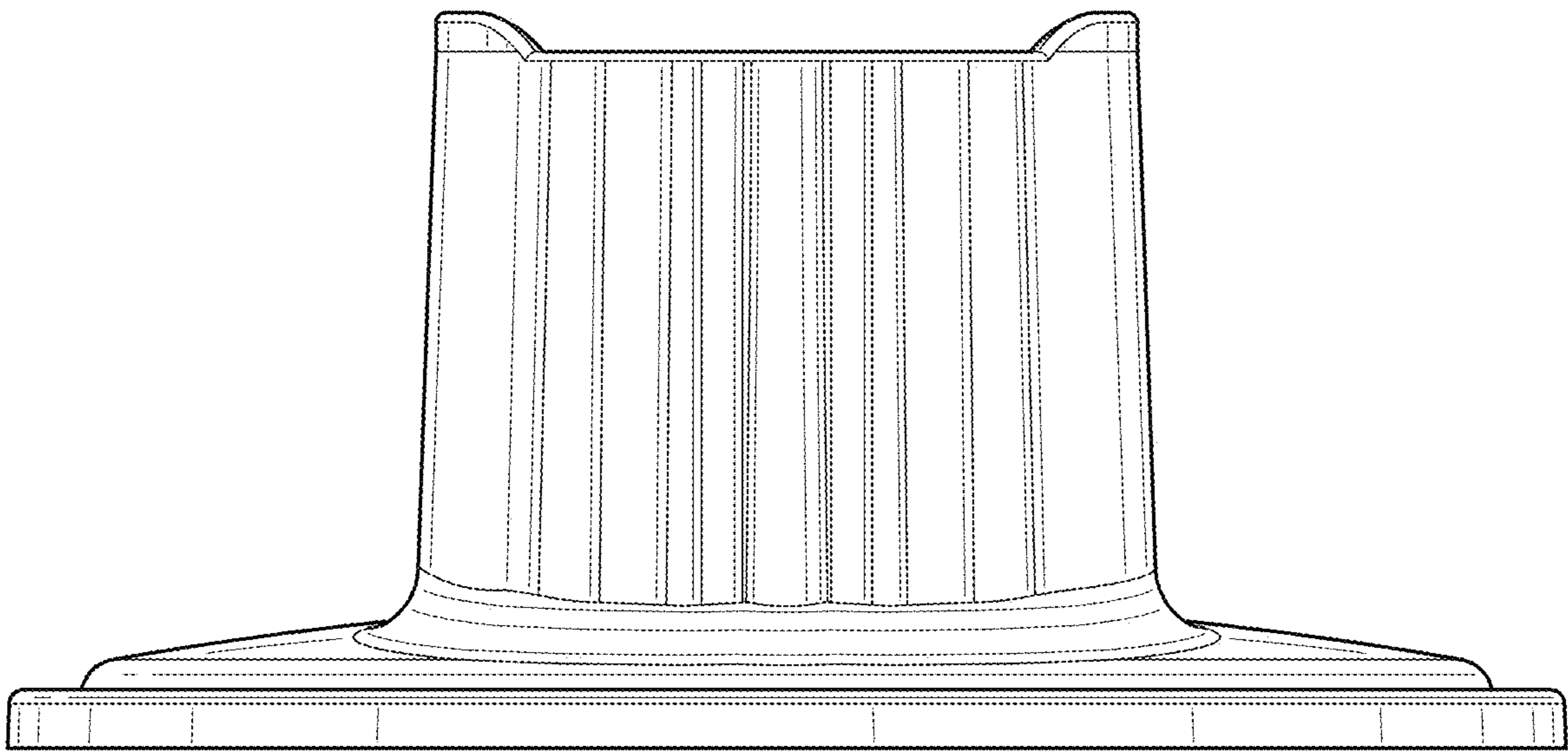


FIG. 7