

US00D924676S

(12) **United States Design Patent** (10) **Patent No.:** **US D924,676 S**
Dancy et al. (45) **Date of Patent:** **** Jul. 13, 2021**

- (54) **ANTI-LIGATURE COVER FOR CORNER APPLICATIONS**
- (71) Applicant: **NATIONAL GUARD PRODUCTS, INC.**, Memphis, TN (US)
- (72) Inventors: **Deraid Gene Dancy**, Collierville, TN (US); **Theophil Durwin Goossens**, Southaven, MS (US)
- (73) Assignee: **NATIONAL GUARD PRODUCTS, INC.**, Memphis, TN (US)
- (**) Term: **15 Years**
- (21) Appl. No.: **29/723,133**
- (22) Filed: **Feb. 4, 2020**
- (51) **LOC (13) Cl.** **08-09**
- (52) **U.S. Cl.**
USPC **D8/403**
- (58) **Field of Classification Search**
USPC D8/321, 331, 338, 340, 341, 343, 381, D8/346, 354, 403
CPC E05B 13/00; E05B 15/00; E05B 17/00
See application file for complete search history.

- (56) **References Cited**
- U.S. PATENT DOCUMENTS
- | | | | | |
|---------------|---------|-----------|-------|------------------------|
| D253,506 S * | 11/1979 | Vigue | | D8/403 |
| 4,529,091 A * | 7/1985 | Martin | | B65D 81/056
206/453 |
| 4,731,918 A * | 3/1988 | Burghardt | | A47B 13/083
108/156 |
| D356,946 S * | 4/1995 | Rekuc | | D8/403 |
| D462,259 S * | 9/2002 | Williams | | D8/403 |
| D473,498 S * | 4/2003 | Breckner | | D12/167 |

- | | | | | |
|-------------------|---------|----------|-------|------------------------|
| D499,674 S * | 12/2004 | Breckner | | D12/167 |
| D557,432 S * | 12/2007 | Smith | | D25/136 |
| D618,995 S * | 7/2010 | Lavelle | | D8/403 |
| D624,813 S * | 10/2010 | Lavelle | | D8/403 |
| D707,985 S * | 7/2014 | Keever | | D6/606 |
| D783,856 S * | 4/2017 | Super | | D24/227 |
| D898,553 S * | 10/2020 | Trombley | | D8/354 |
| D910,430 S * | 2/2021 | Chan | | D8/403 |
| 2011/0278199 A1 * | 11/2011 | Dane | | B65D 81/056
206/586 |

* cited by examiner

Primary Examiner — Keli L Hill

Assistant Examiner — Harold E Blackwell, II

(74) *Attorney, Agent, or Firm* — Bass, Berry & Sims, PLC; Shu Chen

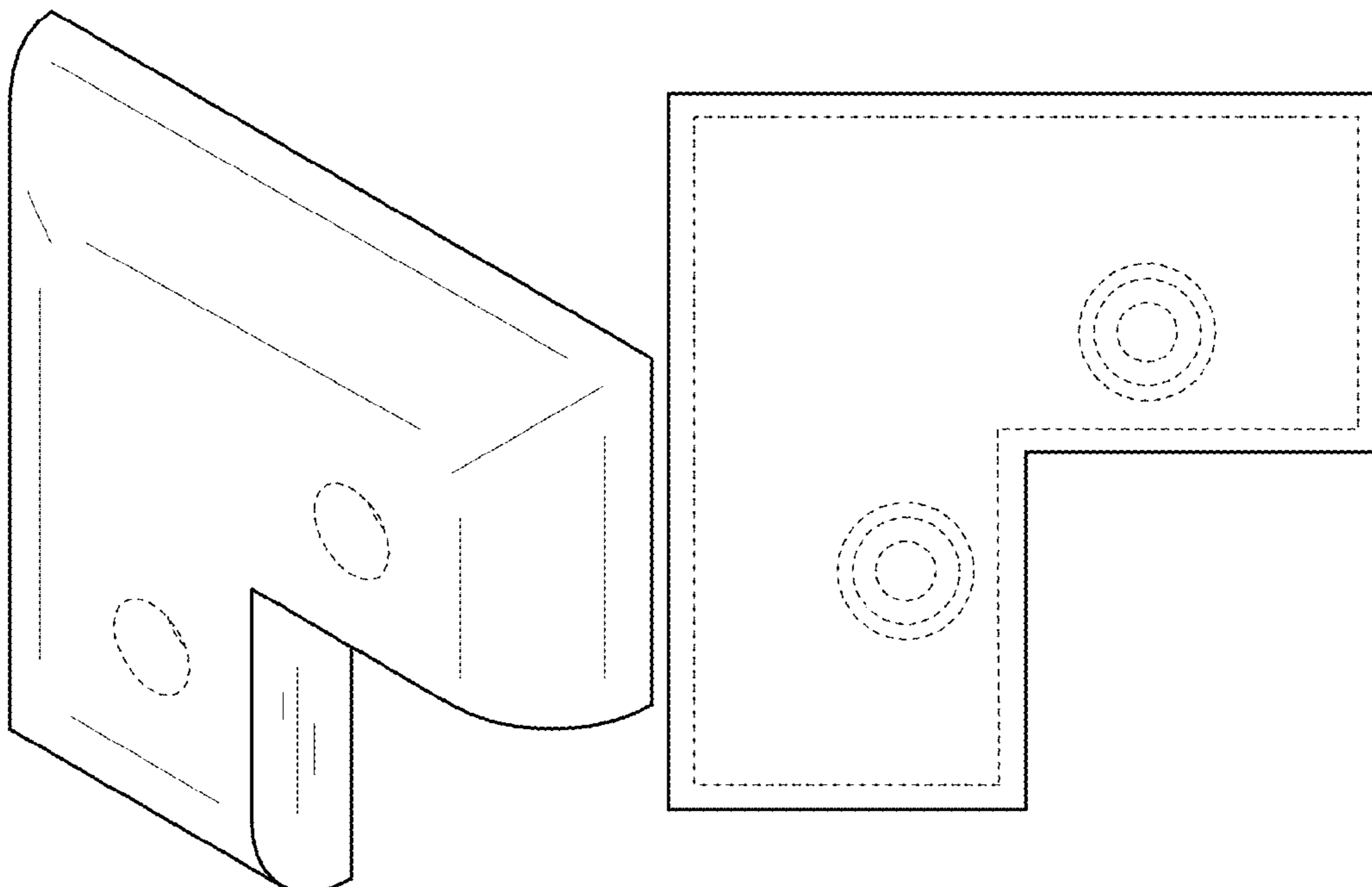
(57) **CLAIM**

The ornamental design for an anti-ligature cover for corner applications, as shown and described.

DESCRIPTION

FIG. 1 is a perspective view of an anti-ligature cover for corner applications showing our new design;
 FIG. 2 is a front side view thereof;
 FIG. 3 is a back side view thereof;
 FIG. 4 is a left side view thereof;
 FIG. 5 is a right side view thereof;
 FIG. 6 is a top plan view thereof; and,
 FIG. 7 is a bottom plan view thereof.
 The broken lines are included for the purpose of illustrating portions of the anti-ligature cover for corner applications that form no part of the claimed design.

1 Claim, 7 Drawing Sheets



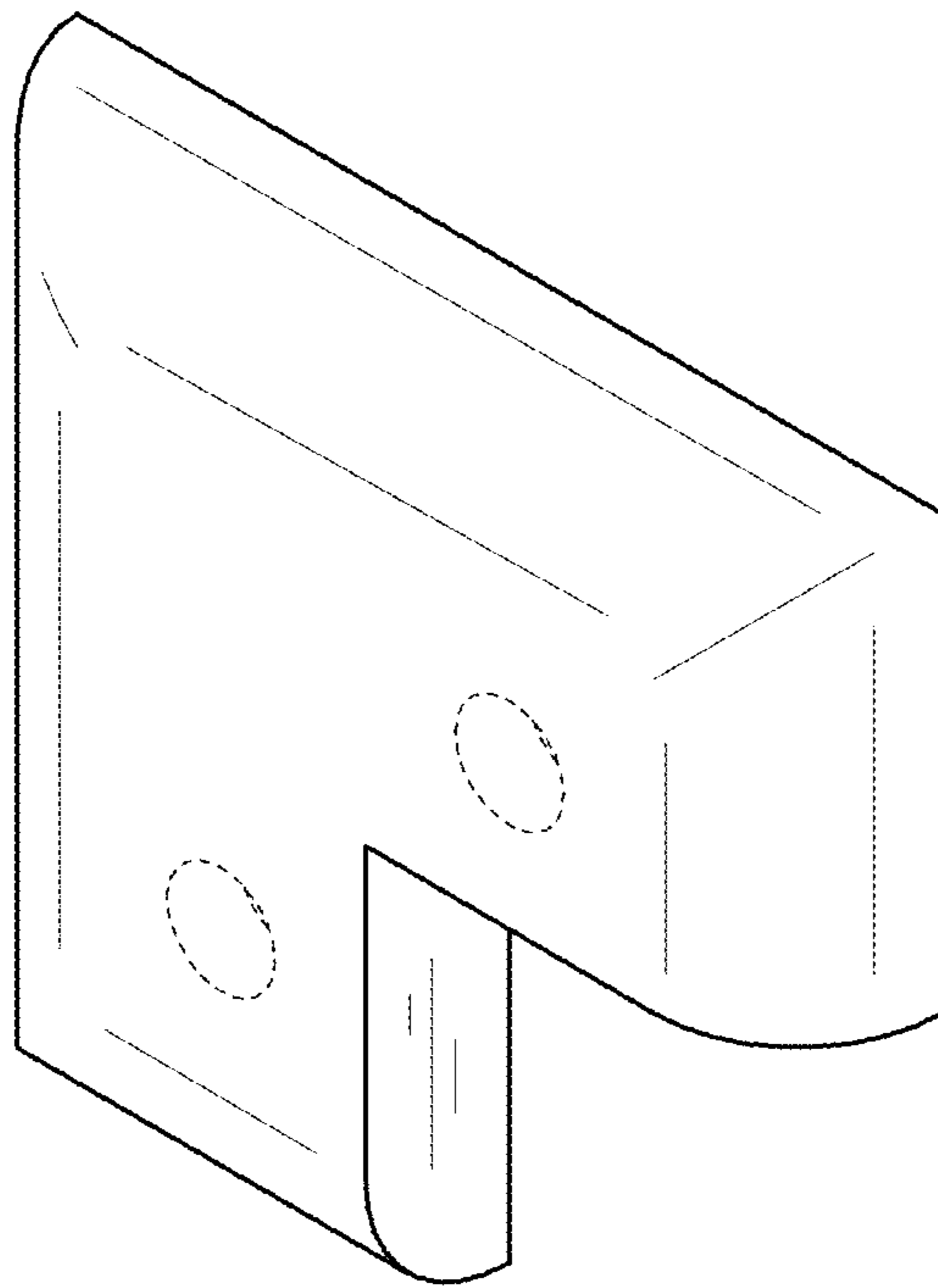


FIG. 1

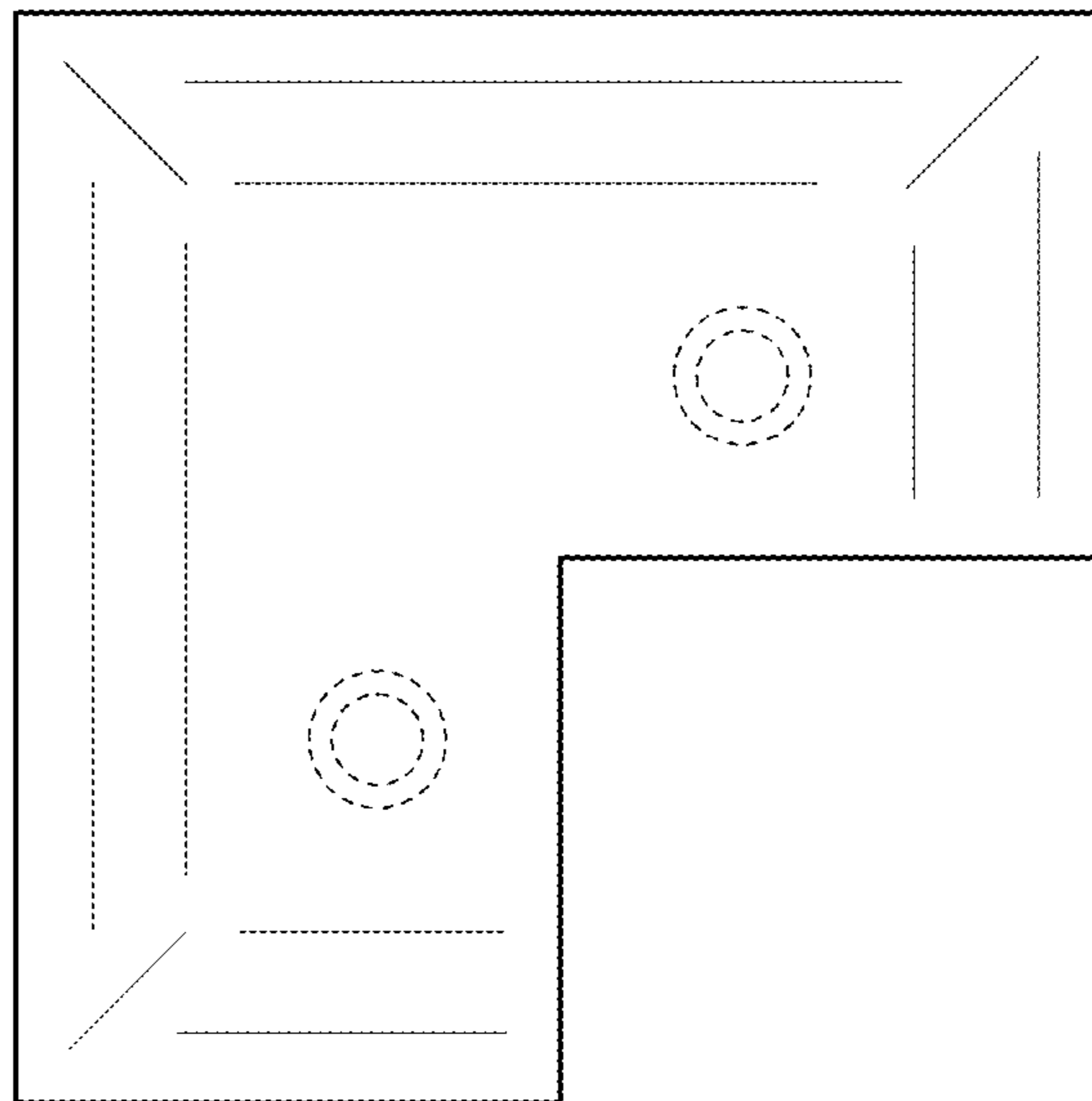


FIG. 2

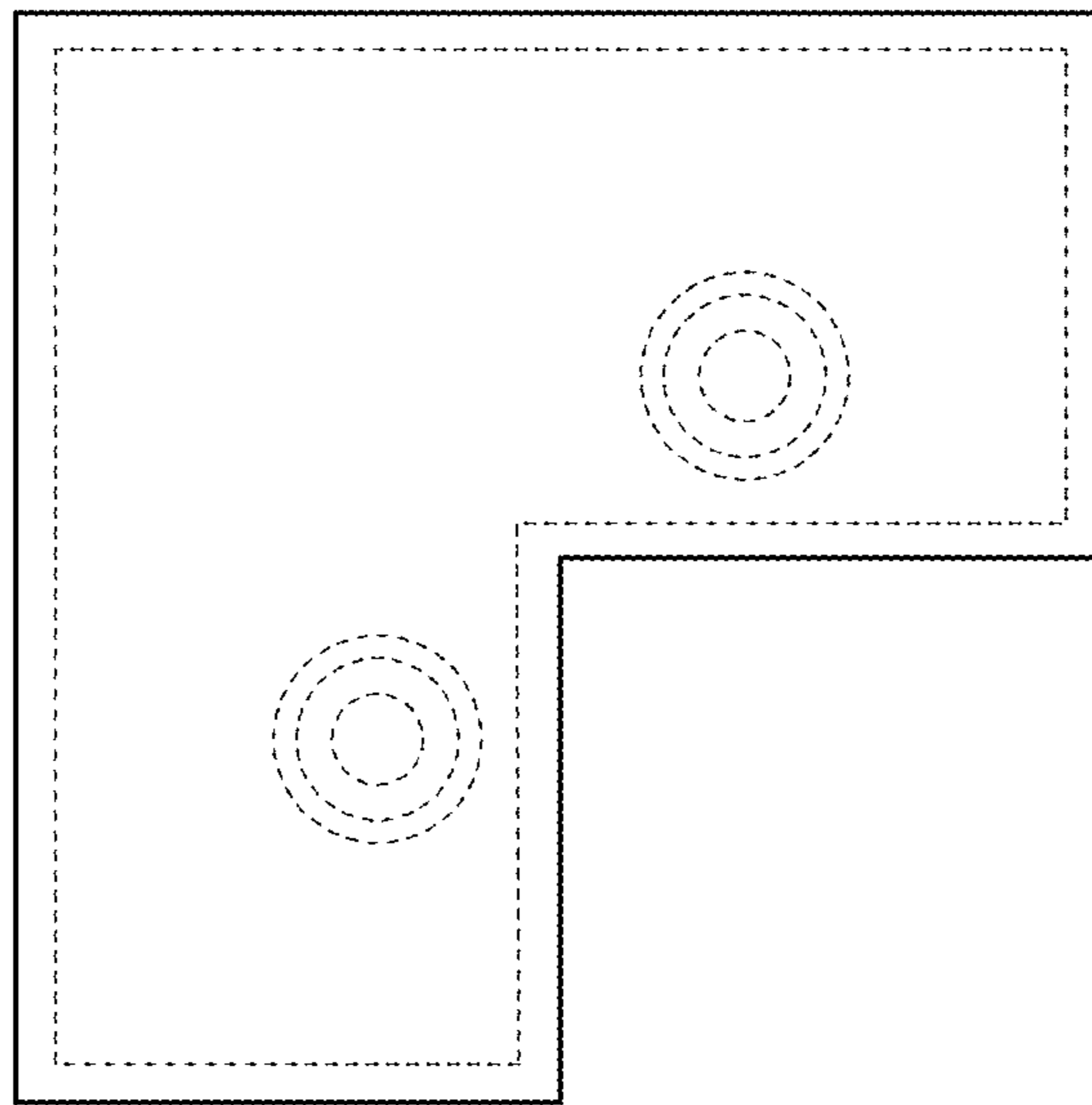


FIG. 3

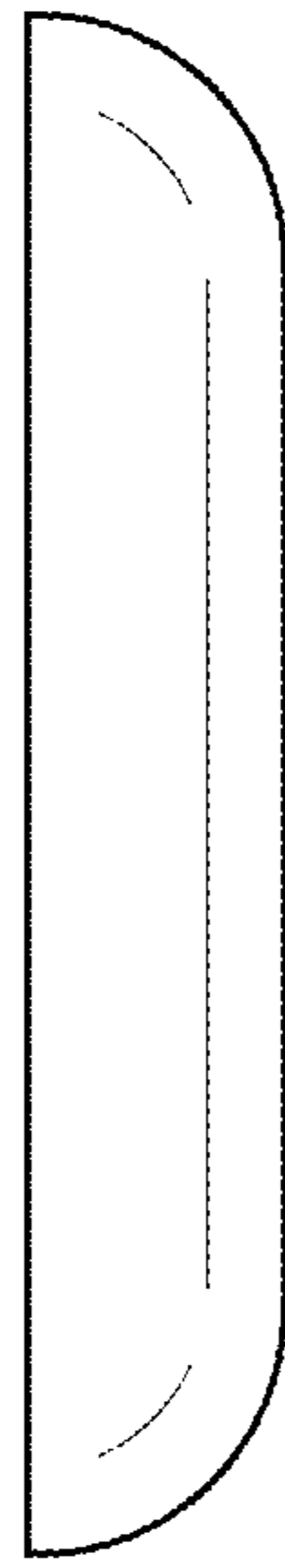


FIG. 4

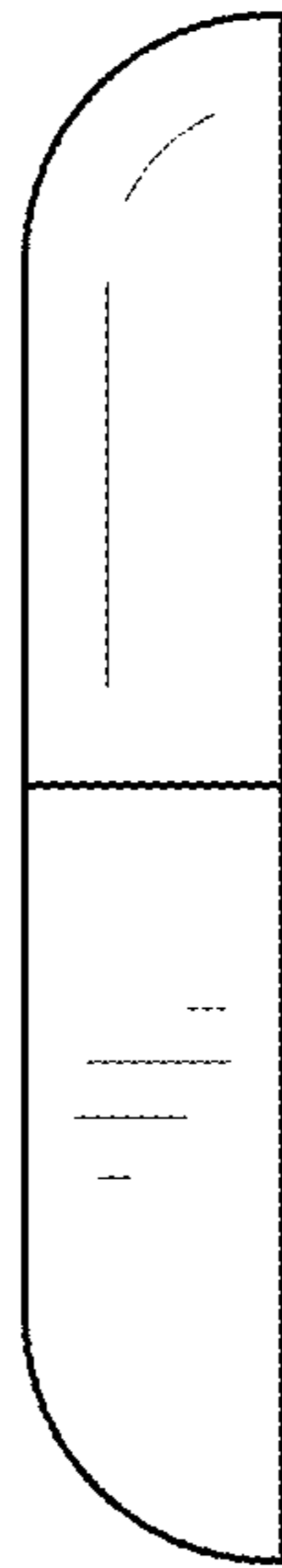


FIG. 5

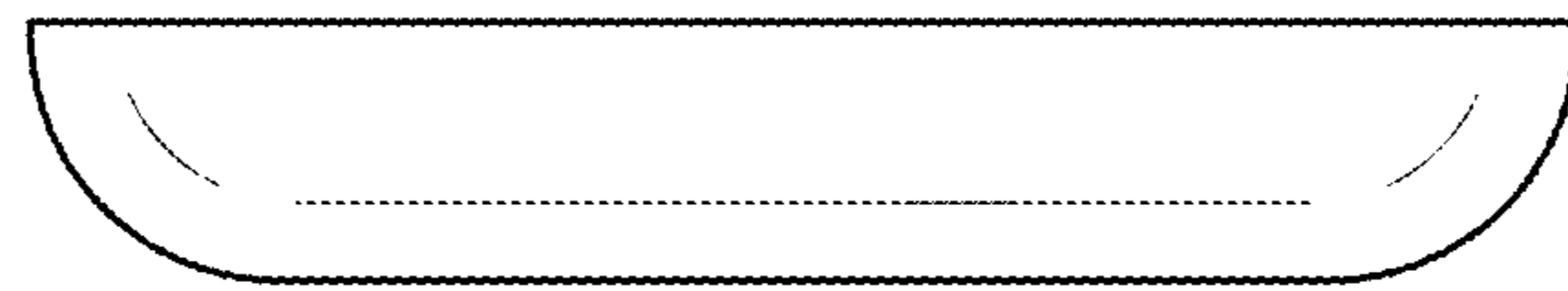


FIG. 6

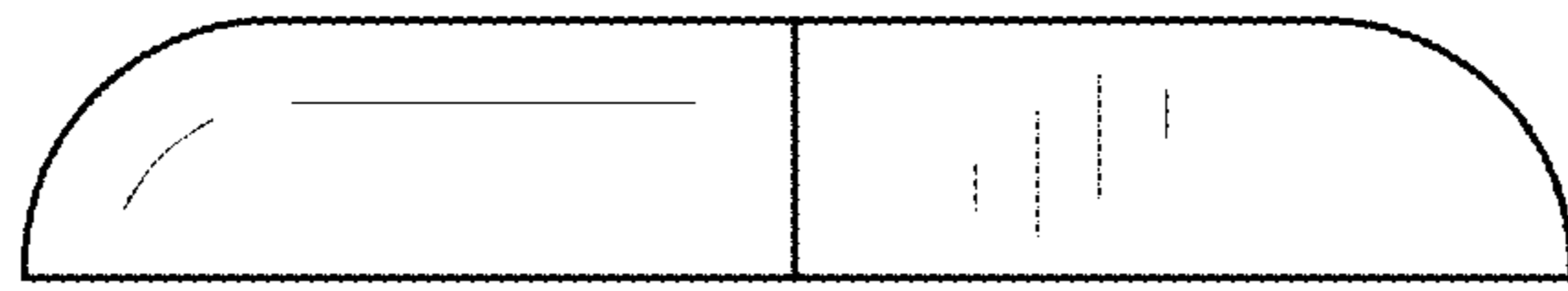


FIG. 7