



US00D924675S

(12) **United States Design Patent**
Potter et al.

(10) **Patent No.:** **US D924,675 S**

(45) **Date of Patent:** **** Jul. 13, 2021**

(54) **DOOR STOP**

(71) Applicant: **UNITED STATES POSTAL SERVICE**, Washington, DC (US)

(72) Inventors: **Thomas C. Potter**, Oak Hill, VA (US); **Scott R. Bombaugh**, Burke, VA (US); **Terry M. Gingell**, Spotsylvania, VA (US); **Anthony Taylor**, Stafford, VA (US); **Christopher M. Stratton**, Springfield, VA (US); **Benjamin Schwind**, Falls Church, VA (US)

(73) Assignee: **UNITED STATES POSTAL SERVICE**, Washington, DC (US)

(**) Term: **15 Years**

(21) Appl. No.: **29/726,994**

(22) Filed: **Mar. 6, 2020**

(51) **LOC (13) Cl.** **08-09**

(52) **U.S. Cl.**
USPC **D8/402**

(58) **Field of Classification Search**
USPC D8/336, 349, 354-355, 367, 373, 402, D8/380, 382-383, 394, 396; D32/72
CPC E05C 17/443
See application file for complete search history.

(56) **References Cited**

U.S. PATENT DOCUMENTS

D33,425 S *	10/1900	Eicholtz	D8/402
D47,851 S *	9/1915	Jensen	D8/402
D303,756 S *	10/1989	Meyers	D8/402
5,056,836 A *	10/1991	Wells	E05C 17/54 292/288
D563,744 S *	3/2008	Adwar	D8/47
D578,872 S *	10/2008	Healy	D8/402

7,644,964 B2 *	1/2010	Bushey	E05C 17/54 292/342
7,904,992 B2 *	3/2011	Agster	E05D 11/1014 16/82
D644,084 S *	8/2011	Canavan	D8/88
D655,144 S *	3/2012	Hajarizadeh	D8/47
D719,015 S *	12/2014	Hengler	D8/402
9,127,489 B2 *	9/2015	Orlov	E05C 17/025
9,644,407 B1 *	5/2017	Abramovits	E05C 17/54
9,745,045 B2 *	8/2017	Hegenbart	B64C 1/1461
10,760,309 B1 *	9/2020	Bowman	E05C 17/54
10,883,297 B1 *	1/2021	Seise	E05F 5/06
2005/0225100 A1 *	10/2005	Pendergrass	E05C 17/54 292/343

* cited by examiner

Primary Examiner — Keli L Hill

Assistant Examiner — Harold E Blackwell, II

(74) *Attorney, Agent, or Firm* — MH2 Technology Law Group, LLP

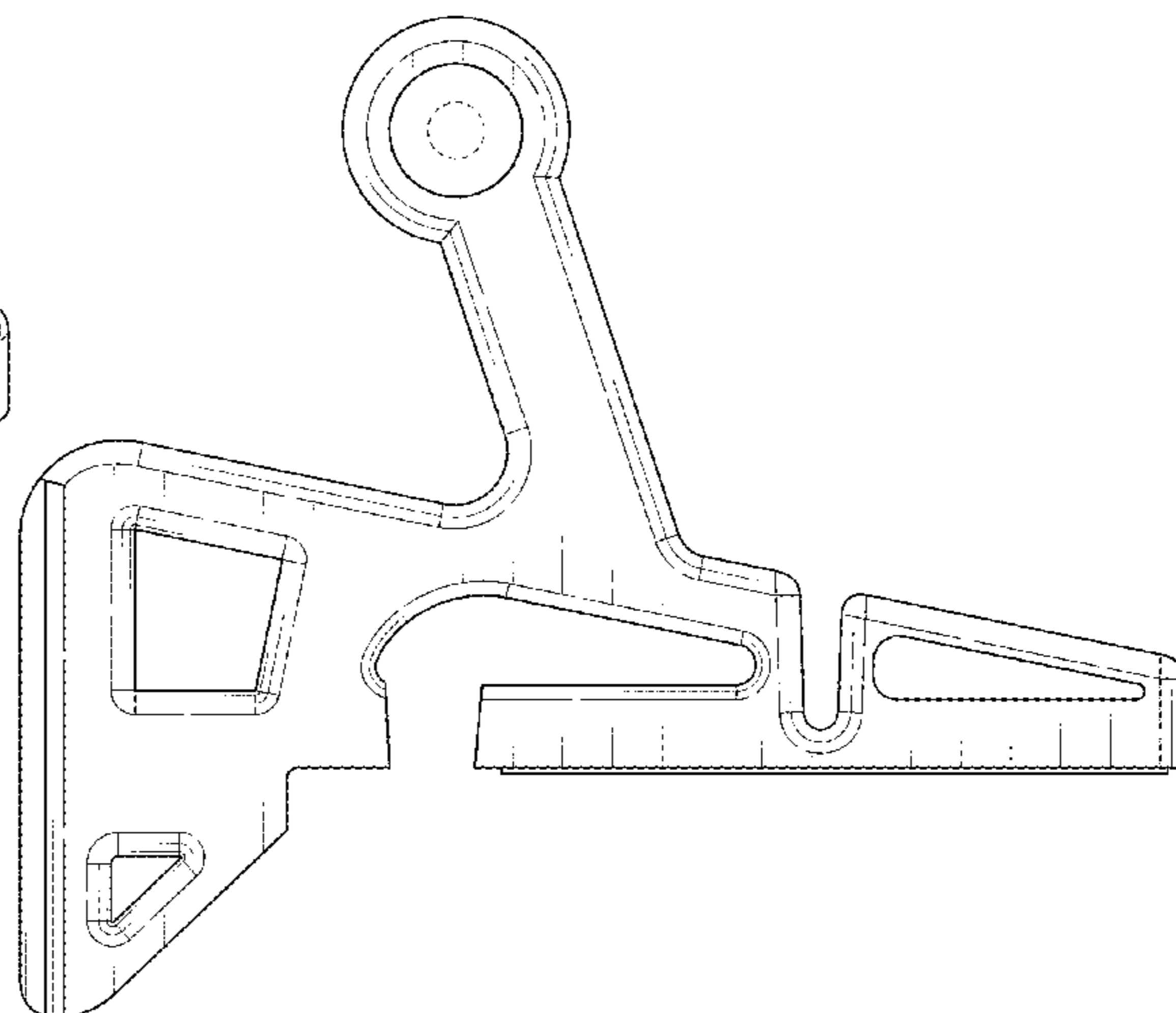
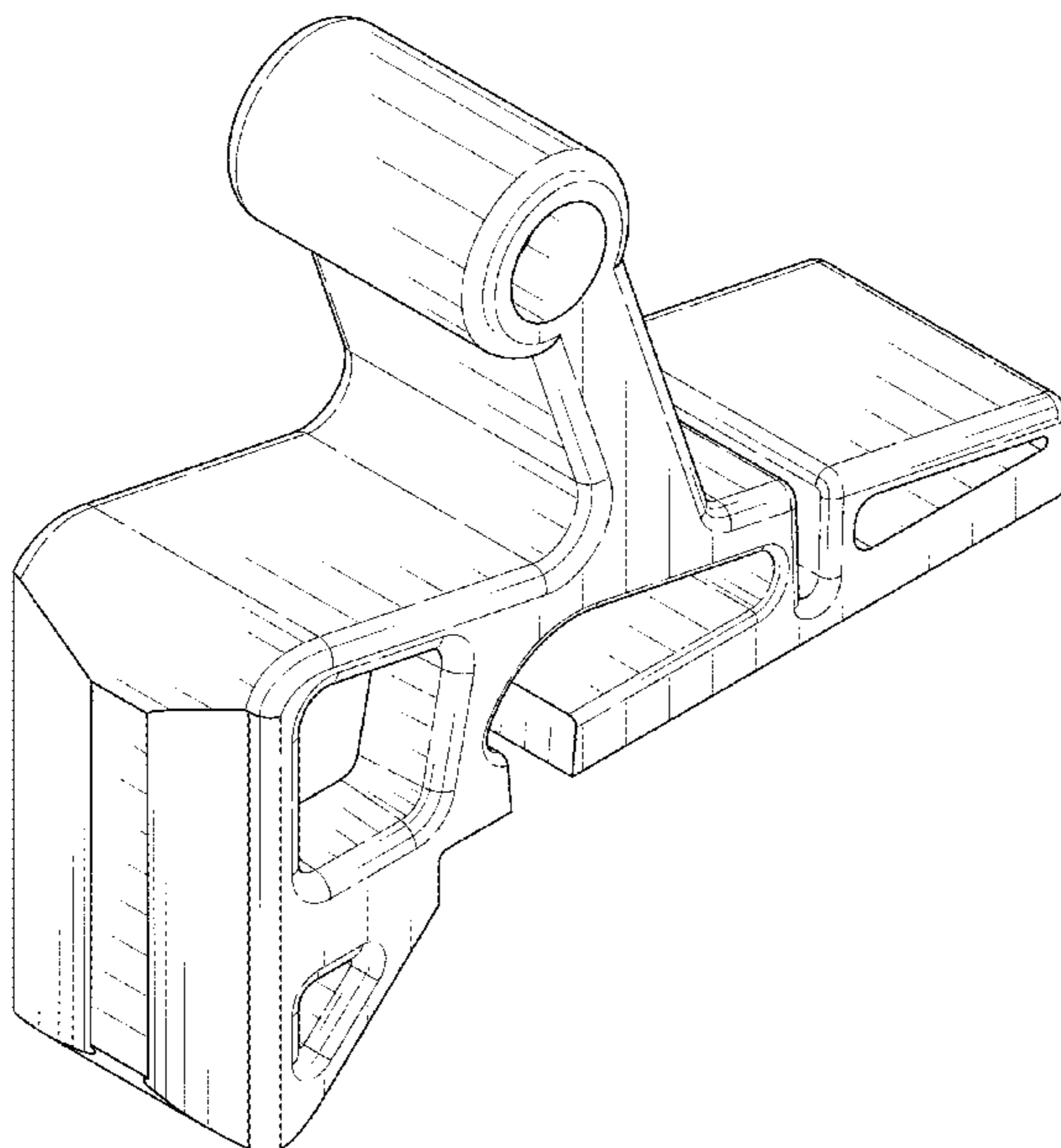
(57) **CLAIM**

The ornamental design for a door stop, as shown and described.

DESCRIPTION

FIG. 1 is a perspective view of the front, left, top aspect of the door stop according to the ornamental design; FIG. 2 is a perspective view of the rear, right, top aspect of the door stop; FIG. 3 is a front view of the door stop; FIG. 4 is a rear view of the door stop; FIG. 5 is a right side view of the door stop, with the left side of the door stop being the same as the right side view of FIG. 5, but reversed; FIG. 6 is a top view of the door stop; and, FIG. 7 is a bottom view of the door stop. The broken lines in the drawings illustrate portions of a door stop which form no part of the claimed design.

1 Claim, 5 Drawing Sheets



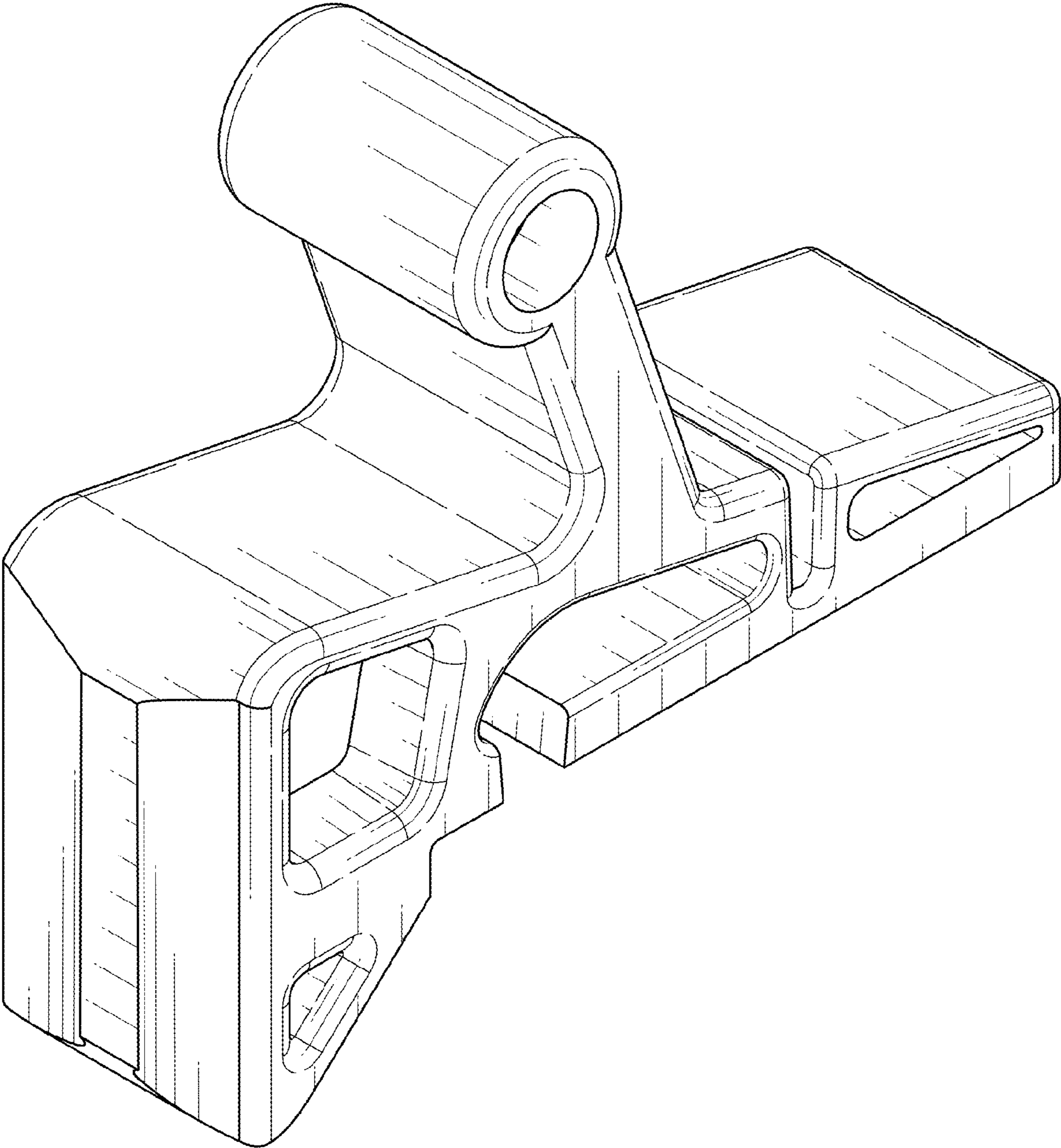


FIG. 1

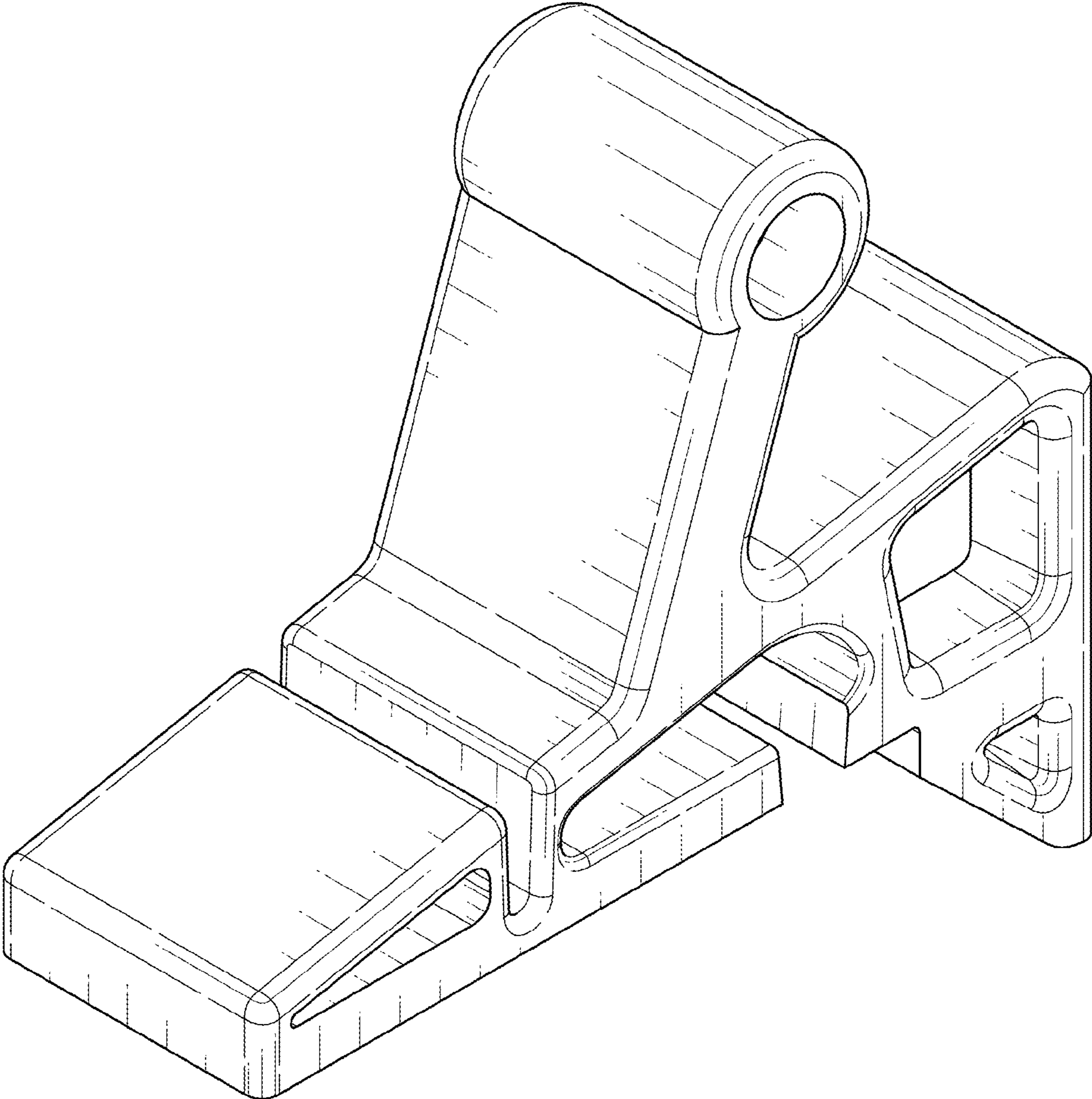


FIG. 2

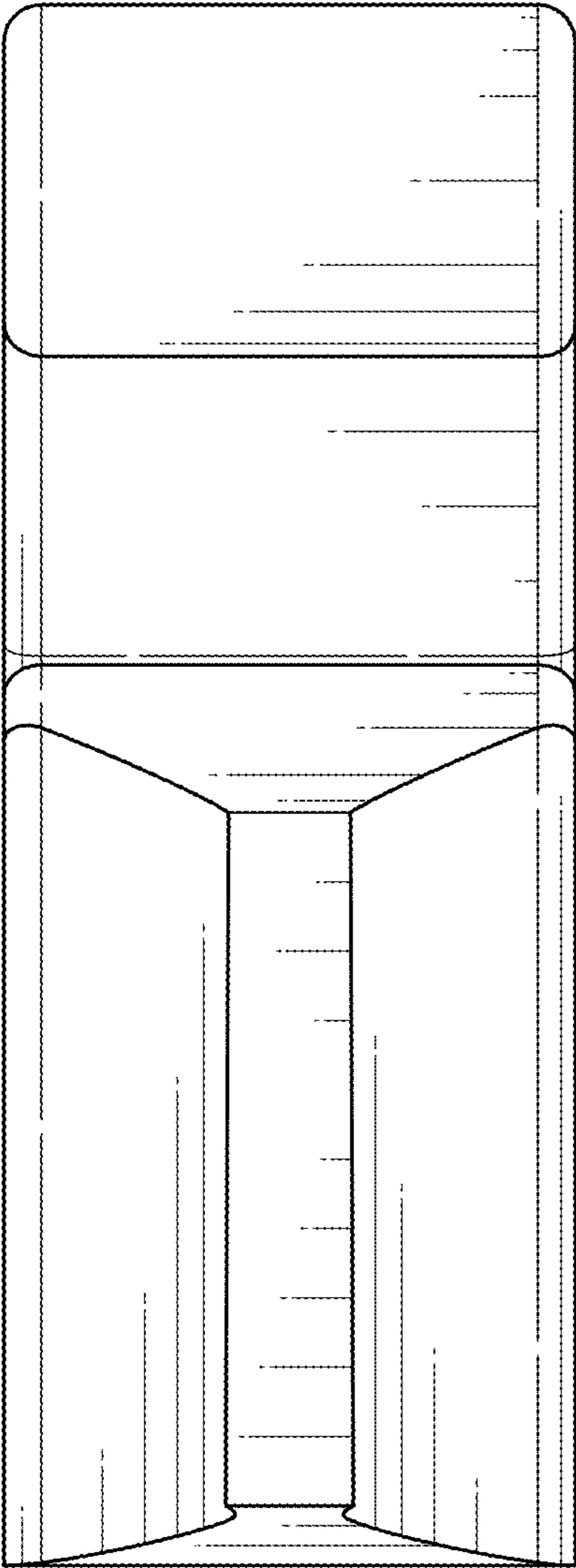


FIG. 3

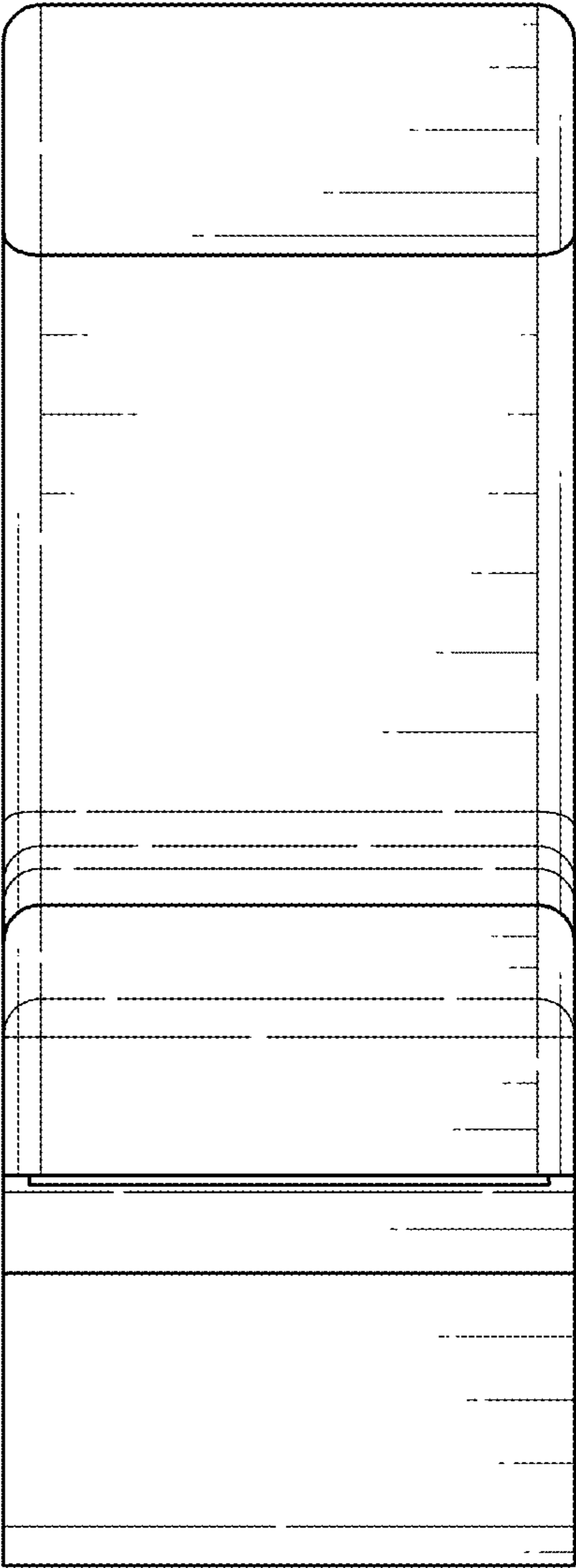


FIG. 4

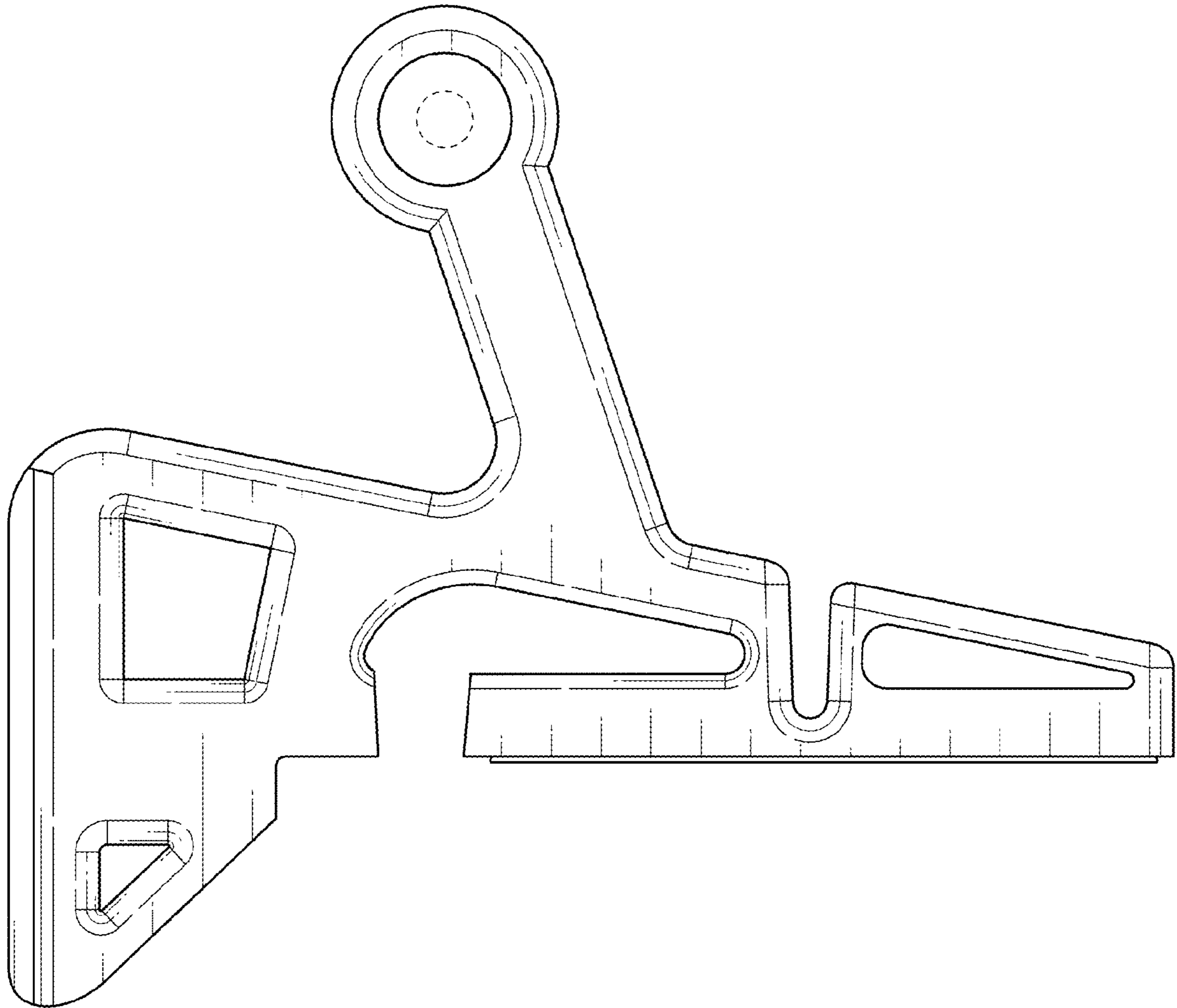


FIG. 5

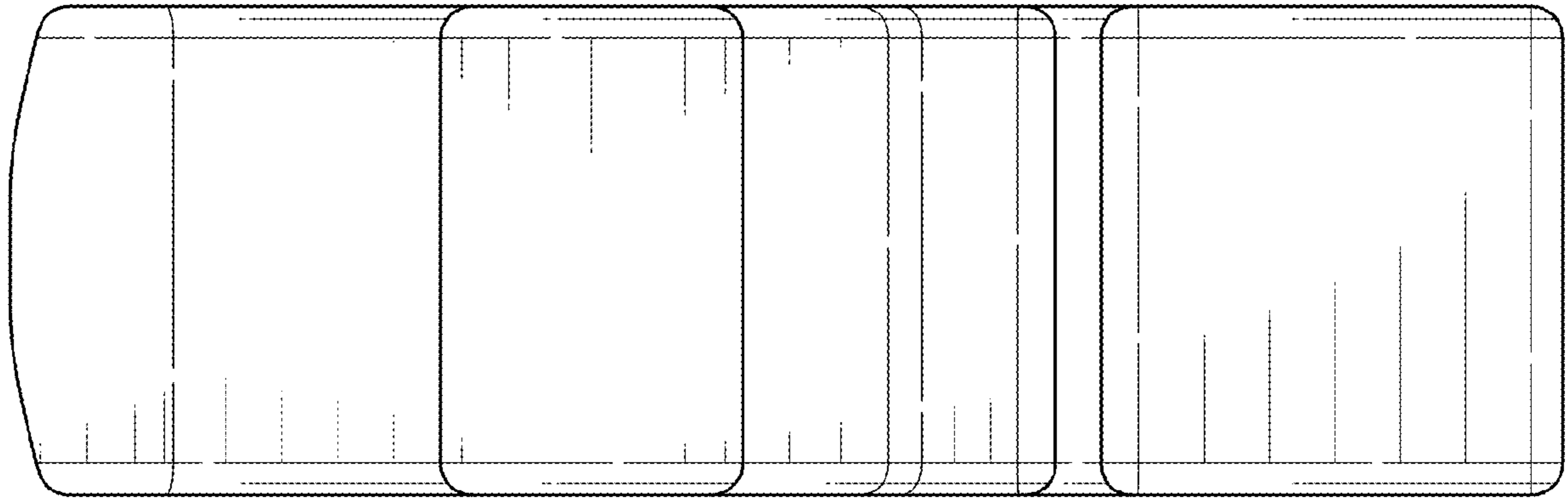


FIG. 6

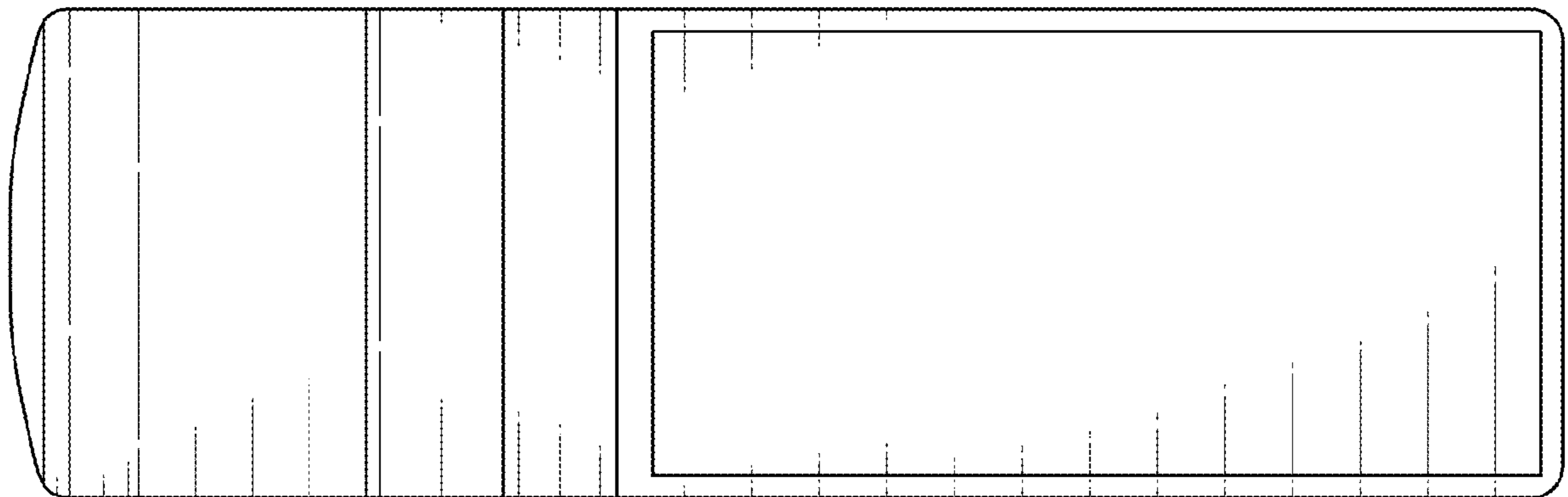


FIG. 7