



US00D924674S

(12) **United States Design Patent**  
**Mangano**

(10) **Patent No.:** **US D924,674 S**

(45) **Date of Patent:** **\*\* Jul. 13, 2021**

(54) **HANGER CLIP**

(71) Applicant: **INGENIOUS DESIGNS LLC**,  
Ronkonkoma, NY (US)

(72) Inventor: **Joy Mangano**, St. James, NY (US)

(73) Assignee: **INGENIOUS DESIGNS LLC**,  
Ronkonkoma, NY (US)

(\*\*) Term: **15 Years**

(21) Appl. No.: **29/658,614**

(22) Filed: **Aug. 1, 2018**

(51) **LOC (13) Cl.** ..... **08-08**

(52) **U.S. Cl.**  
USPC ..... **D8/395; D6/328**

(58) **Field of Classification Search**  
USPC .... D8/394-395, 71-74, 499, 354, 355, 373;  
D19/65; D6/326, 328  
CPC . D06F 55/00; A41B 3/08; A41F 15/02; F16B  
19/1081; G09F 3/14; B42F 1/006; B42F  
1/08; B42F 9/001; A47F 7/02  
See application file for complete search history.

(56) **References Cited**

**U.S. PATENT DOCUMENTS**

D204,683 S *	5/1966	Hoodis .....	D6/547
D251,345 S *	3/1979	Bigelow .....	D32/64
D277,534 S *	2/1985	Warmath .....	D32/61
D295,811 S *	5/1988	Larsson .....	D32/64
D351,519 S *	10/1994	De Marco .....	D6/513
D555,916 S *	11/2007	Mangano .....	D6/328
D621,627 S *	8/2010	Mangano .....	D6/328
8,061,569 B2 *	11/2011	Sugita .....	A47G 25/485
			223/96
D667,724 S *	9/2012	Mangano .....	D8/395

D731,055 S *	6/2015	Hyde .....	D24/143
D742,354 S *	11/2015	McNamara .....	D14/205
D788,575 S *	6/2017	Kim .....	D8/395
D799,952 S *	10/2017	Demberg .....	D8/395
D832,655 S *	11/2018	Breit .....	D7/620
D881,684 S *	4/2020	Yoshikawa .....	D8/395
D883,138 S *	5/2020	Elesmore .....	D11/215
D902,705 S *	11/2020	Kwon .....	D8/395
D909,690 S *	2/2021	Renforth .....	D30/160

\* cited by examiner

*Primary Examiner* — John Windmuller

(74) *Attorney, Agent, or Firm* — Hunton Andrews Kurth  
LLP

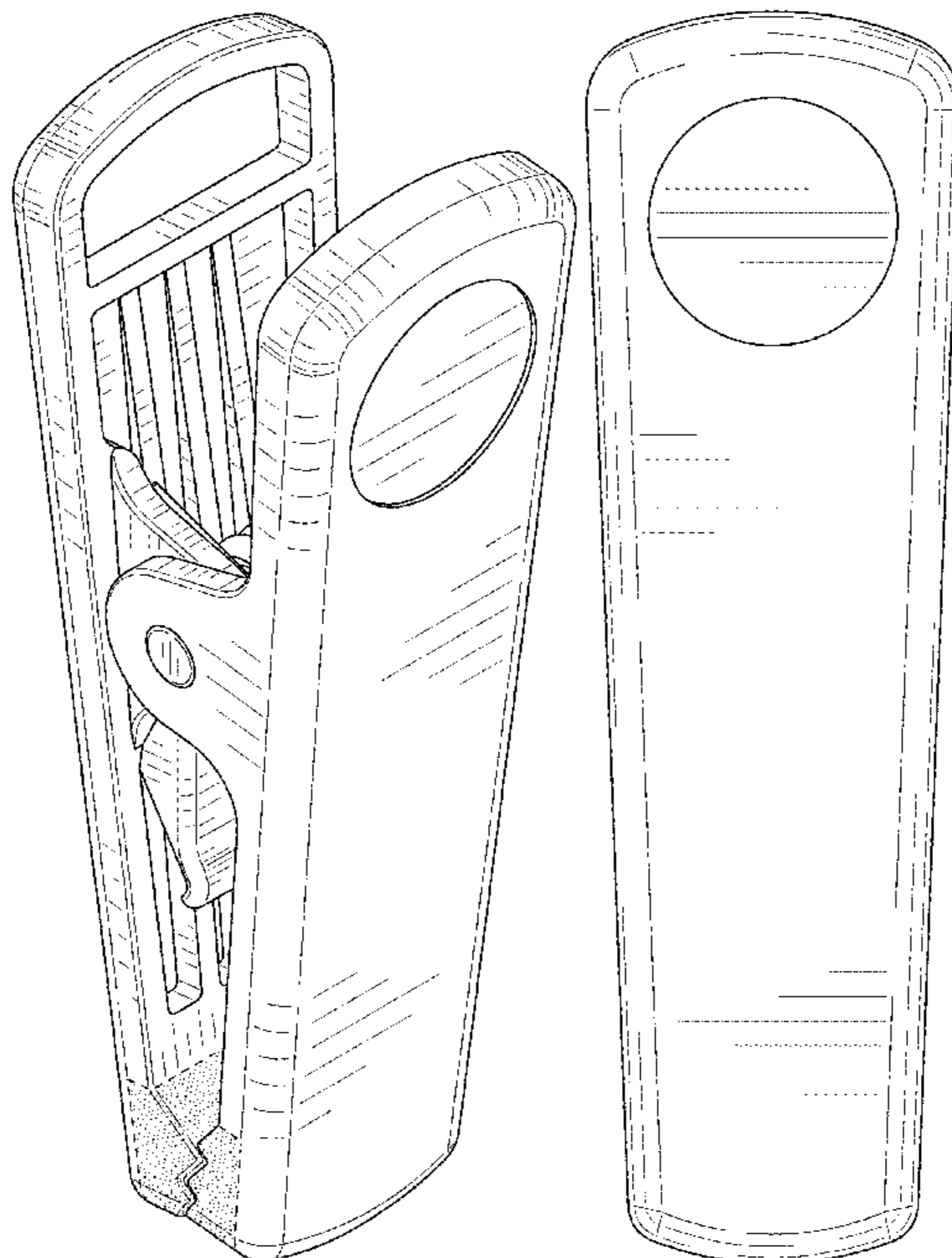
(57) **CLAIM**

The ornamental design for a hanger clip, as shown and described.

**DESCRIPTION**

FIG. 1 is a front right perspective view of a hanger clip showing my new design;  
FIG. 2 is a front elevational view of the hanger clip of FIG. 1;  
FIG. 3 is a rear elevational view of the hanger clip of FIG. 1;  
FIG. 4 is a right side view of the hanger clip of FIG. 1;  
FIG. 5 is a left side view of the hanger clip of FIG. 1;  
FIG. 6 is a top plan view of the hanger clip of FIG. 1; and,  
FIG. 7 is a bottom plan view of the hanger clip of FIG. 1.  
The contrast in shading represents a contrast in appearance only and does not represent any particular color, material, texture or finish. The broken lines in all views illustrate environmental subject matter that form no part of the claimed design.

**1 Claim, 4 Drawing Sheets**



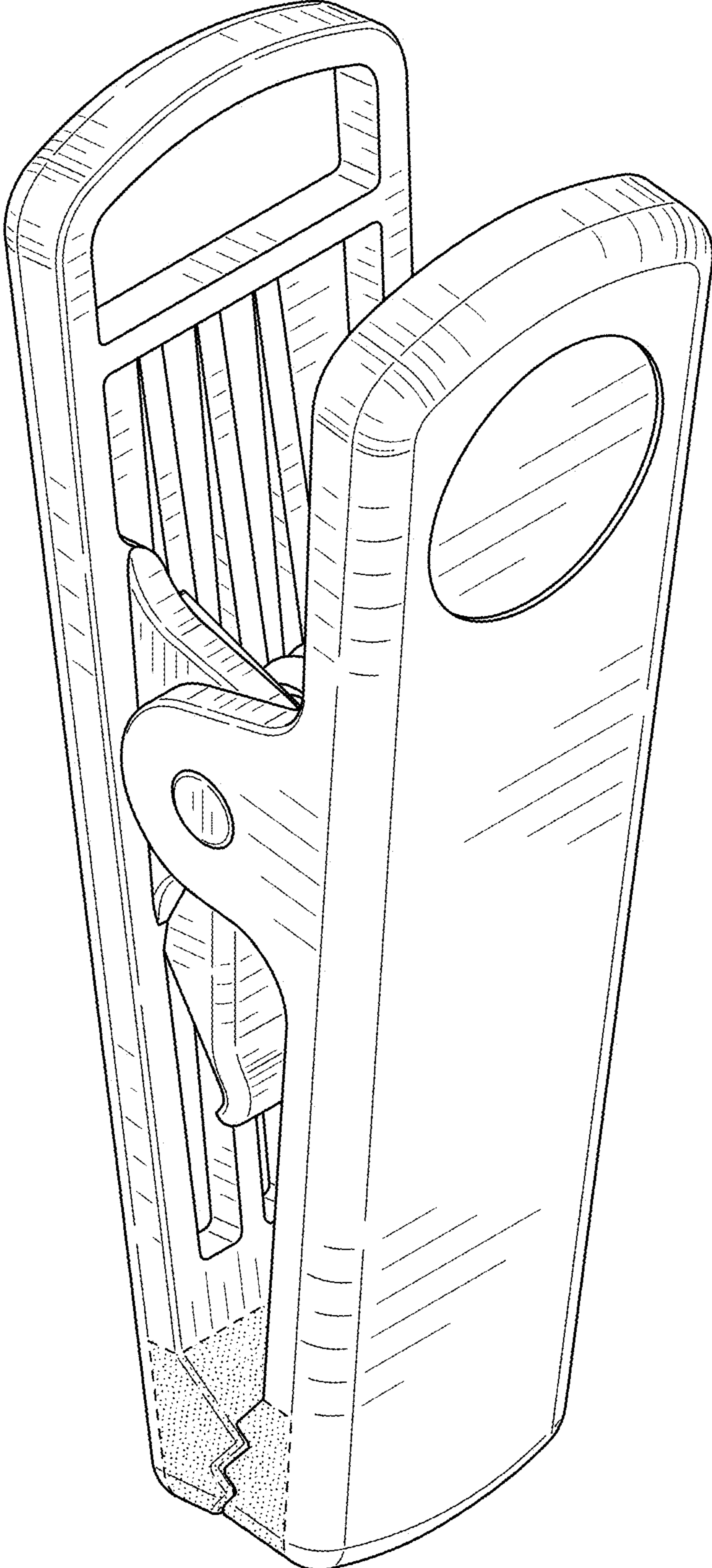


FIG. 1

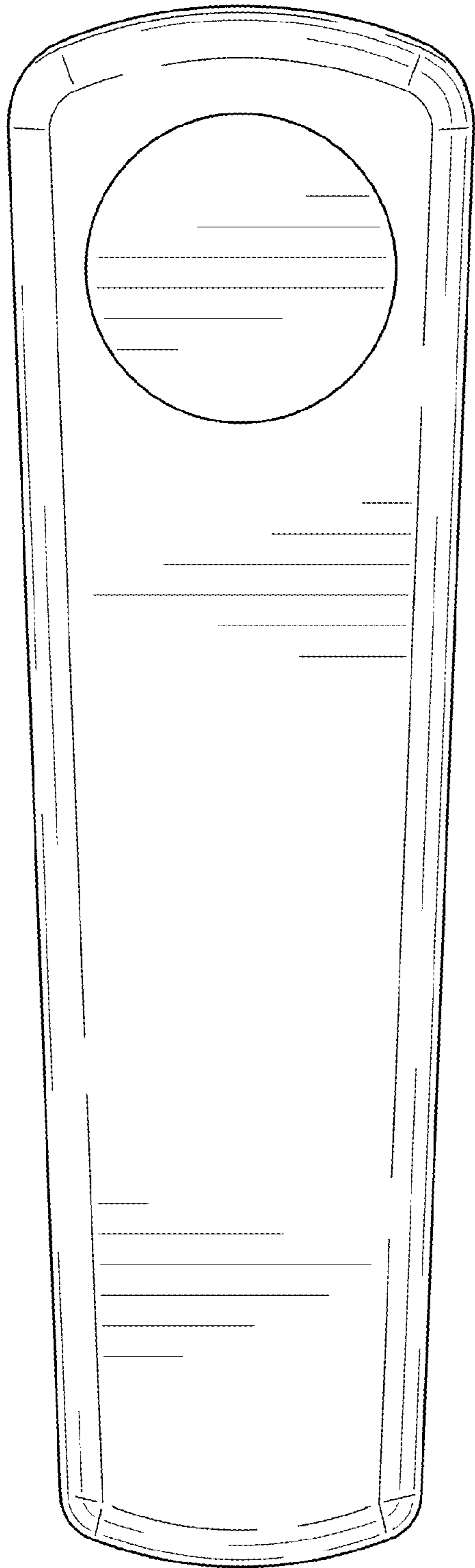


FIG. 2

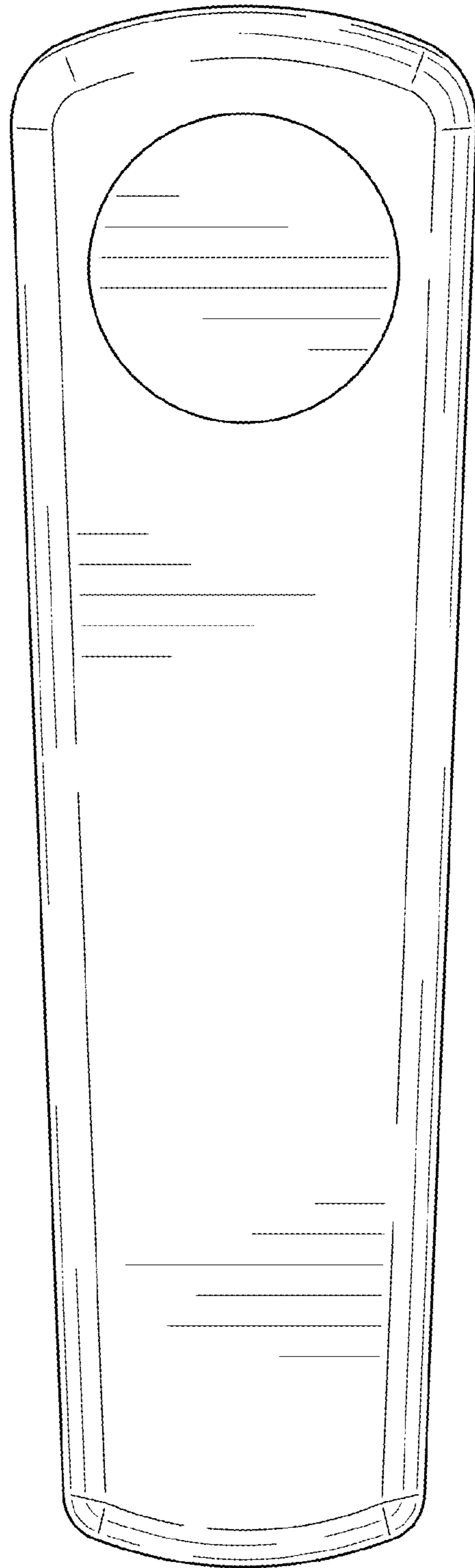


FIG. 3

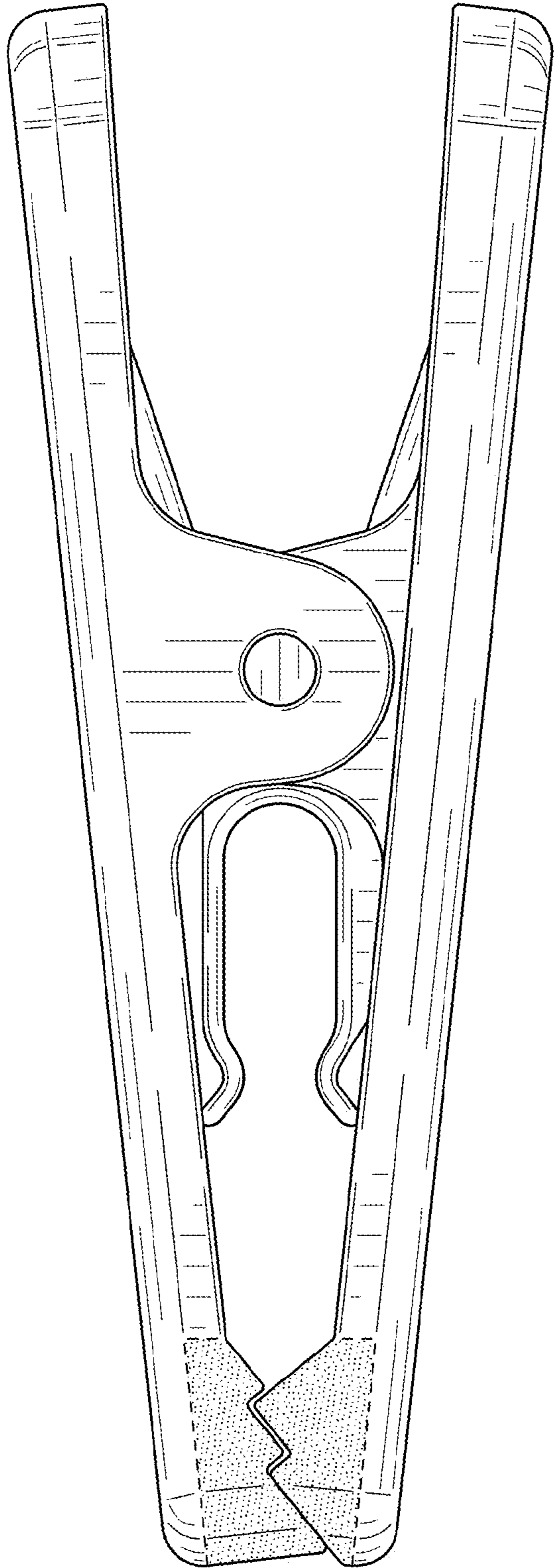


FIG. 4

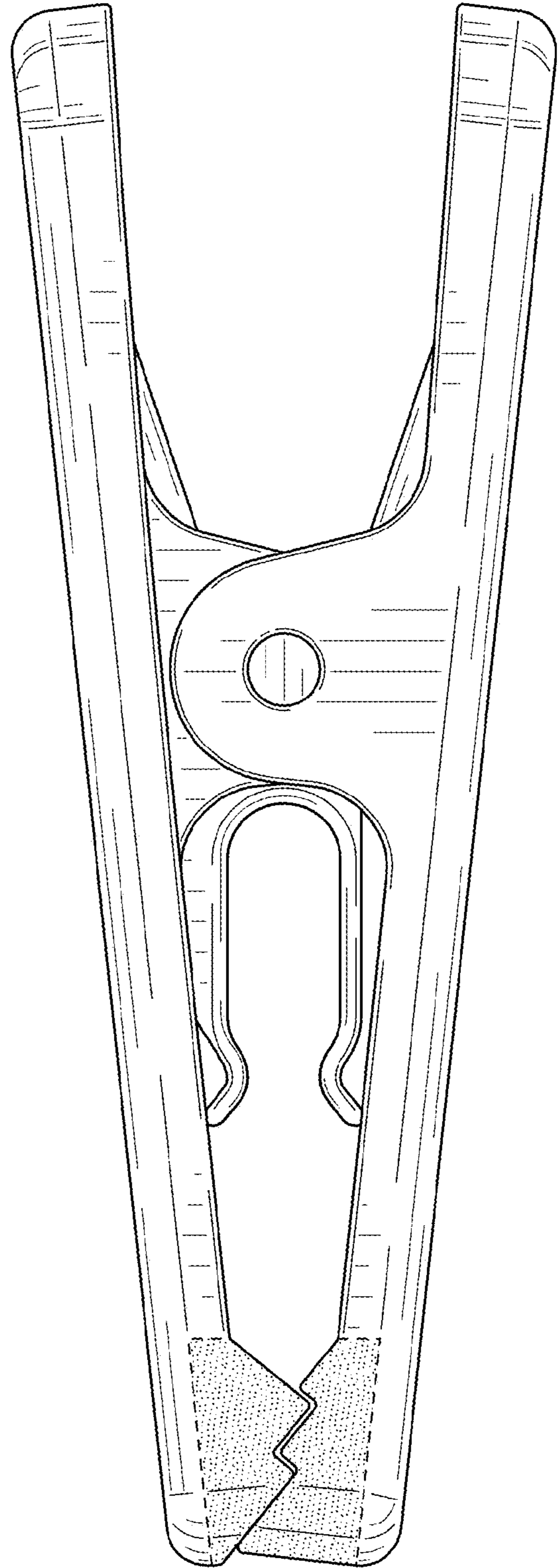


FIG. 5

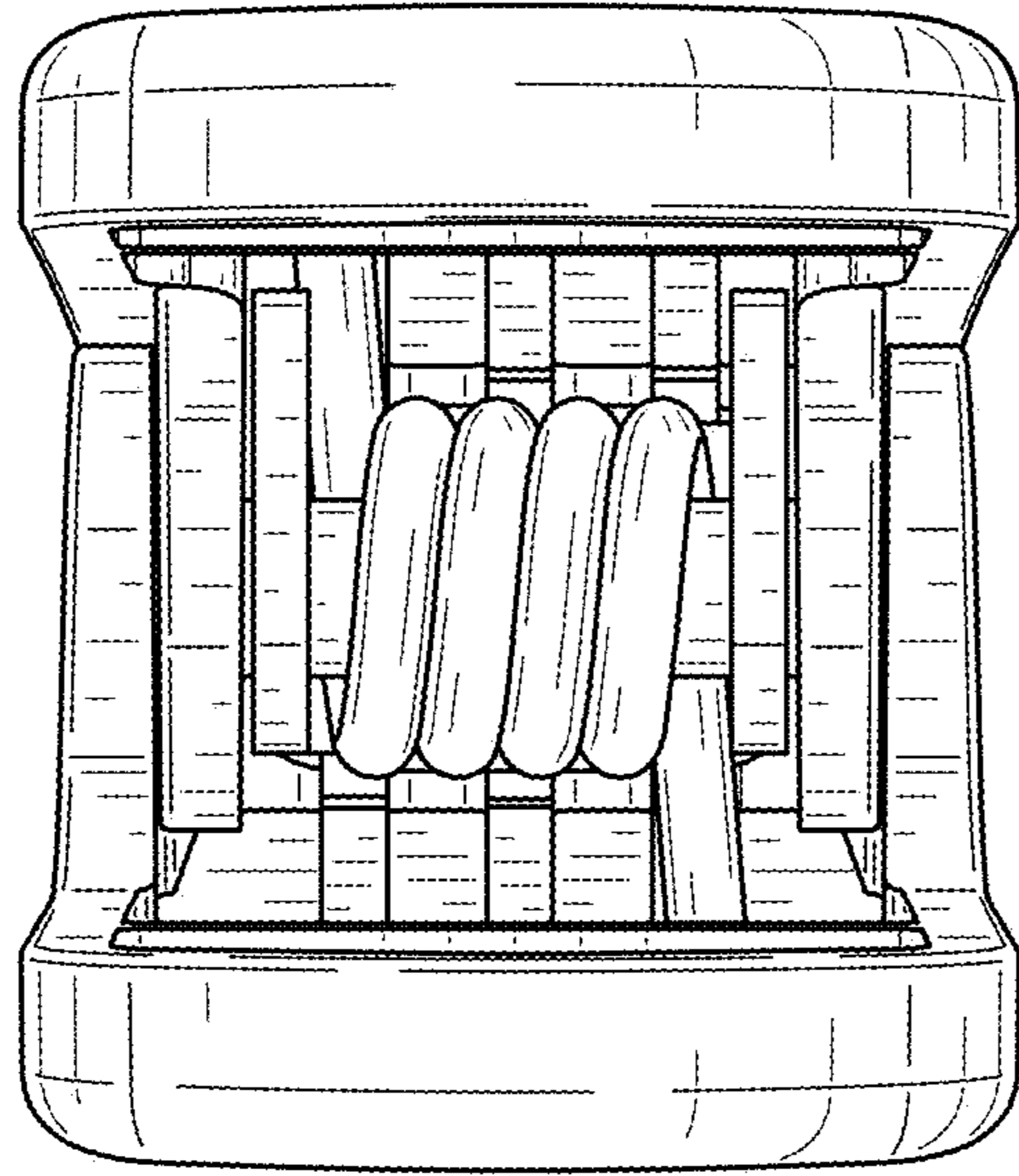


FIG. 6

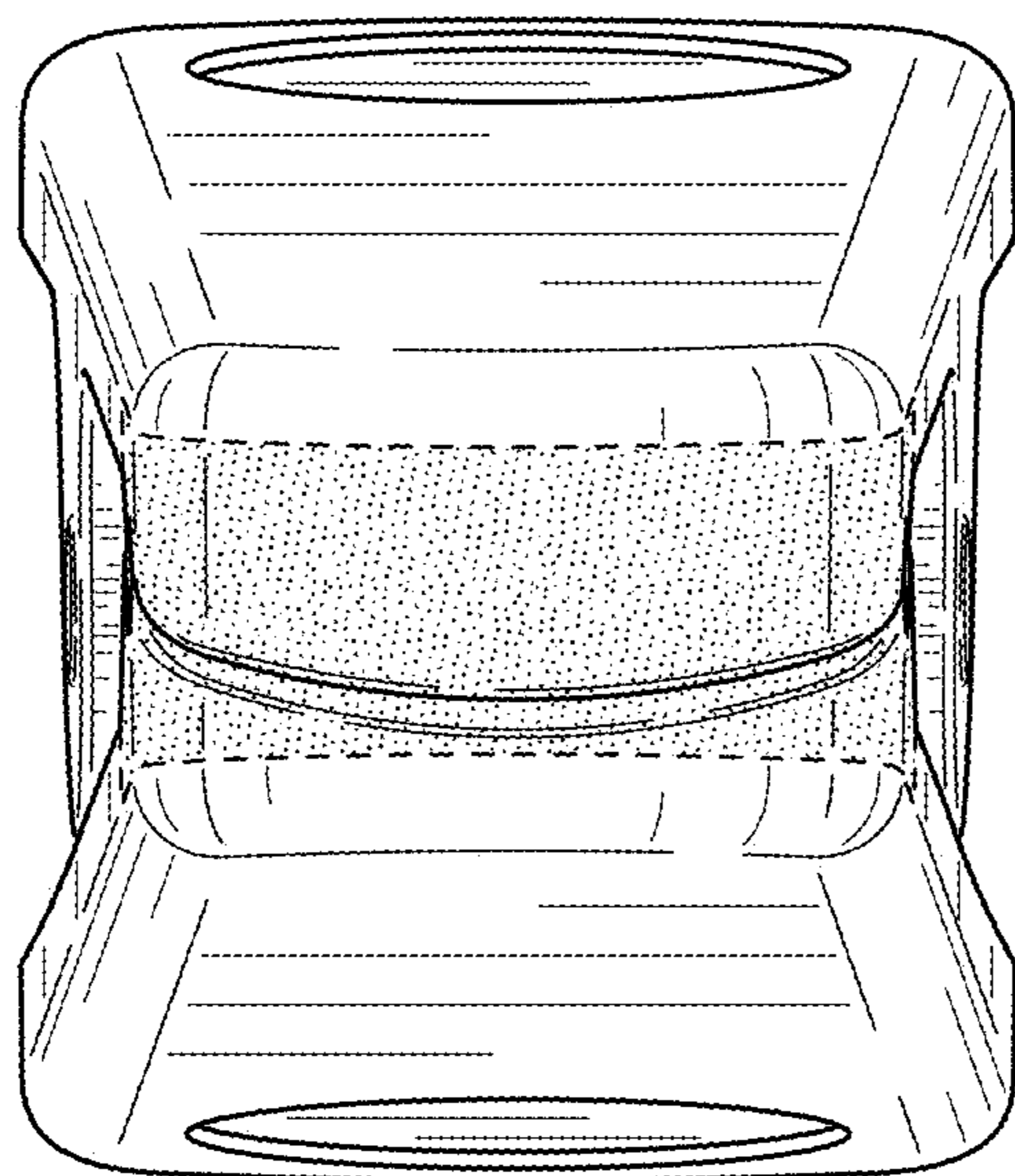


FIG. 7