



US00D924673S

(12) **United States Design Patent** (10) **Patent No.:** **US D924,673 S**
Bean (45) **Date of Patent:** **** Jul. 13, 2021**

(54) **CYLINDER BRACKET**
(71) Applicant: **Todd Bean**, Cottonwood, AZ (US)
(72) Inventor: **Todd Bean**, Cottonwood, AZ (US)
(**) Term: **15 Years**
(21) Appl. No.: **29/673,211**
(22) Filed: **Dec. 12, 2018**
(51) **LOC (13) Cl.** **08-08**
(52) **U.S. Cl.**
USPC **D8/382**
(58) **Field of Classification Search**
USPC D8/349, 354, 366, 373, 380, 381, 382,
D8/384, 396
CPC A62C 13/76; A62C 13/78; A62C 13/003;
A62C 33/04; A62C 31/28; A62B 25/00;
F17C 13/084; F17C 2201/0109; F17C
2201/032; F17C 2201/058; F17C
2205/0107; F17C 2205/0126; F17C
2205/018; F17C 2221/011
See application file for complete search history.

(56) **References Cited**
U.S. PATENT DOCUMENTS
3,753,543 A 8/1973 Burrell et al.
D267,227 S 12/1982 Ziaylek, Jr.
D281,951 S 12/1985 LaMeyer et al.
D307,494 S * 4/1990 Goodnight D29/130
D311,859 S * 11/1990 Bohringer D8/380
D317,157 S * 5/1991 Jondelius D14/253
D319,003 S 8/1991 Scharrenberg, Jr.
6,220,557 B1 * 4/2001 Ziaylek A62C 13/78
248/154
D510,015 S 9/2005 Hostetler
D557,117 S * 12/2007 Cannaverde D8/354
D558,566 S * 1/2008 Ziaylek D8/373
D610,434 S * 2/2010 Watts D8/349
D610,438 S * 2/2010 Libohova D8/373
D637,457 S * 5/2011 Thompson D7/600.1

8,668,178 B2 3/2014 Ziaylek et al.
D739,612 S * 9/2015 Kronebusch D29/130
D754,001 S * 4/2016 Barrier D7/622
D763,062 S * 8/2016 Tatem D14/239
D767,973 S * 10/2016 DeDios-Shirley D8/349
D771,476 S * 11/2016 Prince D8/373
D773,292 S * 12/2016 Ziaylek D15/28
D777,562 S * 1/2017 Ziaylek D8/373
D820,665 S * 6/2018 DeDios-Shirley D8/354
D830,812 S * 10/2018 Kanter D8/354

(Continued)

Primary Examiner — Sandra Snapp
Assistant Examiner — Ieisha N Price
(74) *Attorney, Agent, or Firm* — Invention To Patent
Services; Alex Hobson

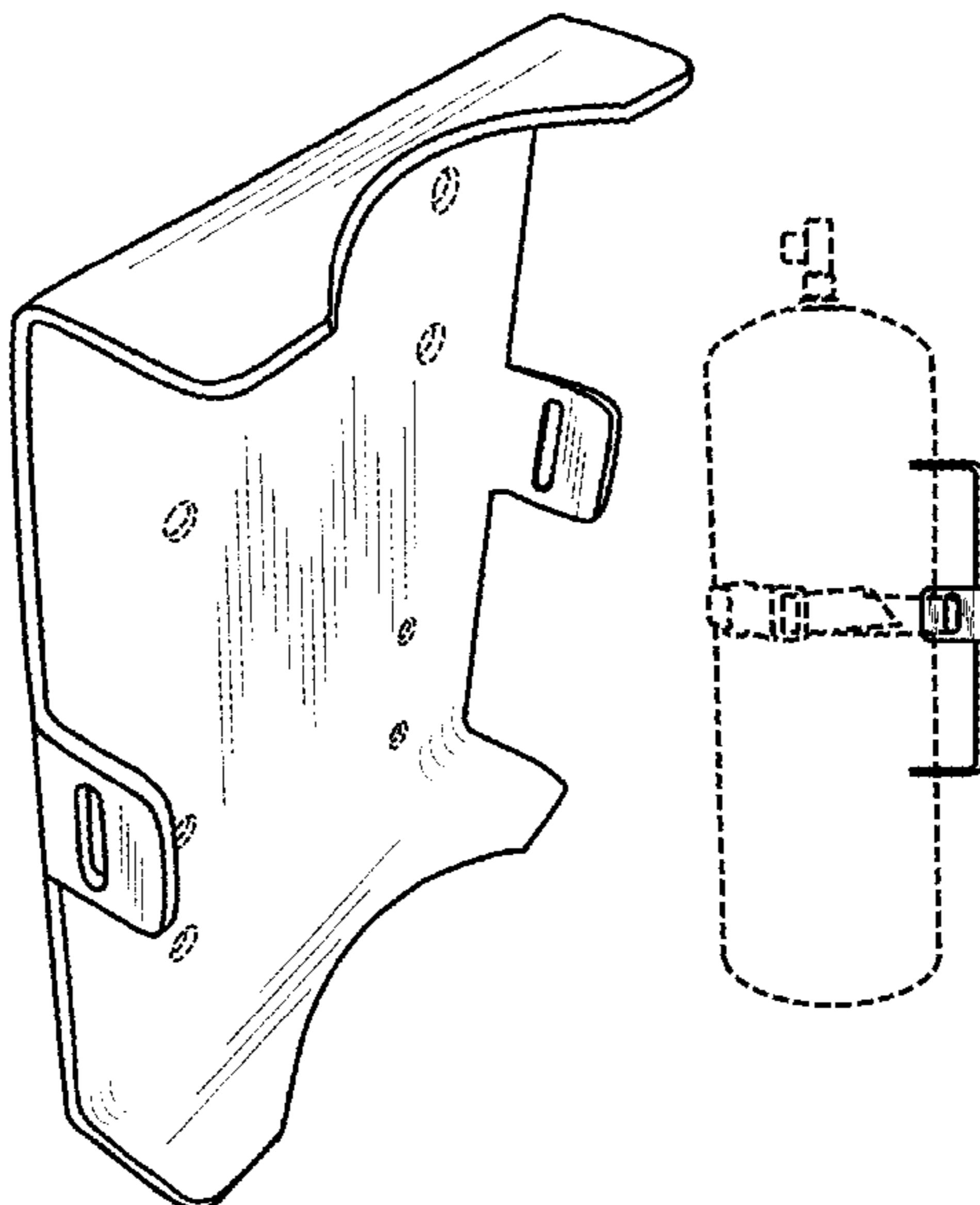
(57) **CLAIM**

The ornamental design for a cylinder bracket, as shown and described.

DESCRIPTION

FIG. 1 is a perspective view of the cylinder bracket;
FIG. 2 is a top view of the cylinder bracket;
FIG. 3 is a perspective view of the cylinder bracket;
FIG. 4 is a bottom view of the cylinder bracket;
FIG. 5 is left view of the cylinder bracket;
FIG. 6 is a back view of the cylinder bracket;
FIG. 7 is a right view of the cylinder bracket;
FIG. 8 is an environmental perspective view of the cylinder
bracket with a strap coupled thereto;
FIG. 9 is an environmental front perspective view of the
cylinder bracket with a strap coupled thereto; and,
FIG. 10 is an environmental perspective view of a cylinder
retained by a strap extending around the cylinder and
secured to the cylinder bracket.
The mounting apertures shown in FIGS. 1, 3, 6, 8, 9, and 10,
the bolts shown in FIG. 10, the strap shown in FIGS. 8, 9 and
10, and the cylinder shown in FIG. 10 are shown in dashed
lines and form no part of the claimed design.

1 Claim, 6 Drawing Sheets



(56)

References Cited

U.S. PATENT DOCUMENTS

D849,507 S * 5/2019 DeDios-Shirley D8/349
D850,892 S * 6/2019 Lin D8/373
D863,040 S * 10/2019 DeDios-Shirley D8/354
2014/0076316 A1* 3/2014 Unger A62B 25/005
128/204.15
2020/0032960 A1* 1/2020 Drott A61M 16/1005

* cited by examiner

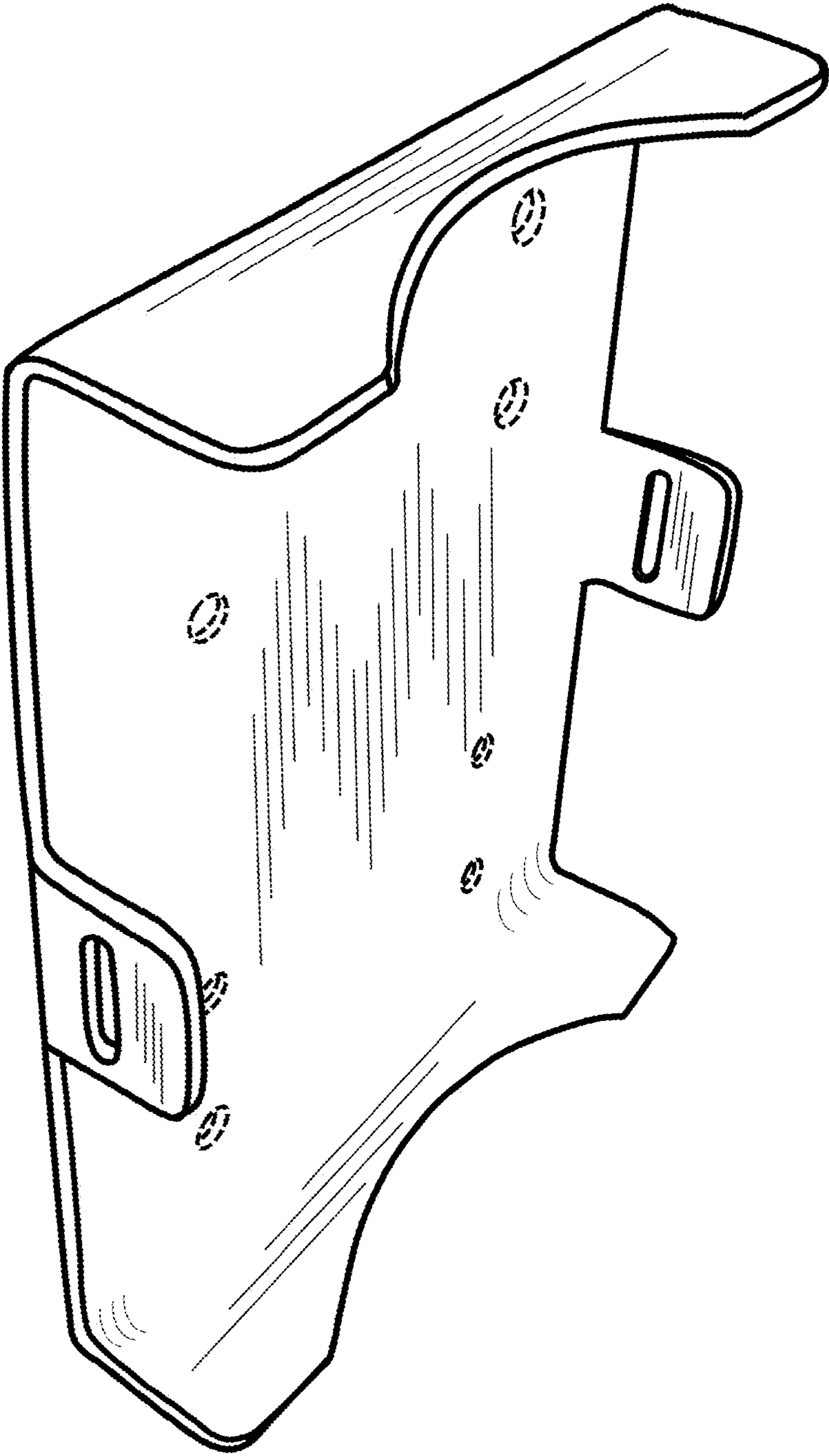


FIG. 1

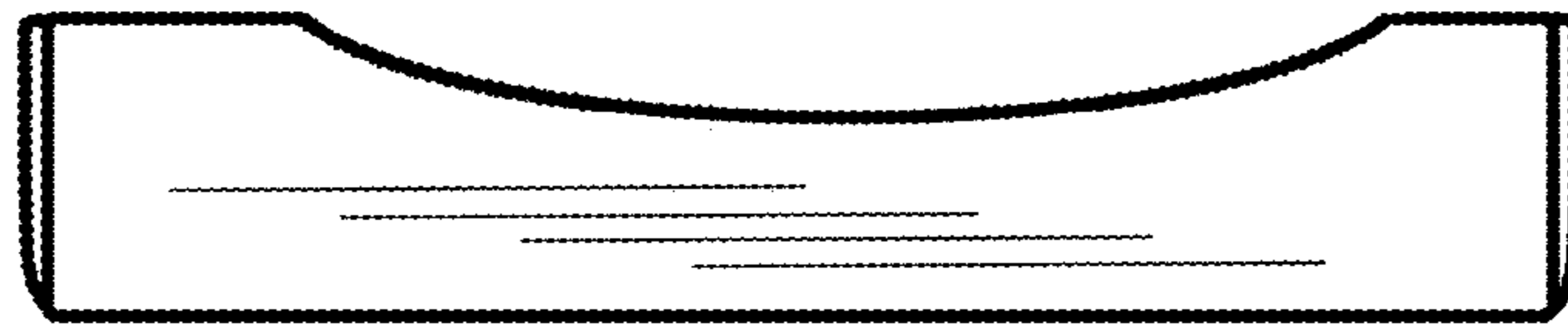


FIG. 2

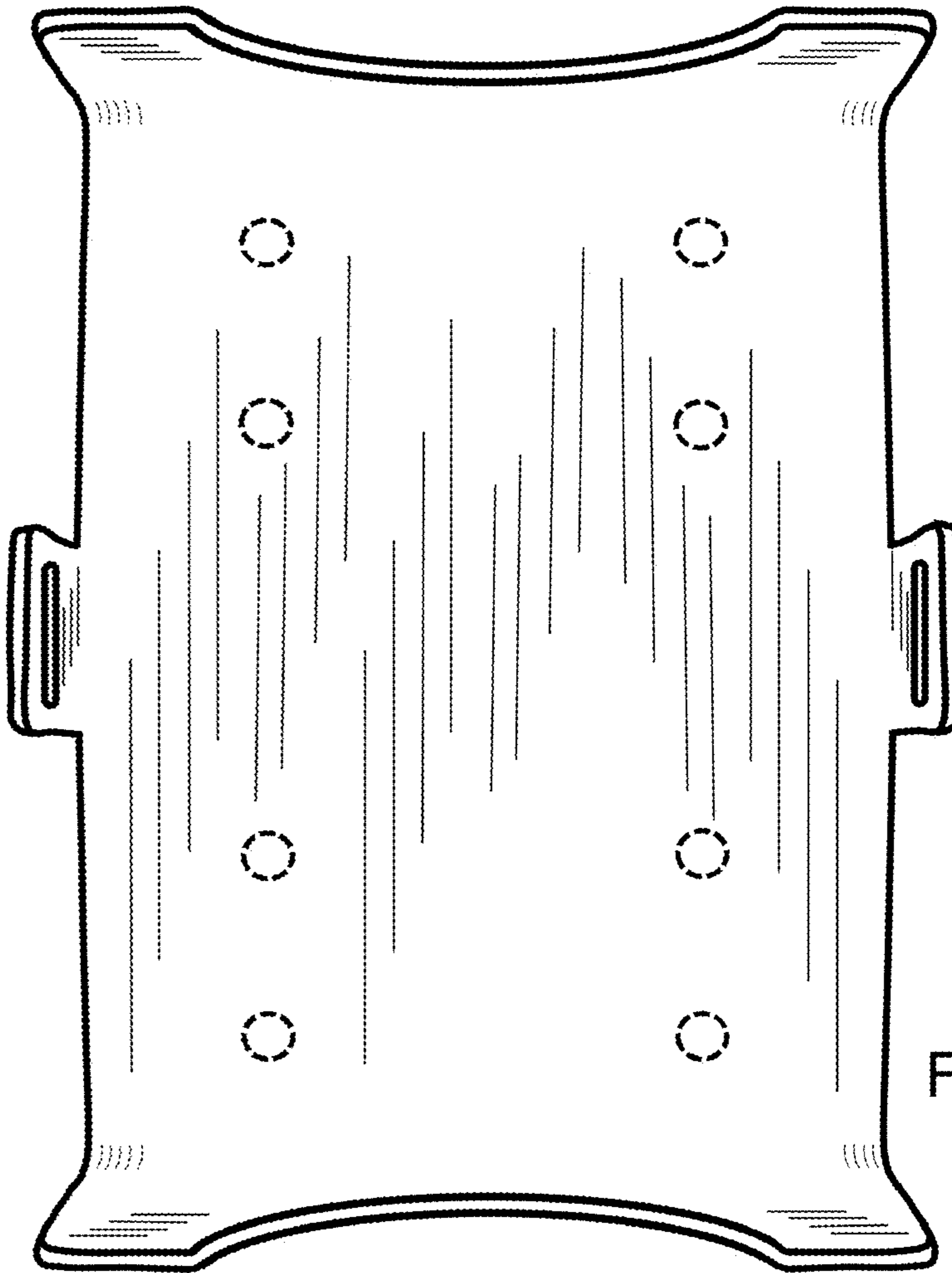


FIG. 3

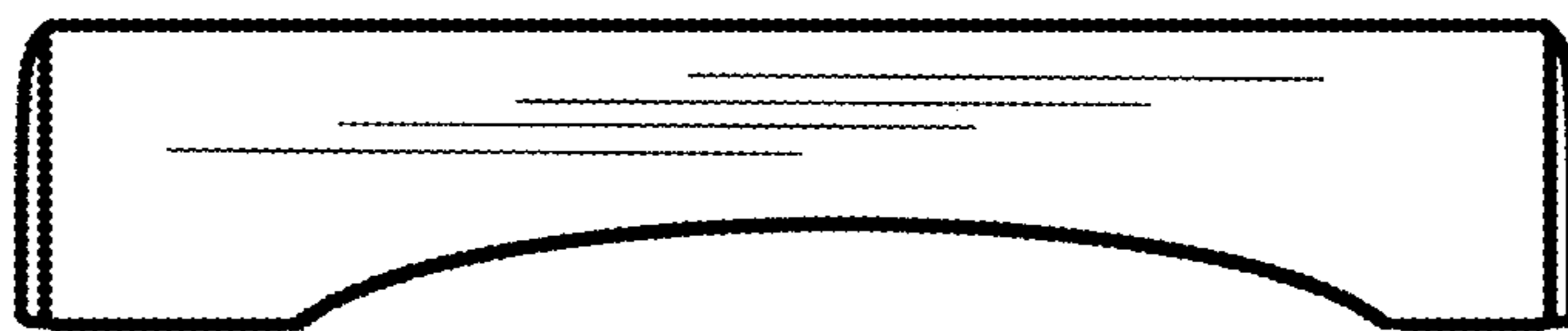


FIG. 4

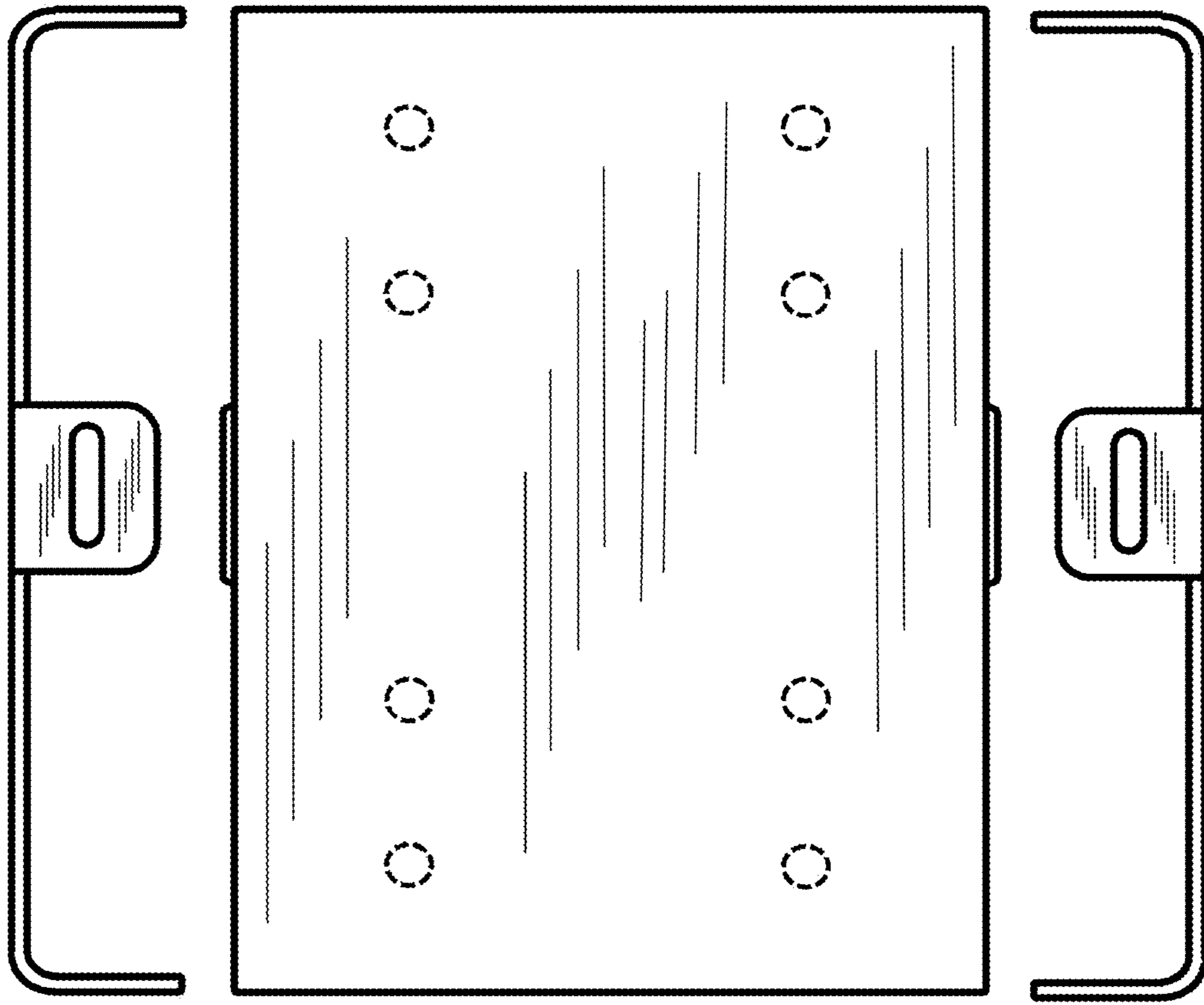


FIG. 5

FIG. 6

FIG. 7

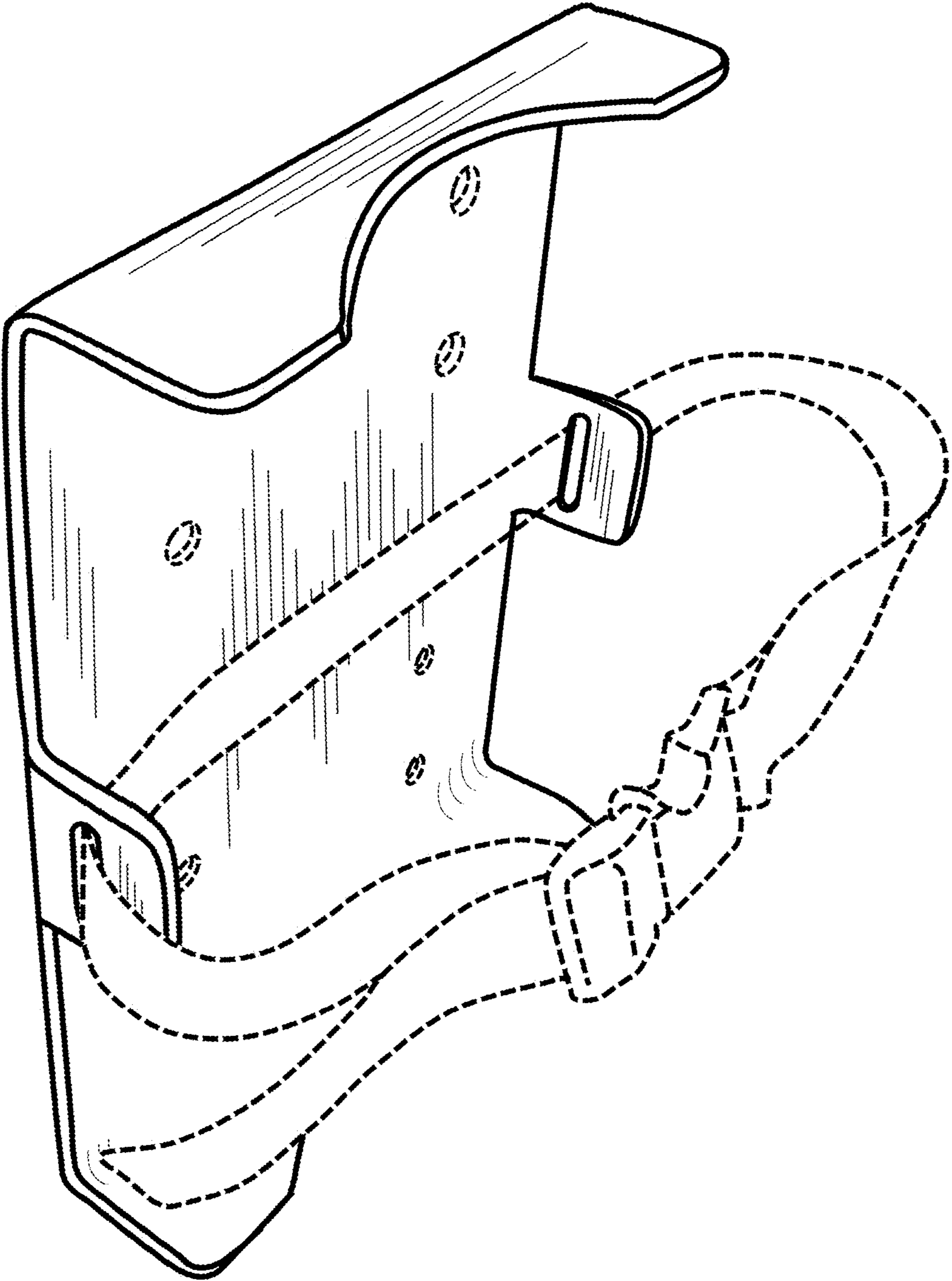


FIG. 8

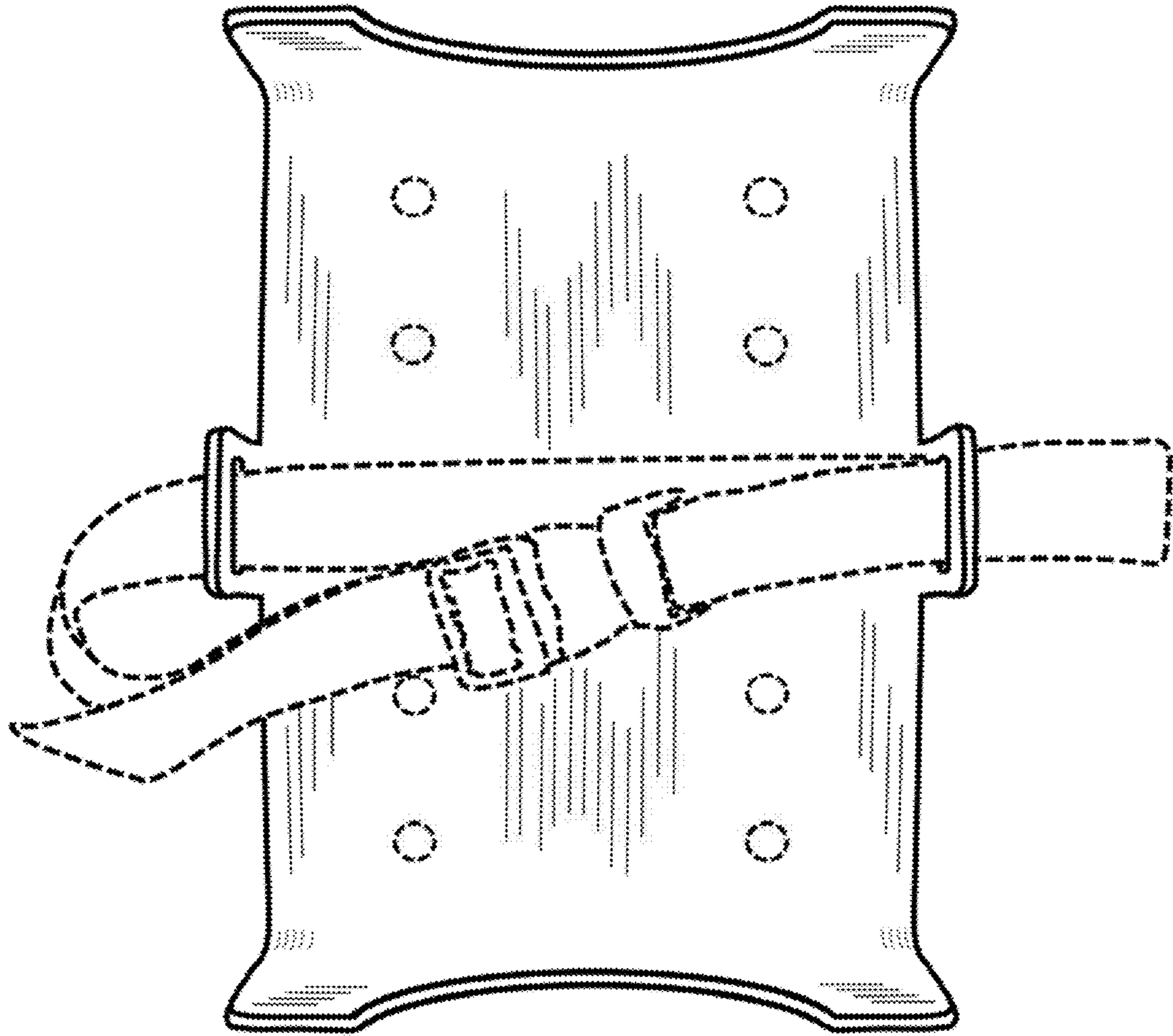


FIG. 9

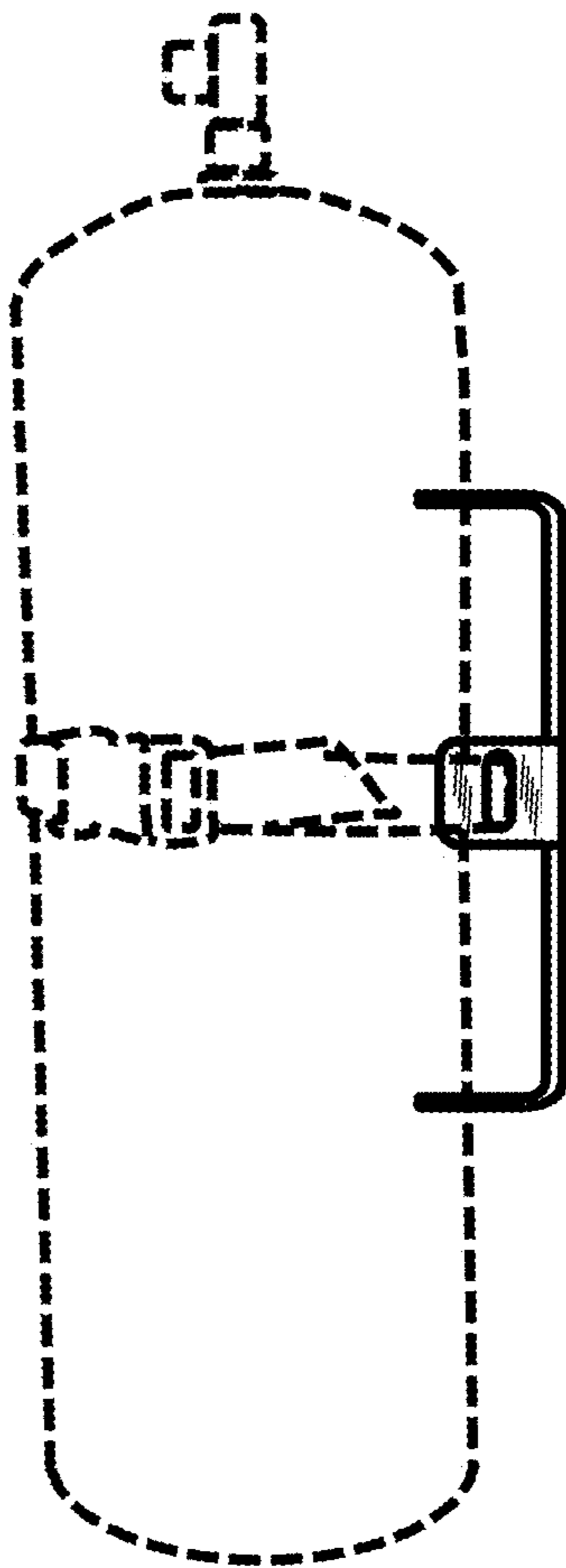


FIG. 10