



US00D924670S

(12) **United States Design Patent**  
**Wilder et al.**

(10) **Patent No.:** **US D924,670 S**

(45) **Date of Patent:** **\*\* Jul. 13, 2021**

(54) **OUTRIGGER PULLEY**

D869,937 S \* 12/2019 Walker ..... B60R 16/0222  
D8/356

(71) Applicant: **GEM Products, Inc.**, Jacksonville, FL  
(US)

10,544,822 B2 \* 1/2020 Bailey ..... B60C 27/10  
D882,938 S \* 5/2020 Luo ..... D2/978

(72) Inventors: **Benjamin Adam Wilder**, Jacksonville,  
FL (US); **Matthew Stewart Onorato**,  
Jacksonville, FL (US); **William**  
**Ashford Gravely**, Washington, NC  
(US)

\* cited by examiner

*Primary Examiner* — Cynthia R Underwood

(74) *Attorney, Agent, or Firm* — Seyfarth Shaw LLP

(73) Assignee: **GEM Products, Inc.**, Jacksonville, FL  
(US)

(57) **CLAIM**

The ornamental design for an outrigger pulley, as shown and described.

(\*\*) Term: **15 Years**

(21) Appl. No.: **29/723,699**

(22) Filed: **Feb. 10, 2020**

(51) **LOC (13) Cl.** ..... **08-05**

(52) **U.S. Cl.**  
USPC ..... **D8/360**

(58) **Field of Classification Search**  
USPC ..... D8/360, 356, 354, 349  
CPC ..... A63B 29/00; A63B 27/00  
See application file for complete search history.

**DESCRIPTION**

FIG. 1 is a first perspective view of an outrigger pulley;  
FIG. 2 is a second perspective view of the outrigger pulley;  
FIG. 3 is a third perspective view of the outrigger pulley;  
FIG. 4 is a fourth perspective view of the outrigger pulley;  
FIG. 5 is a fifth perspective view of the outrigger pulley;  
FIG. 6 is a sixth perspective view of the outrigger pulley;  
FIG. 7 is a seventh perspective view of the outrigger pulley;  
FIG. 8 is an eighth perspective view of the outrigger pulley;  
FIG. 9 is a front view of the outrigger pulley;  
FIG. 10 is a first side view of the outrigger pulley;  
FIG. 11 is a rear view of the outrigger pulley;  
FIG. 12 is a second side view of the outrigger pulley;  
FIG. 13 is a top view of the outrigger pulley; and,  
FIG. 14 is a bottom view of the outrigger pulley.

Any components in the appended drawings shown in broken lines are for illustrative purposes only and form no part of the claimed design.

(56) **References Cited**

**U.S. PATENT DOCUMENTS**

D425,682 S \* 5/2000 Wang ..... D34/28  
D794,725 S \* 8/2017 Lamothe ..... D21/679  
D834,402 S \* 11/2018 Bailey ..... D8/356  
10,333,378 B2 \* 6/2019 Lerner ..... A62B 1/08  
D862,205 S \* 10/2019 Bailey ..... D8/356  
10,471,971 B2 \* 11/2019 Richardson ..... A63G 21/20

**1 Claim, 14 Drawing Sheets**

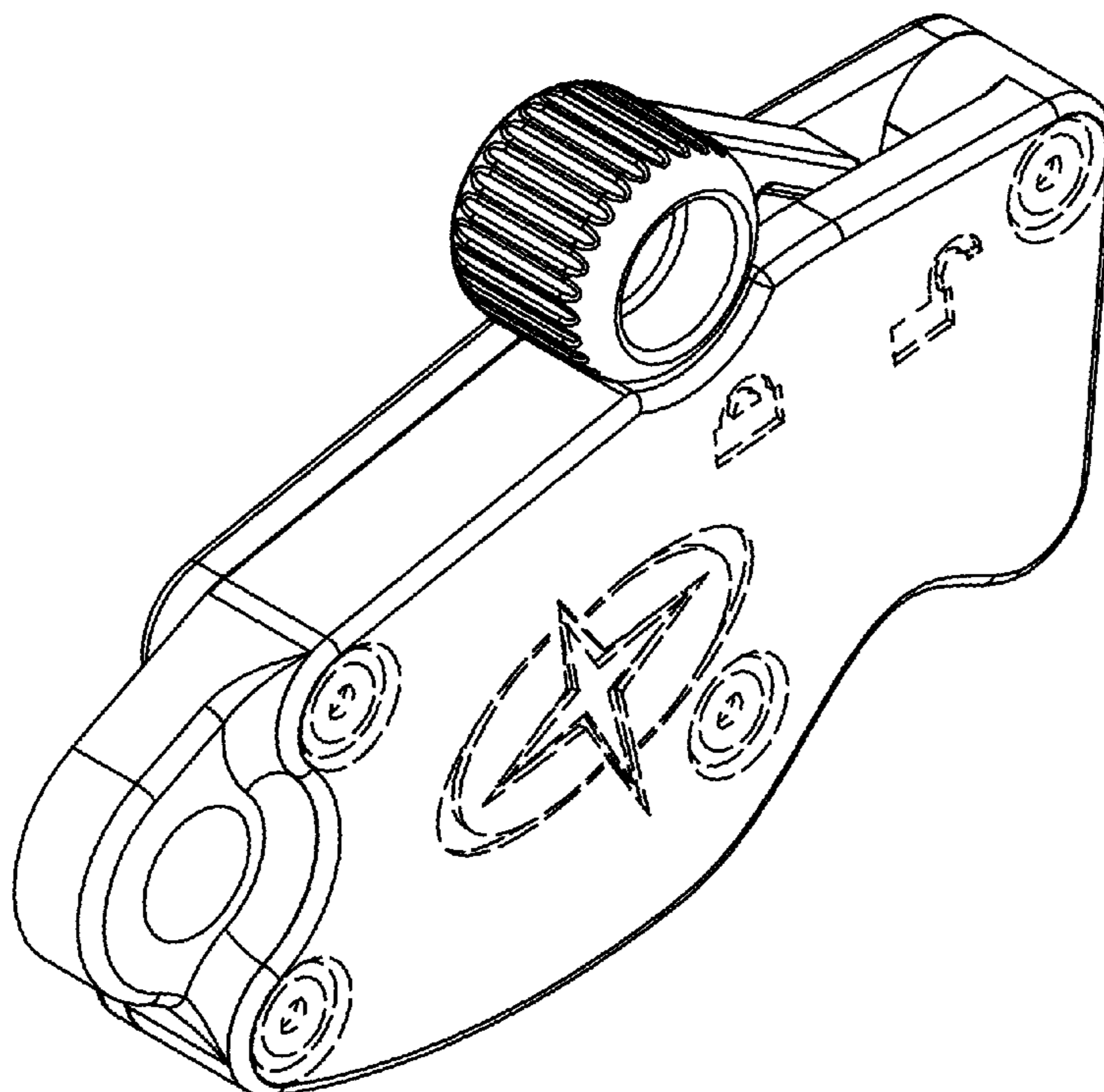


FIG. 1

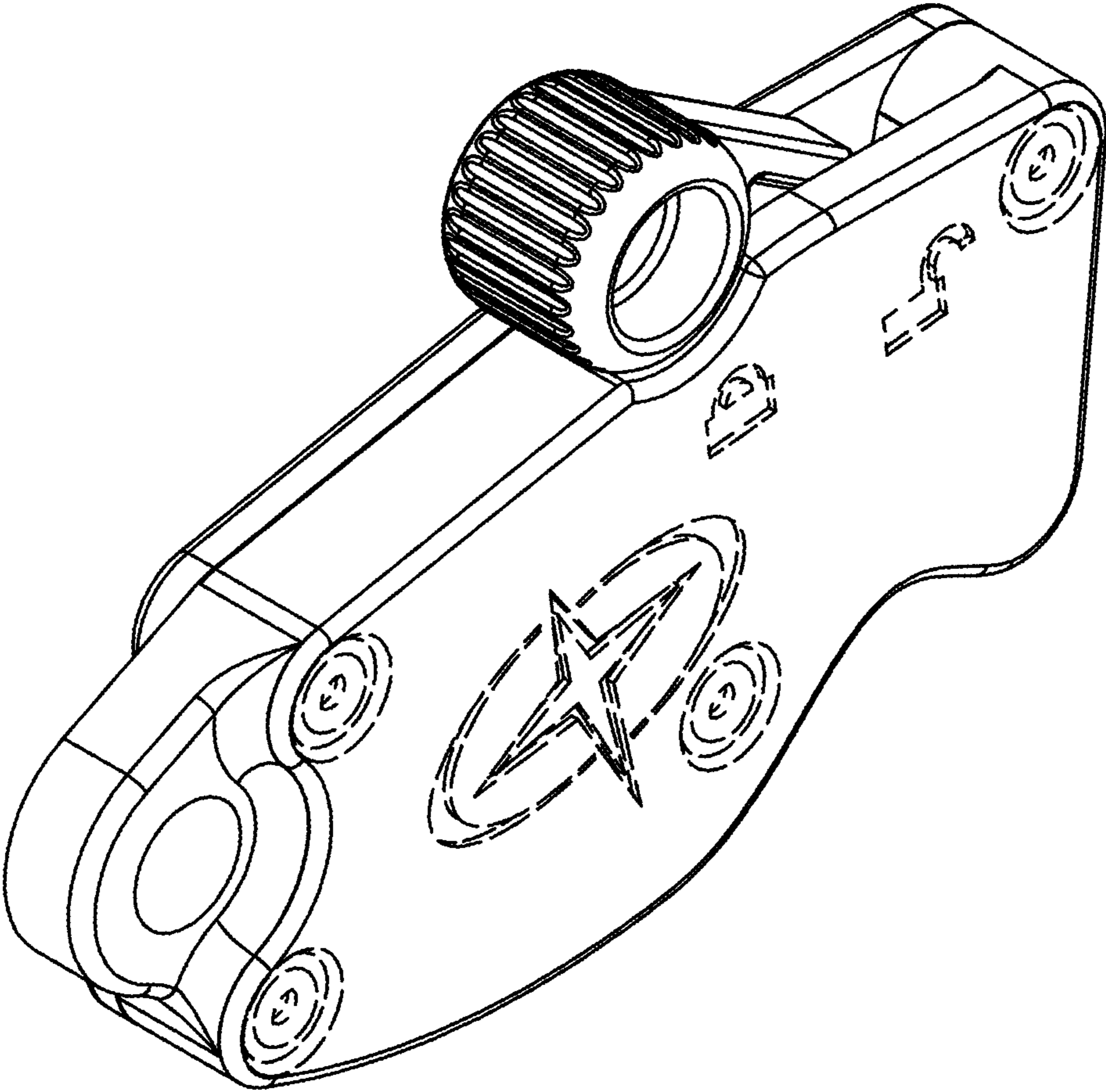


FIG. 2

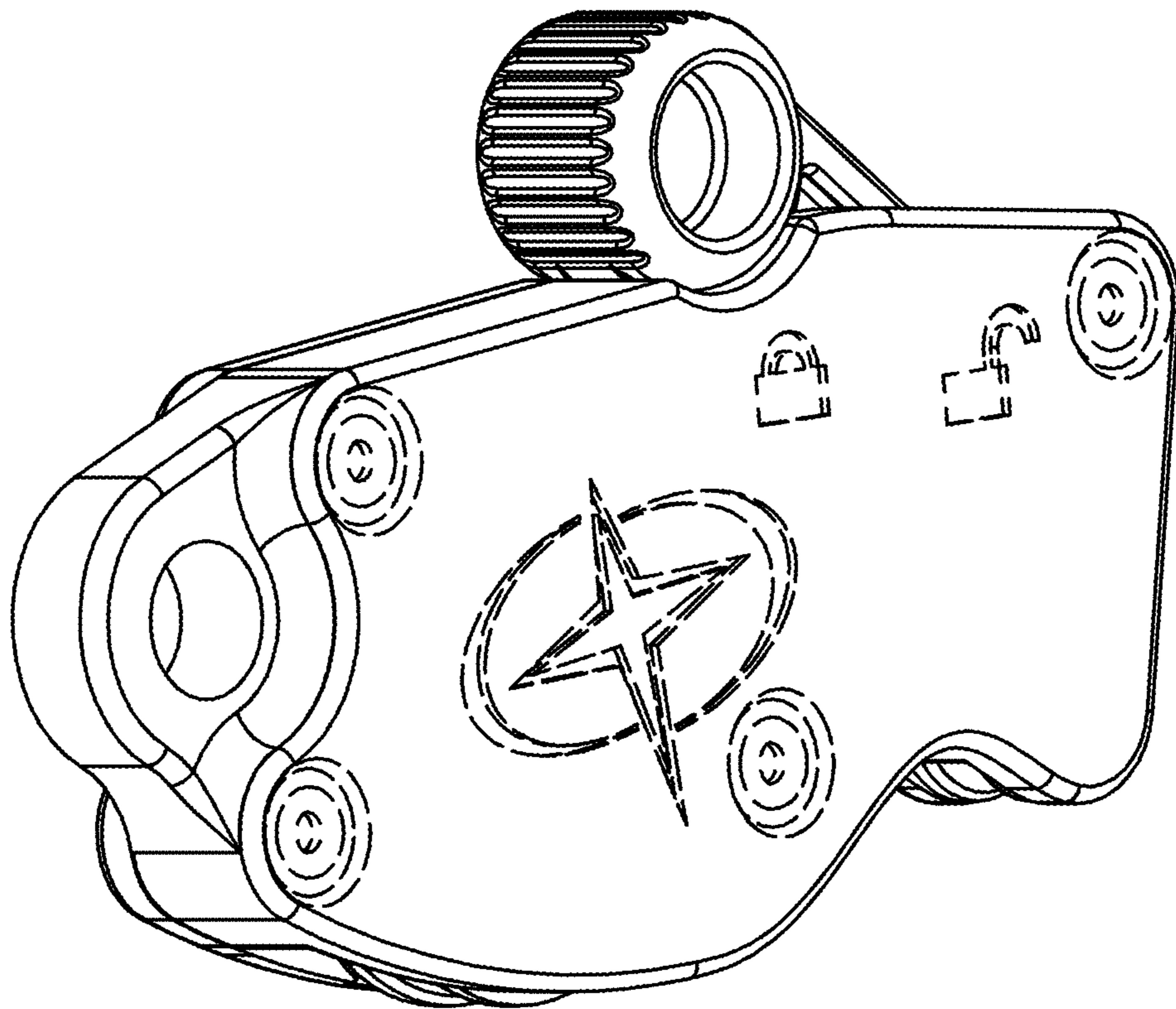


FIG. 3

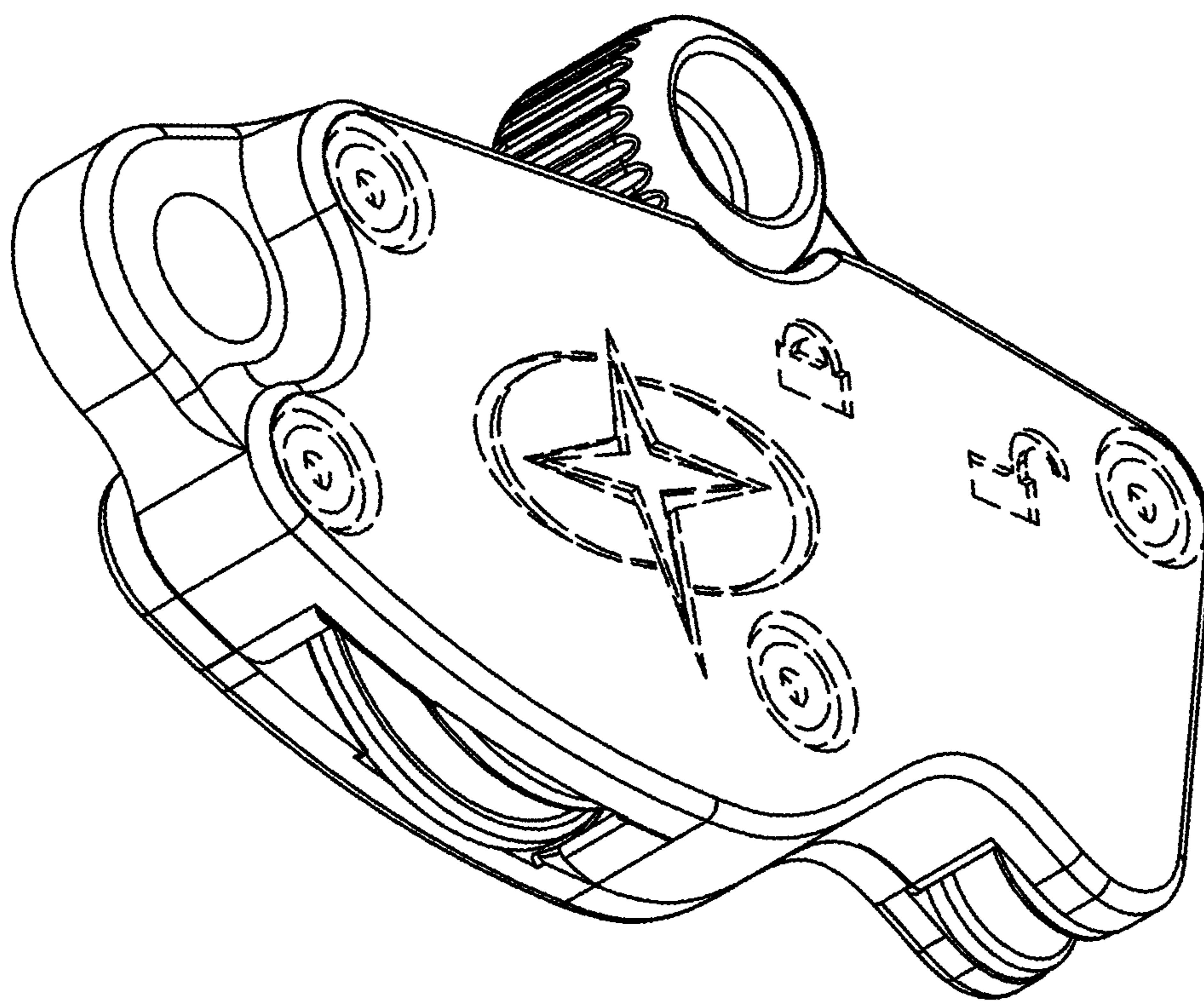


FIG. 4

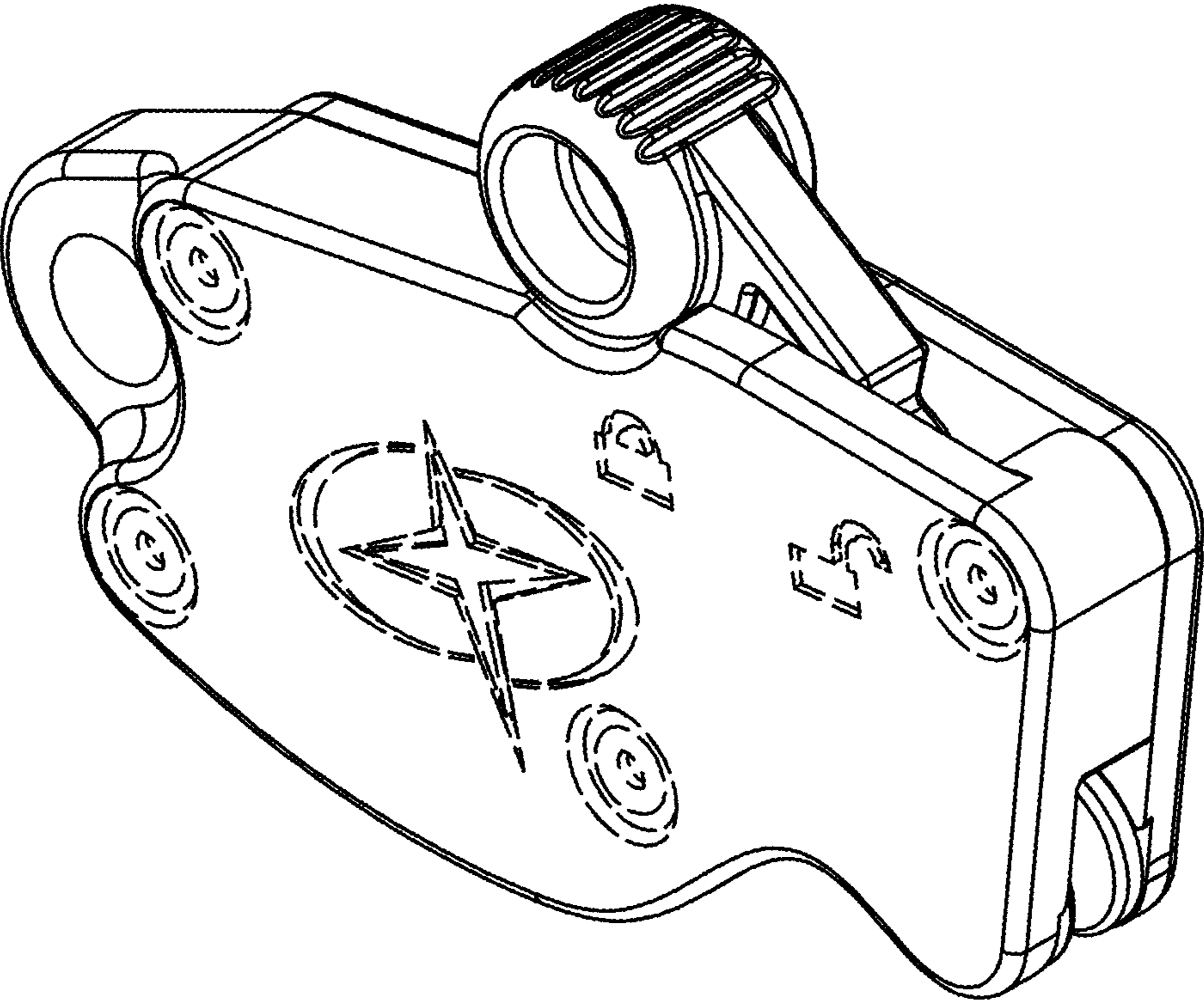


FIG. 5

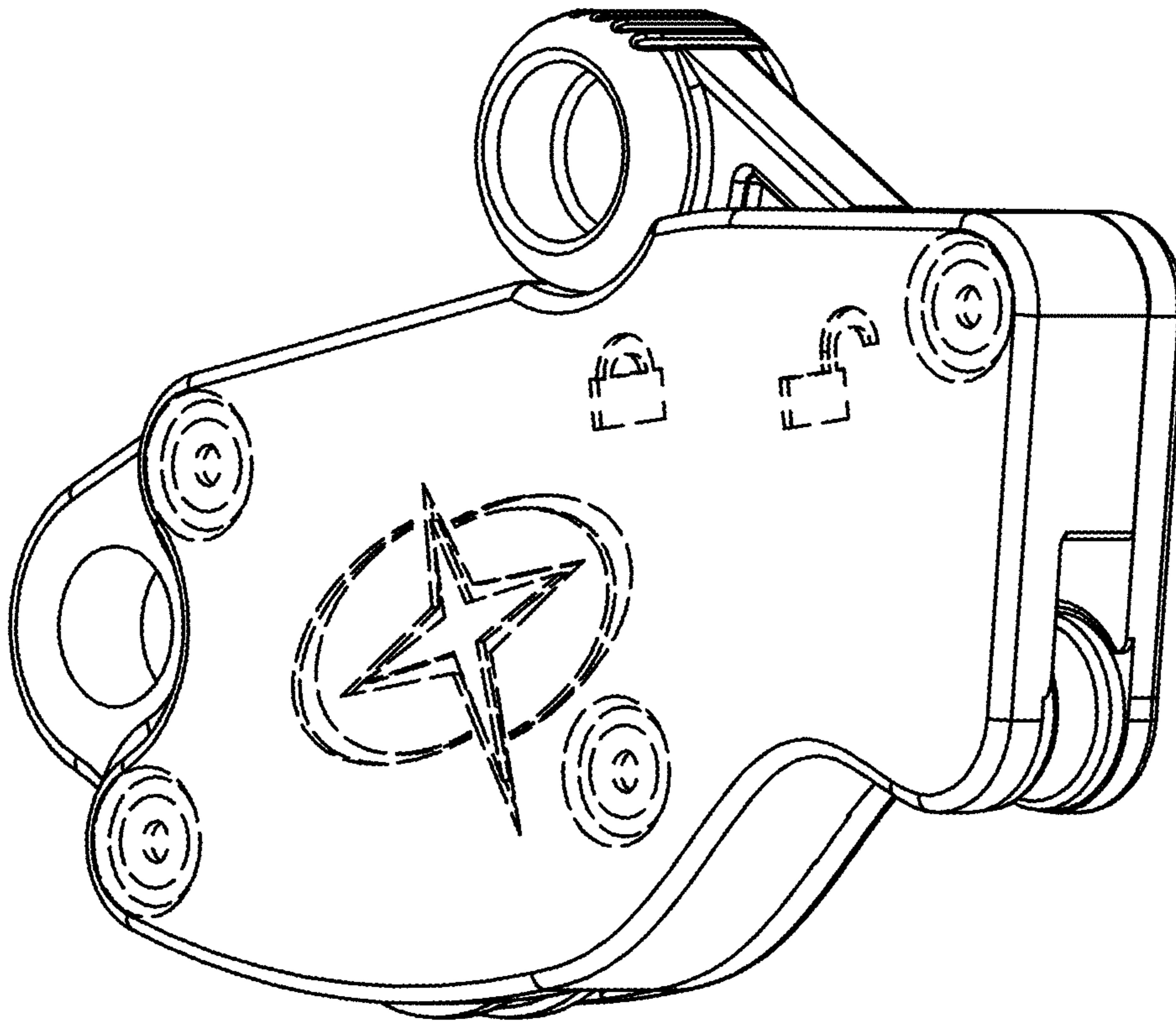


FIG. 6

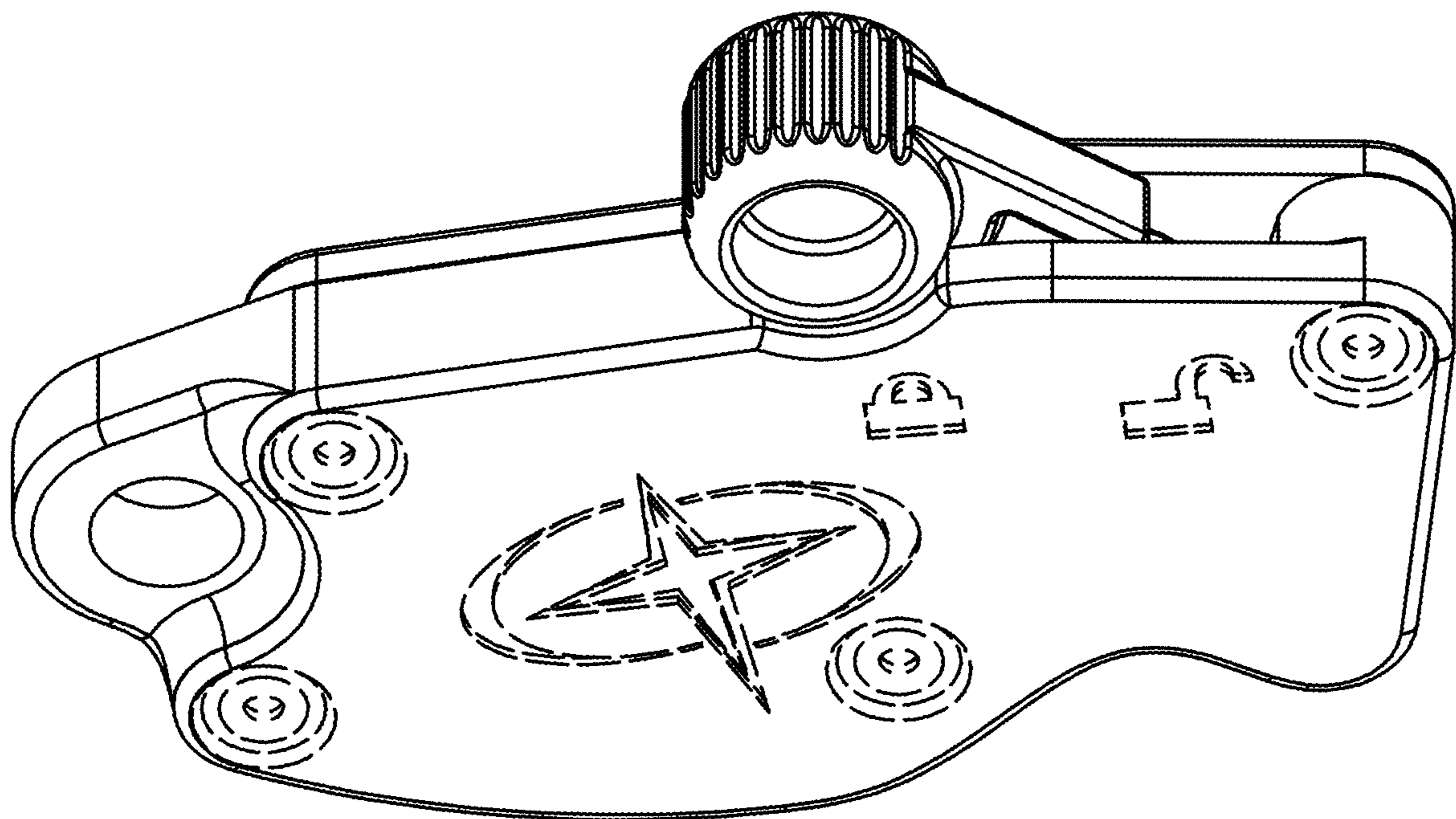


FIG. 7

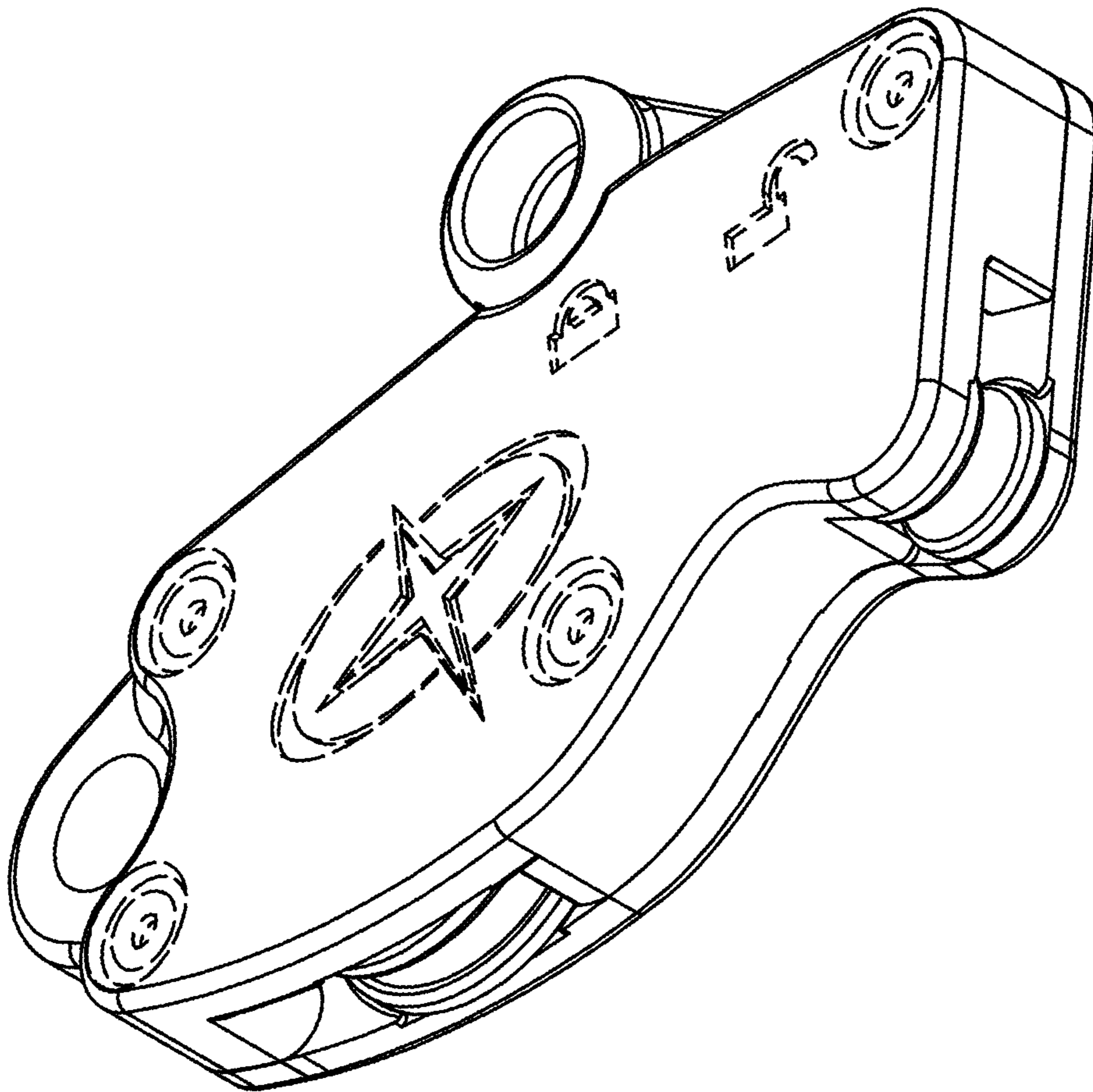




FIG. 8

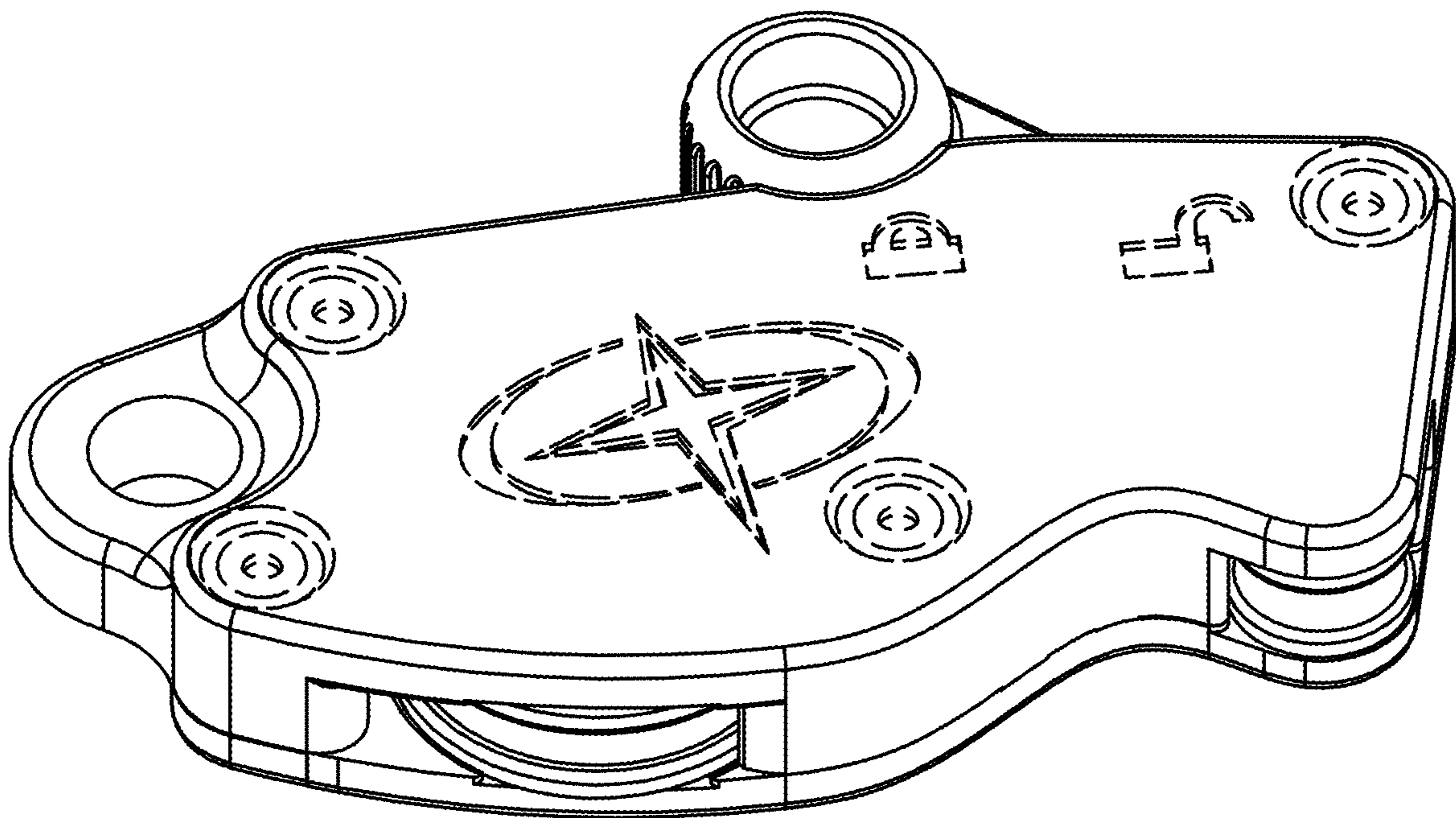


FIG. 9

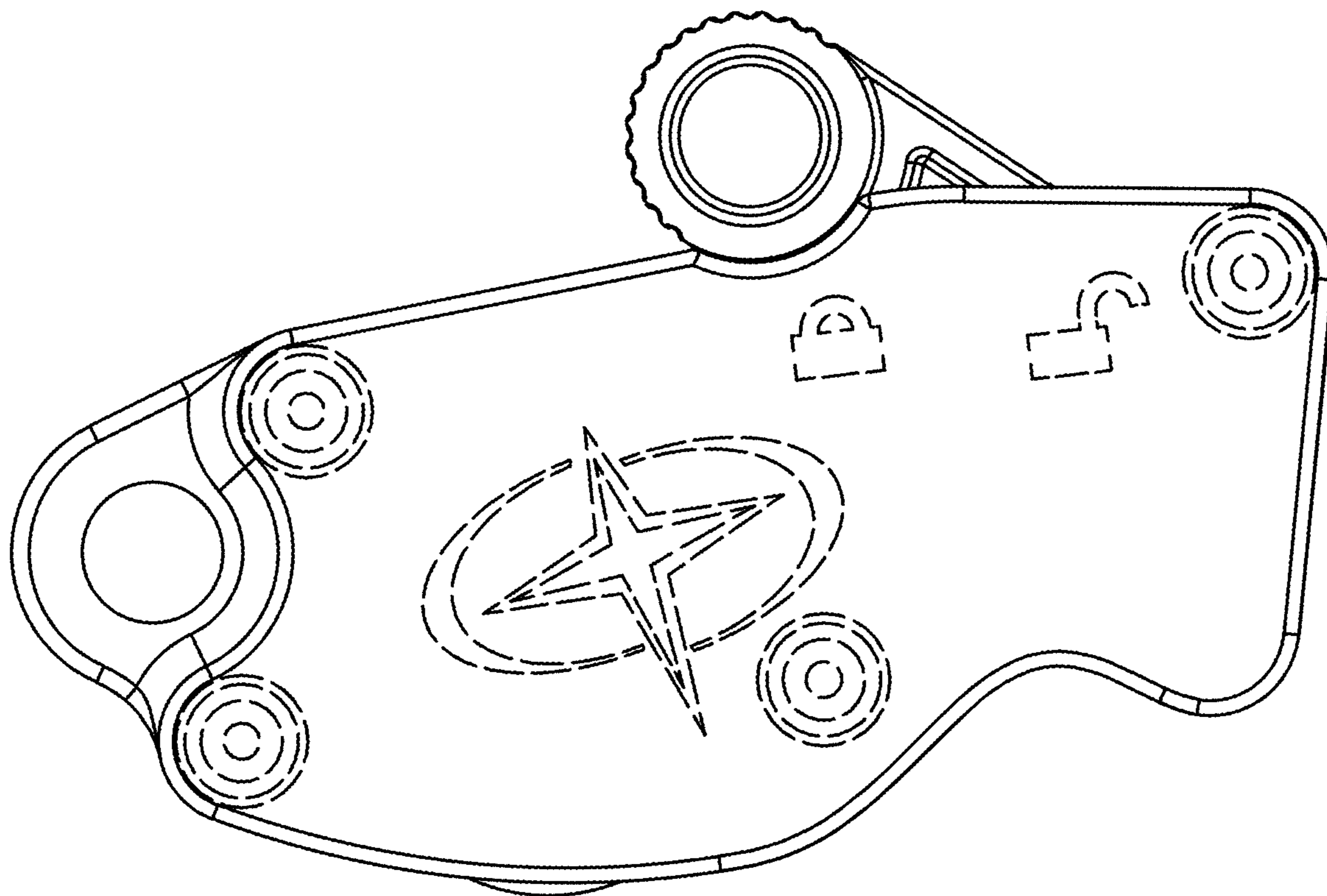


FIG. 10

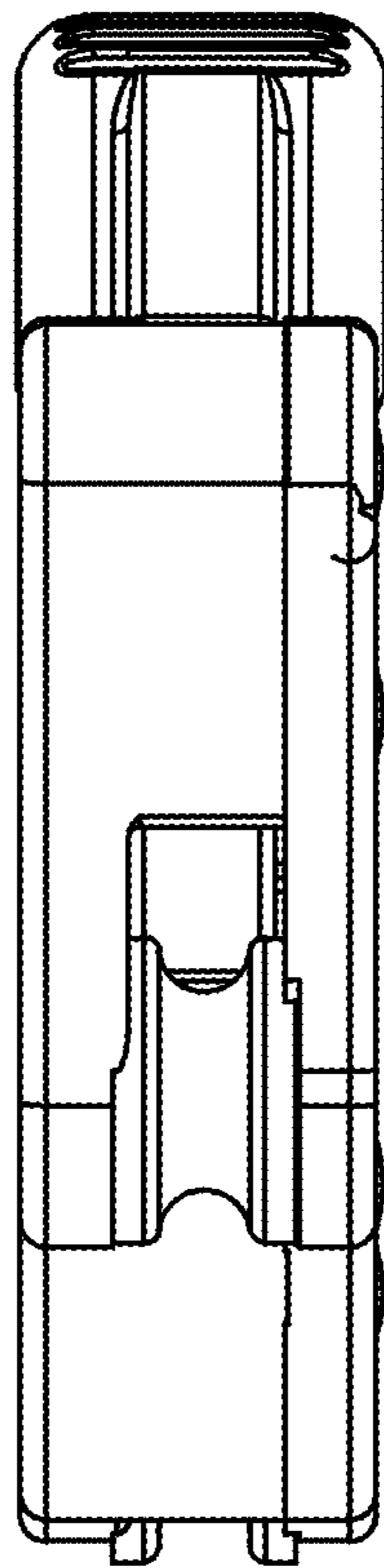


FIG. 11

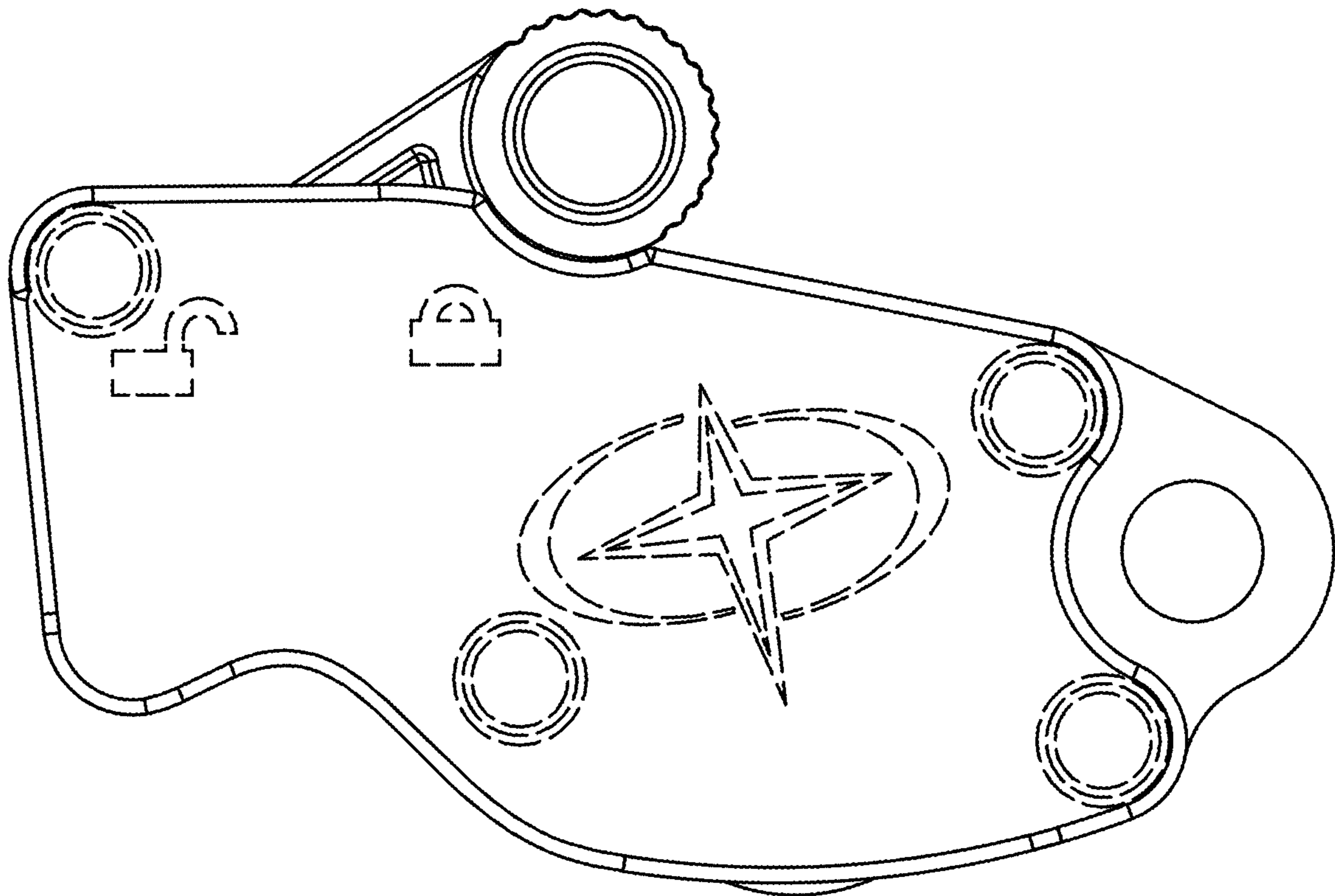


FIG. 12

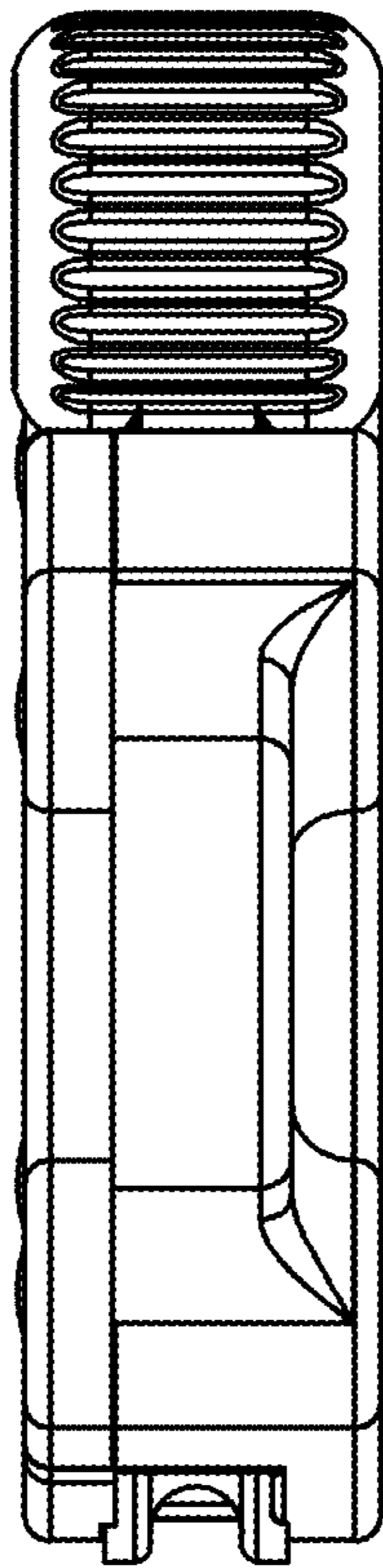


FIG. 13

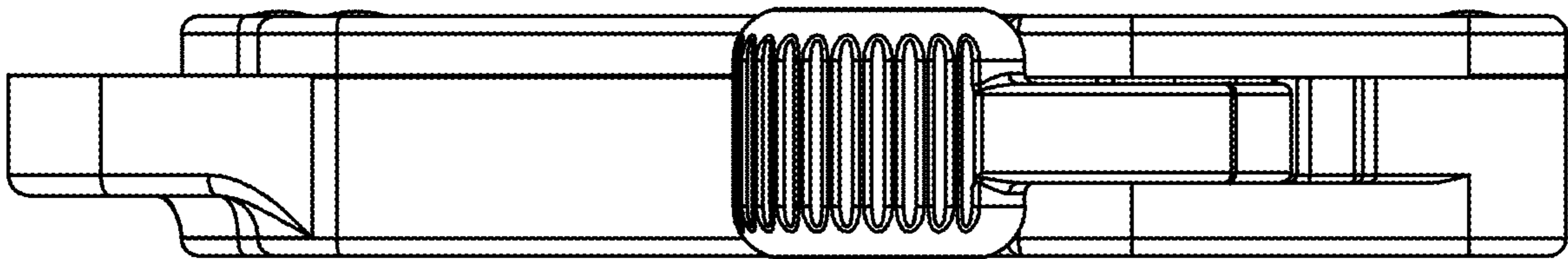


FIG. 14

