



US00D924669S

(12) **United States Design Patent**
Stener

(10) **Patent No.:** **US D924,669 S**
(45) **Date of Patent:** **** Jul. 13, 2021**

(54) **ADAPTER FOR SUPPORTING AN ELECTRONIC DEVICE**

(71) Applicant: **Wild West Investments, LLC**, Dallas, TX (US)

(72) Inventor: **Gavin Stener**, Dallas, TX (US)

(73) Assignee: **Wild West Investments, LLC**, Dallas, TX (US)

(**) Term: **15 Years**

(21) Appl. No.: **29/765,907**

(22) Filed: **Jan. 12, 2021**

Related U.S. Application Data

(60) Continuation of application No. 29/740,038, filed on Jun. 30, 2020, now Pat. No. Des. 909,854, which is a division of application No. 29/708,370, filed on Oct. 4, 2019, now Pat. No. Des. 888,543, which is a continuation of application No. 29/686,974, filed on Apr. 9, 2019, now Pat. No. Des. 862,213, which is a
(Continued)

(51) **LOC (13) Cl.** **08-05**

(52) **U.S. Cl.**
USPC **D8/354**

(58) **Field of Classification Search**
USPC D14/371-382, 125-129, 336, 337, D14/447-452, 492, 335, 376-382, 239, D14/457, 439-441, 432, 251-253, 413, D14/416; D8/330, 349, 354, 363, 373, D8/376, 380, 356, 377, 381; D21/333, D21/565; D12/133, 415; D3/10, 218; 348/180, 184, 325, 739, 825; 248/323, 248/278.1, 286.1; D6/580; D13/122; D25/119, 124
CPC G06F 3/0412; G06F 3/016; G06F 3/0488; G06F 3/011; G06F 3/038; G06F 3/03543; G06F 3/0338; G06F 3/0202; G06F 3/0219; G06F 3/0213; G06F 1/1616; G06F 3/023; G06F 3/04883; G02F

1/13338; G02F 1/1313; G02F 1/1333; G02F 1/135; G02F 1/132; G02F 1/133308; G02F 1/134309; G02F 1/13718; G09G 3/3648; G06K 15/1252; B41J 2/465; G03F 7/70291; G02B 27/0172; G02B 5/30; G02B 2027/0118; G02B 27/0101; F16M 13/02; F16M 13/00; F16M 11/10; F16M 11/04; F16M 2200/08; F16M 11/2021; A47B 21/0314; A47B 88/044; A47B 2021/0335; H02G 3/126; F16B 47/00; F16B 47/006; A47G 1/17; A47K 2201/00

See application file for complete search history.

(56) **References Cited**

U.S. PATENT DOCUMENTS

D271,312 S * 11/1983 Renteria D14/413
D290,719 S 7/1987 Holloway
(Continued)

Primary Examiner — Katie Jane Stofko

(74) *Attorney, Agent, or Firm* — Foley & Lardner LLP

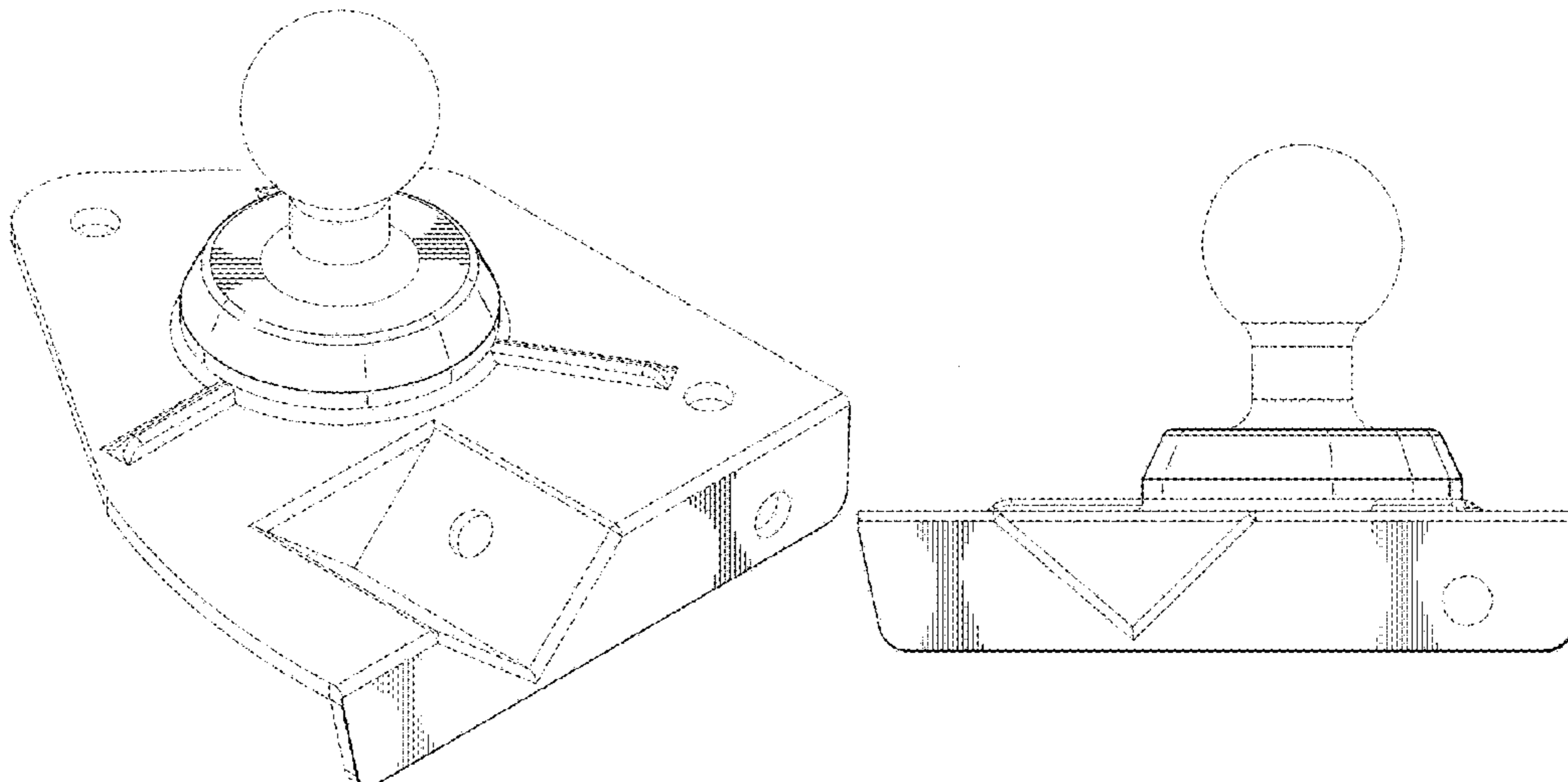
(57) **CLAIM**

An ornamental design for an adapter for supporting an electronic device, as shown and described.

DESCRIPTION

FIG. 1 is an illustration of a front perspective view of an adapter for supporting an electronic device; FIG. 2 is a front elevational view thereof; FIG. 3 is a rear elevational view thereof; FIG. 4 is a right-side elevational view thereof; FIG. 5 is a left-side elevational view thereof; FIG. 6 is a top view thereof; and, FIG. 7 is a bottom view thereof. The broken lines in FIGS. 1-7 illustrate portions of the adapter for supporting an electronic device that form no part of the claimed design.

1 Claim, 5 Drawing Sheets



Related U.S. Application Data

continuation of application No. 29/663,162, filed on Sep. 12, 2018, now Pat. No. Des. 845,111, which is a division of application No. 29/654,050, filed on Jun. 20, 2018, now Pat. No. Des. 838,579, which is a division of application No. 29/208,370, filed on Jun. 29, 2004, now Pat. No. Des. 539,616.

(56)

References Cited

U.S. PATENT DOCUMENTS

D291,785 S	9/1987	Rahme	
D317,331 S	6/1991	Holloway	
D317,950 S *	7/1991	Tse	D14/413
D357,400 S	4/1995	Sachs	
D360,571 S	7/1995	Perry	
D373,761 S	9/1996	Yu	
D374,165 S	10/1996	Marshall	
D390,709 S	2/1998	Moore	
5,786,807 A *	7/1998	Couch	A63F 13/06 345/161
D401,496 S	11/1998	Lambert	
D409,182 S	5/1999	Tyler	
D440,845 S *	4/2001	Lackey	D8/29
D443,566 S	6/2001	Peterson	
D554,137 S	10/2007	Richter	
D587,713 S *	3/2009	Sutton	D14/412

D592,487 S	5/2009	Tedesco	
D657,783 S	4/2012	Mo	
D658,184 S *	4/2012	Chang	D14/413
D673,443 S	1/2013	Elrod	
D674,681 S	1/2013	Gorman	
D686,622 S	7/2013	Rey	
D691,027 S	10/2013	Rainer	
D698,357 S *	1/2014	Mainville	D14/412
D718,298 S	11/2014	Aspinall	
D723,559 S	3/2015	Hein	
D732,519 S	6/2015	Aspinall	
D732,932 S *	6/2015	Ng	D8/354
D733,116 S	6/2015	Aspinall	
D740,589 S	10/2015	Ng	
D741,689 S	10/2015	Metzler	
D748,640 S	2/2016	Hart	
D753,983 S	4/2016	Toye	
D754,527 S	4/2016	Green	
D759,465 S	6/2016	Reed	
D760,066 S	6/2016	Krenek	
D761,094 S *	7/2016	Hooten	D8/382
D776,091 S *	1/2017	Spio	D14/218
D790,545 S *	6/2017	Dannenberg	D14/413
D792,418 S	7/2017	Stener	
D807,152 S	1/2018	Hansen	
D834,020 S *	11/2018	Pascucci	D14/399
D884,661 S *	5/2020	Kim	D13/168
2004/0251388 A1	12/2004	Williams	
2005/0045779 A1	3/2005	Nan	

* cited by examiner

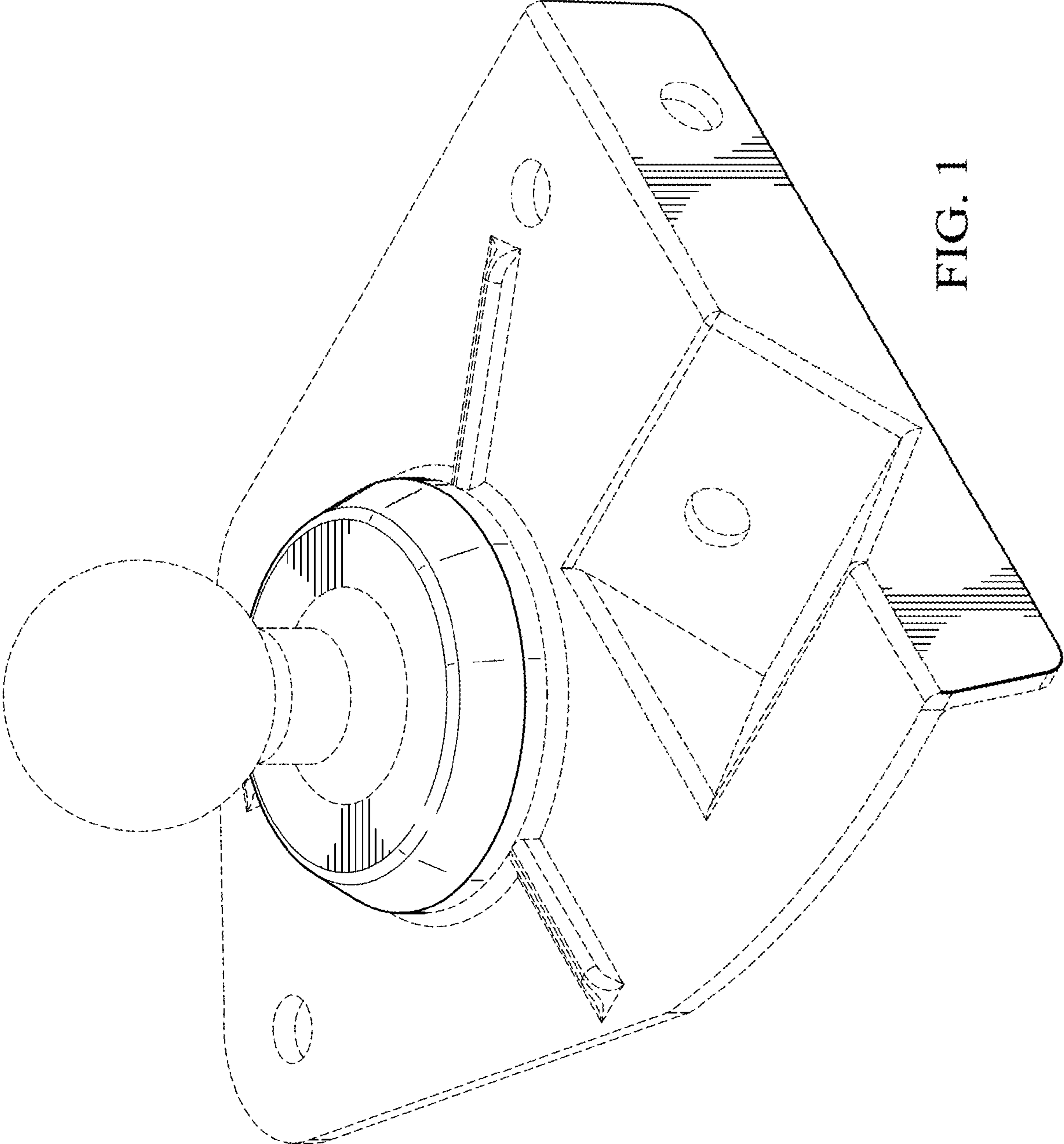


FIG. 1

FIG. 2

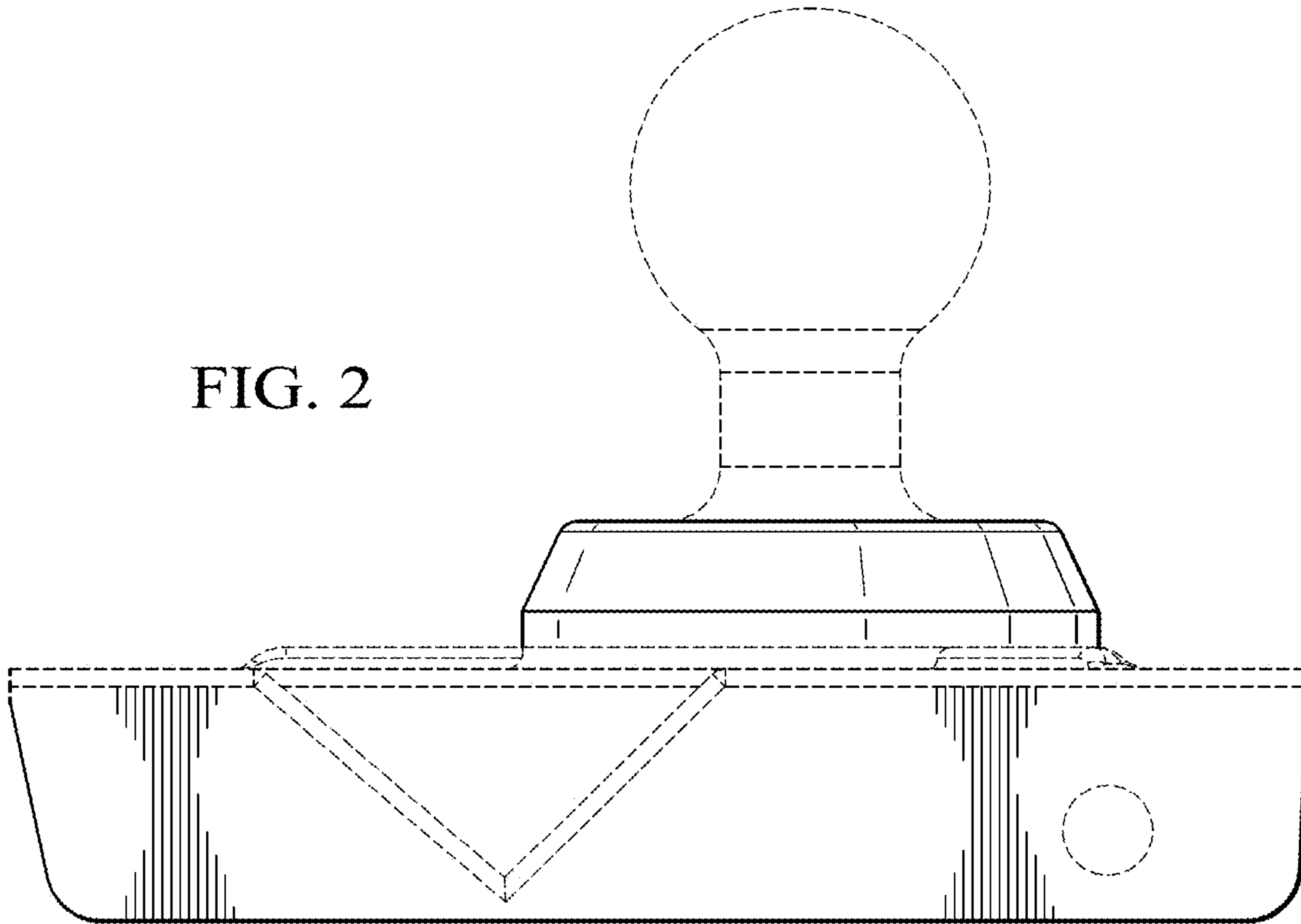


FIG. 3

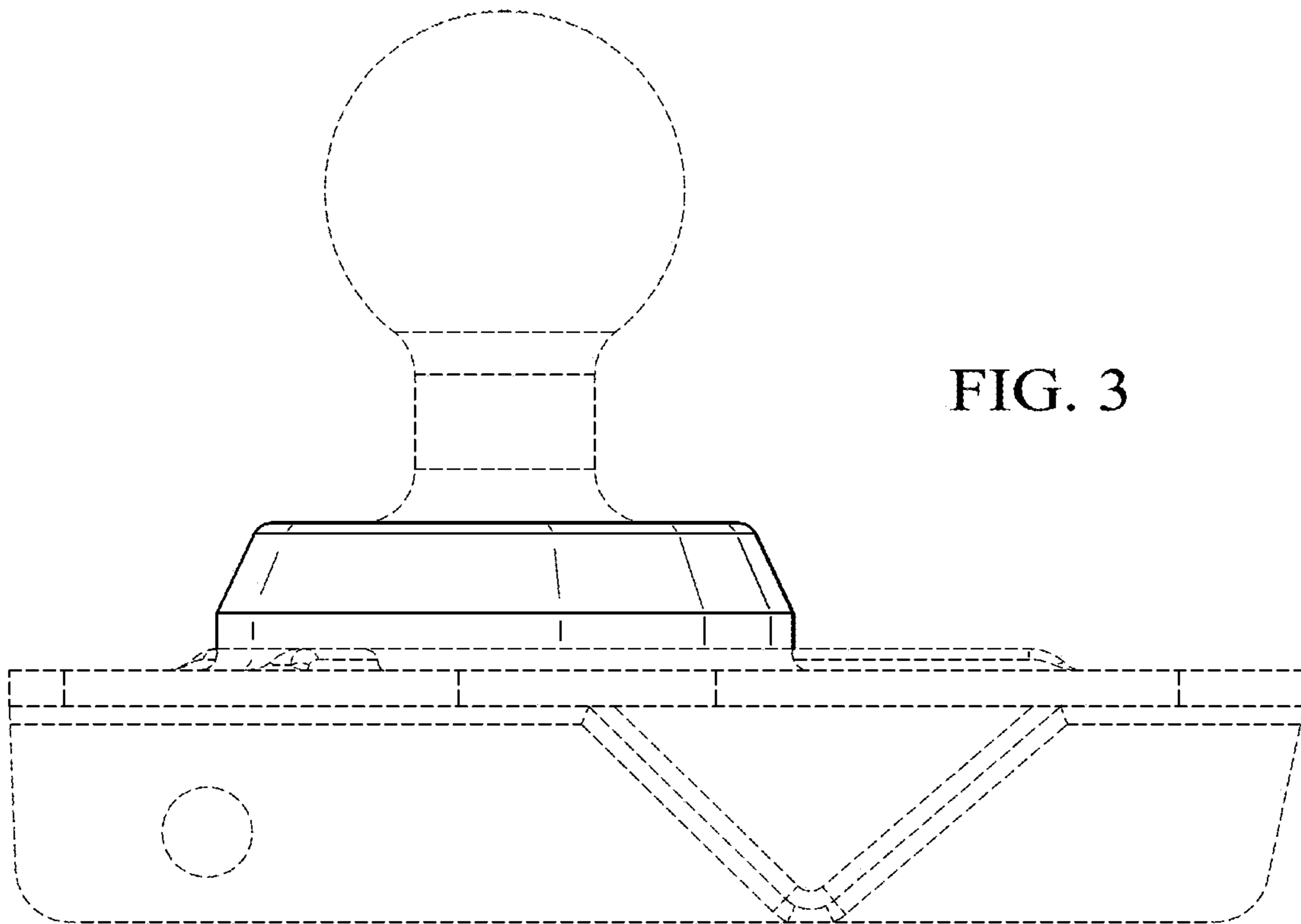


FIG. 4

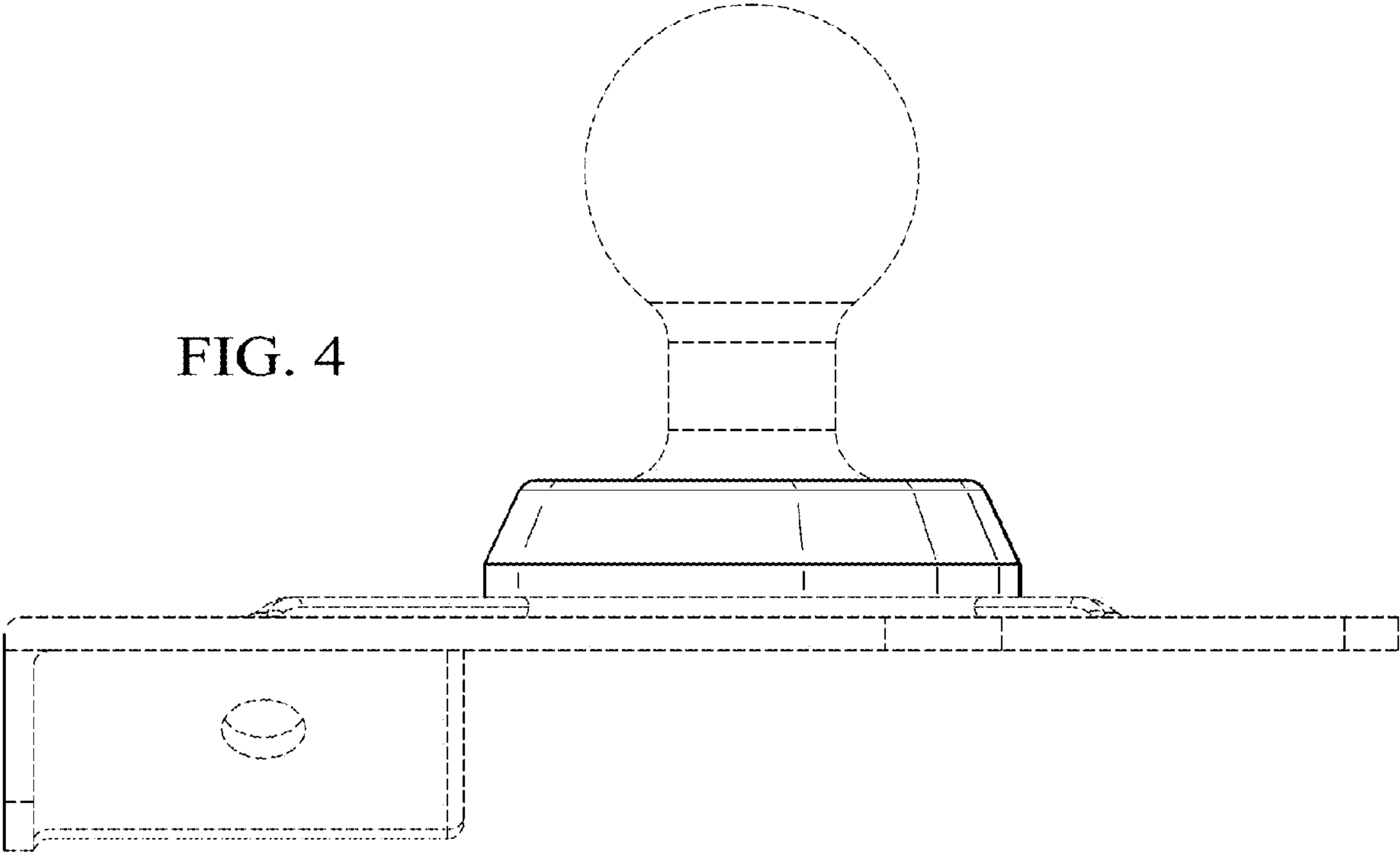
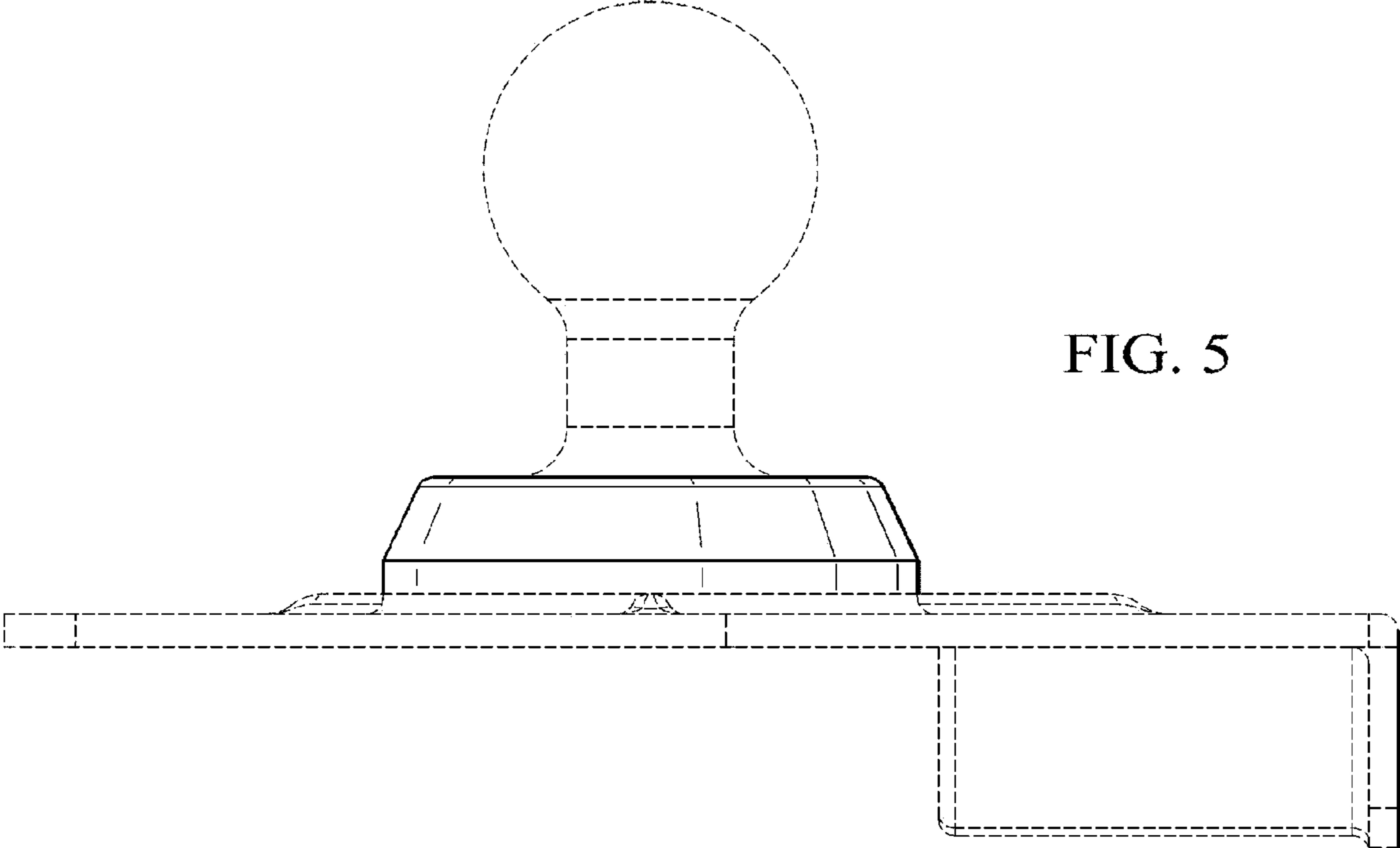


FIG. 5



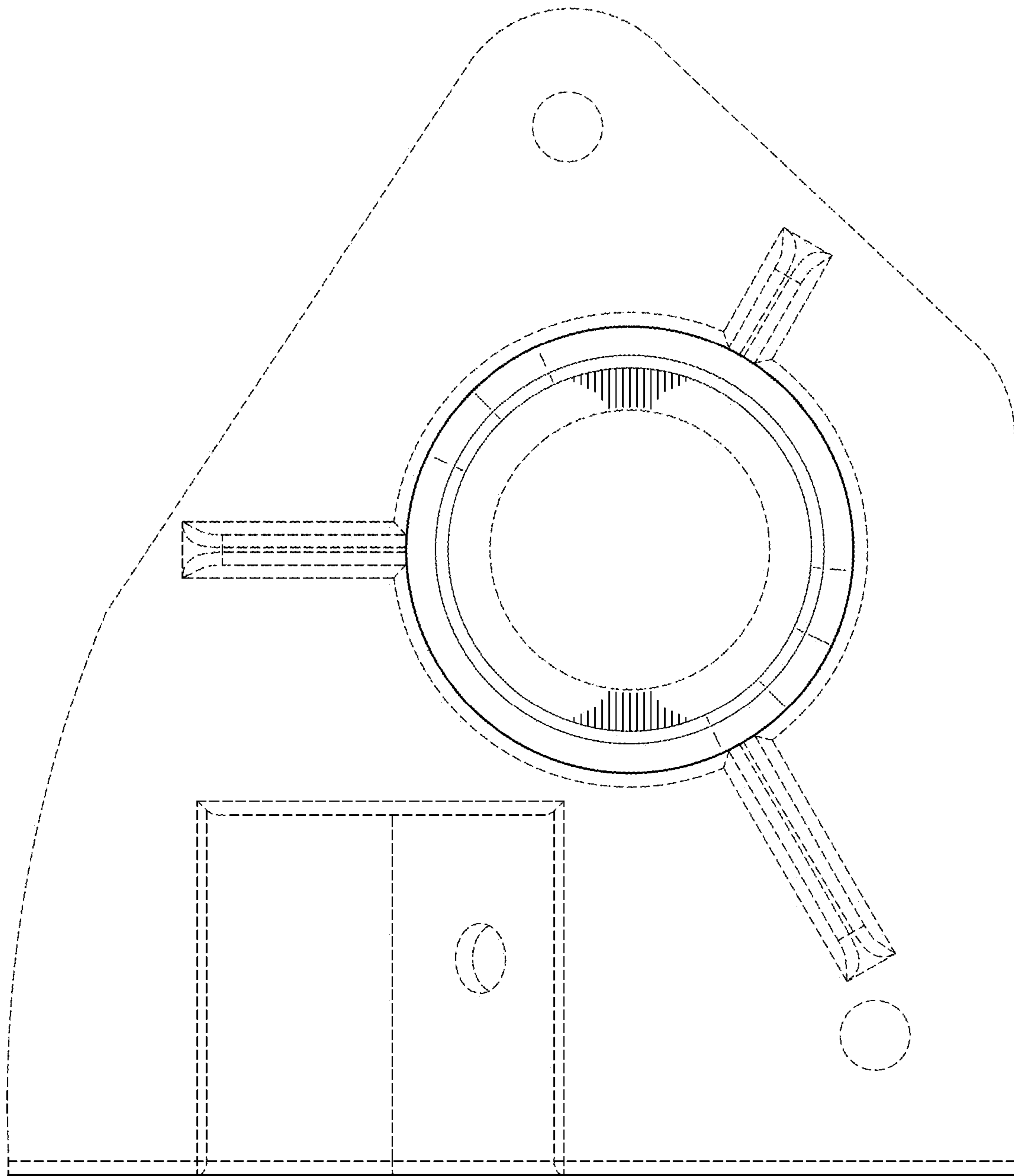


FIG. 6

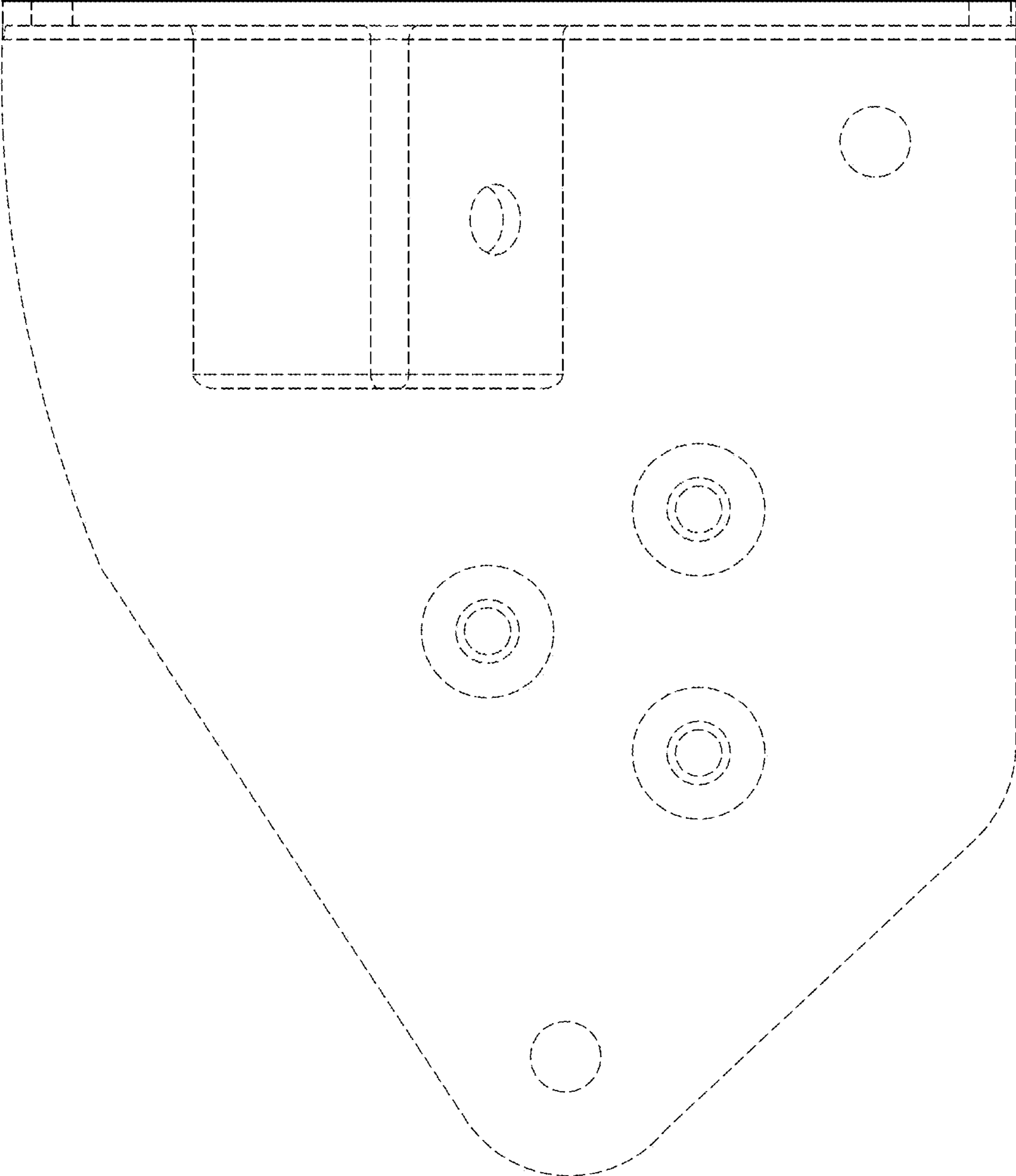


FIG. 7