



US00D924668S

(12) **United States Design Patent** (10) **Patent No.:** **US D924,668 S**
Brenizer, Jr. et al. (45) **Date of Patent:** **** Jul. 13, 2021**

(54) **SCREW ANCHOR**

(71) Applicants: **Ronald Max Lee Brenizer, Jr.**,
Norwalk, IA (US); **Michael Raymond**
Leto, Norwalk, IA (US)

(72) Inventors: **Ronald Max Lee Brenizer, Jr.**,
Norwalk, IA (US); **Michael Raymond**
Leto, Norwalk, IA (US)

(**) Term: **15 Years**

(21) Appl. No.: **29/746,927**

(22) Filed: **Aug. 18, 2020**

(51) **LOC (13) Cl.** **08-05**

(52) **U.S. Cl.**
USPC **D8/354; D8/387**

(58) **Field of Classification Search**
USPC D8/354, 387, 388, 391; 411/378-379,
411/393-394, 411, 402-405, 178, 184,
411/188, 412, 481, 387.1
CPC E02D 5/80; E02D 5/801
See application file for complete search history.

(56) **References Cited**

U.S. PATENT DOCUMENTS

4,928,446	A *	5/1990	Alexander, Sr.	E02D 5/801	40/610
5,135,192	A	8/1992	Winkler		
5,396,916	A	3/1995	Boissonnault		
D359,437	S	6/1995	Bilotti		
D402,803	S	12/1998	Goldberg et al.		
D416,401	S	11/1999	Taylor		
6,487,977	B1 *	12/2002	Williams	A45B 23/00	108/150
6,810,630	B2 *	11/2004	Chizmas	A01K 1/04	52/155
D550,071	S *	9/2007	Powell	D8/387	
D554,810	S *	11/2007	Head	D30/154	
7,673,588	B2 *	3/2010	Head	A01K 1/04	119/786
D625,508	S	10/2010	Thurrott et al.		

D630,834	S *	1/2011	Cohen	D3/10
D632,442	S *	2/2011	Beck	D30/154
D649,030	S *	11/2011	Austin, III	D8/387
8,235,347	B2	8/2012	Austin, III et al.	

(Continued)

FOREIGN PATENT DOCUMENTS

CN	207959722	U	10/2018
DE	29507183	U1	7/1995

(Continued)

Primary Examiner — Keli L Hill
Assistant Examiner — Harold E Blackwell, II
(74) *Attorney, Agent, or Firm* — McKee, Voorhees & Sease, PLC

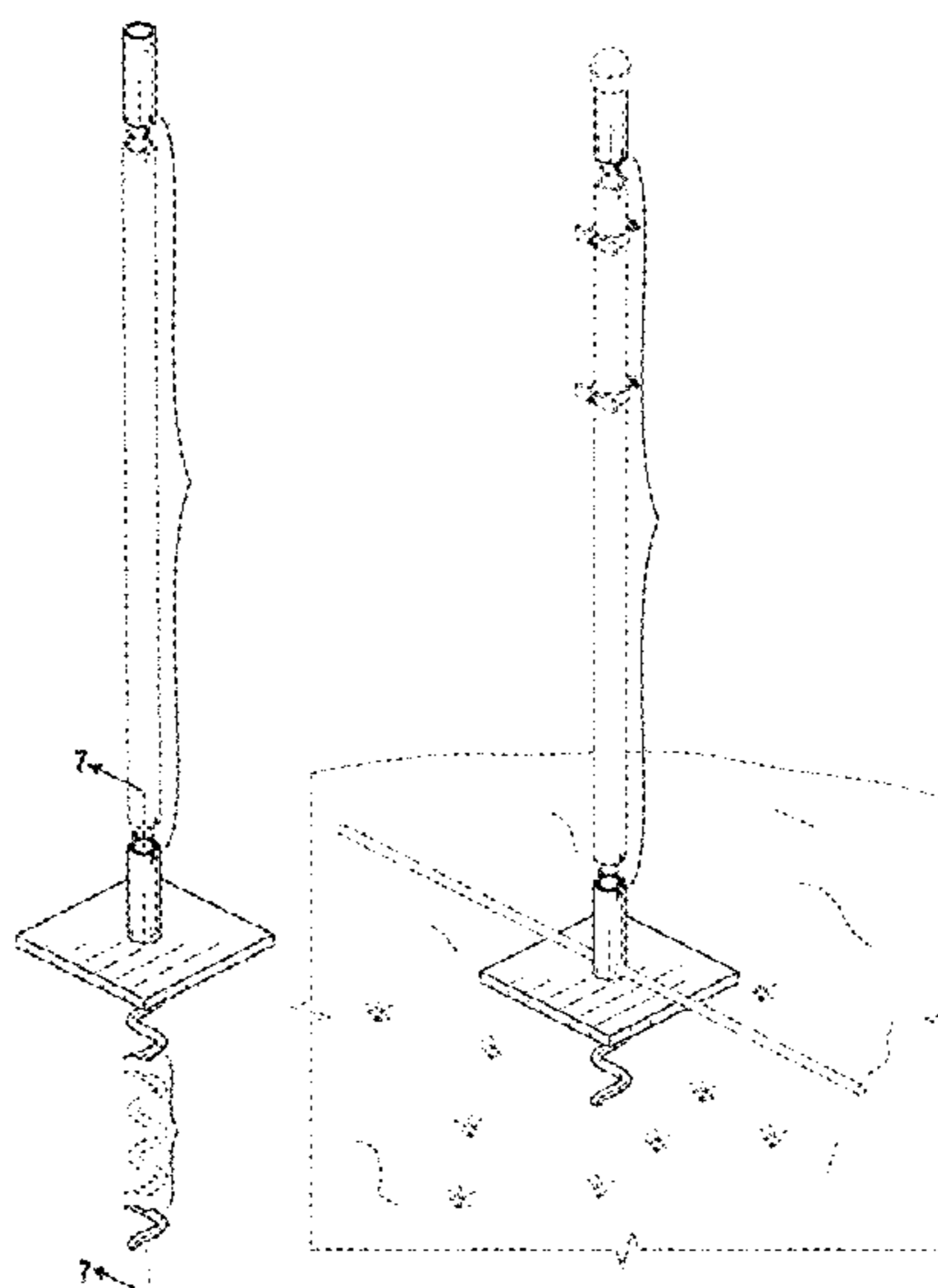
(57) **CLAIM**

The ornamental design for a screw anchor, as shown and described.

DESCRIPTION

FIG. 1 is a perspective view of a screw anchor;
FIG. 2 is another perspective view thereof;
FIG. 3 is a front view thereof, the rear view being a mirror image thereof;
FIG. 4 is a left-side view thereof, the right-side view being a mirror image thereof;
FIG. 5 is a top view thereof;
FIG. 6 is a bottom view thereof;
FIG. 7 is a detailed, cross-sectional view thereof; and,
FIG. 8 is an environmental view thereof.
The broken lines in the drawings illustrate portions of a screw anchor which form no part of the claimed design. Some aspects of the screw anchor are shown with symbolic breaks in height. The appearance of any portion of the screw anchor between the break lines forms no part of the claimed design.

1 Claim, 6 Drawing Sheets



(56)

References Cited

U.S. PATENT DOCUMENTS

8,407,949 B2 * 4/2013 Kellner E04H 12/2223
52/157
8,950,222 B1 2/2015 Bonnevie
D793,208 S * 8/2017 Valdez D8/354
10,008,134 B2 6/2018 Pura et al.
D855,968 S * 8/2019 Hu D3/10
D860,297 S * 9/2019 Brooks D16/242
10,724,672 B2 * 7/2020 Brooks A01K 31/14
2007/0240367 A1 * 10/2007 Brown A01K 97/10
52/155
2008/0307721 A1 12/2008 Schultz
2015/0040491 A1 * 2/2015 Frank E02D 27/00
52/157
2016/0032551 A1 * 2/2016 Yackley E02D 5/80
52/156

FOREIGN PATENT DOCUMENTS

EP 3425139 A1 1/2019
FR 2779468 B1 11/2000
GB 554273 6/1943
GB 2395750 B 5/2006
JP 6664648 B1 3/2020
WO 8601849 A1 3/1986

* cited by examiner

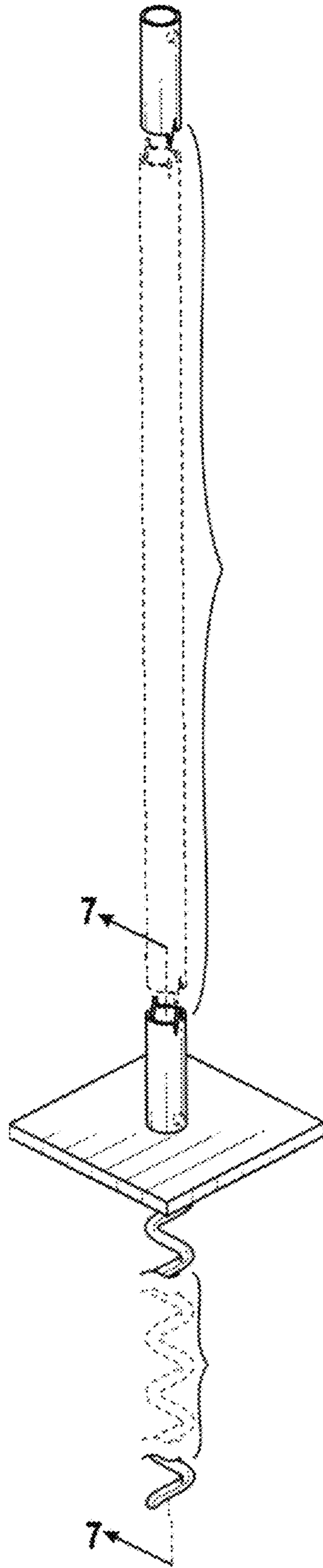


FIG. 1

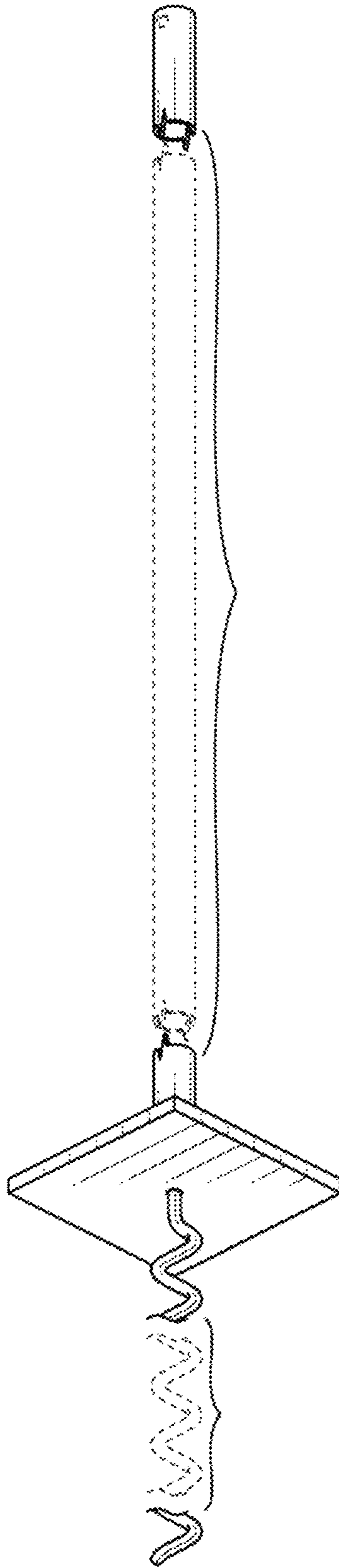


FIG. 2

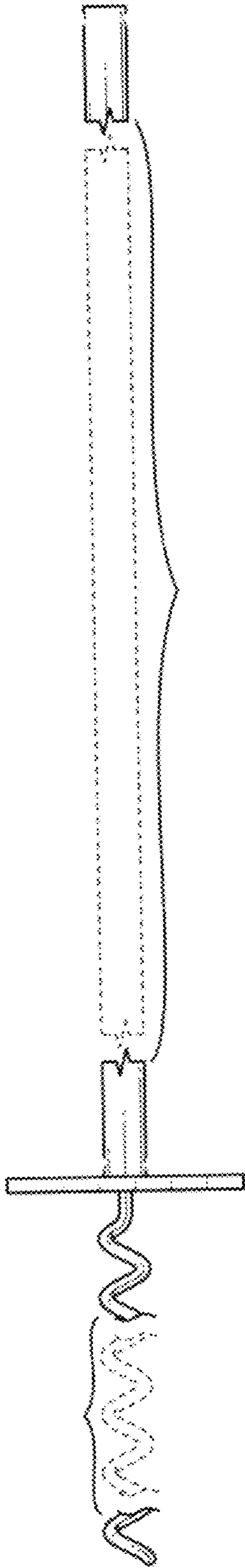


FIG. 3

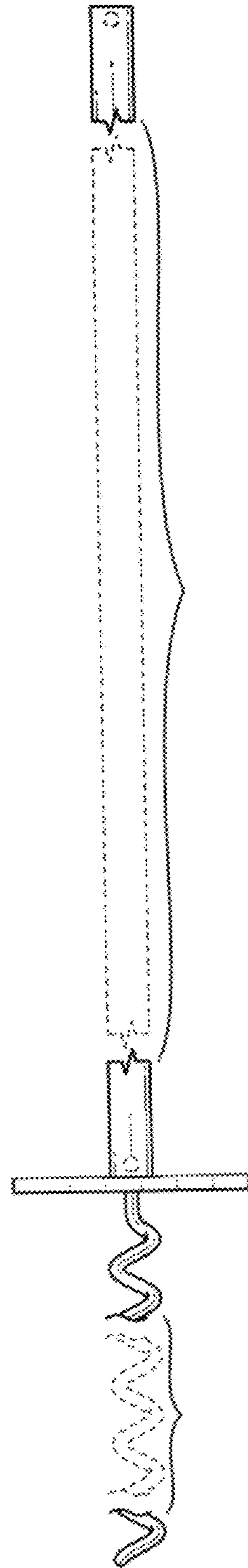


FIG. 4

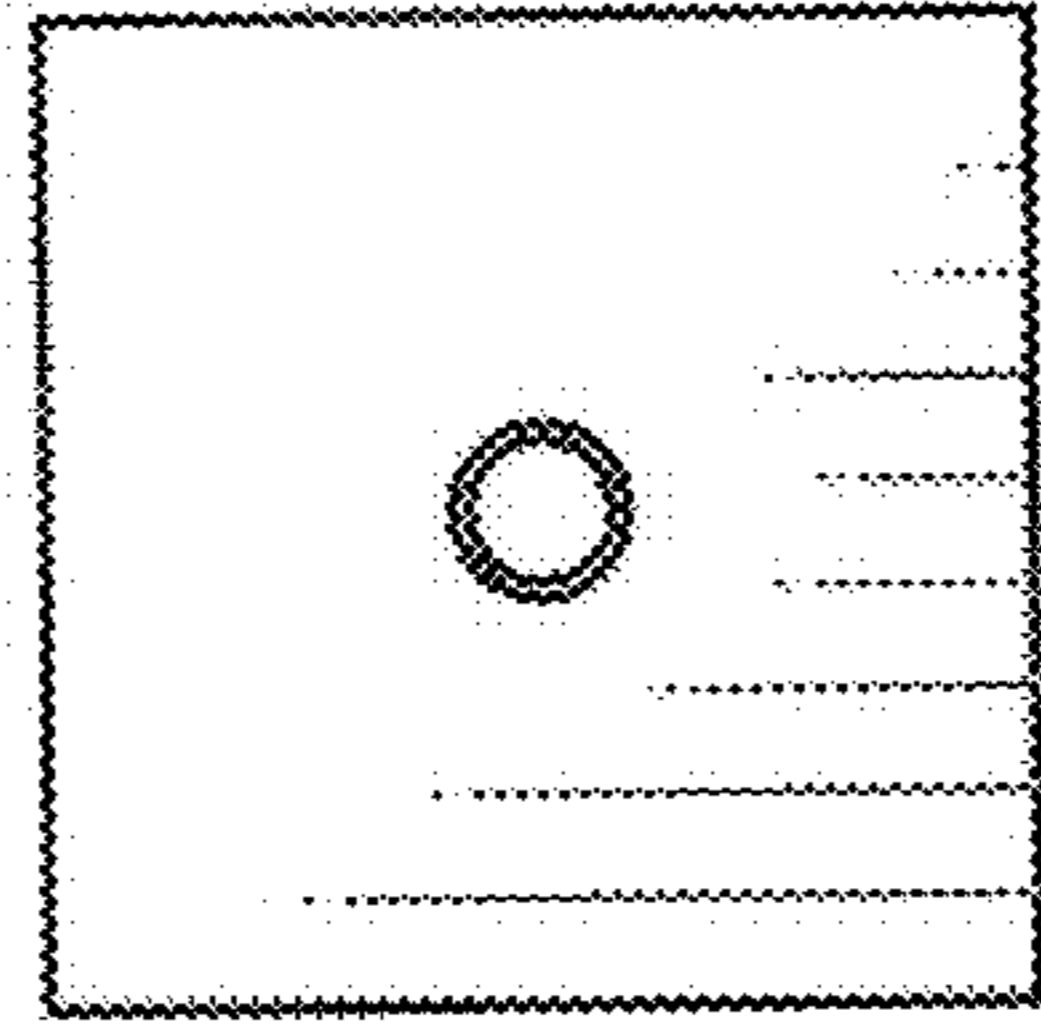


FIG. 5

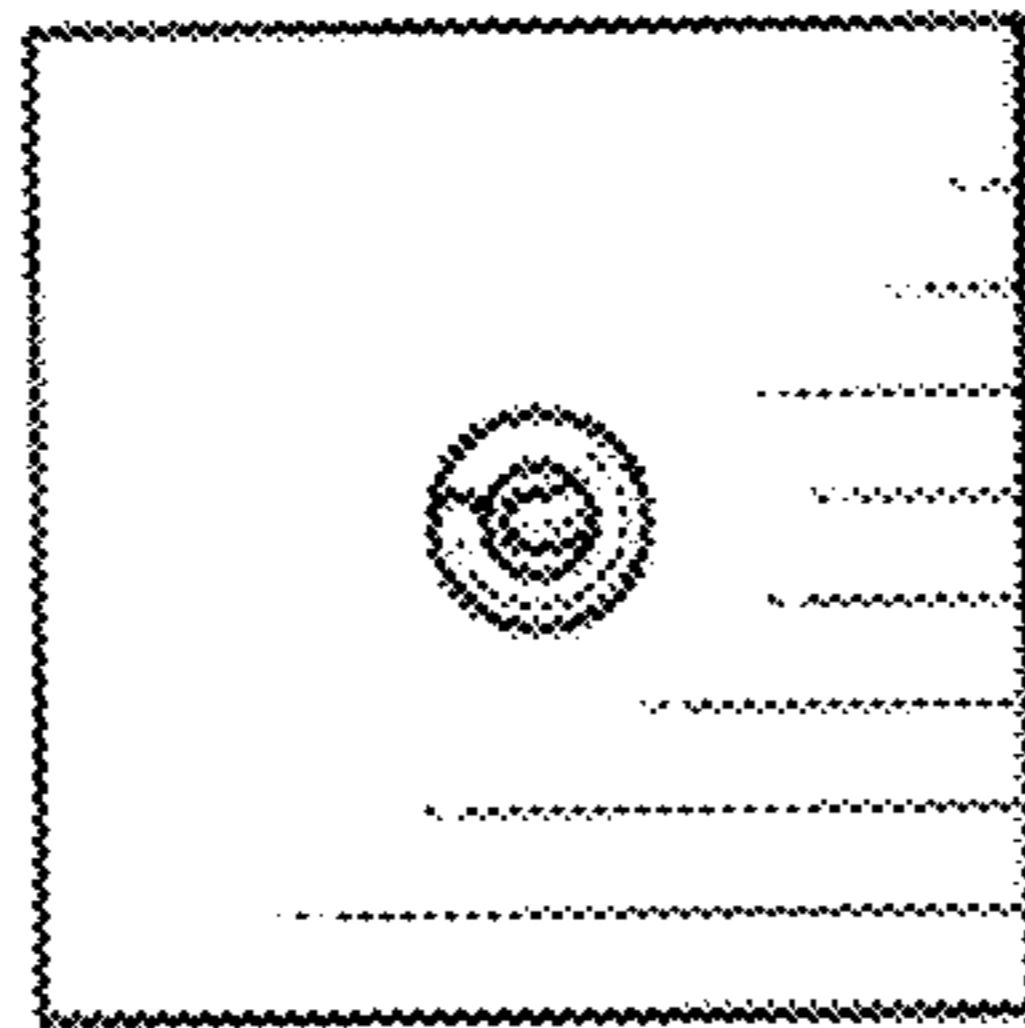


FIG. 6

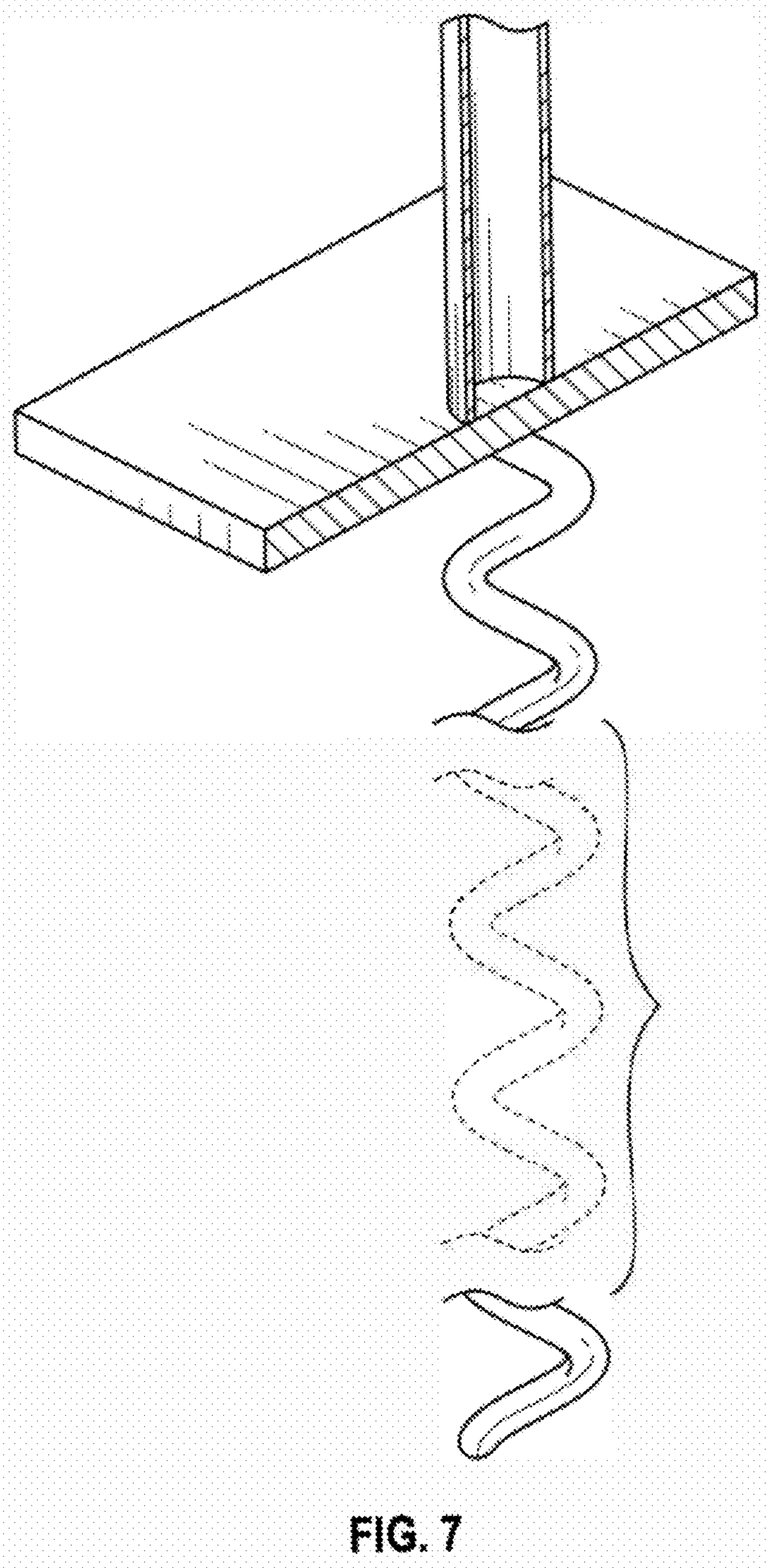


FIG. 7

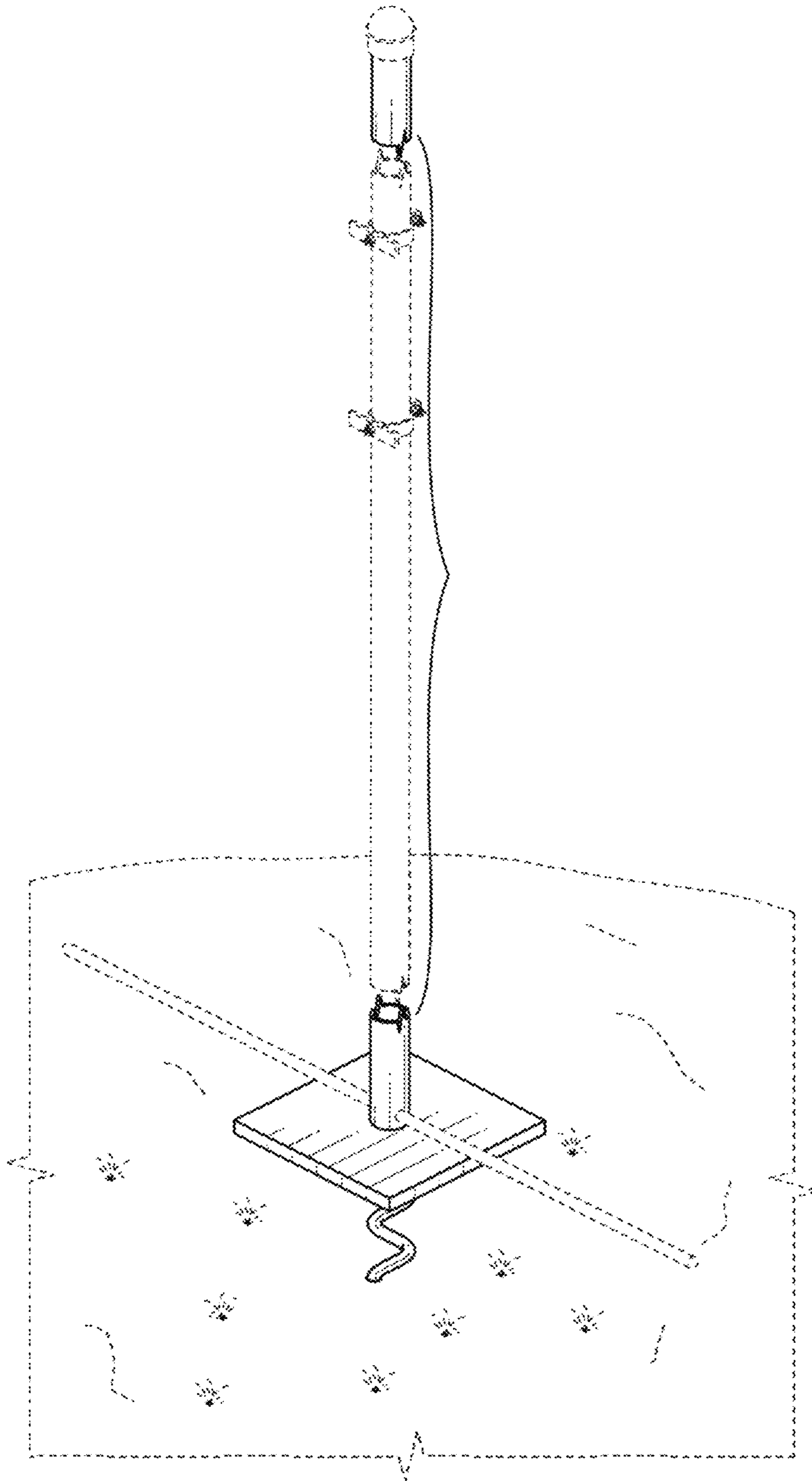


FIG. 8