



US00D924667S

(12) **United States Design Patent**  
**Parks**

(10) **Patent No.:** **US D924,667 S**

(45) **Date of Patent:** **\*\* Jul. 13, 2021**

- (54) **FENCE GATE BRACKET**
- (71) Applicant: **Dwayne Scott Parks**, Warren, MI (US)
- (72) Inventor: **Dwayne Scott Parks**, Warren, MI (US)
- (\*\*) Term: **15 Years**
- (21) Appl. No.: **29/656,986**
- (22) Filed: **Jul. 18, 2018**
- (51) **LOC (13) Cl.** ..... **08-05**
- (52) **U.S. Cl.**  
USPC ..... **D8/354**
- (58) **Field of Classification Search**  
USPC ..... D8/323, 354, 373, 349  
CPC .. E05D 1/00; E05D 11/06; E05D 5/11; E05D  
3/02; A47K 13/12  
See application file for complete search history.

D647,385	S *	10/2011	Watts	.....	D8/349
8,225,460	B2 *	7/2012	Hooton	.....	E05D 3/10 16/309
8,407,859	B1 *	4/2013	Mitchell	.....	E05D 5/04 16/312
D683,609	S *	6/2013	Frank	.....	D8/323
D715,620	S *	10/2014	Tung	.....	D8/323
D717,633	S *	11/2014	Lu	.....	D8/323
D717,634	S *	11/2014	Lu	.....	D8/323
D719,434	S *	12/2014	Lu	.....	D8/323
D719,810	S *	12/2014	Lu	.....	D8/323
D729,042	S *	5/2015	Guzzoni	.....	D8/349
D744,313	S *	12/2015	Lu	.....	D8/323
D744,808	S *	12/2015	Lu	.....	D8/323
D744,809	S *	12/2015	Lu	.....	D8/323
D745,367	S *	12/2015	Mier	.....	D8/349
D758,164	S *	6/2016	Lu	.....	D8/323
D758,171	S *	6/2016	Kim	.....	D8/356
D784,795	S *	4/2017	Ravaioli	.....	D8/355
D804,276	S *	12/2017	Lu	.....	D8/323
D804,277	S *	12/2017	Lu	.....	D8/323
D817,146	S *	5/2018	Weldon	.....	D8/323

(Continued)

(56) **References Cited**  
U.S. PATENT DOCUMENTS

D30,189	S *	2/1899	Cross	.....	D8/349
D140,298	S *	2/1945	Wilson	.....	D8/323
D222,234	S *	10/1971	Imber	.....	D8/323
4,382,312	A *	5/1983	Liggett	.....	E05D 3/06 16/288
D335,622	S *	5/1993	Millsap	.....	D8/323
D342,662	S *	12/1993	Lavin, Sr.	.....	D8/354
6,134,751	A *	10/2000	Carrier	.....	E05D 15/44 16/235
D458,626	S *	6/2002	Desbierz-Piat	.....	D16/334
D479,116	S *	9/2003	Gross	.....	D8/349
D500,660	S *	1/2005	Larner	.....	D8/323
7,100,245	B2 *	9/2006	Wohlfarth	.....	E05D 3/10 16/367
D574,220	S *	8/2008	Svedberg	.....	D8/349
D576,472	S *	9/2008	Gaiardo	.....	D8/354
D595,122	S *	6/2009	Clarke	.....	D8/368
D624,388	S *	9/2010	Eland	.....	D8/323
7,895,713	B2	3/2011	Williams, Jr.	.....	16/387

Primary Examiner — Cynthia R Underwood  
(74) *Attorney, Agent, or Firm* — Christopher P. Maiorana, P.C.

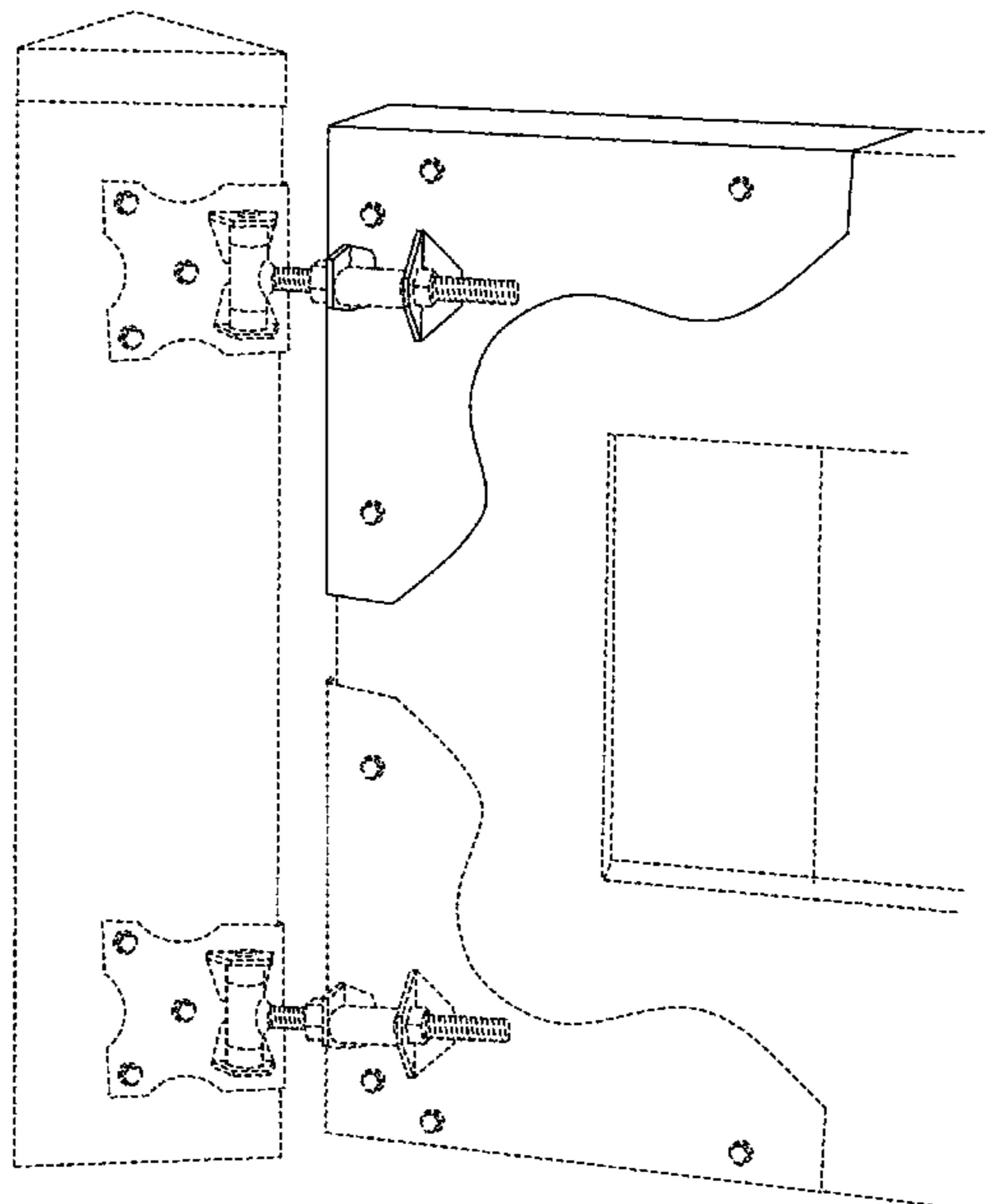
(57) **CLAIM**

The ornamental design for a fence gate bracket, as shown and described.

**DESCRIPTION**

FIG. 1 is a front perspective view of a fence gate bracket; FIG. 2 is a back perspective view of the fence gate bracket; FIG. 3 is a back-side view of the fence gate bracket; FIG. 4 is a left-side view of the fence gate bracket; and, FIG. 5 is a front-side view of the fence gate bracket. The broken lines represent an environment of use that forms no part of the claim.

**1 Claim, 3 Drawing Sheets**



(56)

**References Cited**

U.S. PATENT DOCUMENTS

D818,791 S	5/2018	Yamaguchi .....	D8/323
D825,317 S *	8/2018	Klein .....	D8/354
D826,031 S *	8/2018	Klein .....	D8/354
10,415,285 B1 *	9/2019	Anderson .....	E05D 11/08
D862,197 S *	10/2019	Brothers .....	D8/323
D864,855 S *	10/2019	Sinai .....	D13/102
D900,591 S *	11/2020	Schwarzmann .....	D8/349
2016/0040463 A1 *	2/2016	Gramstad .....	E05D 5/128
			16/382
2016/0040464 A1 *	2/2016	Lu .....	A47C 7/38
			16/250
2019/0000285 A1 *	1/2019	Xu .....	A47K 13/12

\* cited by examiner

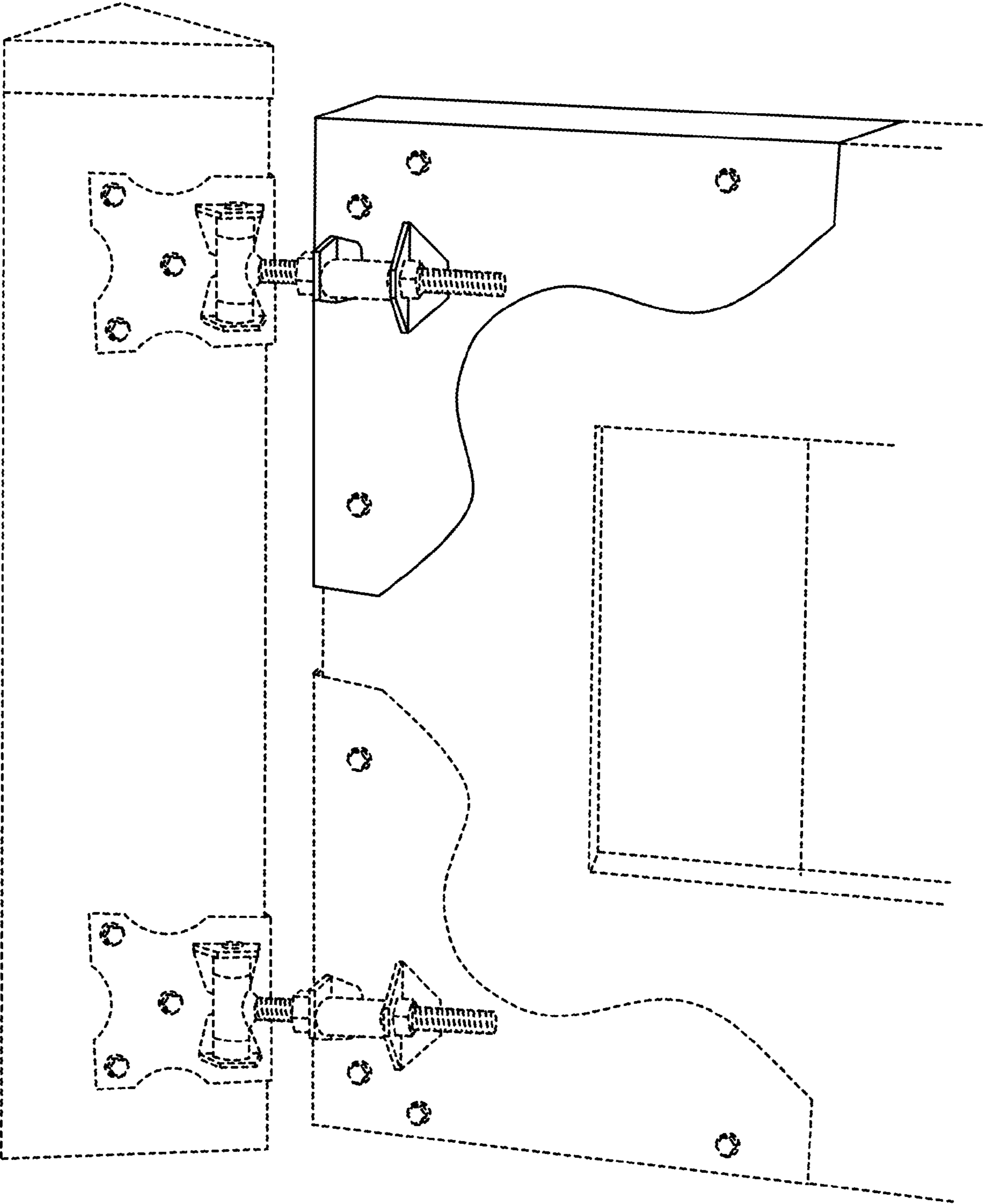


FIG. 1

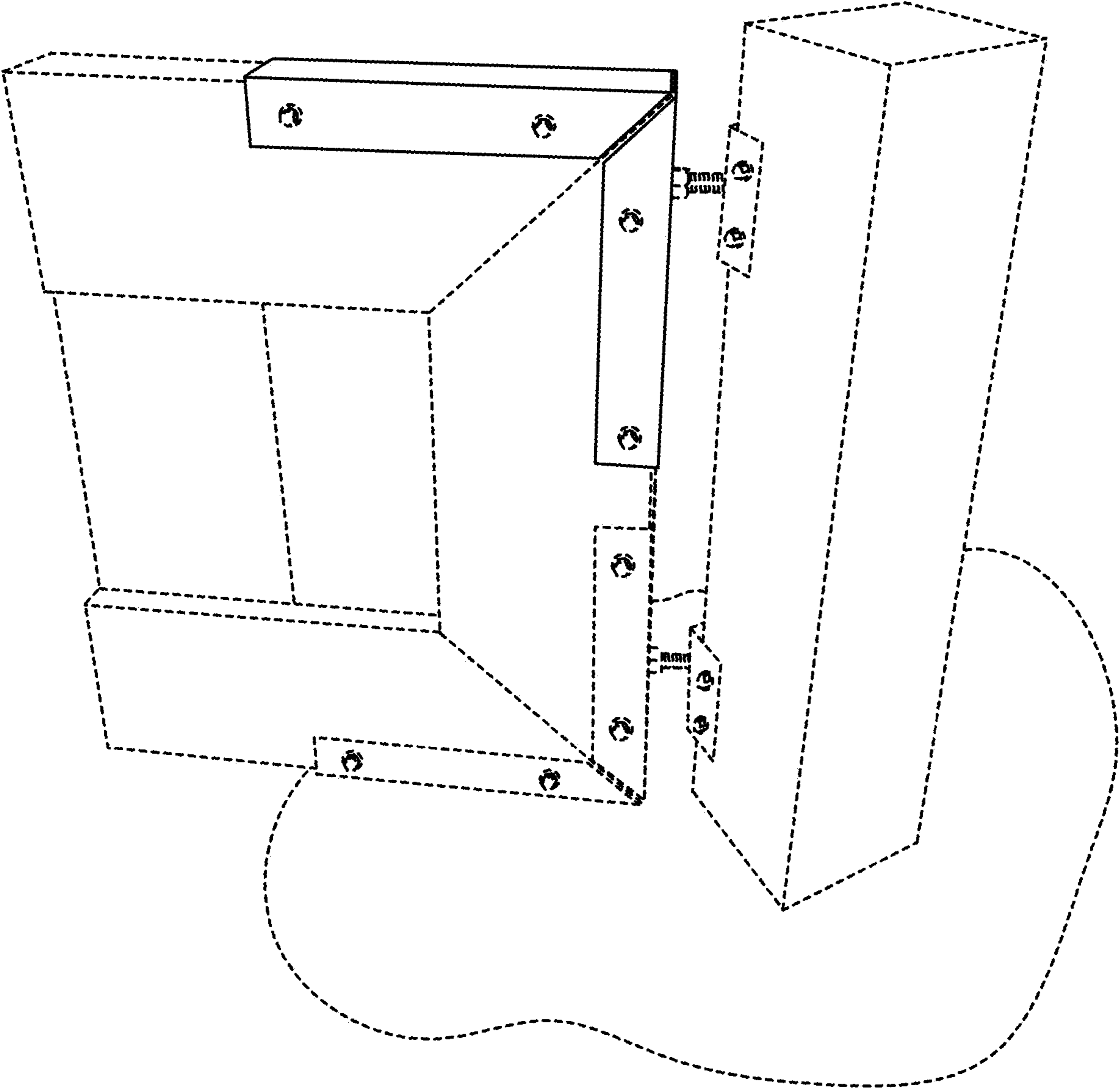


FIG. 2

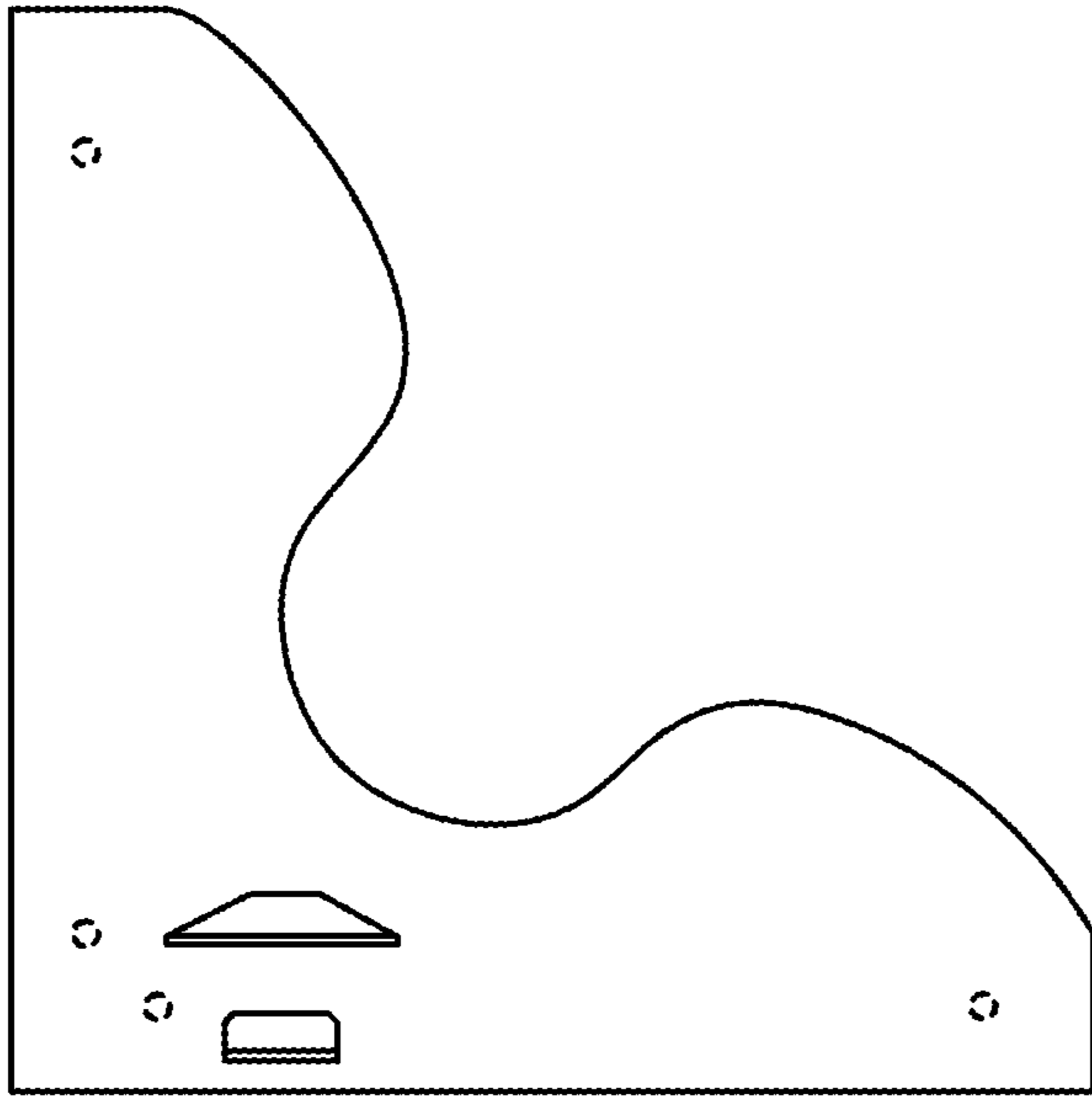


FIG. 3

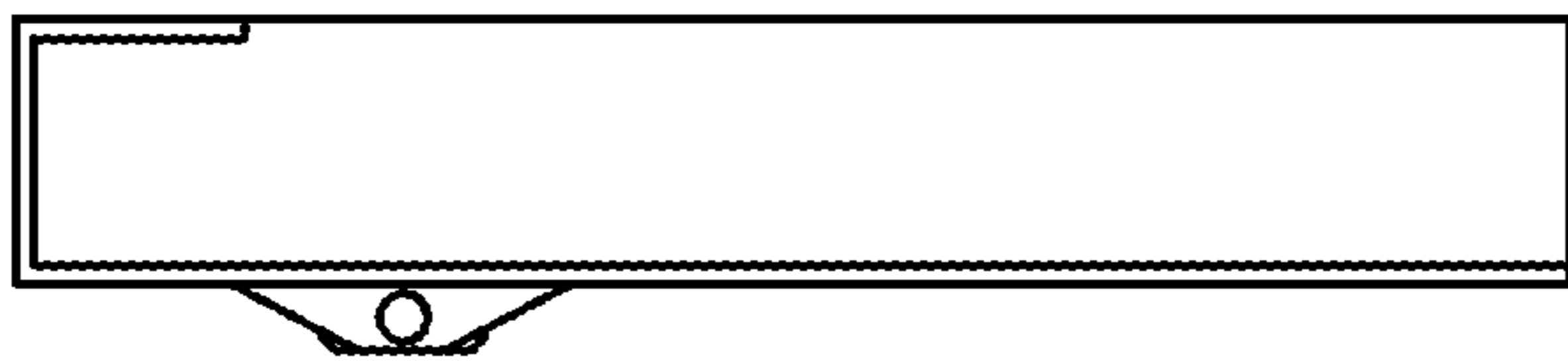


FIG. 4

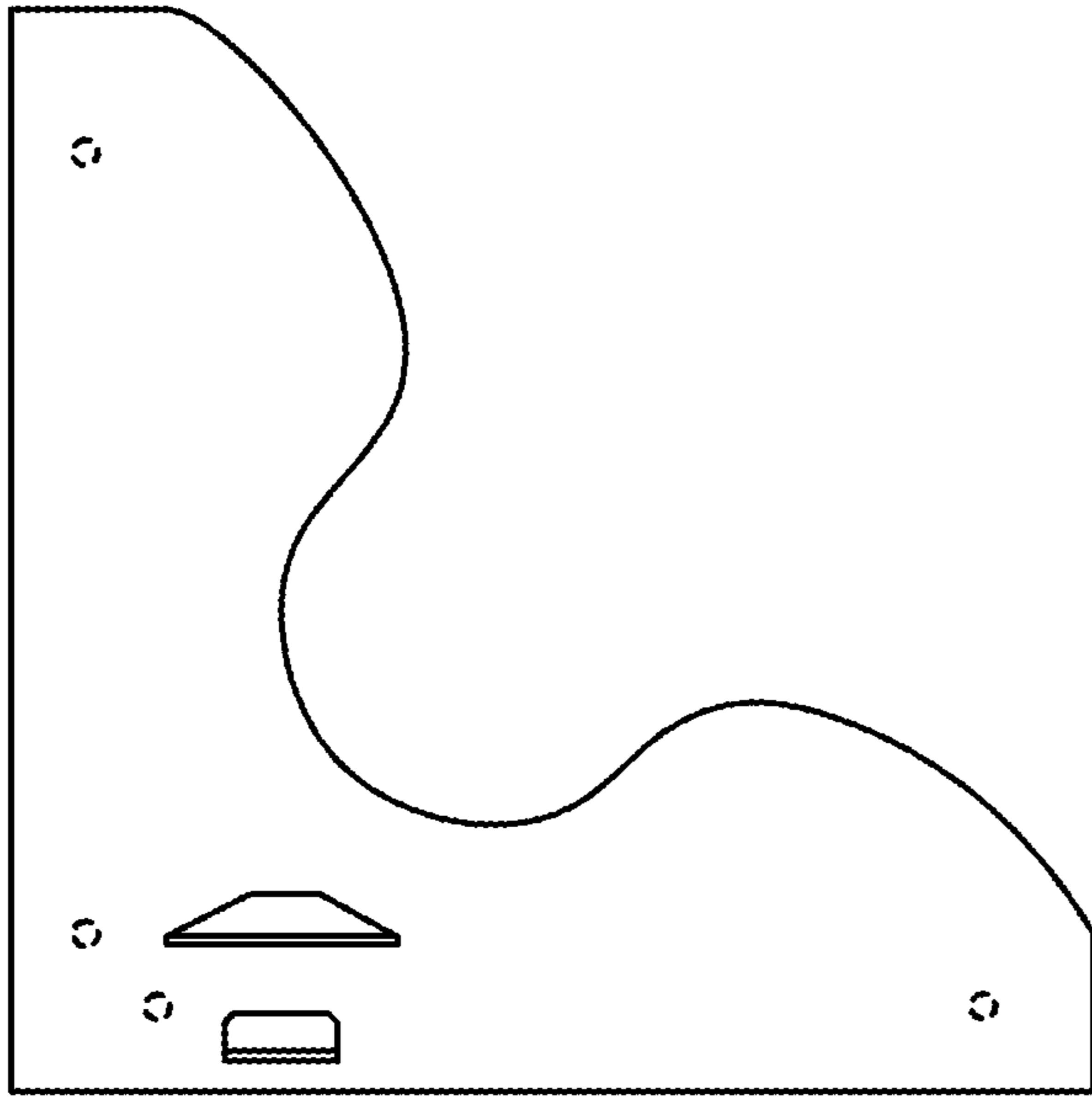


FIG. 5