



US00D924665S

(12) **United States Design Patent** (10) **Patent No.:** **US D924,665 S**  
**DeDios-Shirley et al.** (45) **Date of Patent:** **\*\* Jul. 13, 2021**

- (54) **MOUNTING APPARATUS**
- (71) Applicants: **Relina Belen DeDios-Shirley**, Reno, NV (US); **Charles Edward Shirley**, Reno, NV (US)
- (72) Inventors: **Relina Belen DeDios-Shirley**, Reno, NV (US); **Charles Edward Shirley**, Reno, NV (US)
- (73) Assignee: **HIDEIT MOUNTS, INC.**, Reno, NV (US)
- (\*\*) Term: **15 Years**
- (21) Appl. No.: **29/726,052**
- (22) Filed: **Feb. 28, 2020**
- (51) **LOC (13) Cl.** ..... **08-08**
- (52) **U.S. Cl.**  
USPC ..... **D8/349**
- (58) **Field of Classification Search**  
USPC ..... D8/349-399  
CPC ..... H05K 5/0204; H05K 7/14; F16M 13/02; H04N 5/655; H04N 5/64; G06F 1/1601; G06F 1/16; A45F 5/00; A45F 5/021; A45F 2200/0516; A45F 2200/0508; A45F 2200/0525  
See application file for complete search history.

D558,039	S	*	12/2007	Skinner	.....	D8/354
D558,040	S	*	12/2007	Skinner	.....	D8/354
D558,041	S	*	12/2007	Skinner	.....	D8/354
D732,373	S	*	6/2015	Wagner	.....	D8/349
D752,954	S	*	4/2016	Lax	.....	D8/354
D760,066	S	*	6/2016	Krenek	.....	D8/354
D767,973	S	*	10/2016	DeDios-Shirley	.....	D8/349
D830,116	S	*	10/2018	Seiders	.....	D7/388
D855,350	S	*	8/2019	Holt	.....	D6/553
D858,255	S	*	9/2019	Fox	.....	D8/354
D863,040	S	*	10/2019	DeDios-Shirley	.....	D8/354
D869,936	S	*	12/2019	Smith	.....	D8/349
D887,251	S	*	6/2020	Fox	.....	D8/354
D891,230	S	*	7/2020	Fox	.....	D8/354
D893,287	S	*	8/2020	Wendling	.....	D8/371
D897,821	S	*	10/2020	Harms	.....	D8/349
D901,404	S	*	11/2020	Ice	.....	D13/179
D910,419	S	*	2/2021	Cox	.....	D8/349

\* cited by examiner

*Primary Examiner* — Mark A Goodwin  
*Assistant Examiner* — Benjamin M Weeks

(57) **CLAIM**

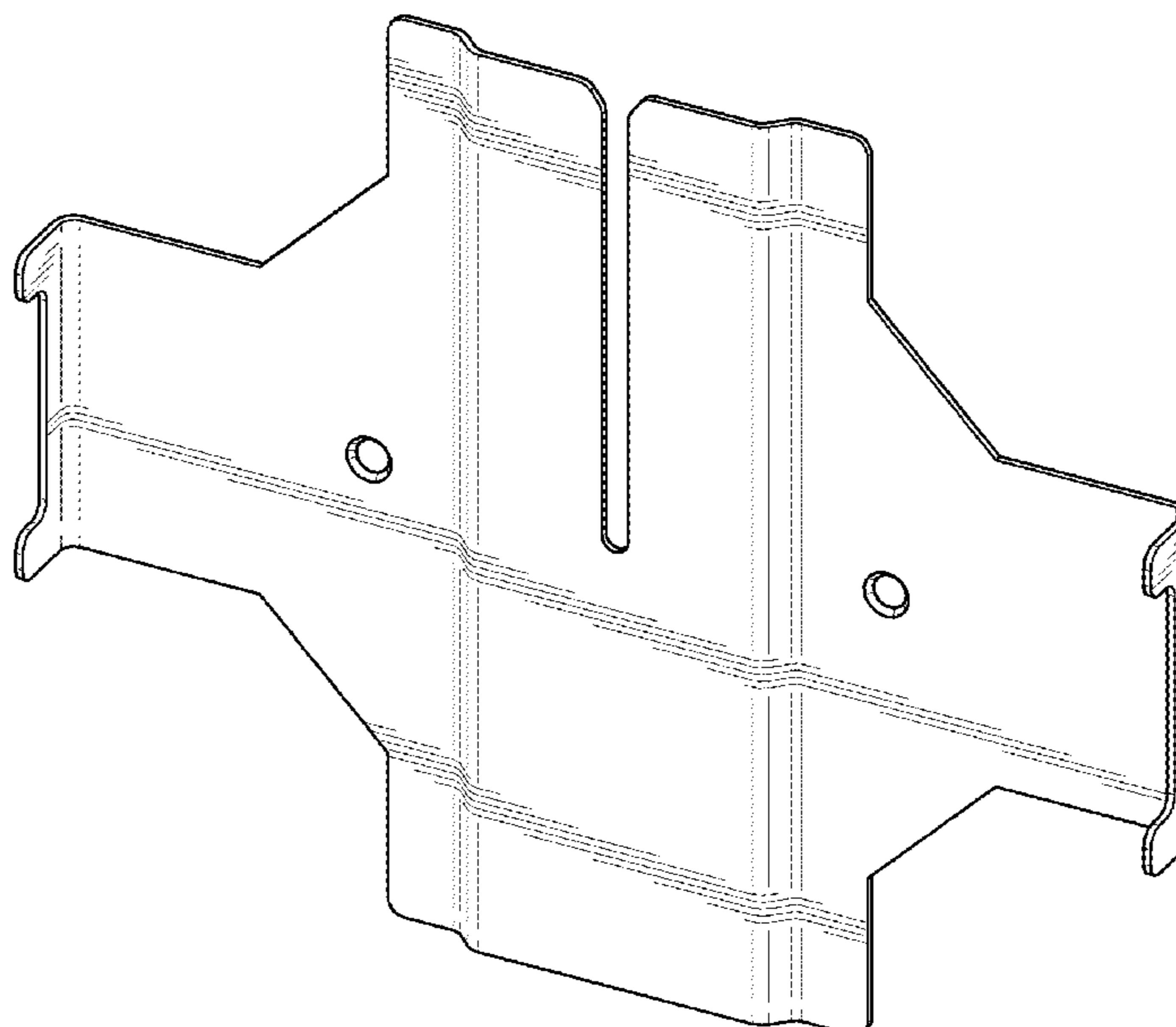
The ornamental design for a mounting apparatus, as shown and described.

**DESCRIPTION**

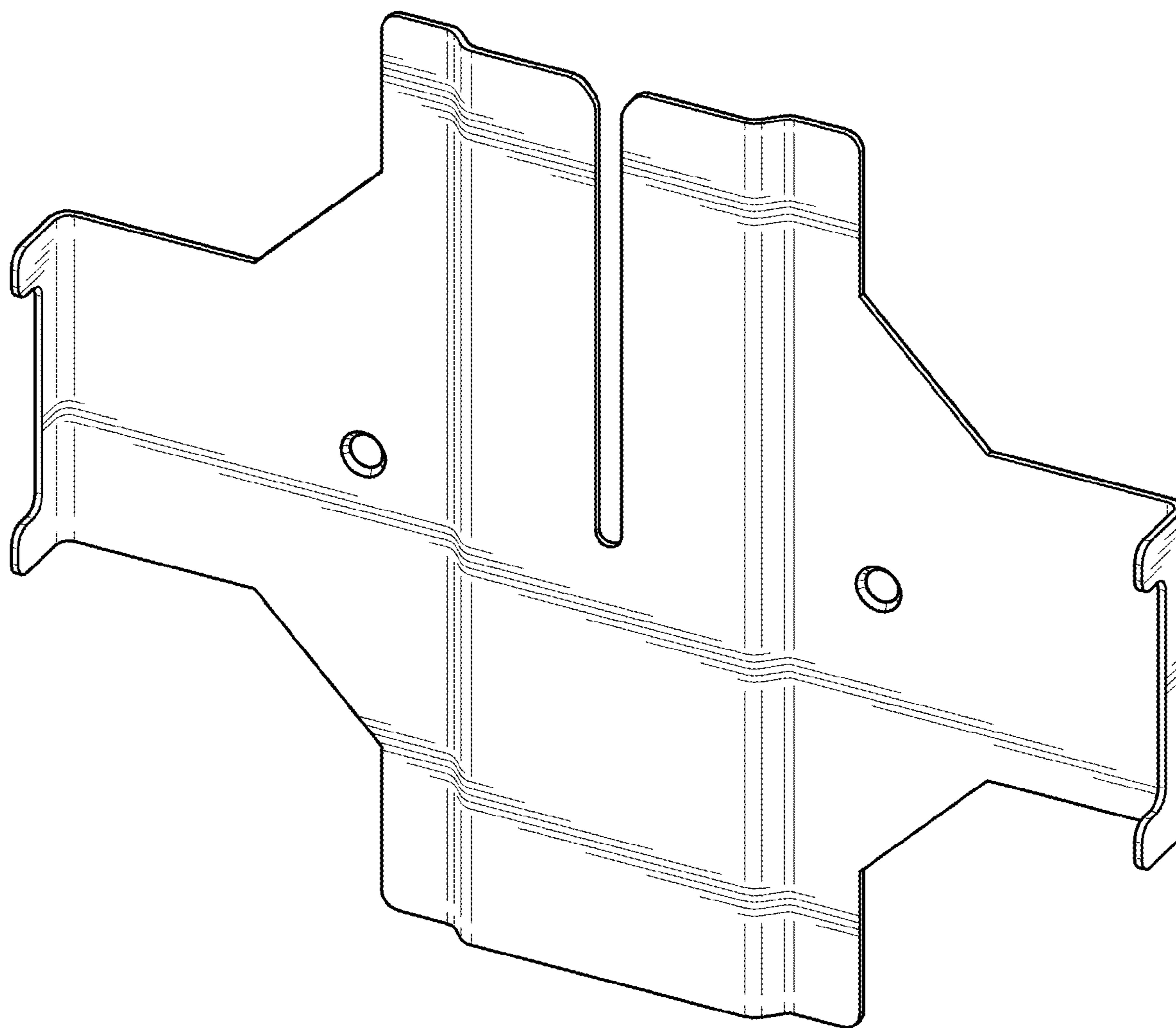
FIG. 1 is a perspective view of the mounting apparatus showing our new design;  
 FIG. 2 is a front elevational view of the mounting apparatus shown in FIG. 1;  
 FIG. 3 is a top plan view of the mounting apparatus shown in FIG. 1;  
 FIG. 4 is a back elevational view of the mounting apparatus shown in FIG. 1;  
 FIG. 5 is a bottom plan view of the mounting apparatus shown in FIG. 1; and,  
 FIG. 6 is a side elevational view of the mounting apparatus shown in FIG. 1.

**1 Claim, 4 Drawing Sheets**

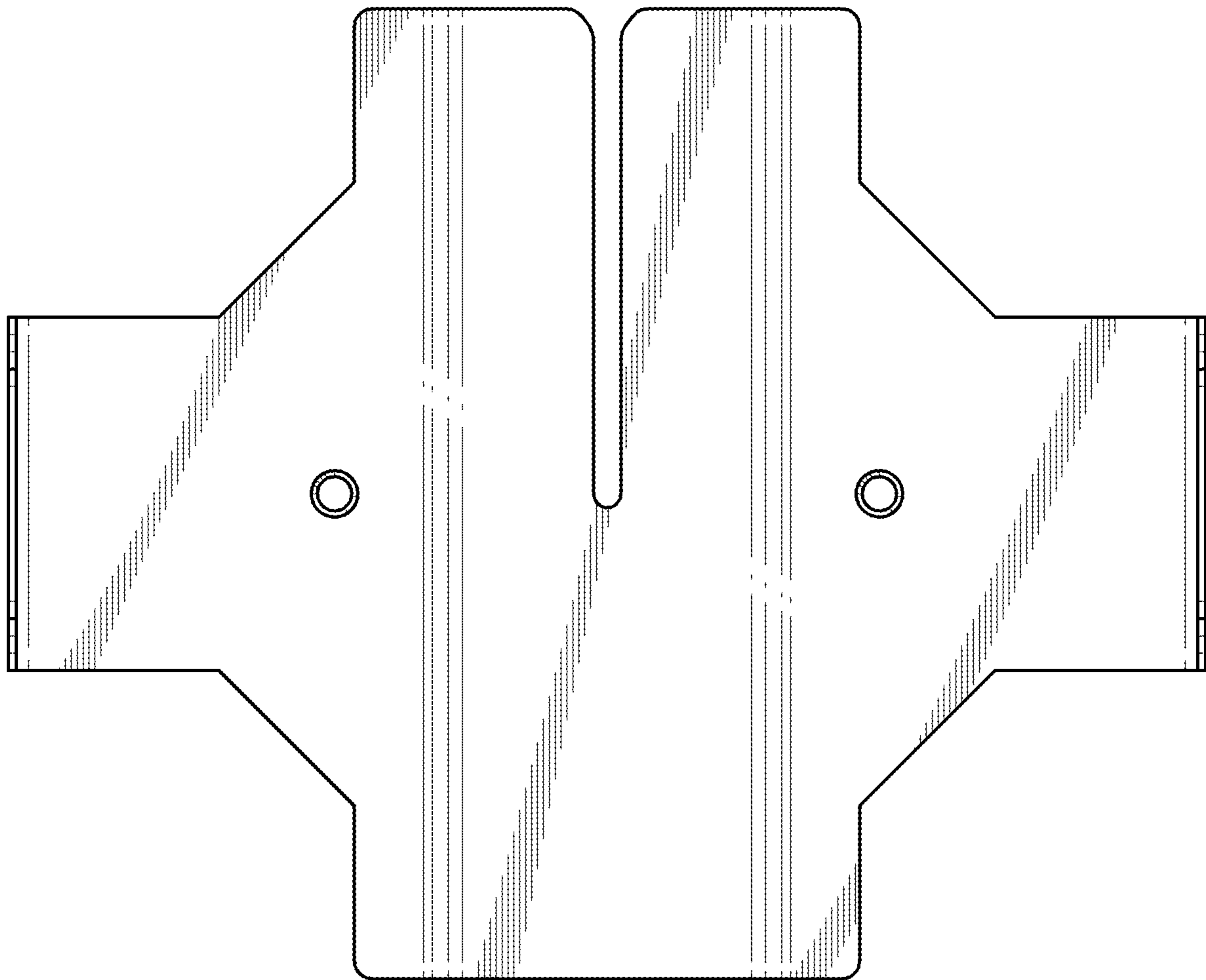
- (56) **References Cited**  
U.S. PATENT DOCUMENTS
- D326,604 S \* 6/1992 Stubbersfield ..... D8/373
- D364,794 S \* 12/1995 Eberschlag ..... D8/354
- D395,746 S \* 7/1998 Barackman ..... D3/201
- D409,077 S \* 5/1999 Brooks ..... D8/354
- D437,282 S \* 2/2001 Joll ..... D12/223
- D511,086 S \* 11/2005 Craine ..... D8/354
- D513,171 S \* 12/2005 Richardson ..... D25/133
- D523,735 S \* 6/2006 Craine ..... D8/354



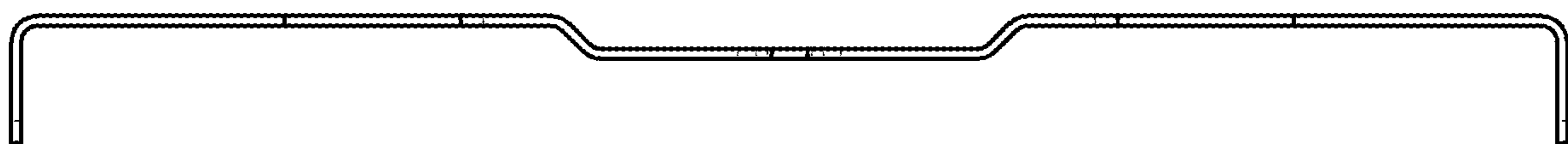
**FIG. 1**



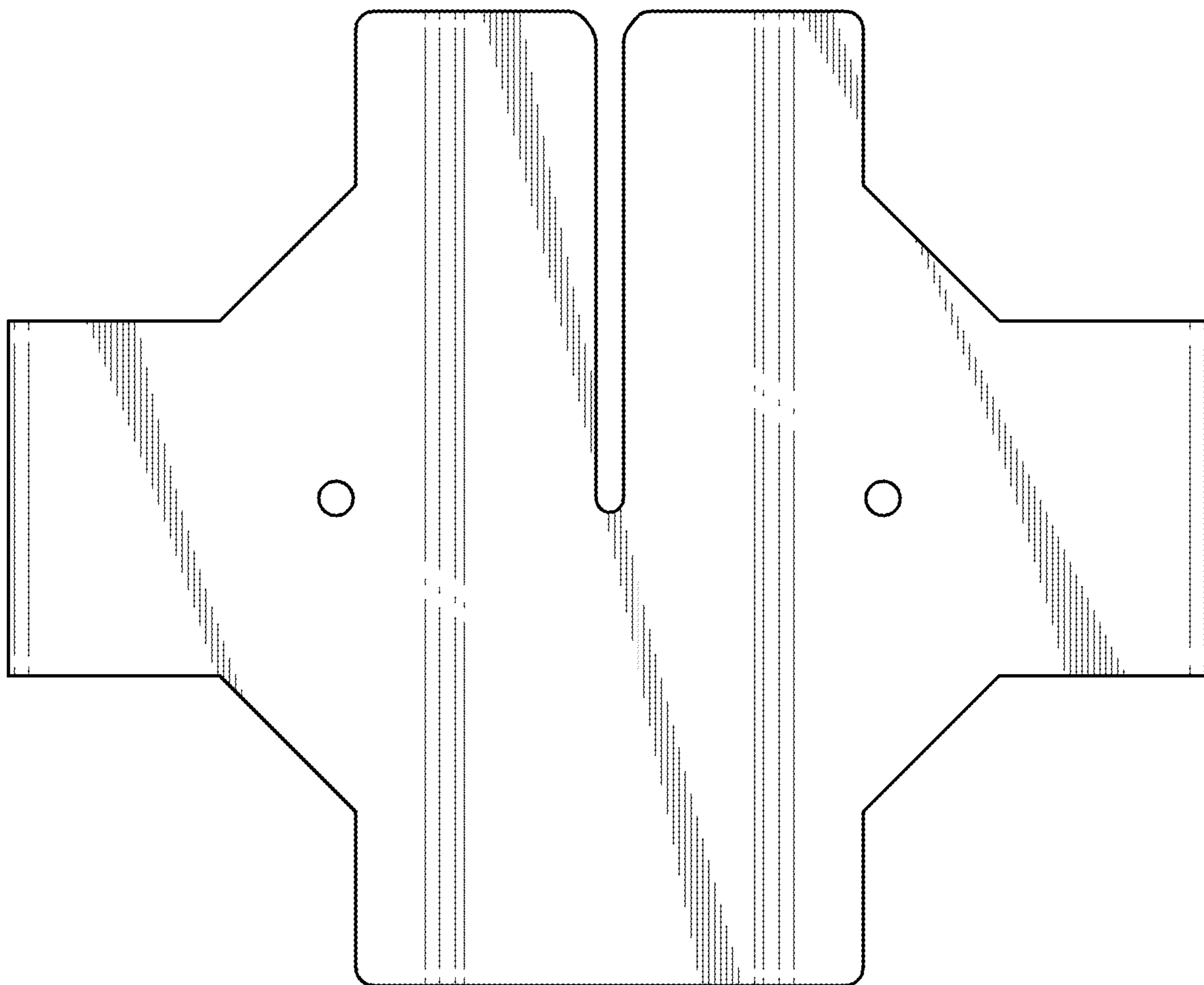
*FIG. 2*



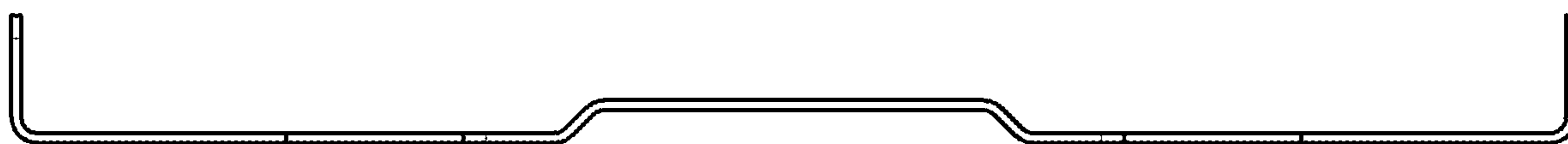
*FIG. 3*



**FIG. 4**



**FIG. 5**



**FIG. 6**

