



US00D924664S

(12) **United States Design Patent** (10) **Patent No.:** **US D924,664 S**
Patel (45) **Date of Patent:** **** Jul. 13, 2021**

(54) **DOOR LOCK INSTALLATION JIG**

(71) Applicant: **Harshit N. Patel**, Des Plaines, IL (US)

(72) Inventor: **Harshit N. Patel**, Des Plaines, IL (US)

(73) Assignee: **Nomis LLC**, Palatine, IL (US)

(**) Term: **15 Years**

(21) Appl. No.: **29/691,988**

(22) Filed: **May 21, 2019**

(51) **LOC (13) Cl.** **08-07**

(52) **U.S. Cl.**
USPC **D8/343; D8/72**

(58) **Field of Classification Search**
USPC D8/330-333, 336, 338, 343-346,
D8/300-302, 306-329; 408/103, 115 B;
33/163; 292/337, 340-346, 180; 70/91,
70/277, 336, 280
CPC ... B23B 47/287; B23B 47/28; B23B 2247/06;
B23B 2260/004; E05B 17/06; E05B
69/003; E05B 71/00; E05B 73/005; E05B
17/142; E05B 17/14; E05B 2047/0086;
E05B 51/00; E05B 35/00; E05B 39/00;
E05B 47/0001; E05B 65/44; E05B 65/46;
E05B 65/462; E05B 65/463; E05B
65/461; E05B 65/464; E05B 65/466;
E05B 65/469; E05B 13/001; E05B
13/007; E05B 13/00; E05B 13/10; E05B
47/0011; E05B 47/00; E05B 41/00; E05B
47/06; E04F 21/003; E04F 21/00; G07C
9/00563; Y10T 70/5155; Y10T 70/5199;
Y10T 408/567; Y10T 408/563; Y10T
2260/004; Y10T 408/03

See application file for complete search history.

(56) **References Cited**

U.S. PATENT DOCUMENTS

917,488 A 4/1909 Roberts
1,224,302 A 5/1917 Johnson
1,400,898 A 12/1921 Murdock
1,630,429 A 5/1927 Hobbisiefken

(Continued)

FOREIGN PATENT DOCUMENTS

CN 303632694 * 11/2015
CN 306282809 * 6/2020

(Continued)

OTHER PUBLICATIONS

Ryobi, A99DLK4 Door Lock Installation Kit, Date first available Nov. 25, 2014, [online]retrieved Mar. 1, 2021,available from https://www.amazon.com/Ryobi-A99DLK4-Installation-Installing-Deadbolts/dp/B018A2WDPO/ref=pd_sbs_5?pd_rd_w=h7LDf&pf_rd_p=527ea27c-adf6-4b67-9c5f-265eb29e0622&pf_rd_r=Q GK5AKDAQFW5W68K1337& (Year: 2014).*

(Continued)

Primary Examiner — Keli L Hill

Assistant Examiner — Sara S Sahneh

(74) *Attorney, Agent, or Firm* — Reinhart Boerner Van Deuren P.C.

(57) **CLAIM**

The ornamental design for a door lock installation jig, as shown and described.

DESCRIPTION

FIG. 1 is a perspective view of the door lock installation jig; FIG. 2 is a side view of the door lock installation jig; FIG. 3 is a side view of the door lock installation jig showing the side opposite that shown in FIG. 2;

(Continued)

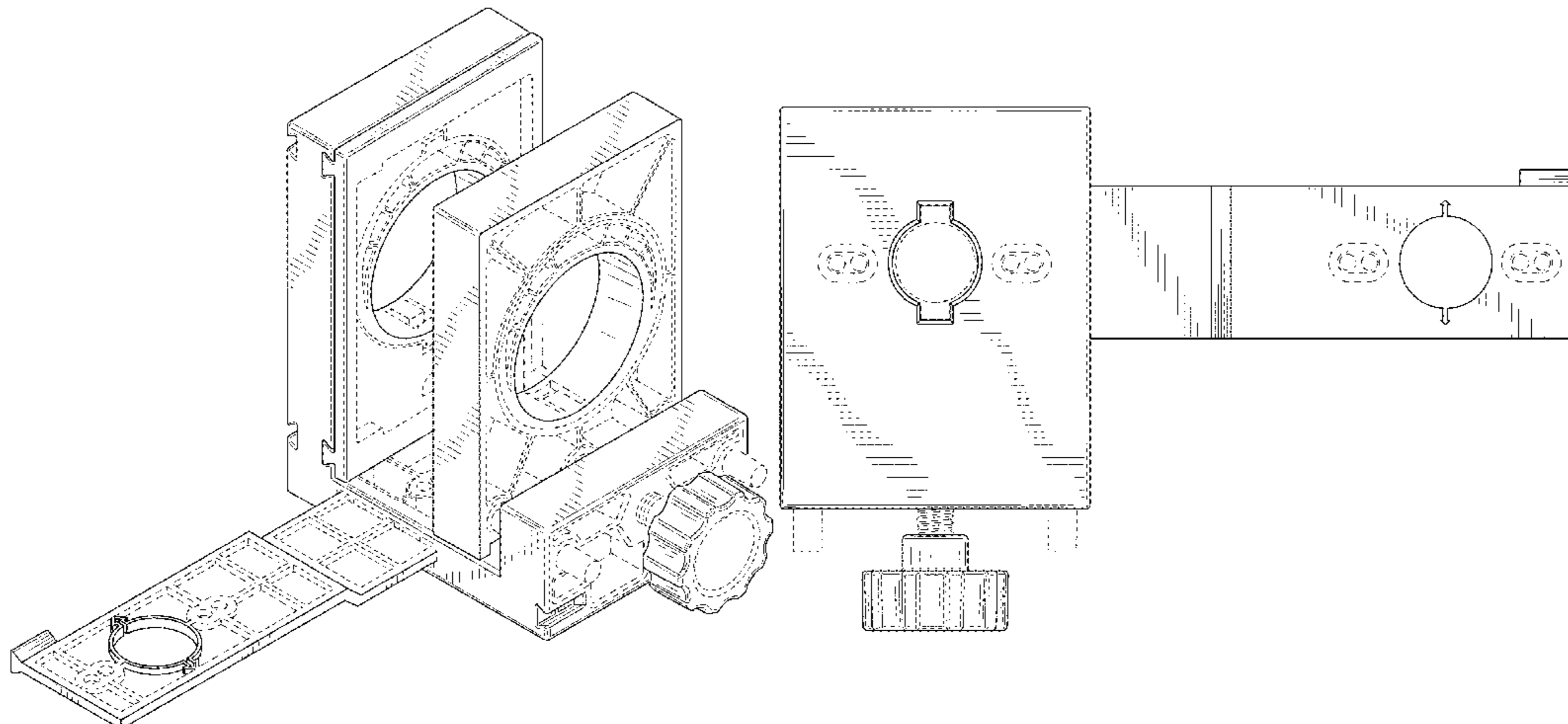


FIG. 4 is a front view of the door lock installation jig; FIG. 5 is a rear view of the door lock installation jig; FIG. 6 is a top view of the door lock installation jig; and, FIG. 7 is a bottom view of the door lock installation jig. The broken lines shown are included for the purpose of illustrating portions of the door lock installation jig that form no part of the claim.

1 Claim, 7 Drawing Sheets

(56)

References Cited

U.S. PATENT DOCUMENTS

2,659,159	A	11/1953	Jarrett et al.	
2,843,167	A	6/1956	Rushton	
3,082,800	A	3/1963	Soss	
3,206,861	A	9/1965	Damijonaitis et al.	
4,058,902	A	11/1977	Hall	
4,130,930	A *	12/1978	Webster	E05B 17/06 144/3.1
4,199,060	A	4/1980	Howard	
4,248,554	A *	2/1981	Boucher	B23B 47/28 408/108
4,280,776	A	7/1981	Chaconas et al.	
4,306,823	A	12/1981	Nashlund	
4,715,125	A	12/1987	Livick	
4,813,826	A	3/1989	Riedel	
4,815,215	A	3/1989	Saylor et al.	
5,042,543	A	8/1991	Carey	
5,146,961	A	9/1992	Schoeller	
D335,089	S	4/1993	Grubelnik	
5,222,845	A	6/1993	Goldstein et al.	
D346,337	S	4/1994	Carey	
D356,271	S *	3/1995	Adamik	D10/62
5,511,312	A	4/1996	Hobbs	
5,524,684	A	6/1996	Stuckel	
D372,433	S	8/1996	Brutscher et al.	
5,569,001	A	10/1996	Brutscher et al.	
5,573,352	A	11/1996	Matadobra	
D395,246	S	6/1998	Carey	
5,762,115	A	6/1998	Shouse	
5,915,891	A	6/1999	Fridman	
D415,046	S	10/1999	Carey	
6,077,001	A	6/2000	Fetzer	
6,193,449	B1	2/2001	Diaz	
6,343,632	B1	2/2002	Zivojinovic	
6,390,738	B1	5/2002	Fridman	
6,910,837	B2	6/2005	Trettin et al.	
6,954,989	B1	10/2005	Morton	
6,994,498	B2	2/2006	Trettin et al.	
D516,401	S	3/2006	Snider et al.	
D516,891	S *	3/2006	Thomas	D8/70
7,073,991	B2	7/2006	Thomas	
7,210,880	B2	5/2007	Snider et al.	
7,356,902	B2	4/2008	Snider et al.	
7,421,791	B2	9/2008	Adkins et al.	
7,530,770	B2	5/2009	Chao	
8,443,523	B2	5/2013	Lam et al.	
9,284,747	B2	3/2016	Ward	
9,403,219	B2	8/2016	Trettin et al.	
2003/0056331	A1	3/2003	Garner	
2004/0182476	A1	9/2004	Karkosch et al.	
2005/0105979	A1	5/2005	Snider et al.	

2005/0129472	A1 *	6/2005	Liu	E05B 17/06 408/115 R
2005/0210690	A1 *	9/2005	Morton	E05B 17/06 33/194
2005/0220548	A1 *	10/2005	Thomas	E05B 17/06 408/103
2007/0041800	A1 *	2/2007	Santos	B23B 51/0426 408/115 R
2007/0086866	A1 *	4/2007	Shute	E05B 17/06 408/1 R
2011/0255928	A1 *	10/2011	Ferreras	B23B 47/28 408/115 B
2014/0064867	A1 *	3/2014	Trettin	B23B 47/287 408/103
2014/0366395	A1 *	12/2014	Ward	E04F 21/003 33/613
2020/0141153	A1 *	5/2020	Sawa	E05B 17/06

FOREIGN PATENT DOCUMENTS

EM	000379334-0001	*	8/2005
EM	000379334-0002	*	8/2005
KR	301052178.0000	*	12/2019
KR	3020200001523	*	9/2020

OTHER PUBLICATIONS

MIBRO, Deadbolt Installation Kit, Date first available Aug. 4, 2005, [online]retrieved Mar. 1, 2021, available from https://www.amazon.com/MIBRO-300681-Carbon-Deadbolt-Installation/dp/B000HE57KM/ref=psdc_511316_t1_B000BOPE56 (Year: 2005).*

IRWIN, Tools Door Lock Installation Kit, Date first available Apr. 1, 2004, [online]retrieved Mar. 1, 2021, available from https://www.amazon.com/IRWIN-Tools-Bi-Metal-Installation-3111002/dp/B0009R1EW2/ref=pd_lpo_469_t_1/147-7623955-4682609?_encoding=UTF8&pd_rd_i=B0009R1EW2&pd_rd_r=5f0e5887-3e06-42ac-8c23-88f (Year: 2004).*

Porter Cable Professional Power Tools, Porter Cable Hinge Butt Templet 59380 59381, manual, 1999, 1 page.

Sears Craftsman, Butt Hinge Template Model 2564, manual, 4 pages.

Lenox 4-Pack Set Bi-Metal Non-Arbored Hole Saw, pages printed from the internet; known at least as early as Jul. 2019, <https://www.lowes.com/pd/LENOX-4-Pack-Set-Bi-metal-Non-arbored-Hole-Saw/1000607935>.

Dewalt Bi-Metal Non-Arbored Hole Saw Set, pages printed from the internet; known at least as early as Jul. 2019, <https://www.lowes.com/pd/DEWALT-Bi-metal-Non-arbored-Hole-Saw-Set/1013925>.

Irwin 7-Piece Carbon Hole Saw Kit, pages printed from the internet; known at least as early as Jul. 2019, <https://www.lowes.com/pd/IRWIN-7-Piece-Carbon-Hole-Saw-Kit/1000236999>.

Craftsman 6-Piece Bi-Metal Arbored Door Lock Kit Set, pages printed from the internet; known at least as early as Jul. 2019, <https://www.lowes.com/pd/CRAFTSMAN-6-Piece-Bi-metal-Arbored-Door-Lock-Kit-Set/1000767092>.

Door Lock Installation Kits—Google Search, pages printed from the internet; known at least as early as Jul. 2019, https://www.google.com/search?rlz=1C1GCEU_enUS821US821&biw=1280&bih=651&tbm=isch&sa=1&ei=LWAnXcvtLZXbtAbk_5awAQ&q=door+lock+installation+kits&oq=door+lock+installation+kits&gs_l=img.12..0i24.13764.20870..23191...2.0..0.68.840.15.....0....1..gws-wiz-img.....35i39.TV0pxgYtuxw#spf=1566405063747.

* cited by examiner

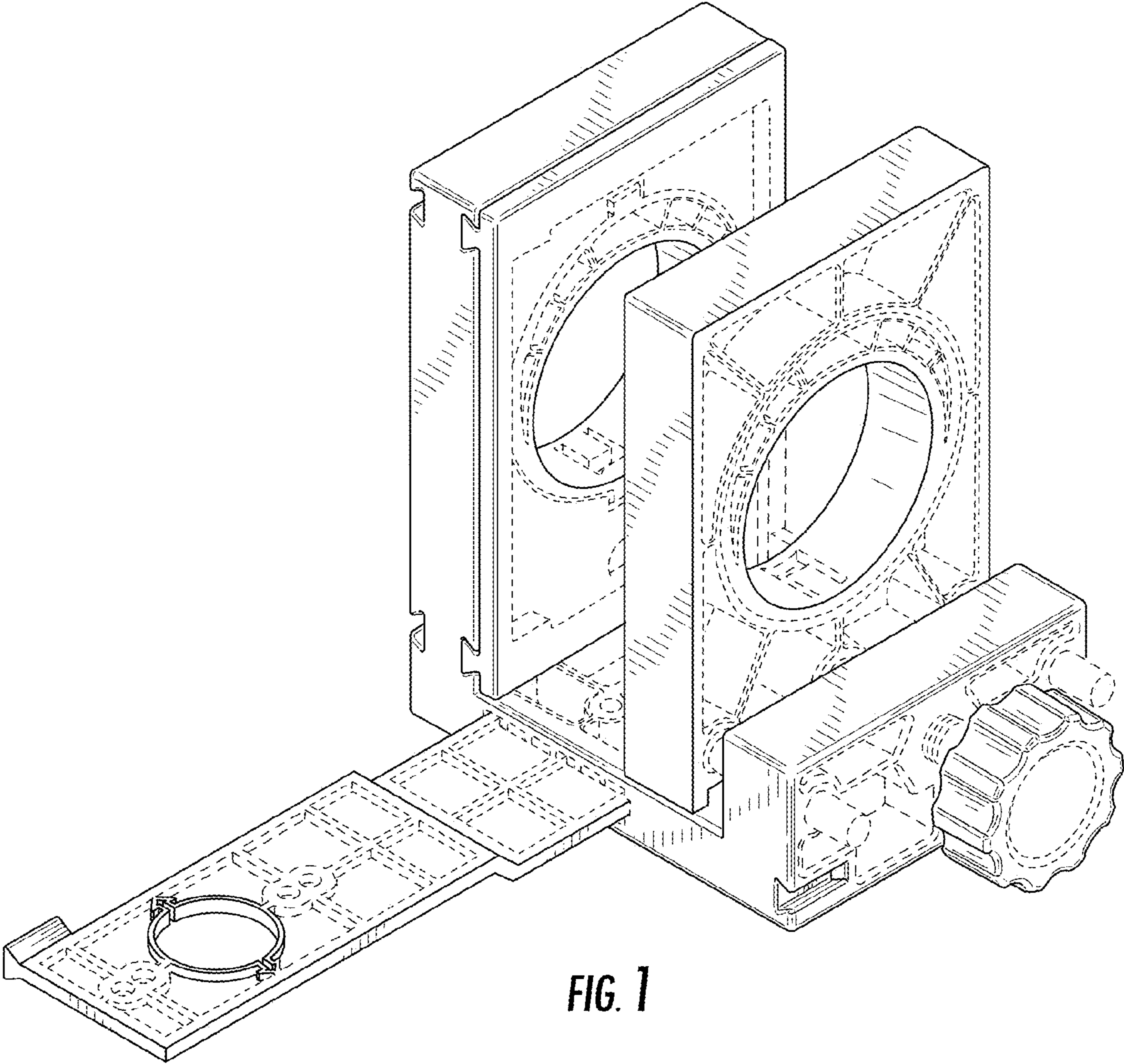


FIG. 1

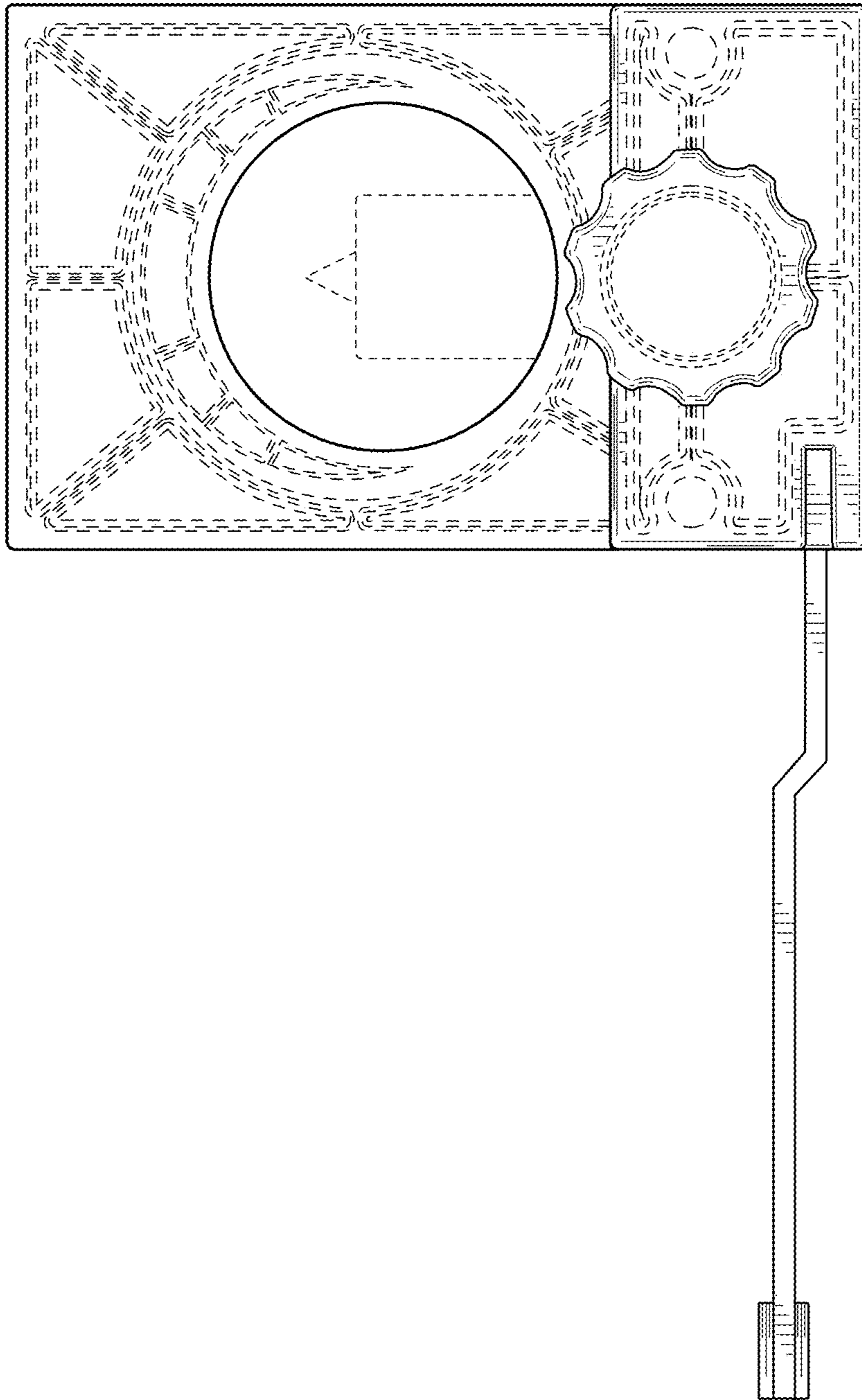


FIG. 2

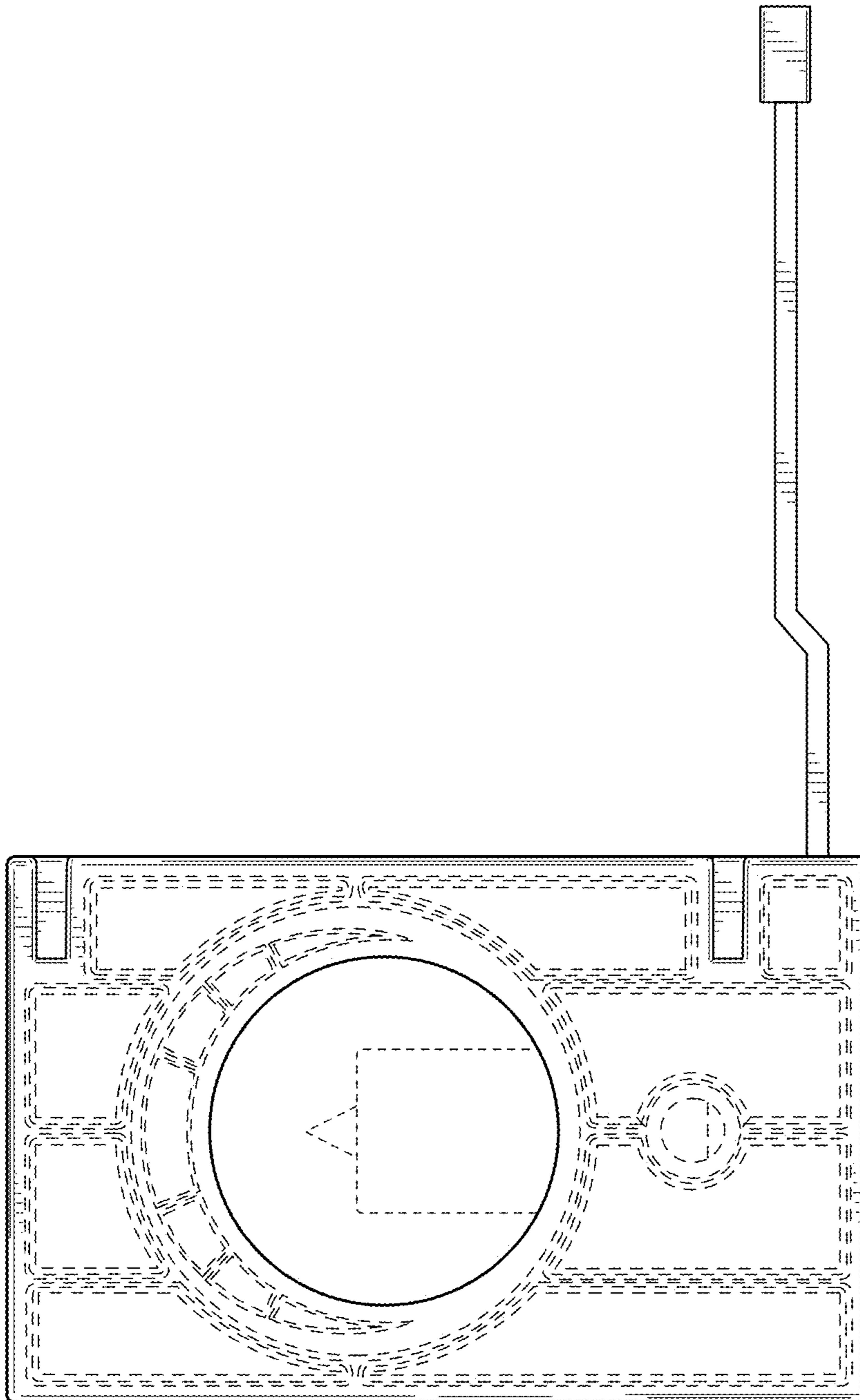


FIG. 3

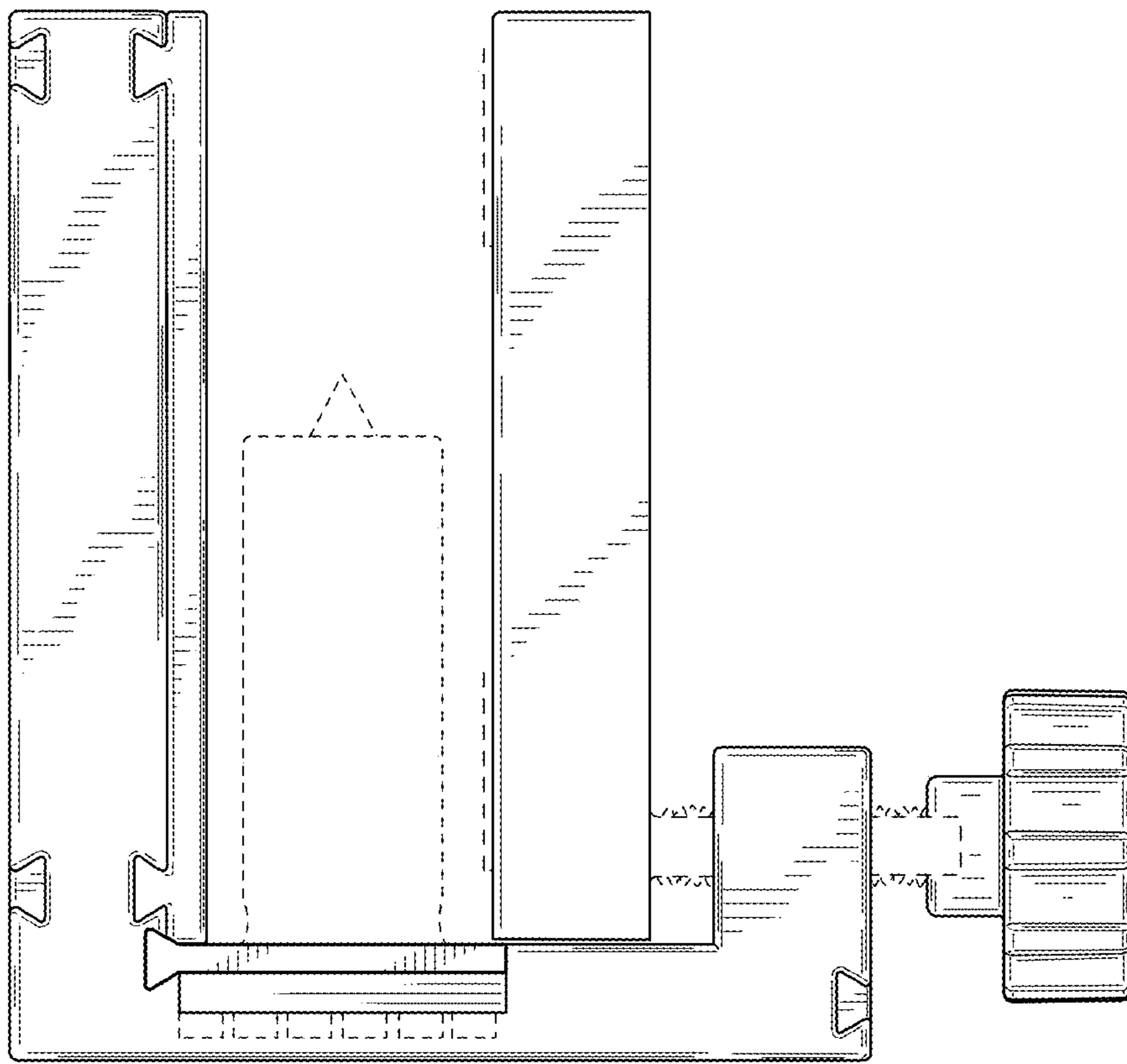


FIG. 4

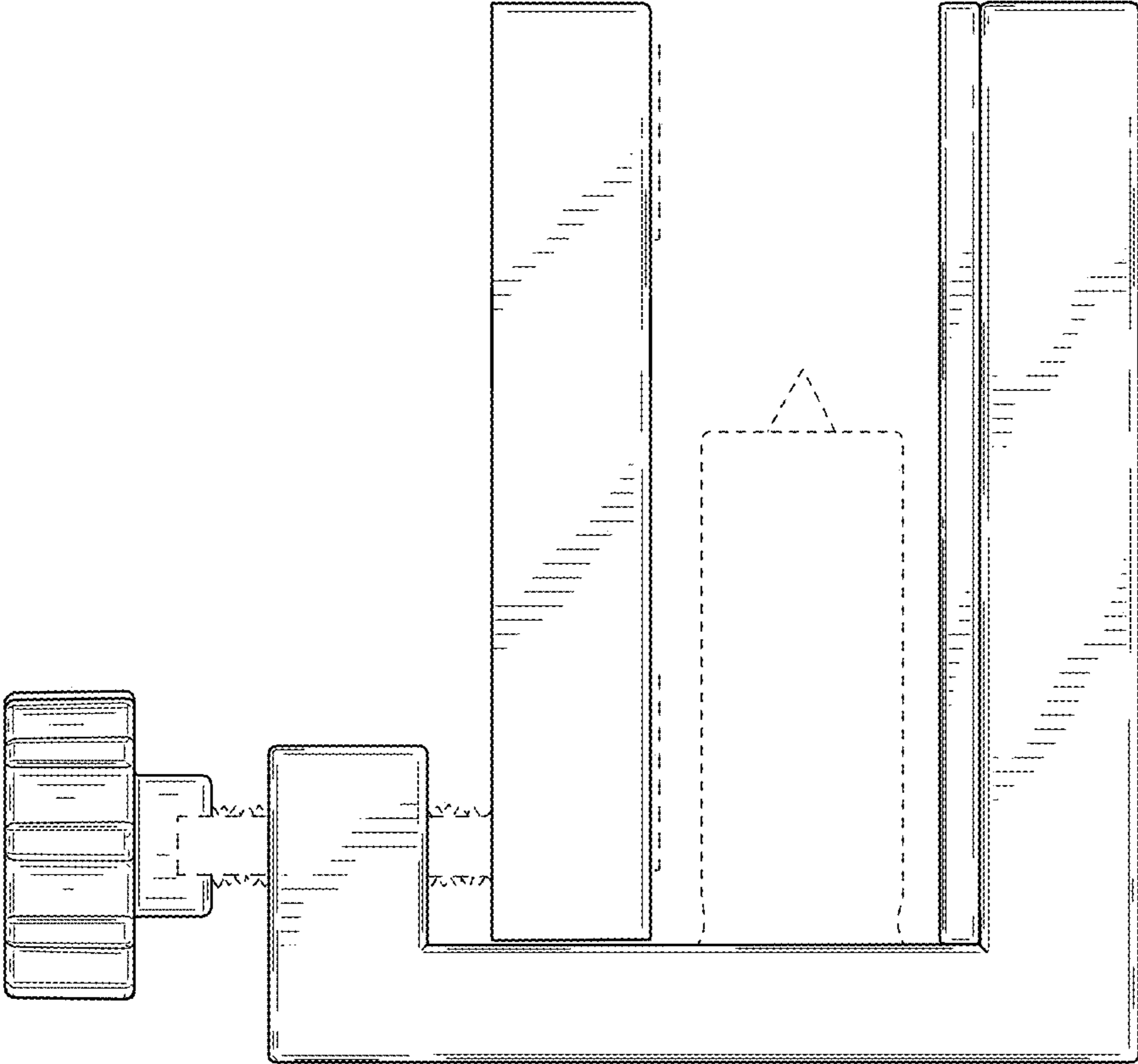


FIG. 5

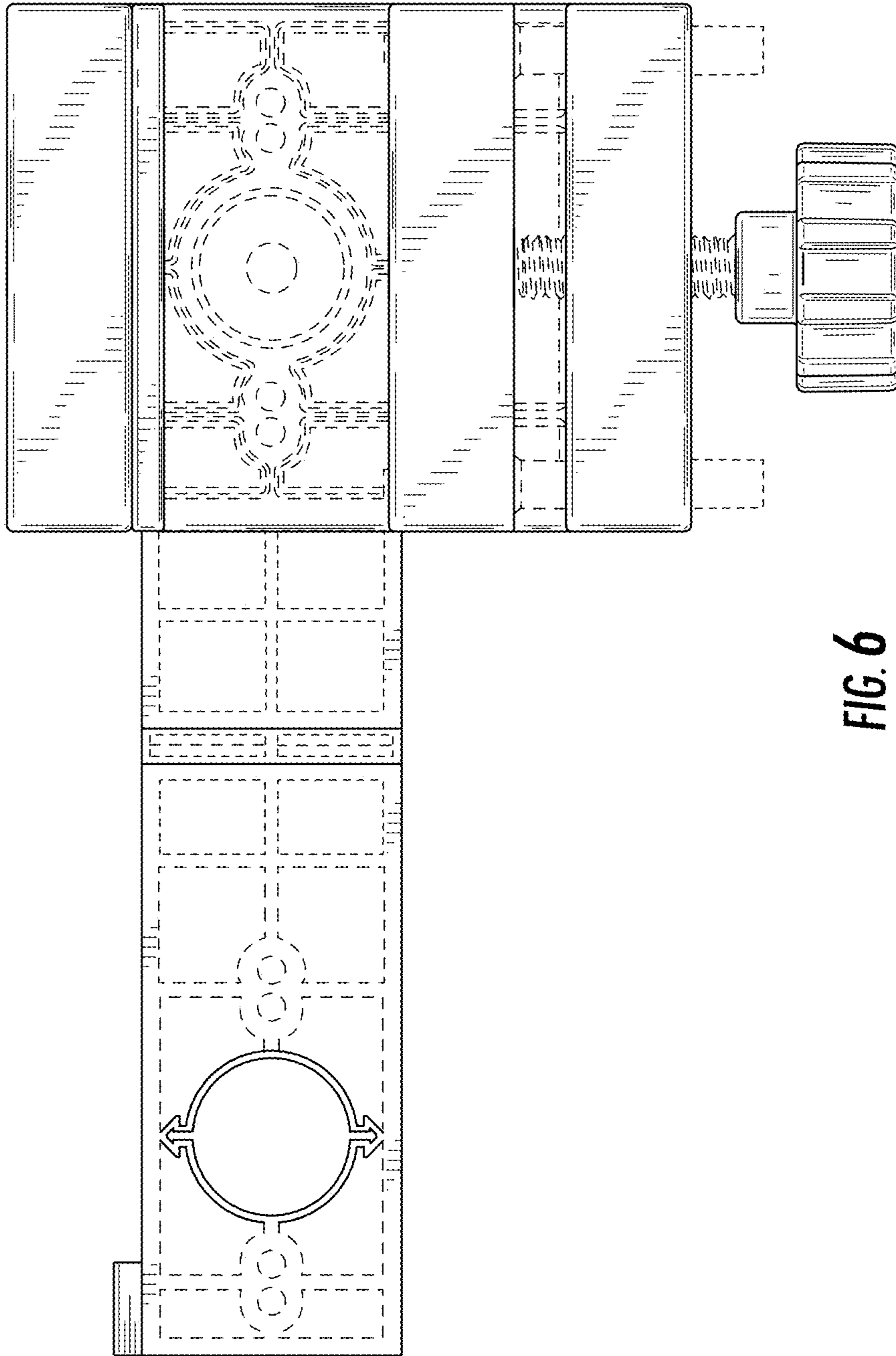


FIG. 6

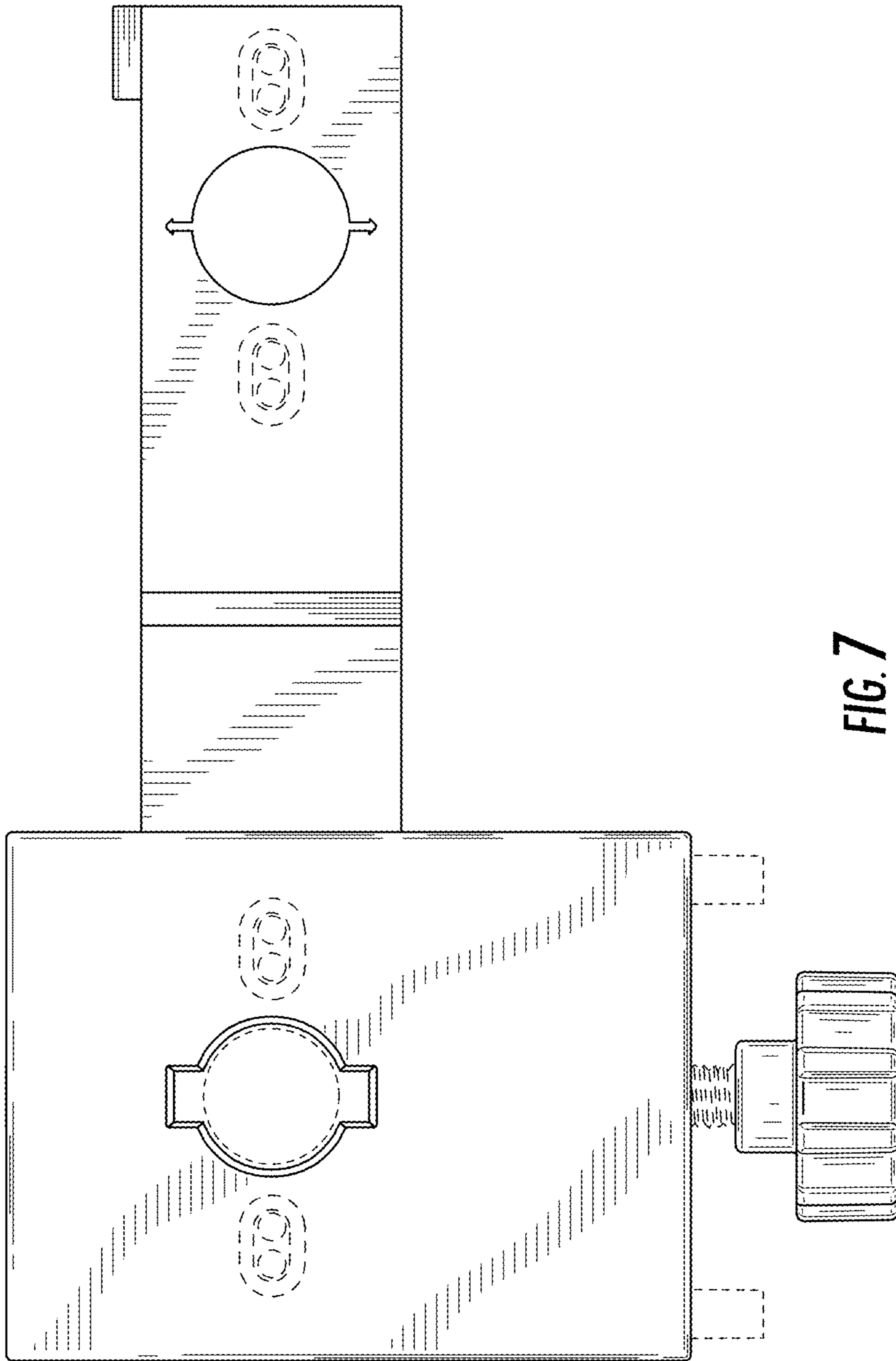


FIG. 7