



US00D924663S

(12) **United States Design Patent**
Spurrier et al.

(10) **Patent No.:** **US D924,663 S**

(45) **Date of Patent:** **** Jul. 13, 2021**

(54) **HANDLE**

(71) Applicant: **Electrolux Home Products, Inc.**,
Charlotte, NC (US)

(72) Inventors: **Alexander Paul Spurrier**, Charlotte,
NC (US); **Christopher Shaw Burch**,
Portland, OR (US)

(73) Assignee: **Electrolux Home Products, Inc.**,
Charlotte, NC (US)

(**) Term: **15 Years**

(21) Appl. No.: **29/712,740**

(22) Filed: **Nov. 11, 2019**

(51) **LOC (13) Cl.** **08-06**

(52) **U.S. Cl.**
USPC **D8/316; D15/89**

(58) **Field of Classification Search**
USPC D8/300-301, 313, 314, 315-318;
D15/89; D32/3
CPC . A47B 95/02; A47B 88/944; A47B 2095/024;
A47B 88/941; A47B 88/40; Y10T 16/462
See application file for complete search history.

(56) **References Cited**

U.S. PATENT DOCUMENTS

D182,558 S * 4/1958 Willman D8/313
2,961,694 A * 11/1960 May F16B 7/048
16/412

D228,060 S * 8/1973 Horgan, Jr. D8/320
5,466,058 A * 11/1995 Chan A47B 87/007
312/111
5,997,118 A * 12/1999 McBrayer A47B 17/003
312/334.44
D604,141 S * 11/2009 Reed D8/313
8,820,864 B2 * 9/2014 Crookshanks F25D 25/022
312/404
D743,642 S * 11/2015 Lee D32/3
D900,587 S * 11/2020 Clements D8/316
2009/0219701 A1 * 9/2009 Wu H05K 7/1494
361/727

* cited by examiner

Primary Examiner — Lauren R Calve

(74) *Attorney, Agent, or Firm* — Banner & Witcoff, Ltd.

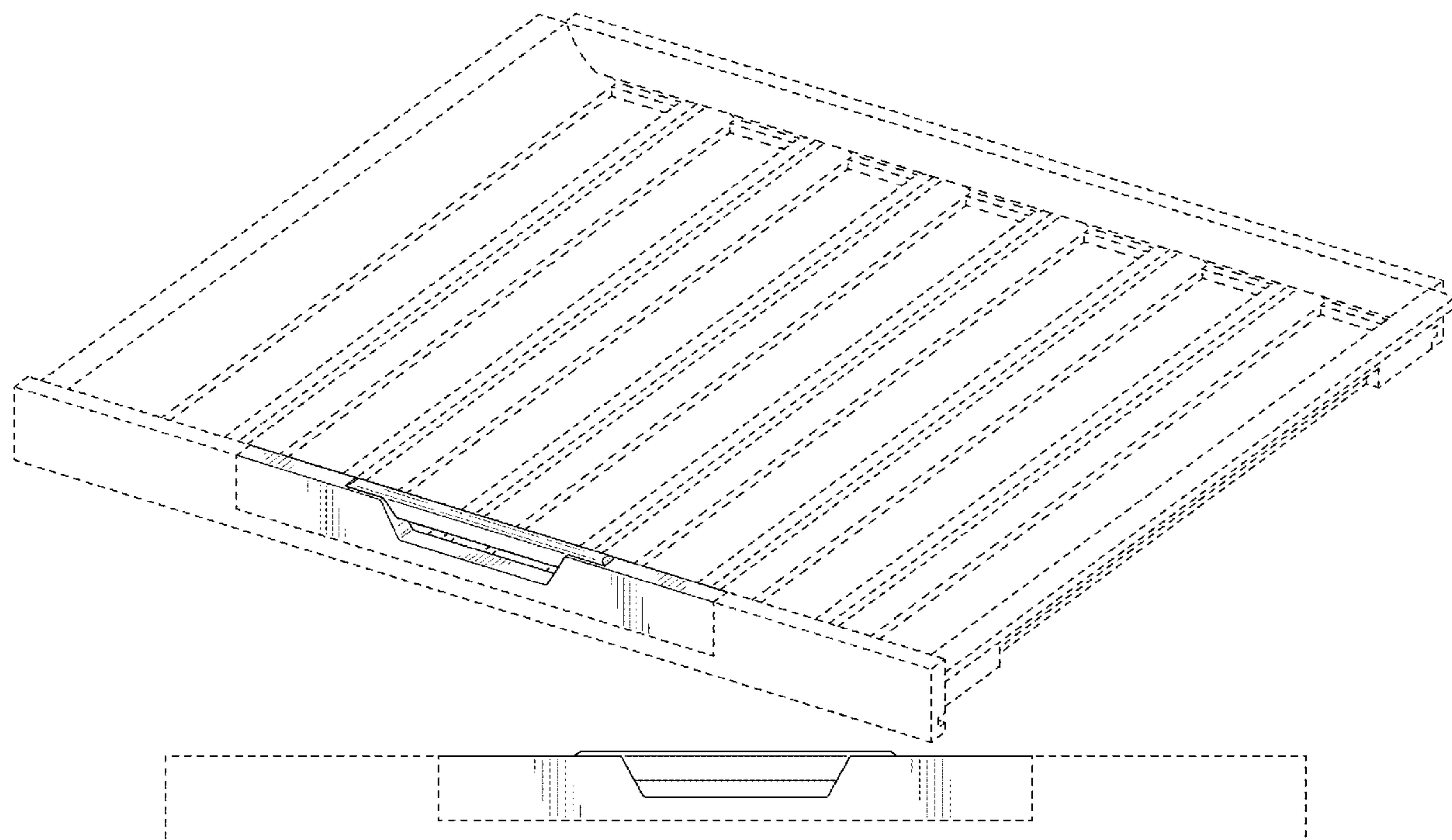
(57) **CLAIM**

The ornamental design for a handle, as shown and described.

DESCRIPTION

FIG. 1 is a front perspective view of a handle showing our new design;
FIG. 2 is a rear perspective view thereof;
FIG. 3 is a front view thereof;
FIG. 4 is a rear view thereof;
FIG. 5 is a right side view thereof;
FIG. 6 is a left side view thereof; and,
FIG. 7 is a top view thereof.
The broken lines depicting the remainder of the shelf form no part of the claimed design.

1 Claim, 5 Drawing Sheets



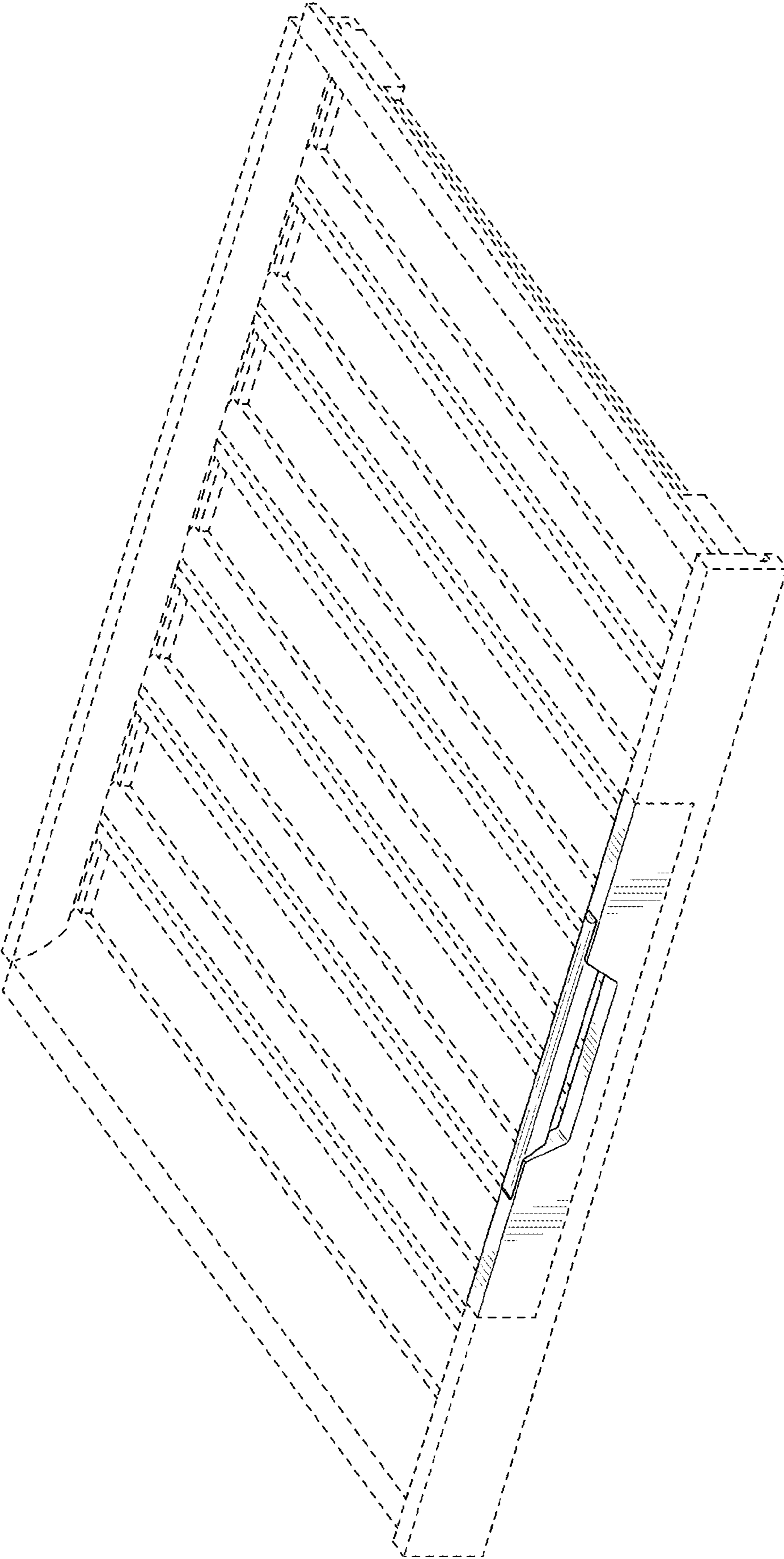


FIG. 1

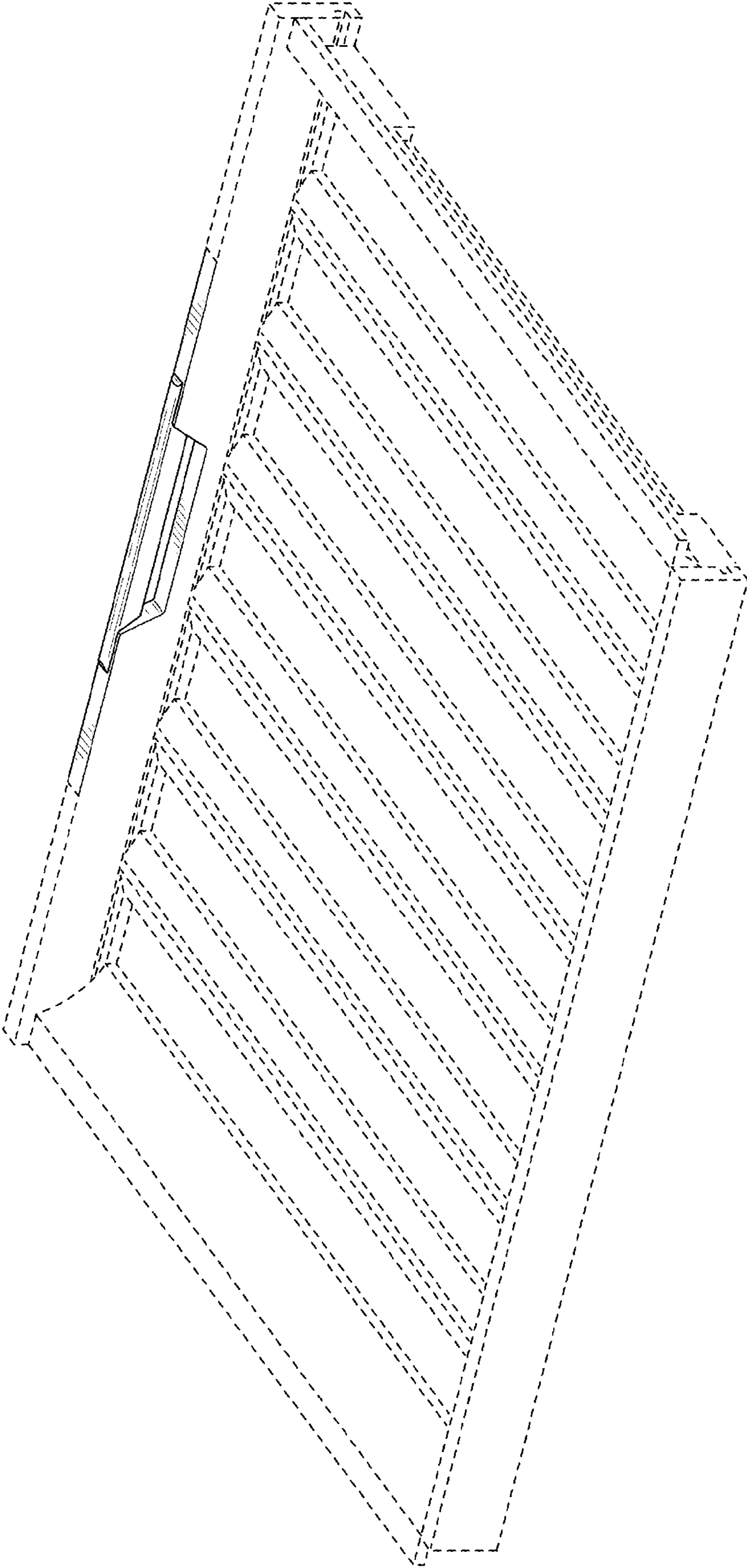


FIG. 2

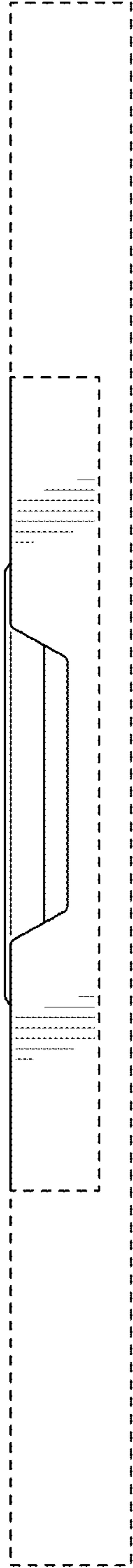


FIG. 3

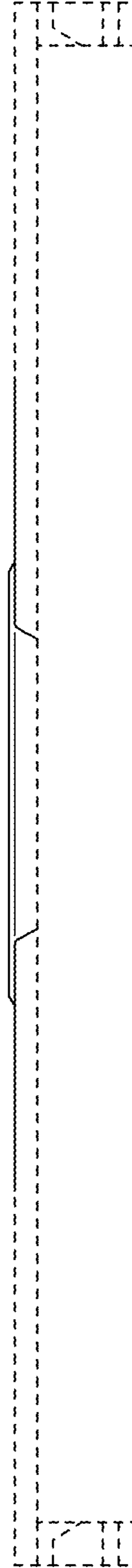


FIG. 4

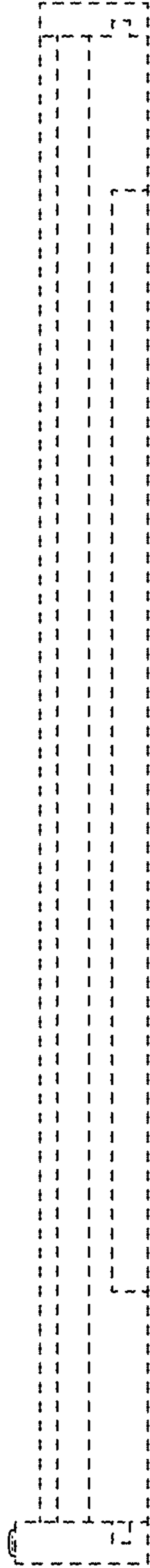


FIG. 5

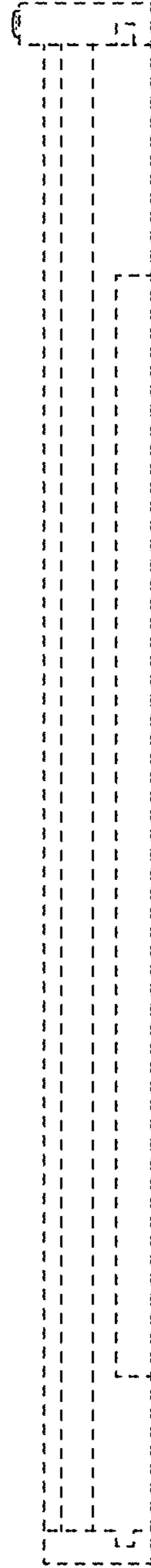


FIG. 6

FIG. 7

