



US00D924661S

(12) **United States Design Patent** (10) **Patent No.:** **US D924,661 S**  
**Carlino** (45) **Date of Patent:** **\*\* Jul. 13, 2021**

(54) **DOOR PULL**

(71) Applicant: **Tirar Pty Ltd**, Waitara (AU)

(72) Inventor: **Felice Carlino**, Waitara (AU)

(73) Assignee: **Tirar Pty Ltd**, Waitara (AU)

(\*\*) Term: **15 Years**

(21) Appl. No.: **29/728,440**

(22) Filed: **Mar. 18, 2020**

(30) **Foreign Application Priority Data**

Sep. 18, 2019 (AU) ..... 201915376

Sep. 18, 2019 (AU) ..... 201915378

Sep. 18, 2019 (AU) ..... 201915380

(51) **LOC (13) Cl.** ..... **08-06**

(52) **U.S. Cl.**  
USPC ..... **D8/313**

(58) **Field of Classification Search**  
USPC ..... D8/301, 302, 313, 331; D7/393, 394  
CPC ... Y10T 16/44; Y10T 292/57; Y10T 70/5761;  
Y10T 70/5832; Y10T 16/458; Y10T  
292/1047; Y10T 16/513; Y10T 70/5889;  
Y10T 16/498; Y10T 70/5792; Y10T  
16/476; Y10T 16/86; Y10T 70/7062;  
Y10T 70/8568; Y10T 16/4713; Y10T  
70/5819; Y10T 70/5155; Y10T 74/20732;  
Y10T 292/097; Y10T 292/1059; Y10T  
70/7113; Y10T 70/7305; Y10T 292/1014;  
Y10T 292/1052; Y10S 292/23; Y10S  
292/53; Y10S 292/31; Y10S 292/64;  
Y10S 70/31

See application file for complete search history.

(56) **References Cited**

U.S. PATENT DOCUMENTS

2,603,821	A *	7/1952	Bacon	.....	E05B 1/0015
					16/412
D179,604	S *	1/1957	Jorgensen	.....	D8/313
D184,620	S *	3/1959	Heyer et al.	.....	D8/307
D229,286	S *	11/1973	Tyke et al.	.....	D8/300
D230,251	S *	2/1974	Waldo	.....	D8/314
D249,454	S *	9/1978	Spellier	.....	D8/313
D272,714	S *	2/1984	LeGrand	.....	D8/301
D326,509	S *	5/1992	Yvetot	.....	D23/303
D423,903	S *	5/2000	Keller	.....	D8/307
D426,875	S *	6/2000	Weatherbee	.....	D8/307
D573,001	S *	7/2008	Sheppard	.....	D8/300
D573,439	S *	7/2008	Sheppard	.....	D8/313
D575,134	S *	8/2008	Sheppard	.....	D6/300
D618,982	S *	7/2010	Golden	.....	D8/308
D785,437	S *	5/2017	Bertani	.....	D8/313
2015/0096149	A1 *	4/2015	Chang	.....	E05B 1/0015
					16/412
2017/0211316	A1 *	7/2017	Strand	.....	E06B 9/262

\* cited by examiner

*Primary Examiner* — Lauren R Calve

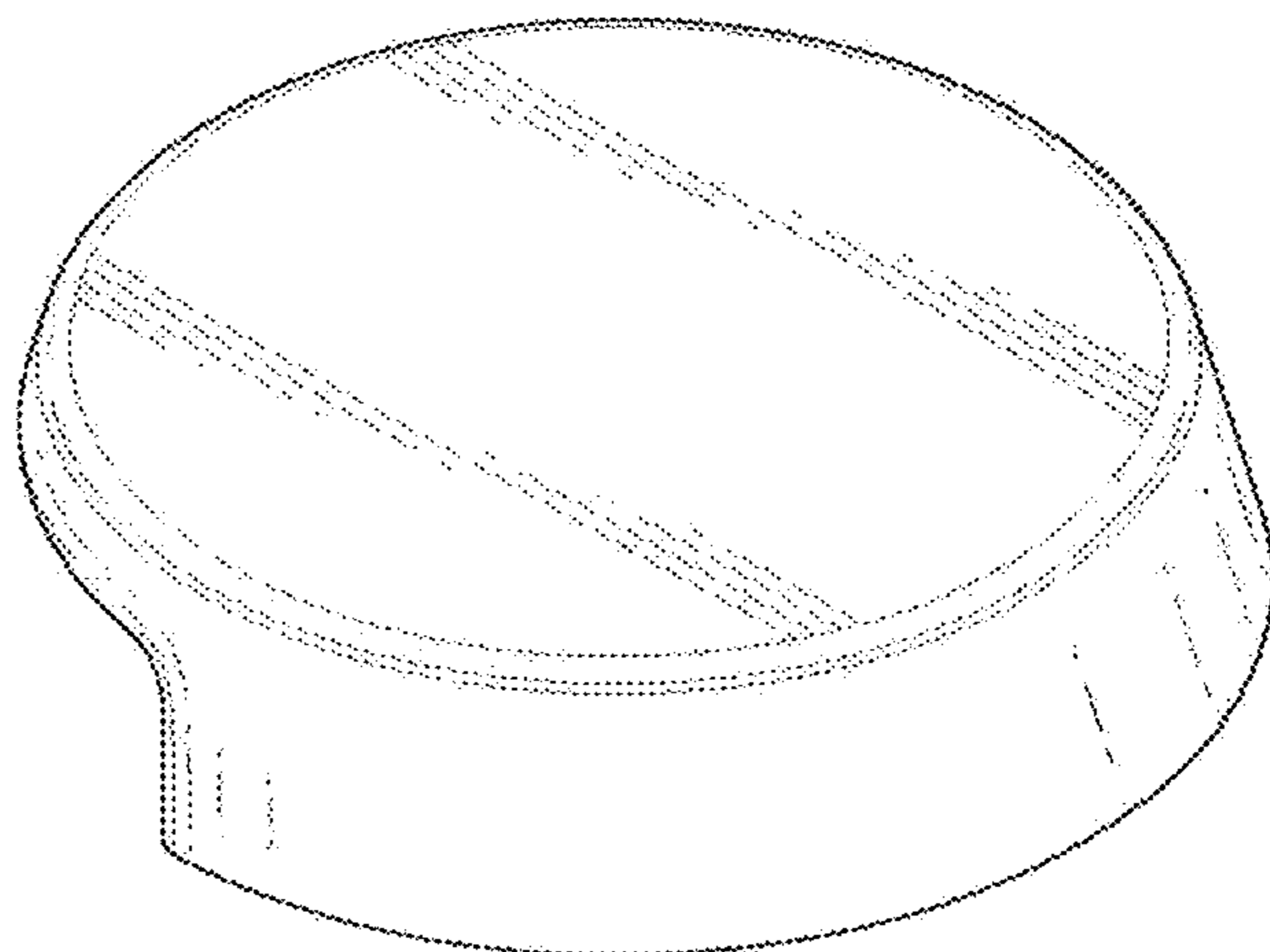
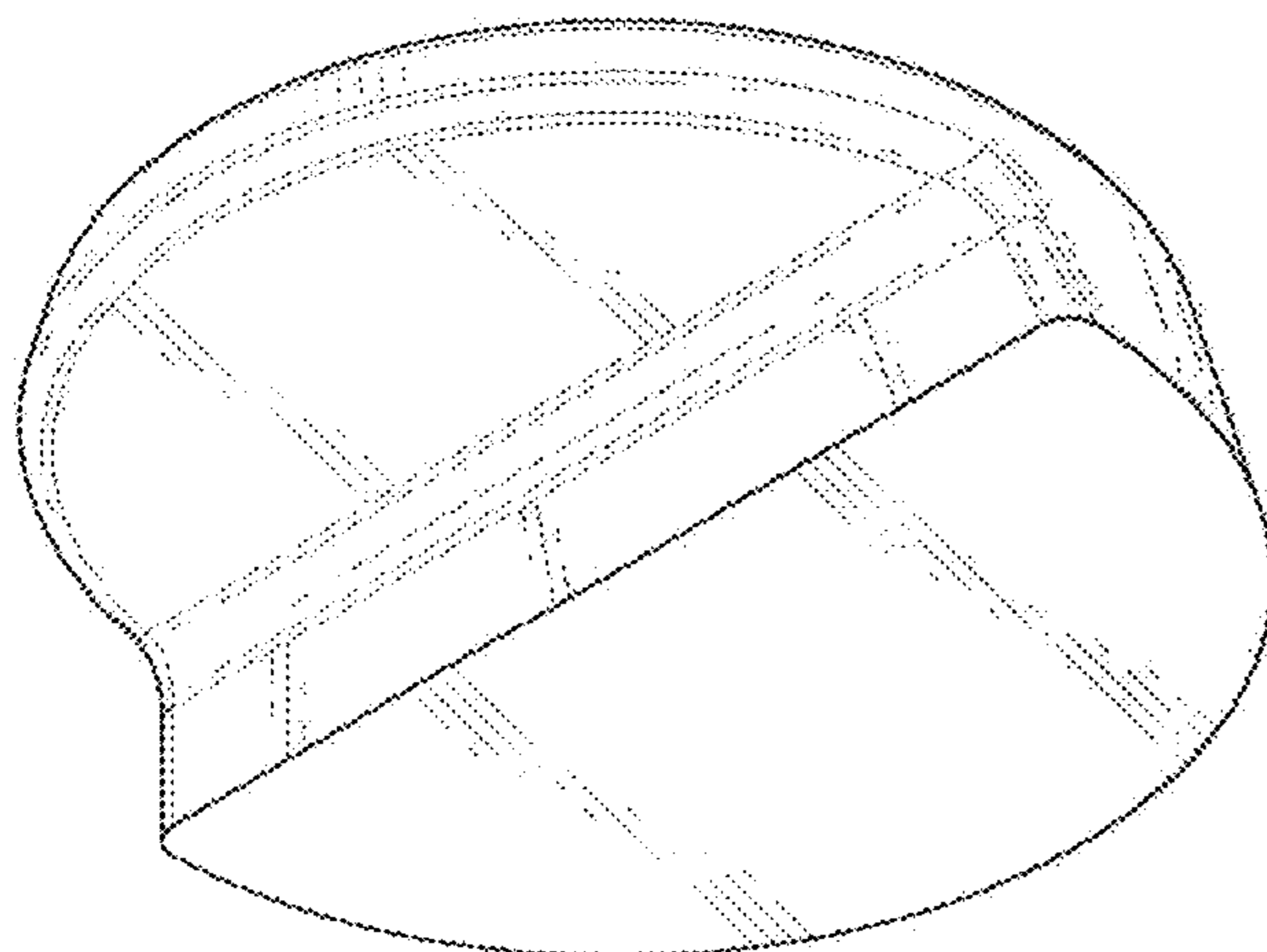
(57) **CLAIM**

The ornamental design for a door pull, as shown and described.

**DESCRIPTION**

FIG. 1 is a perspective view from behind of a door pull showing my new design;  
FIG. 2 is another perspective view thereof;  
FIG. 3 is a front elevational view thereof;  
FIG. 4 is a rear elevational view thereof;  
FIG. 5 is a right side elevational view thereof;  
FIG. 6 is a left side elevational view thereof;  
FIG. 7 is a top plan view thereof; and,  
FIG. 8 is a bottom plan view thereof.

**1 Claim, 8 Drawing Sheets**



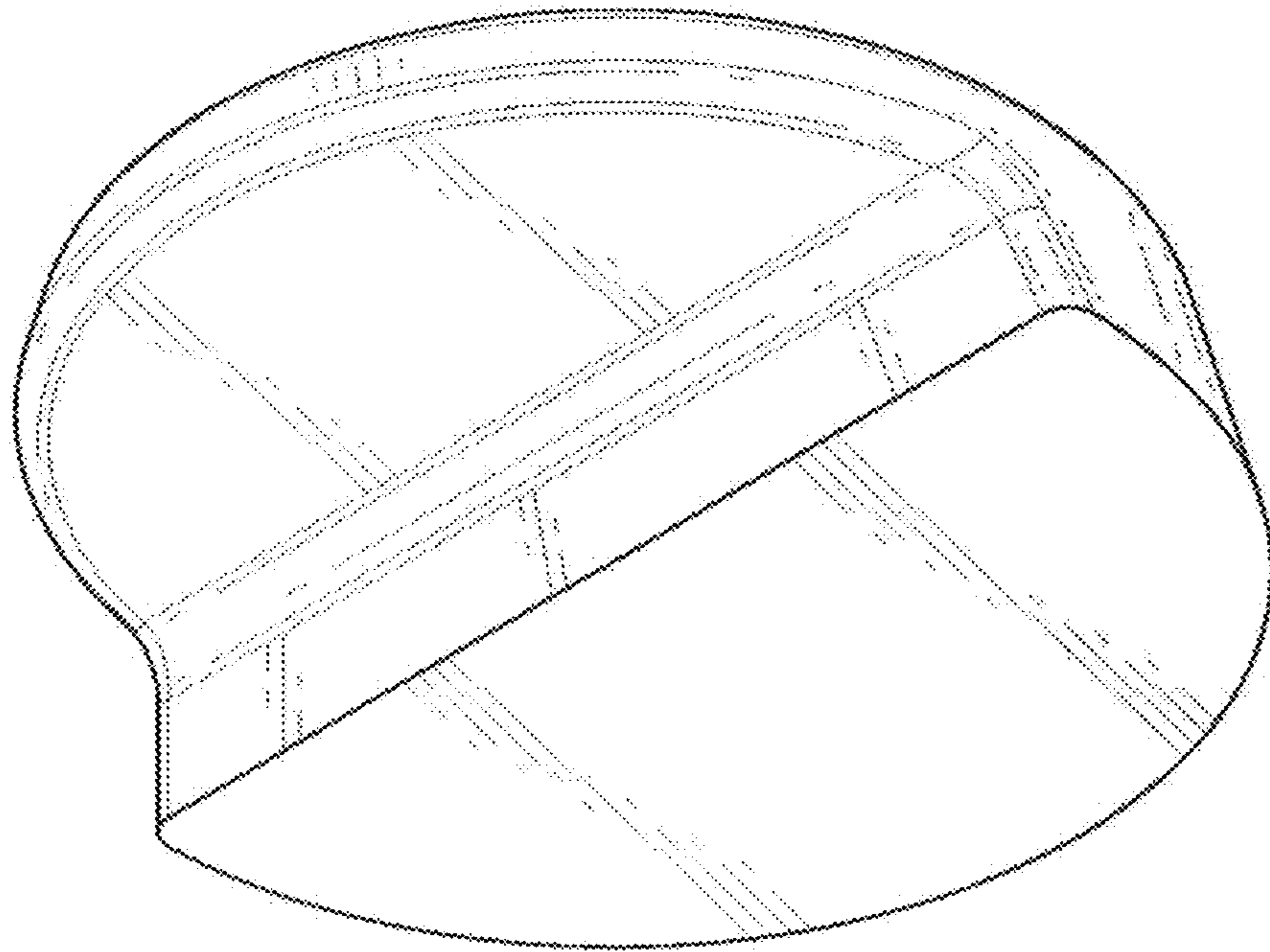


FIG. 1

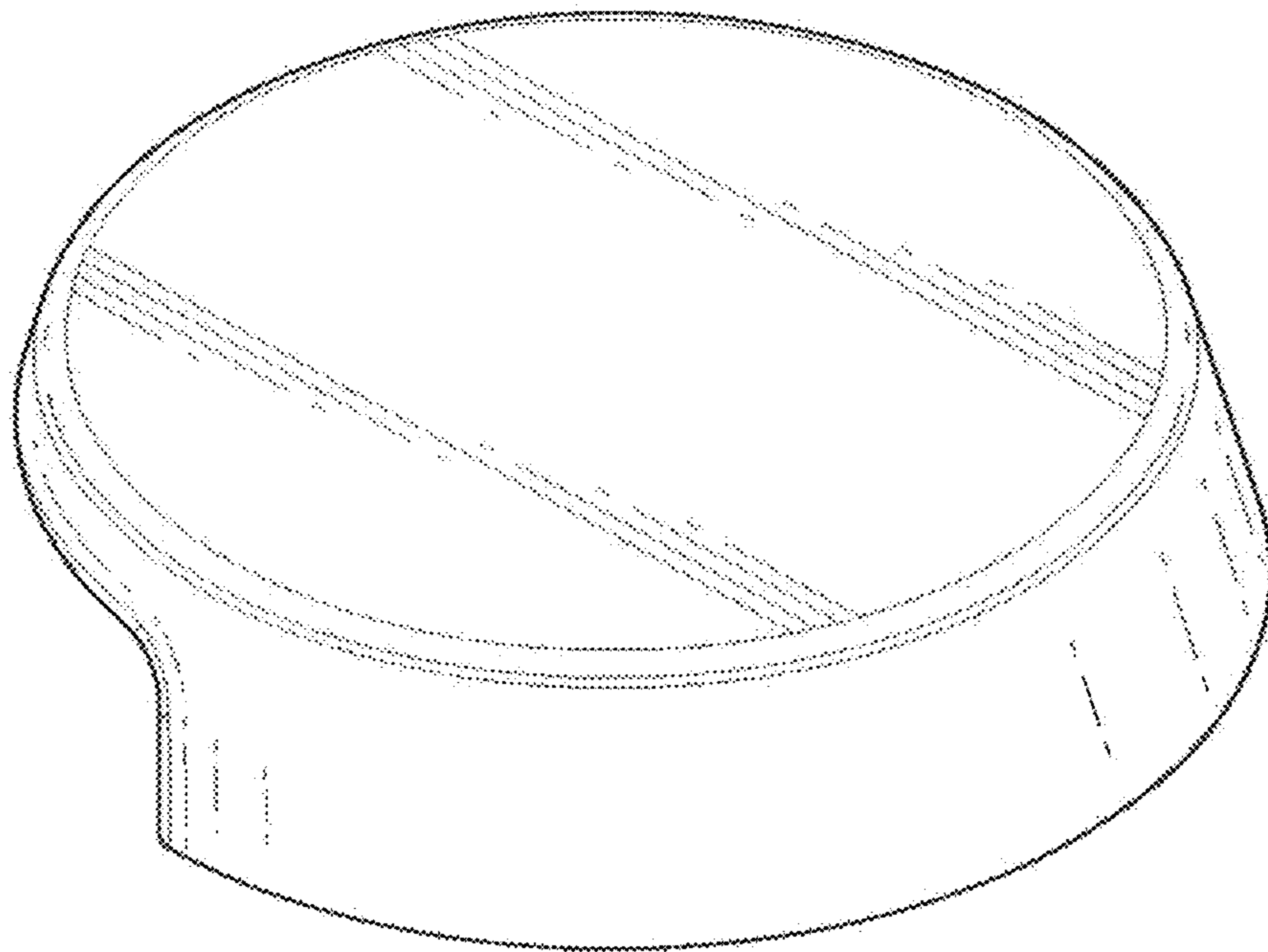


FIG. 2

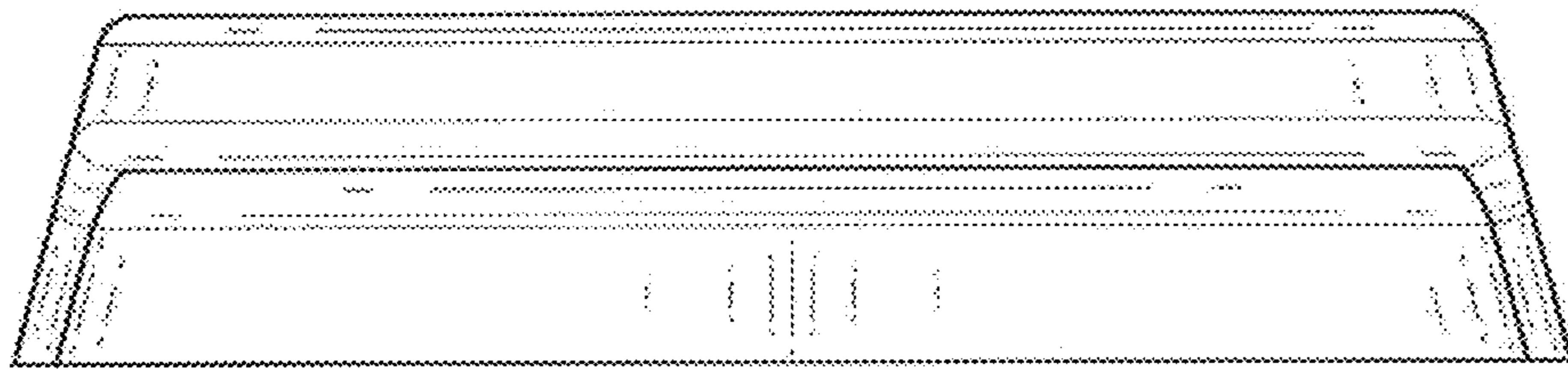


FIG. 3

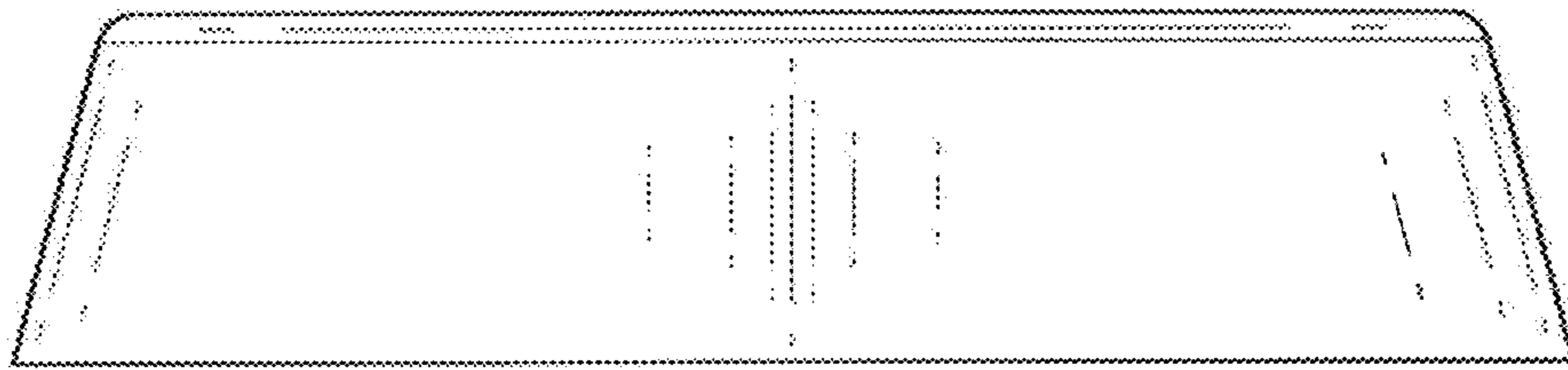


FIG. 4

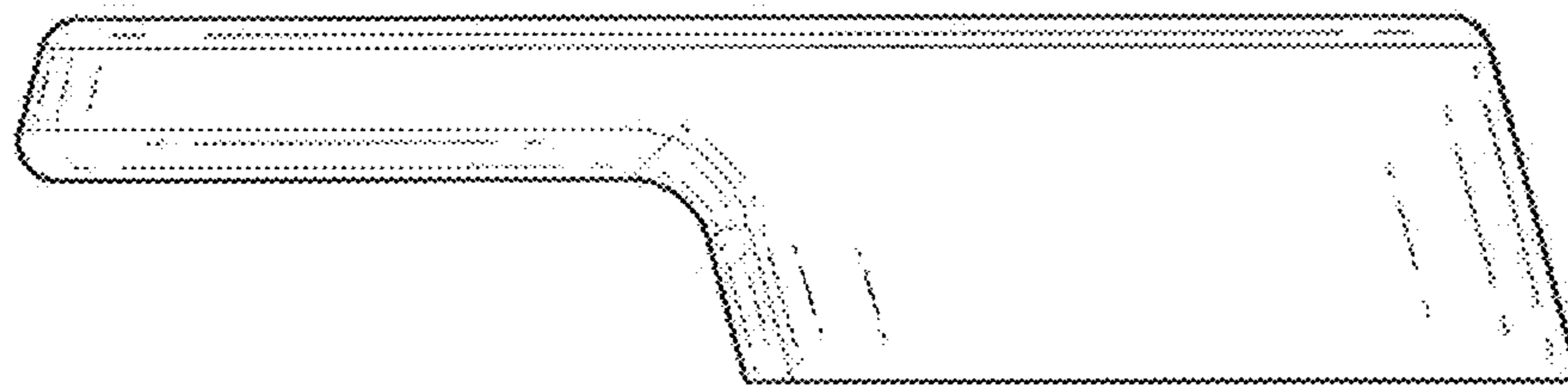


FIG. 5

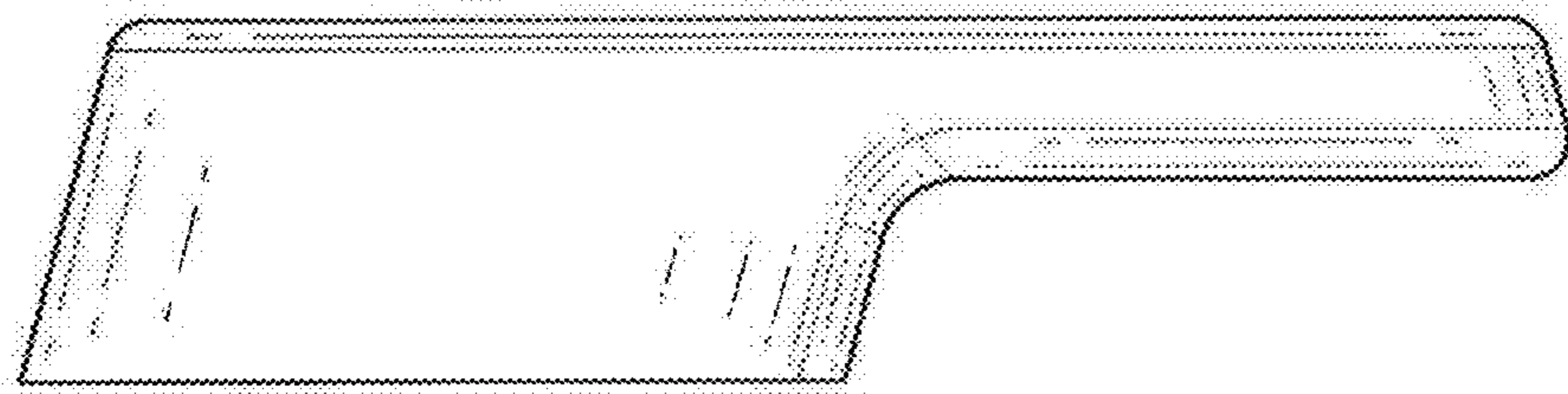


FIG. 6

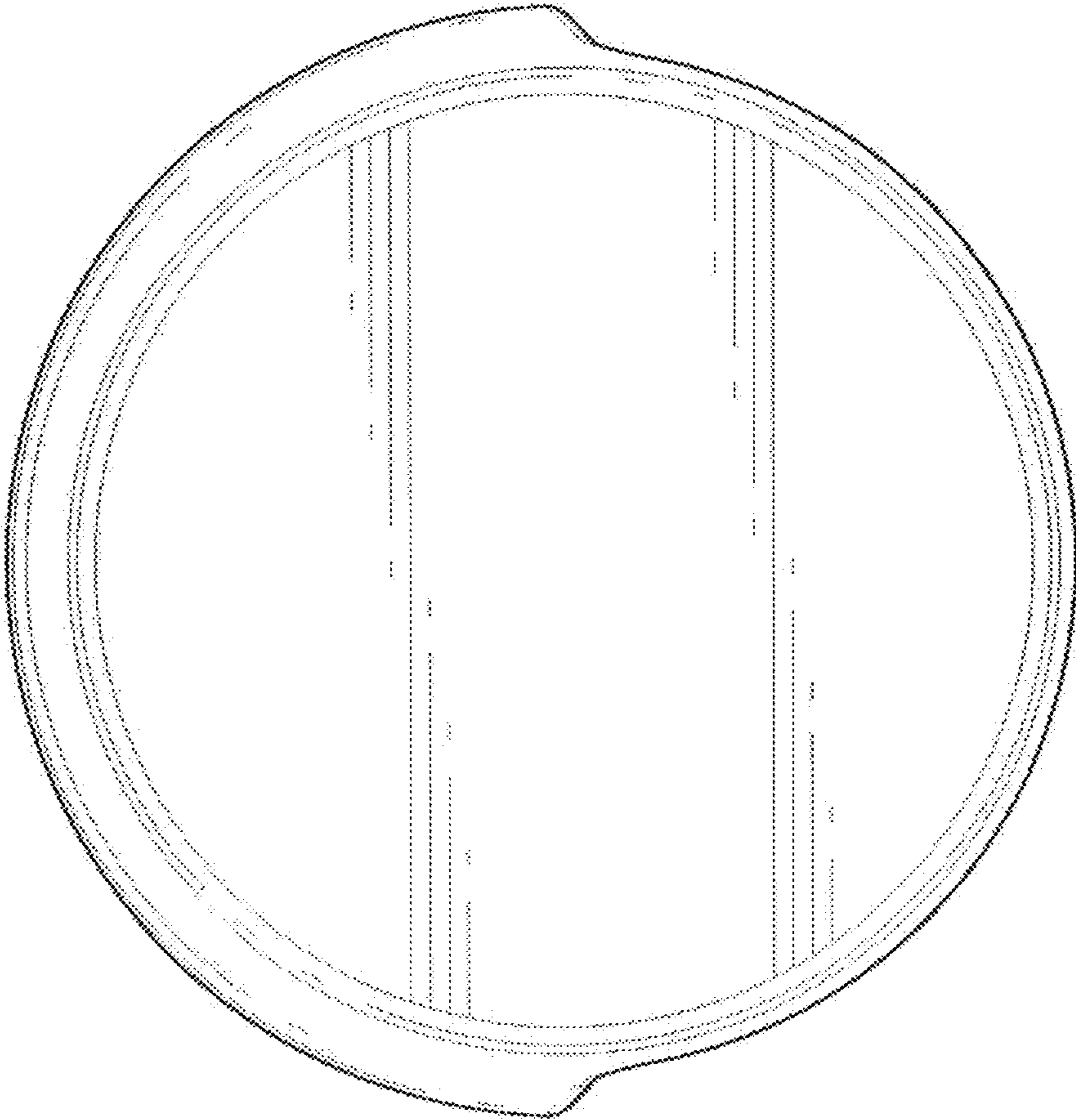


FIG. 7



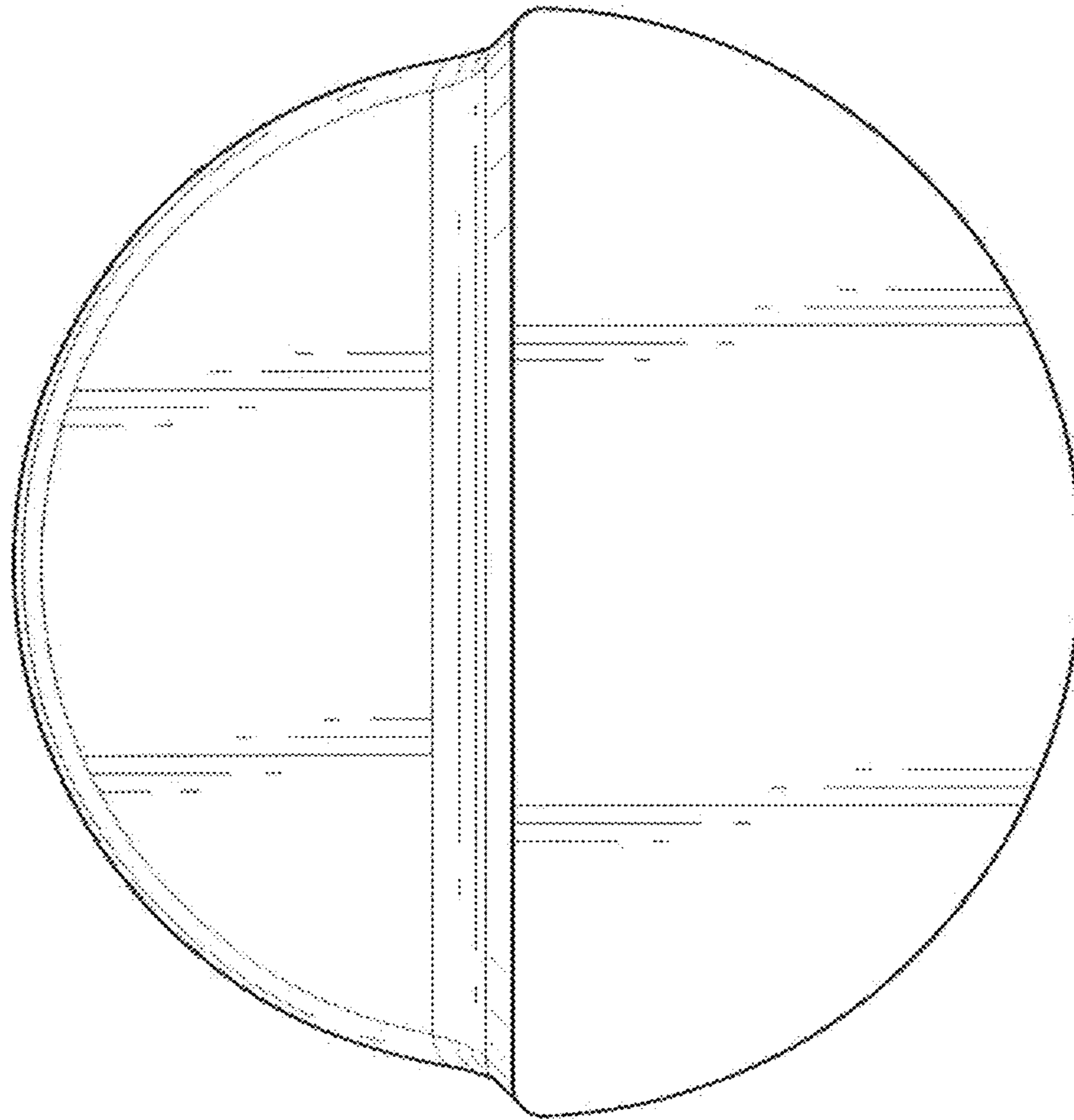


FIG. 8