



US00D924660S

(12) **United States Design Patent**  
**Blum et al.**

(10) **Patent No.:** **US D924,660 S**  
(45) **Date of Patent:** **\*\* Jul. 13, 2021**

(54) **CONTROL KNOB WITH A DIGITAL DISPLAY**

**DESCRIPTION**

- (71) Applicant: **Sub-Zero Group, Inc.**, Madison, WI (US)
- (72) Inventors: **Bronson Blum**, Fitchburg, WI (US);  
**Terrence Hoffmann**, DeForest, WI (US); **Curtis Leroy Cruver, IV**,  
Elmhurst, IL (US)
- (73) Assignee: **SUB-ZERO GROUP, INC.**, Madison, WI (US)
- (\*\*) Term: **15 Years**
- (21) Appl. No.: **29/734,361**
- (22) Filed: **May 12, 2020**
- (51) **LOC (13) Cl.** ..... **08-06**
- (52) **U.S. Cl.**  
USPC ..... **D8/311**
- (58) **Field of Classification Search**  
USPC ..... D8/107, 300, 301, 307, 310, 311, 312;  
D23/250, 421; D7/393, 394, 396, 402,  
D7/406, 543, 545, 547, 548

FIG. 1 is a top, front, right perspective view showing a first embodiment of a control knob showing our new design; FIG. 2 is a front elevation view of the control knob of FIG. 1; FIG. 3 is a bottom plan view of the control knob of FIG. 1; FIG. 4 is a top plan view of the control knob of FIG. 1; FIG. 5 is a right elevation view of the control knob of FIG. 1; FIG. 6 is a left elevation view of the control knob of FIG. 1; FIG. 7 is a top, front, right perspective view showing a second embodiment of a control knob showing our new design, wherein the vertical cross-hatching indicates portions of the control knob made with a material having a red color; FIG. 8 is a front elevation view of the control knob of FIG. 7; FIG. 9 is a bottom plan view of the control knob of FIG. 7; FIG. 10 is a top plan view of the control knob of FIG. 7; FIG. 11 is a right elevation view of the control knob of FIG. 7; FIG. 12 is a left elevation view of the control knob of FIG. 7; FIG. 13 is a top, front, right perspective view showing a third embodiment of a control knob showing our new design, wherein the fill pattern indicates portions of the control knob made with a material having a black color; FIG. 14 is a front elevation view of the control knob of FIG. 13; FIG. 15 is a bottom plan view of the control knob of FIG. 13; FIG. 16 is a top plan view of the control knob of FIG. 13; FIG. 17 is a right elevation view of the control knob of FIG. 13; FIG. 18 is a left elevation view of the control knob of FIG. 13; FIG. 19 is a top, front, right perspective view showing a fourth embodiment of a control knob showing our new design, wherein the horizontal cross-hatching indicates portions of the control knob made with a stainless steel material that has a silver color; FIG. 20 is a front elevation view of the control knob of FIG. 19;

(56) **References Cited**

**U.S. PATENT DOCUMENTS**

- 2,682,859 A 7/1954 Jensen et al.
  - 2,699,141 A 1/1955 Gaguski
- (Continued)

**FOREIGN PATENT DOCUMENTS**

EP 2659190 9/2014

*Primary Examiner* — Lauren R Calve

(74) *Attorney, Agent, or Firm* — Bell & Manning, LLC

(57) **CLAIM**

We claim the ornamental design for a control knob with a digital display, as shown and described.

(Continued)

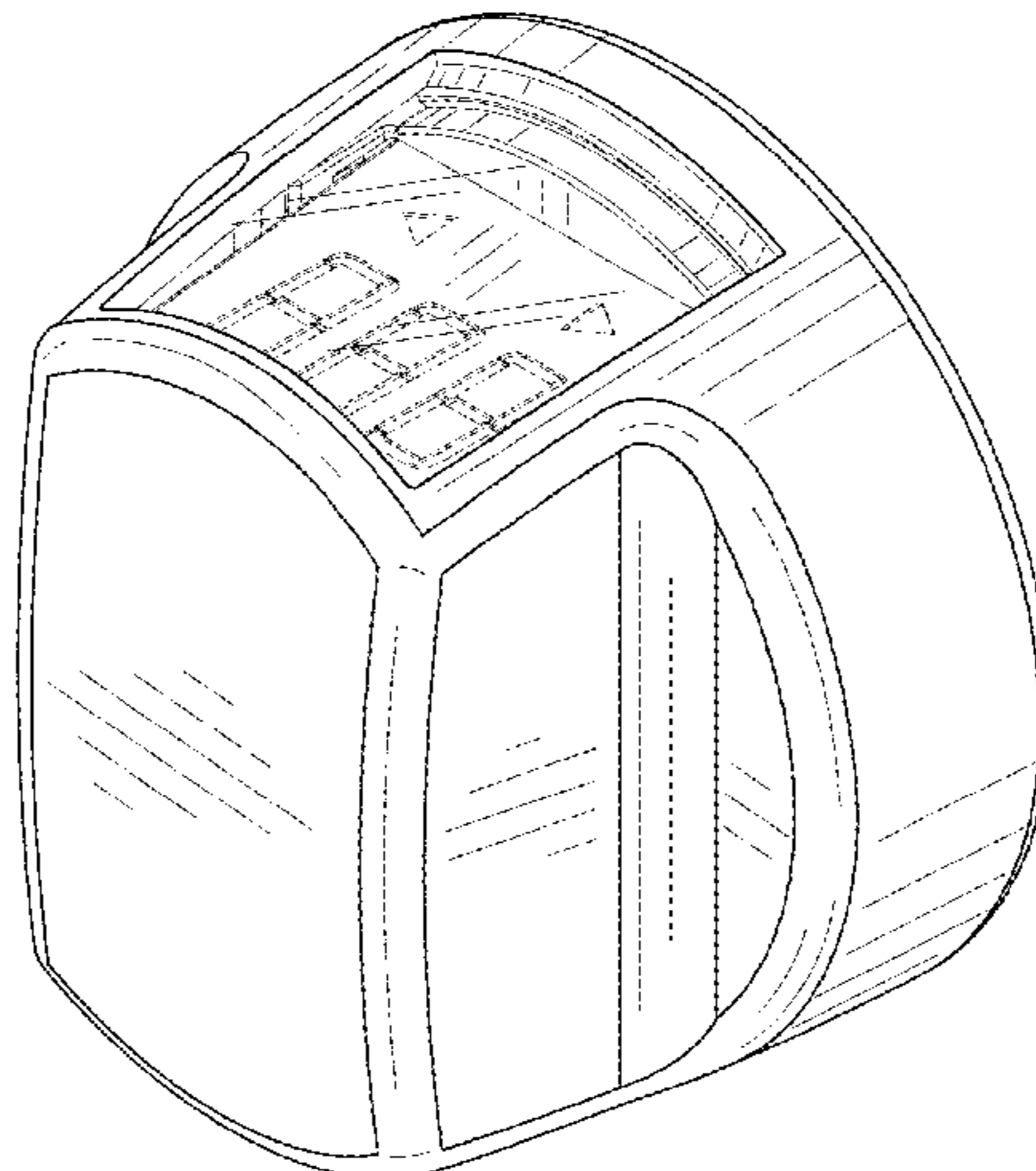


FIG. 21 is a bottom plan view of the control knob of FIG. 19;  
 FIG. 22 is a top plan view of the control knob of FIG. 19;  
 FIG. 23 is a right elevation view of the control knob of FIG. 19; and,  
 FIG. 24 is a left elevation view of the control knob of FIG. 19.

The back elevation views of the control knob are unornamented and form no part of the claimed design. The broken lines in FIGS. 1, 4, 7, 10, 13, 16, 19, and 22 are included for the purpose of illustrating portions of the control knob that form no part of the claimed design.

**1 Claim, 24 Drawing Sheets**

(58) **Field of Classification Search**

CPC ... Y10T 292/57; Y10T 292/82; Y10T 16/469;  
 Y10T 16/44; Y10T 16/476; Y10T  
 74/2084; Y10T 292/85; Y10T 74/2087;  
 Y10T 16/4713; Y10T 16/506; Y10T  
 74/20876; Y10T 74/20612; Y10T  
 70/5765; Y10T 16/459; Y10T 74/20666;  
 Y10T 16/487; Y10T 74/20822

See application file for complete search history.

(56) **References Cited**

U.S. PATENT DOCUMENTS

2,998,733	A	9/1961	Thompson	
D194,137	S	11/1962	Jenn	
D266,348	S	9/1982	Piesco	
D316,293	S	4/1991	Ragonot	
D324,807	S	3/1992	Reid et al.	
D369,940	S	5/1996	Wilsdorf	
D400,778	S *	11/1998	Holbrook, Jr. ....	D8/311
5,936,613	A	8/1999	Jaeger et al.	
D419,218	S	1/2000	Mullenmeister	
6,079,401	A	6/2000	Alvord et al.	
D493,090	S	7/2004	Chen et al.	
D498,657	S	11/2004	Milrud et al.	
D509,095	S	9/2005	Grutzke et al.	

D509,987	S	9/2005	Vetter	
D511,290	S	11/2005	Coudurier	
D525,517	S	7/2006	Baldwin	
D534,628	S	1/2007	Chisenhall	
7,171,727	B2	2/2007	Wylie et al.	
7,222,979	B1 *	5/2007	Popowich .....	H01H 19/025 200/316
7,251,861	B2	8/2007	Suzuki	
7,259,908	B2	8/2007	Wagener et al.	
D568,715	S	5/2008	Gustafson et al.	
7,381,128	B2	6/2008	Ogawa et al.	
D578,890	S	10/2008	Swanson et al.	
7,462,795	B2	12/2008	Montalvo	
D597,632	S	8/2009	Obara et al.	
D631,726	S	2/2011	Sanchez	
D644,912	S	9/2011	Benold	
D645,702	S	9/2011	Baacke et al.	
D649,004	S	11/2011	Sanchez	
8,430,460	B2	4/2013	Erro et al.	
D696,068	S	12/2013	Baacke	
D697,359	S	1/2014	Meda et al.	
8,662,102	B2	3/2014	Shaffer et al.	
D704,028	S	5/2014	Meda et al.	
D724,381	S	3/2015	Pionek et al.	
D724,382	S	3/2015	Pionek et al.	
D724,888	S	3/2015	Lee et al.	
8,979,289	B2	3/2015	Camli et al.	
9,146,033	B2	9/2015	Cadima et al.	
D741,454	S	10/2015	Freier et al.	
D752,385	S	3/2016	Pionek et al.	
D752,386	S	3/2016	Pionek et al.	
D764,028	S	8/2016	Schoenherr et al.	
D766,697	S *	9/2016	Vergin .....	D8/311
D779,262	S	2/2017	Kim et al.	
D781,126	S	3/2017	Pionek et al.	
D791,567	S *	7/2017	Incukur .....	D8/311
D792,189	S *	7/2017	Incukur .....	D8/311
D806,512	S	1/2018	Chow et al.	
10,139,852	B2 *	11/2018	Crosby .....	G05G 25/00
10,345,514	B2 *	7/2019	Kozinski .....	G02B 6/0095
10,401,035	B2	9/2019	Pionek et al.	
2003/0209018	A1 *	11/2003	Becke .....	A47L 15/4293 62/126
2014/0047943	A1	2/2014	Camli et al.	
2015/0370283	A1 *	12/2015	Lawson .....	G05G 1/082 74/553
2018/0232001	A1 *	8/2018	Gur .....	H01H 19/14

\* cited by examiner



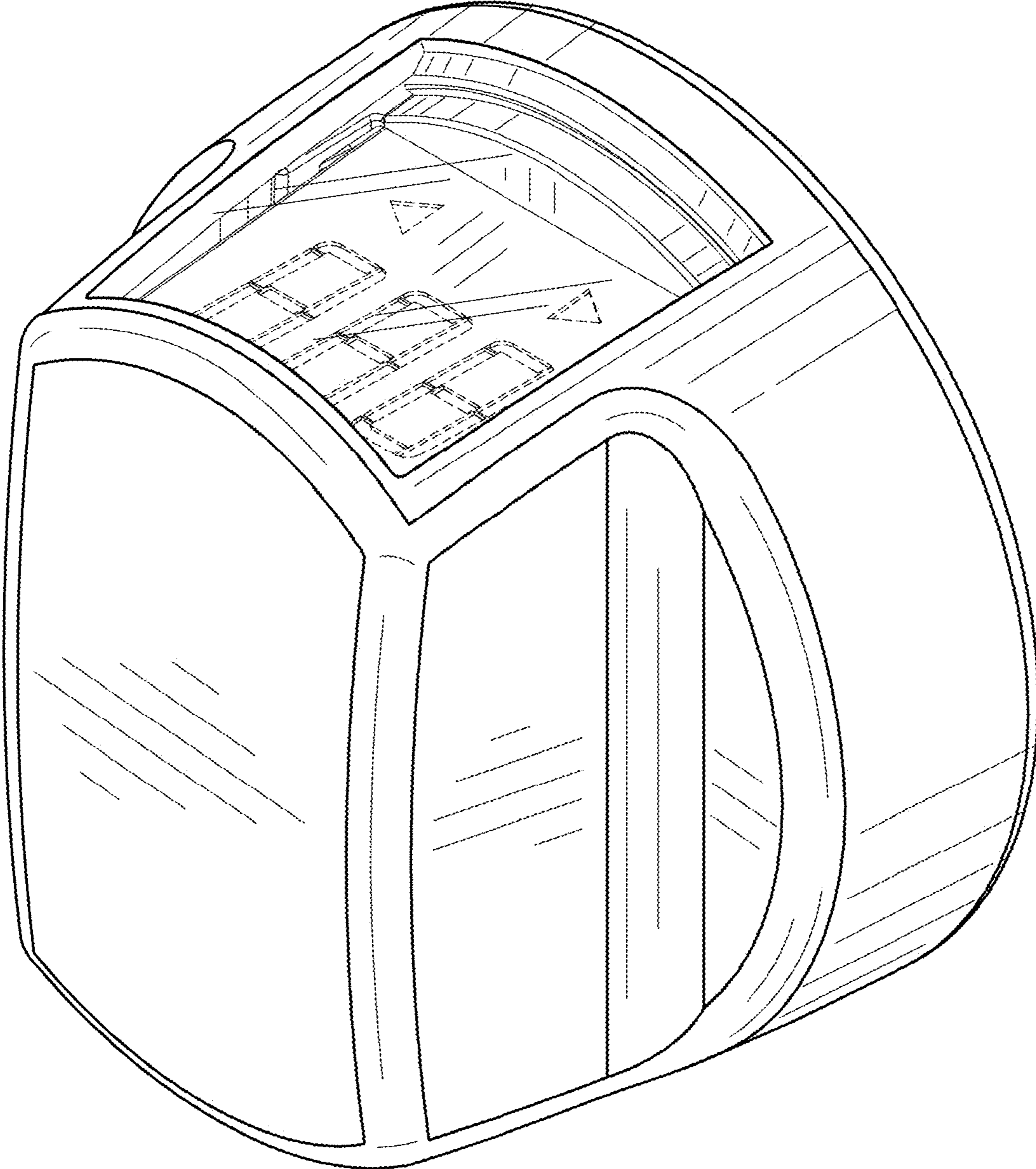


FIG. 1

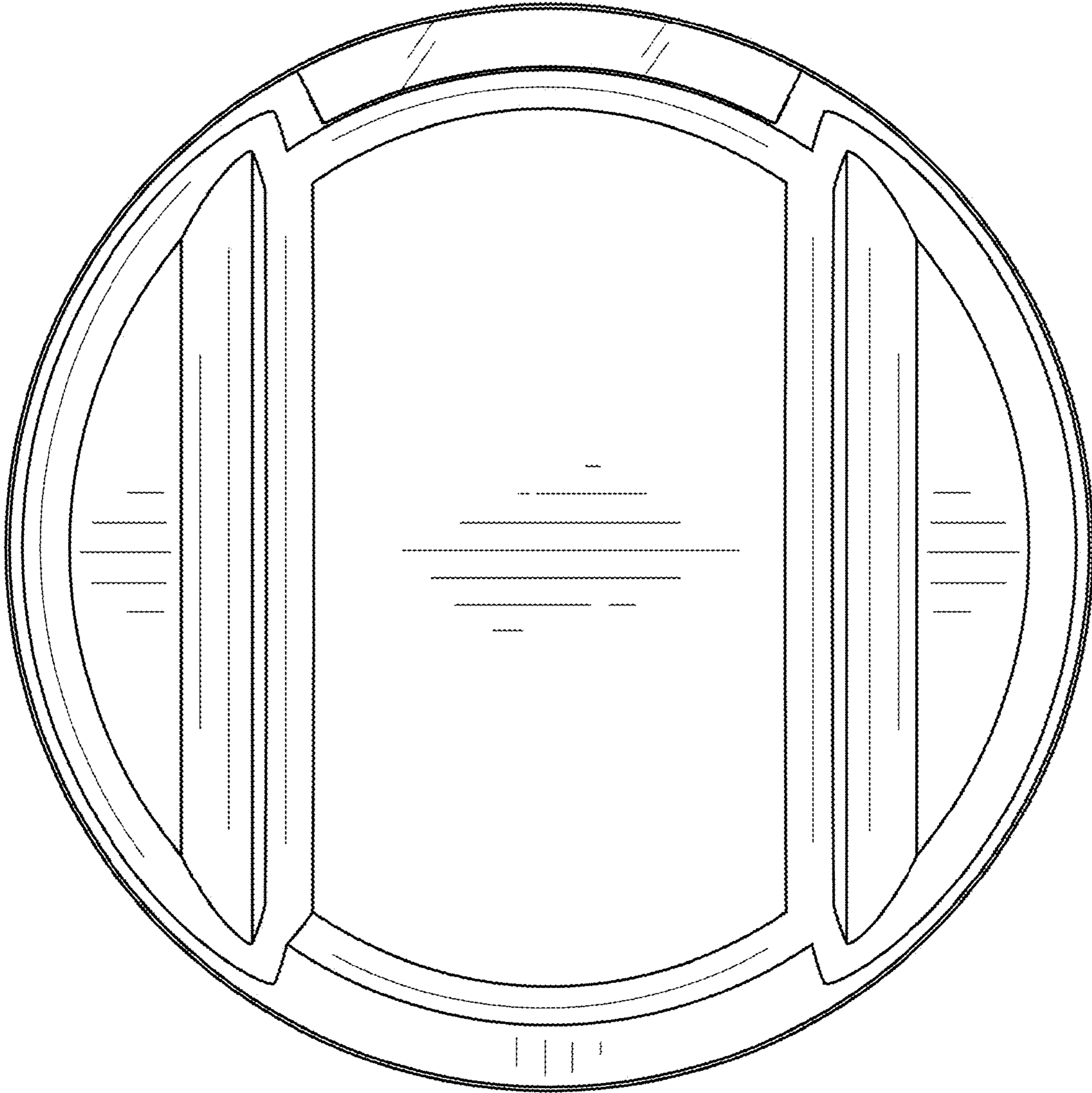


FIG. 2

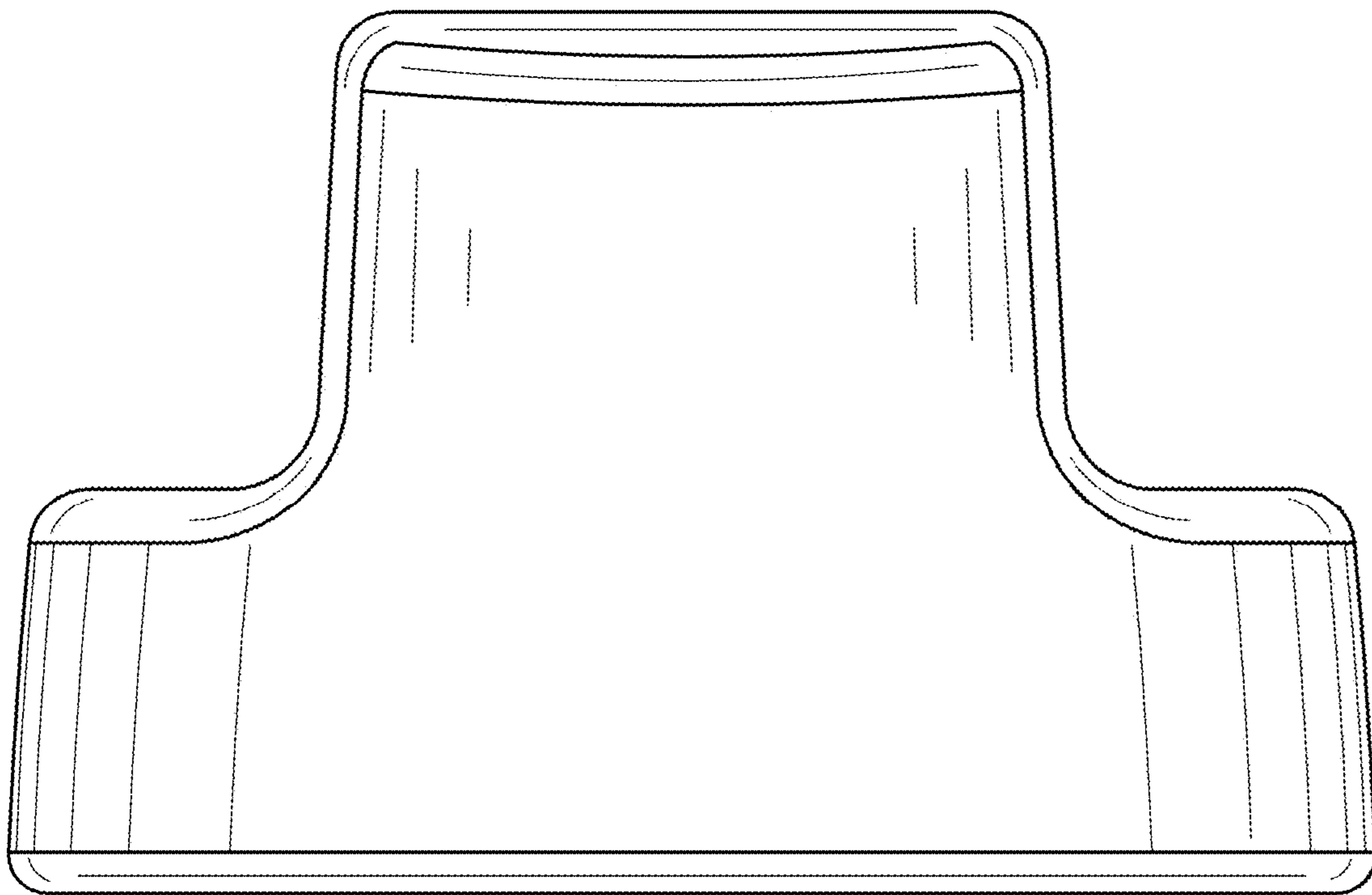


FIG. 3

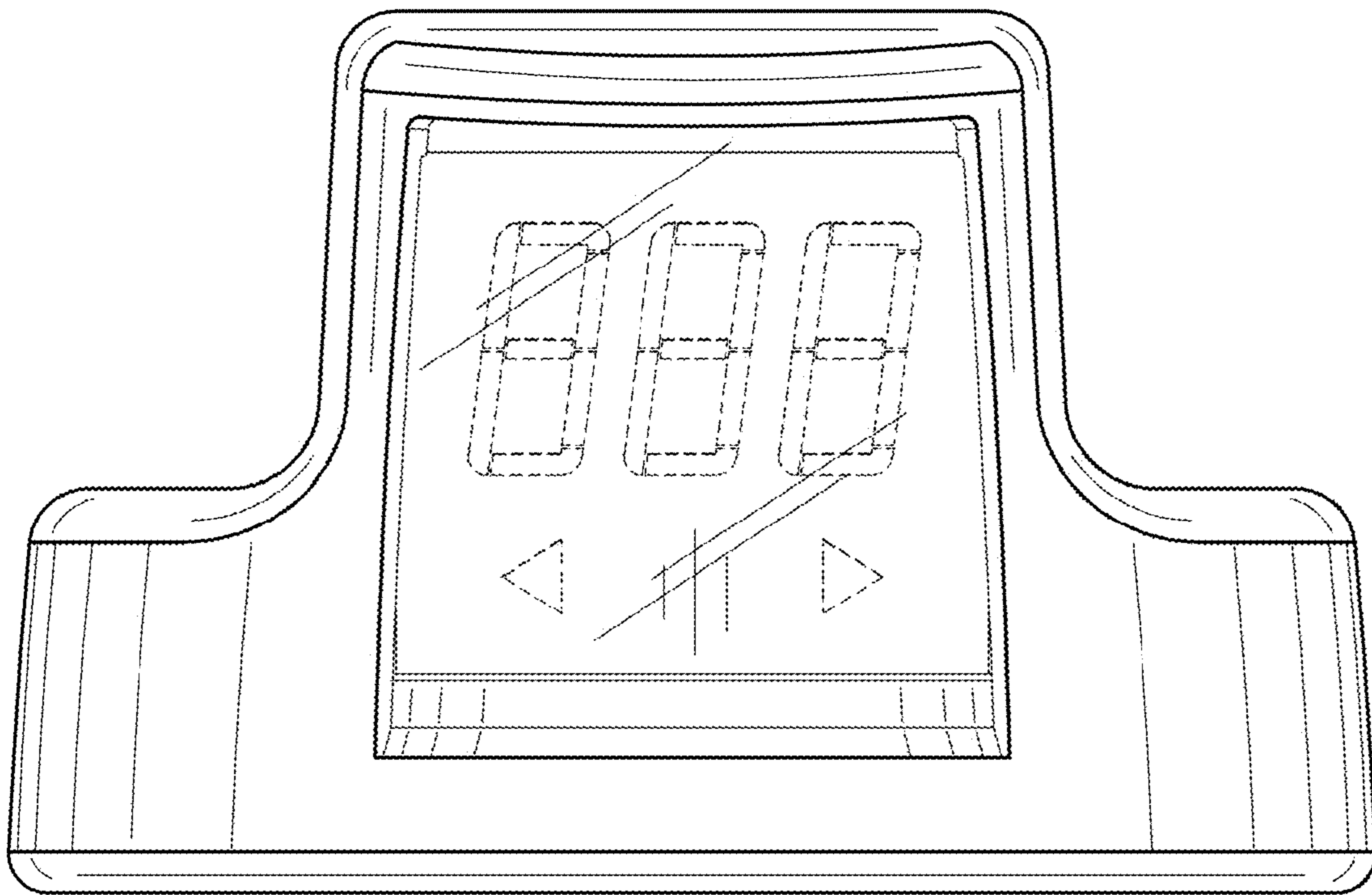


FIG. 4

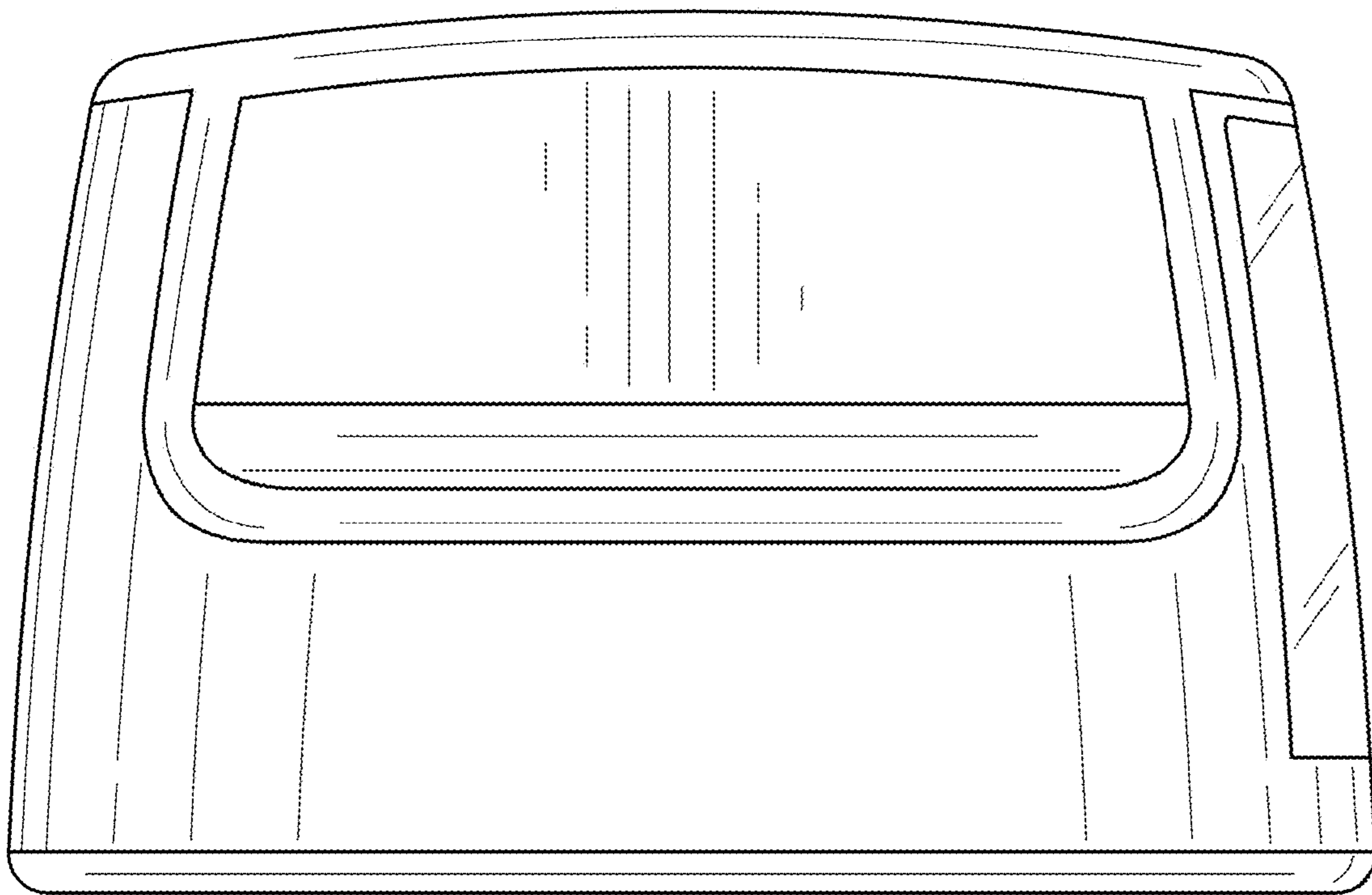


FIG. 5

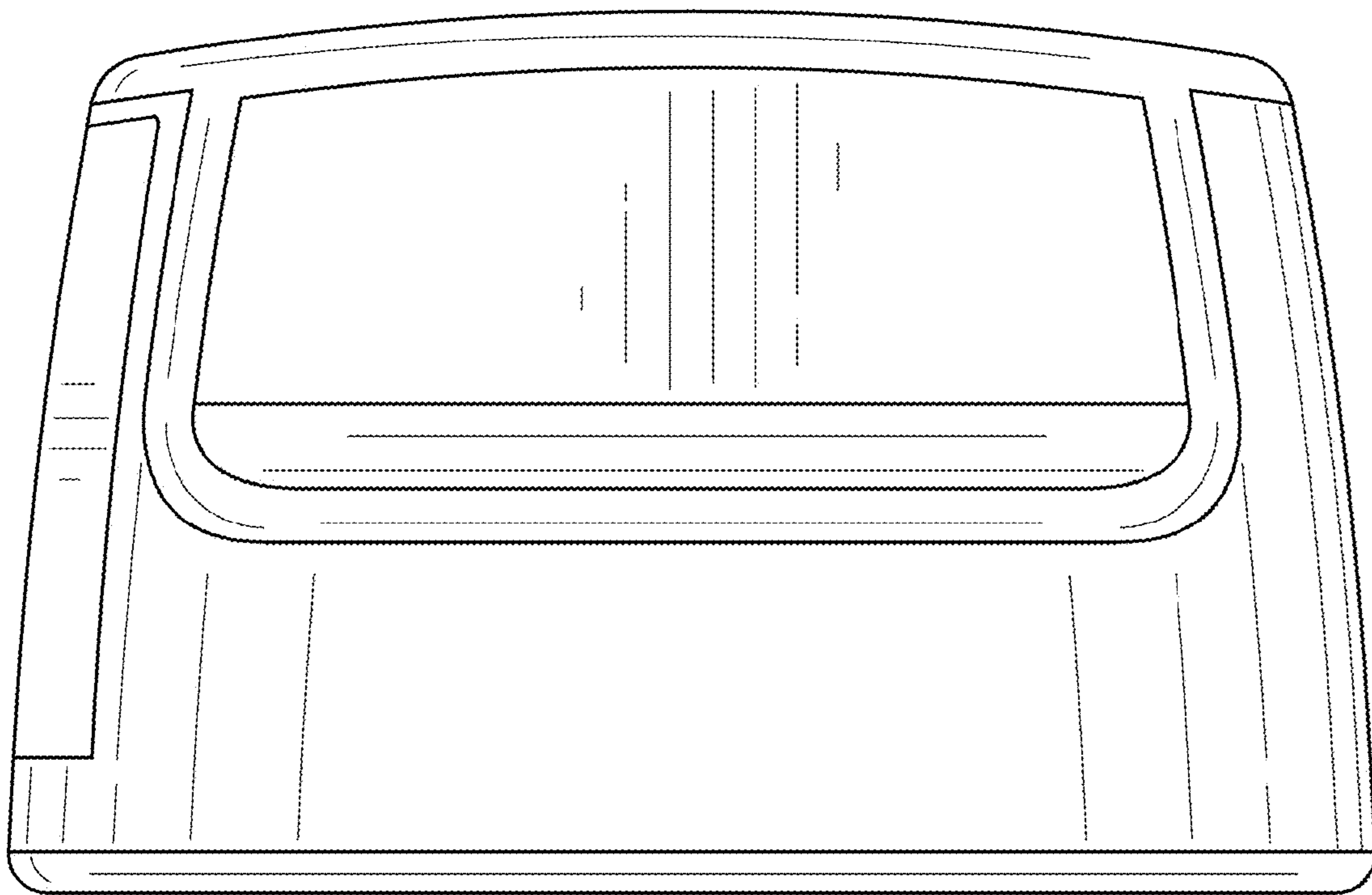


FIG. 6



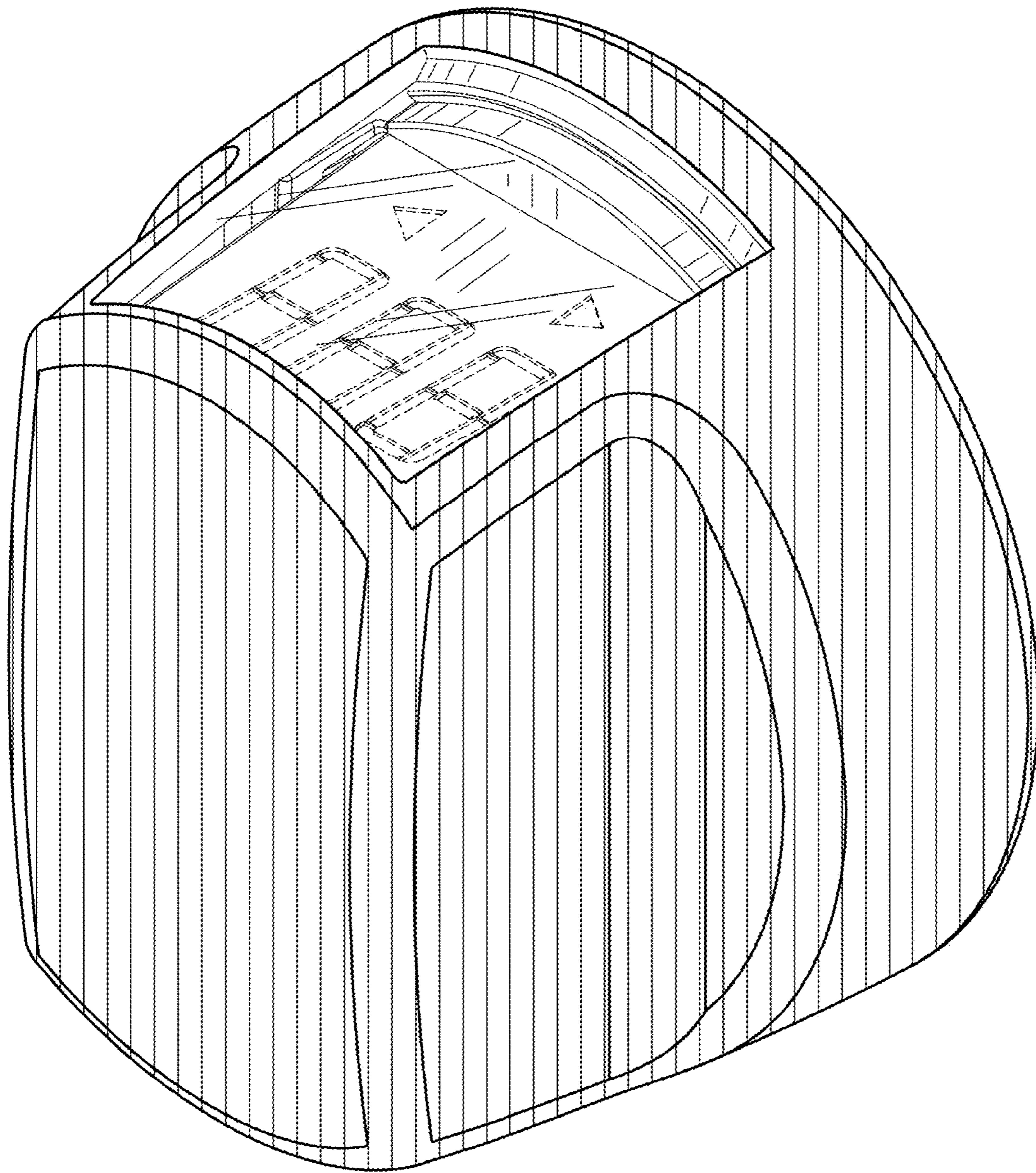


FIG. 7

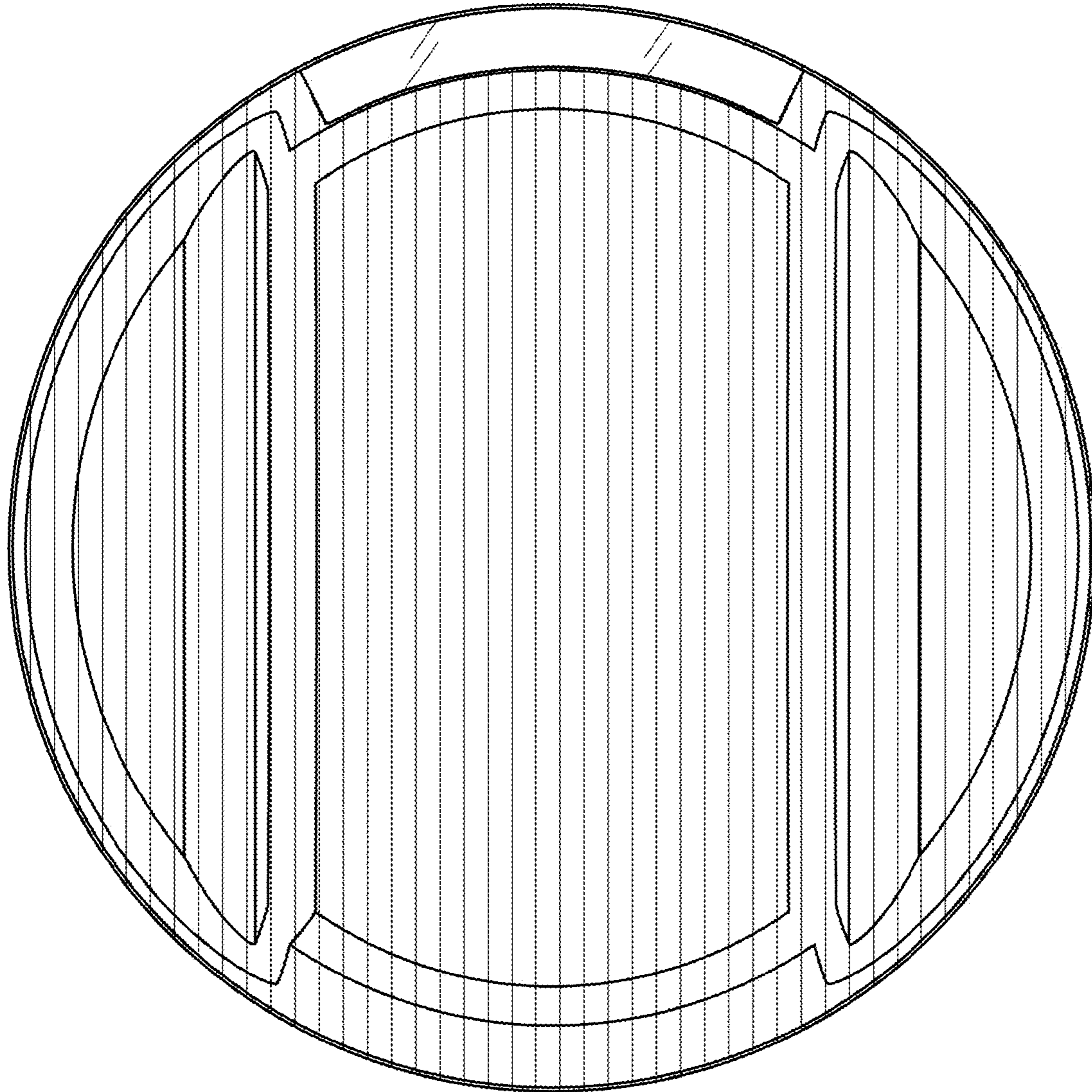


FIG. 8

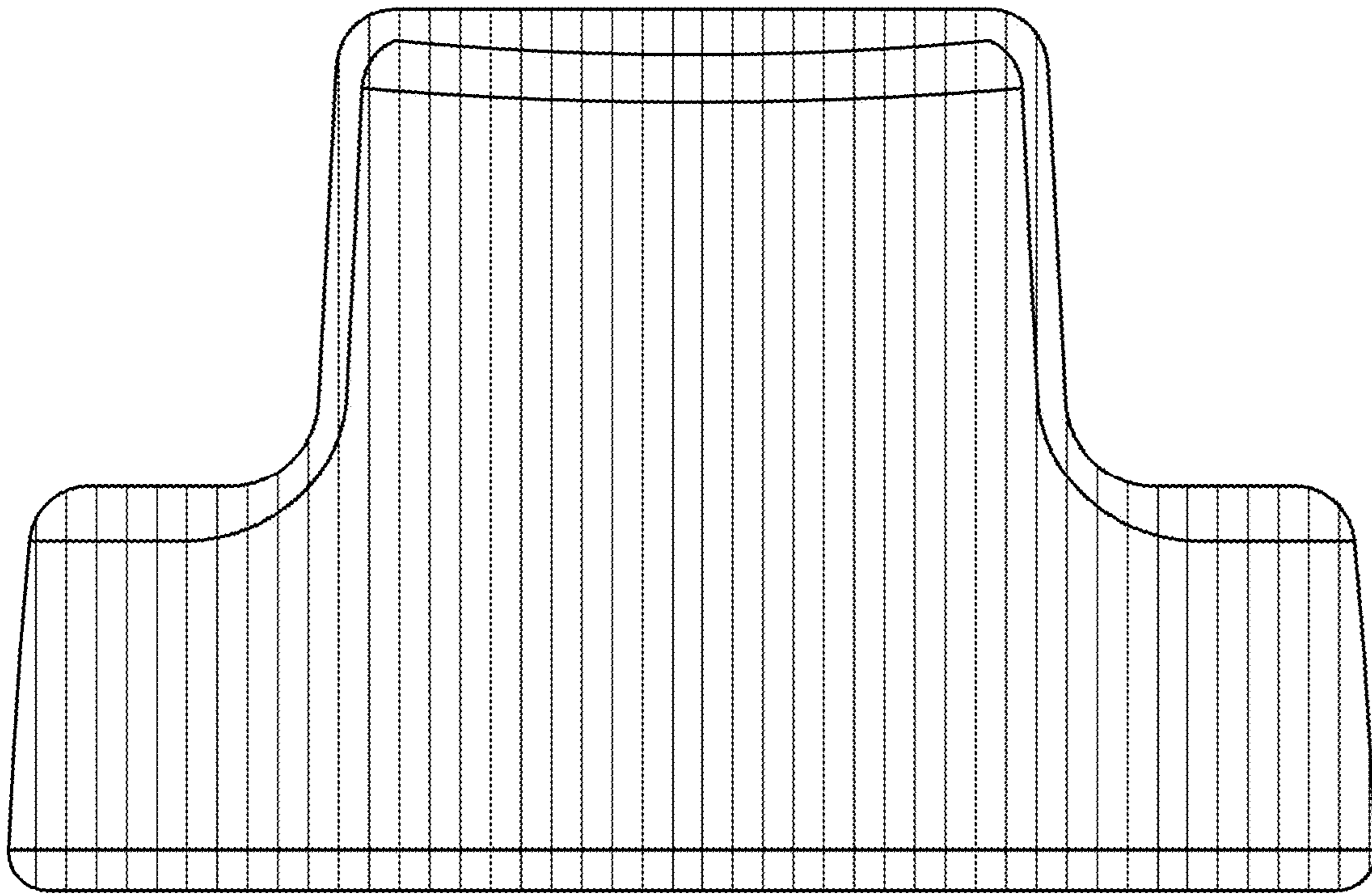


FIG. 9



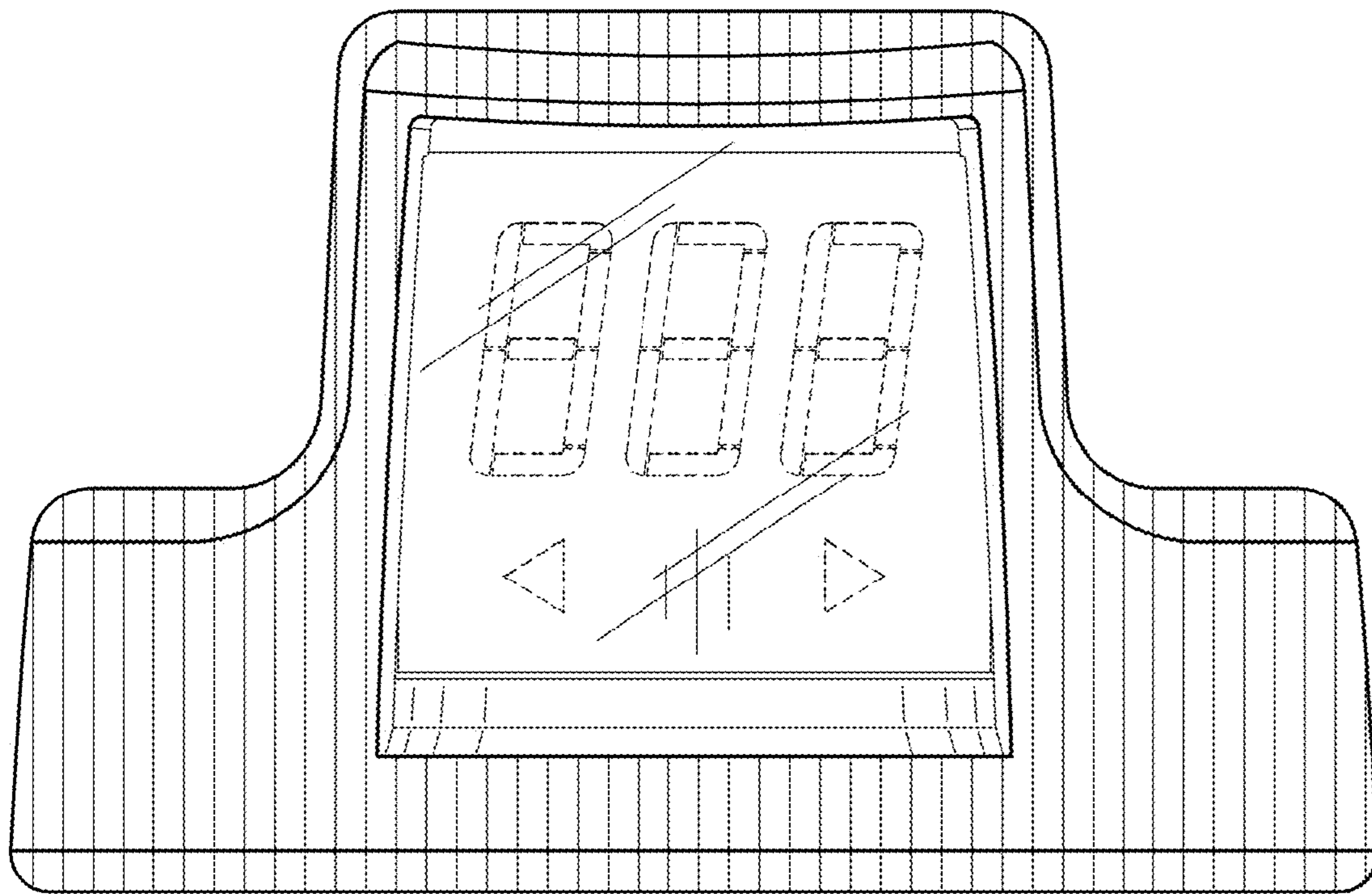


FIG. 10



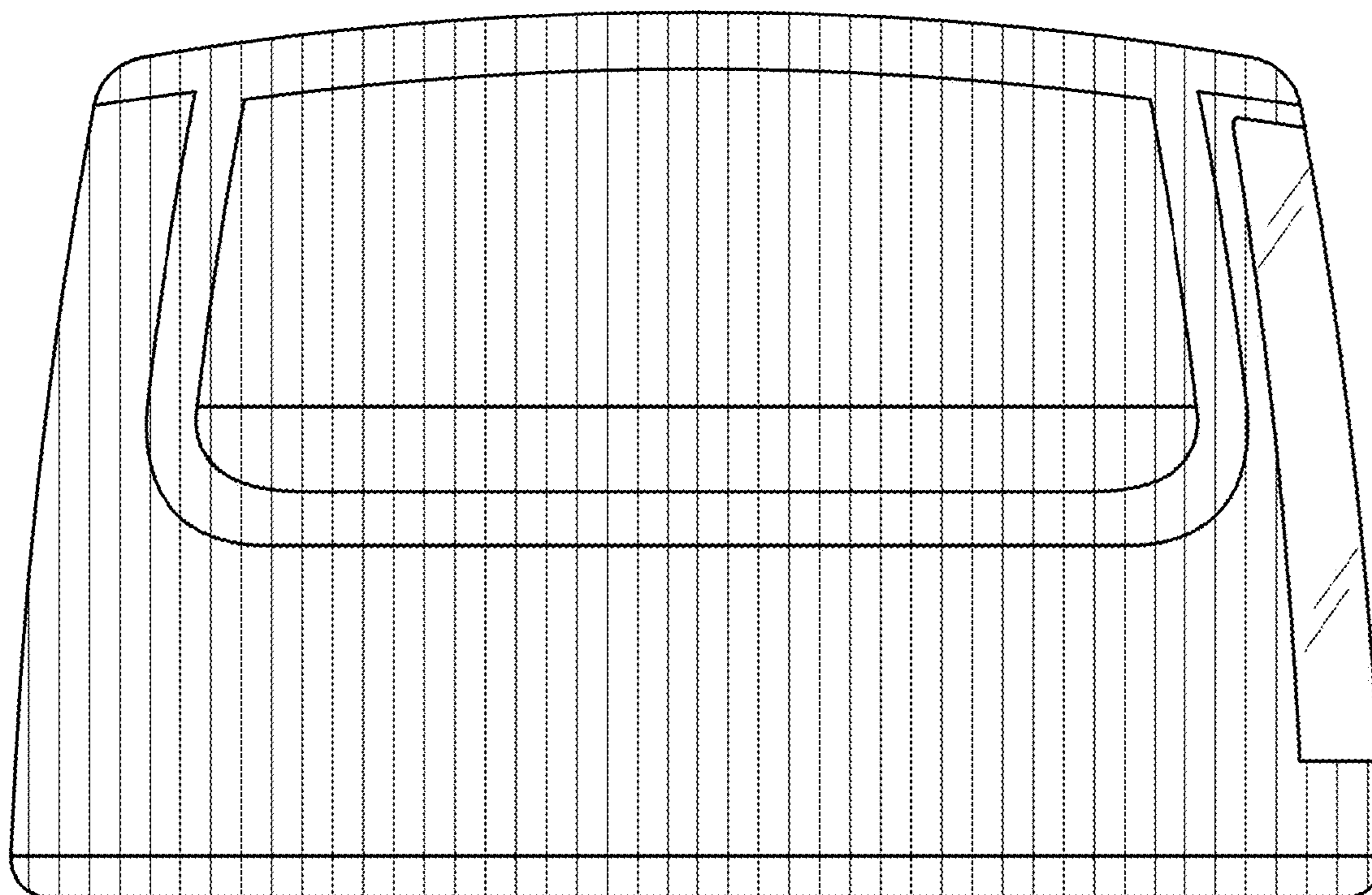


FIG. 11

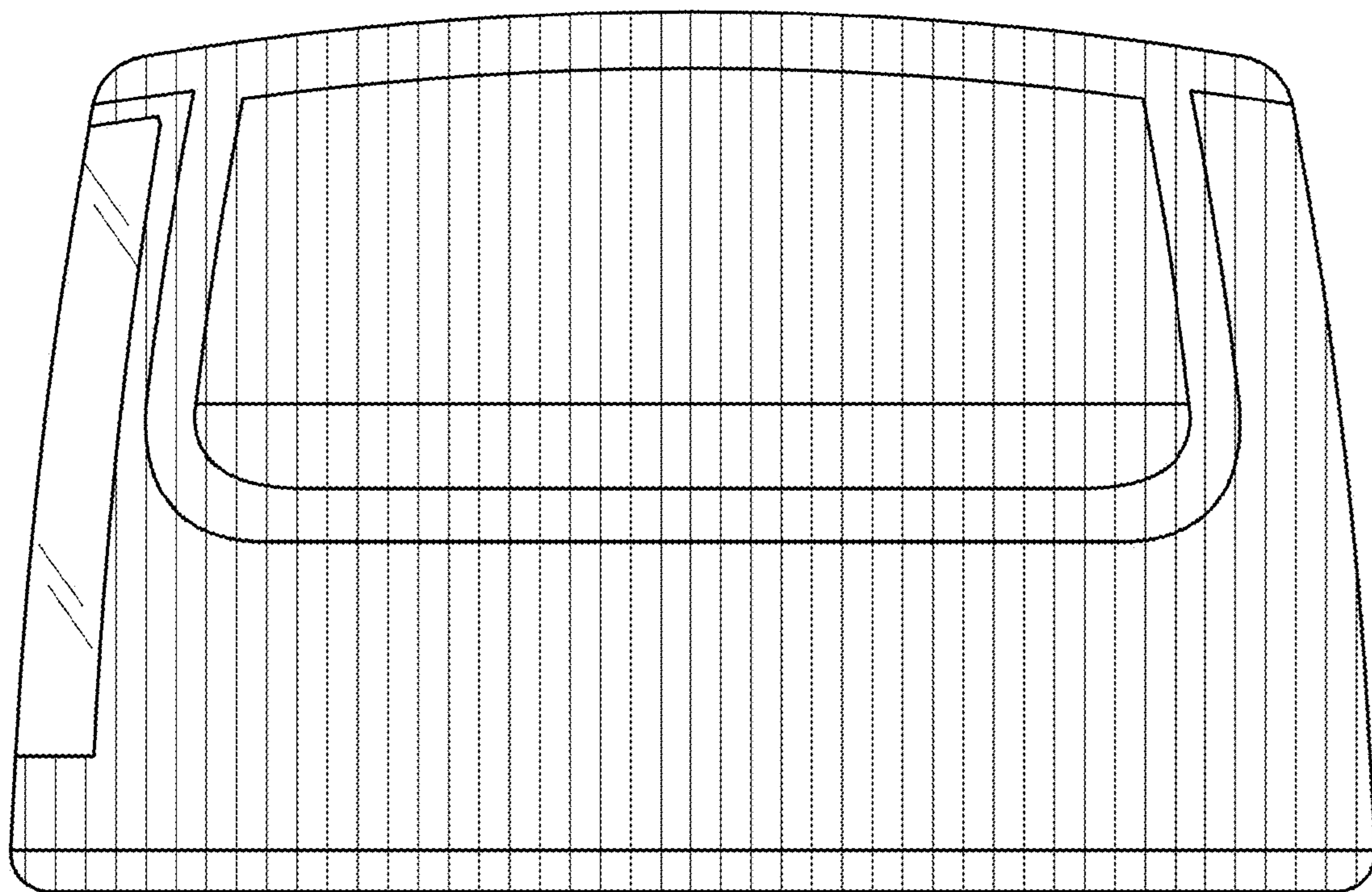


FIG. 12



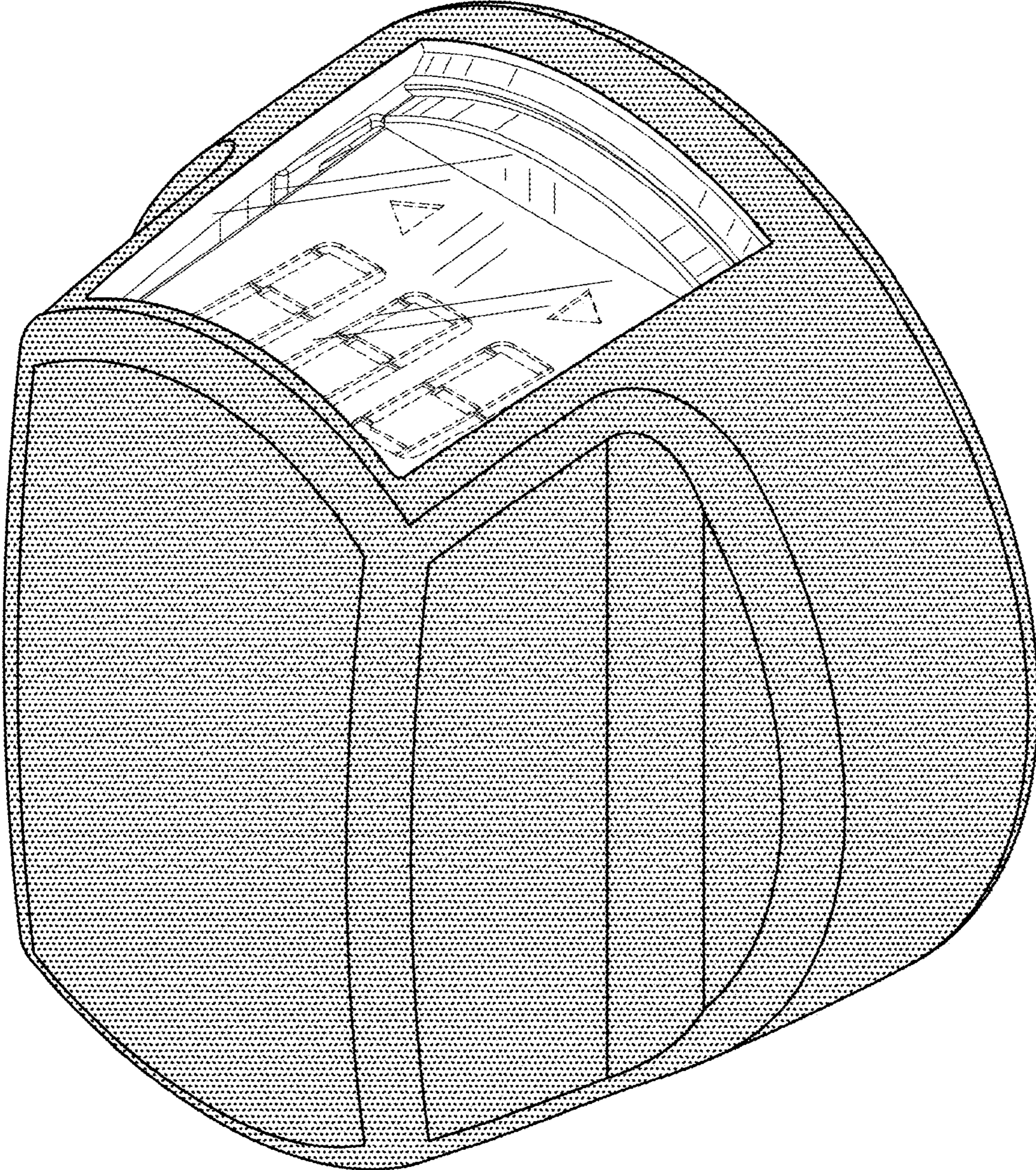


FIG. 13



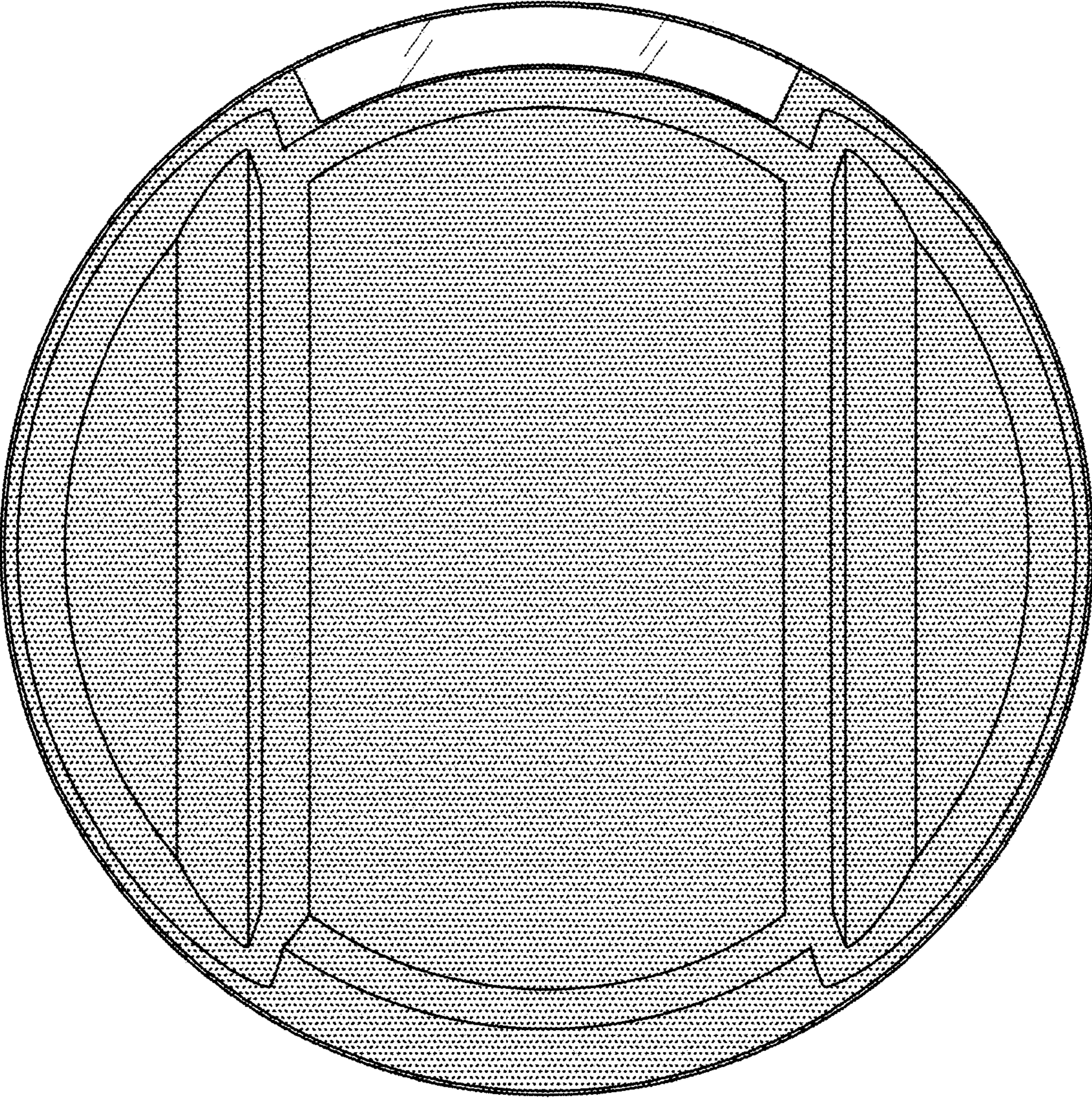


FIG. 14



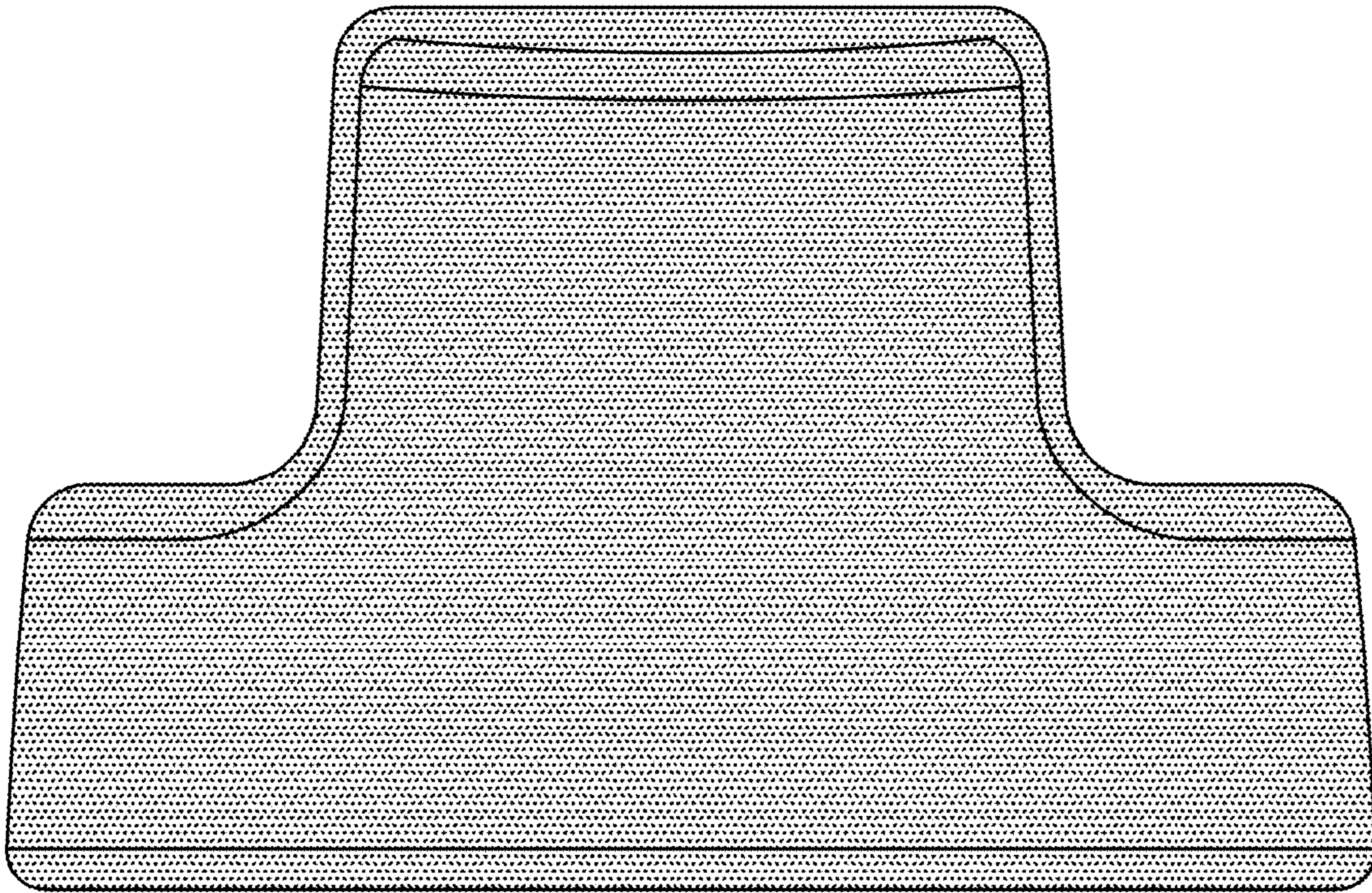


FIG. 15

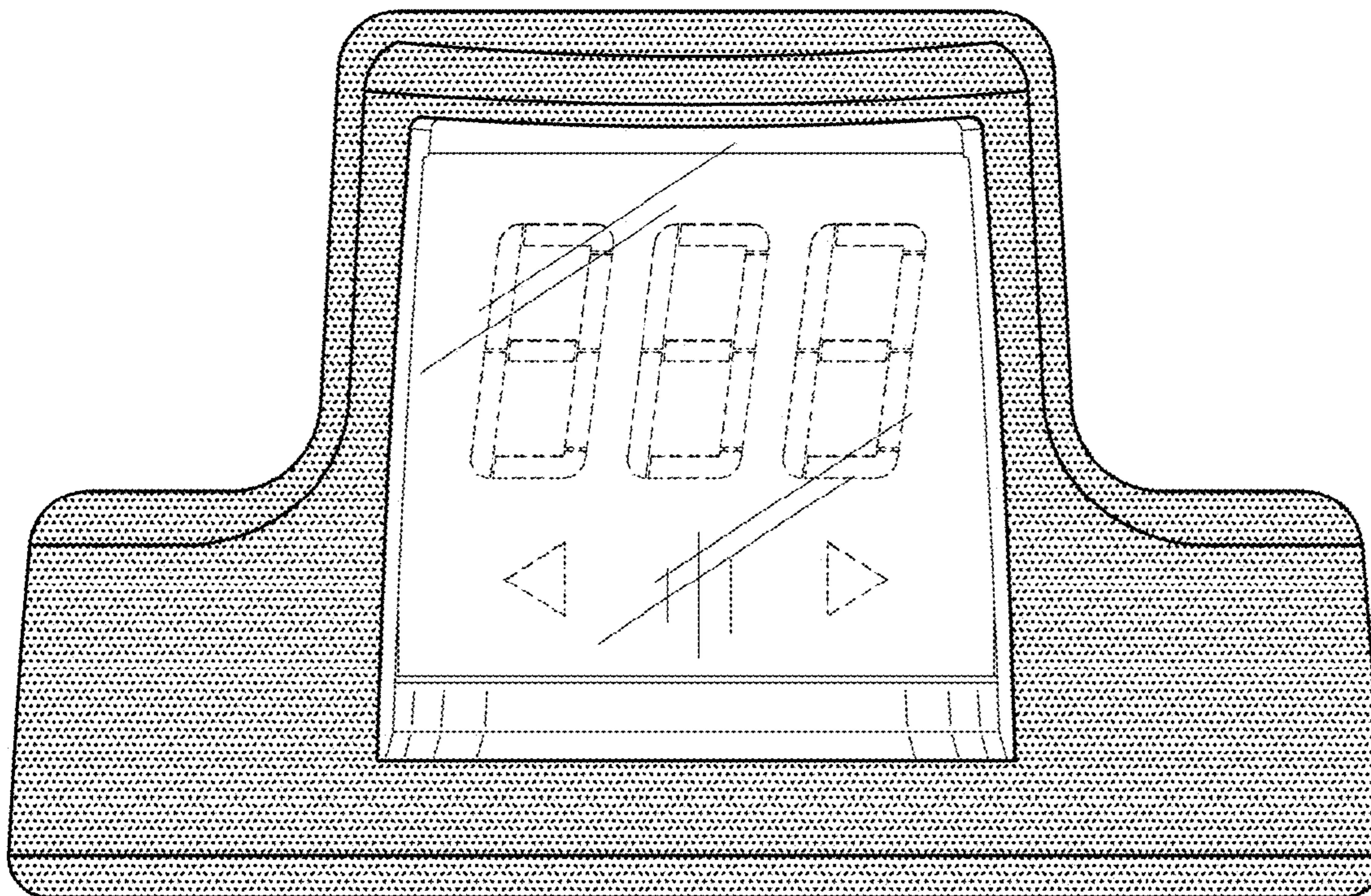


FIG. 16



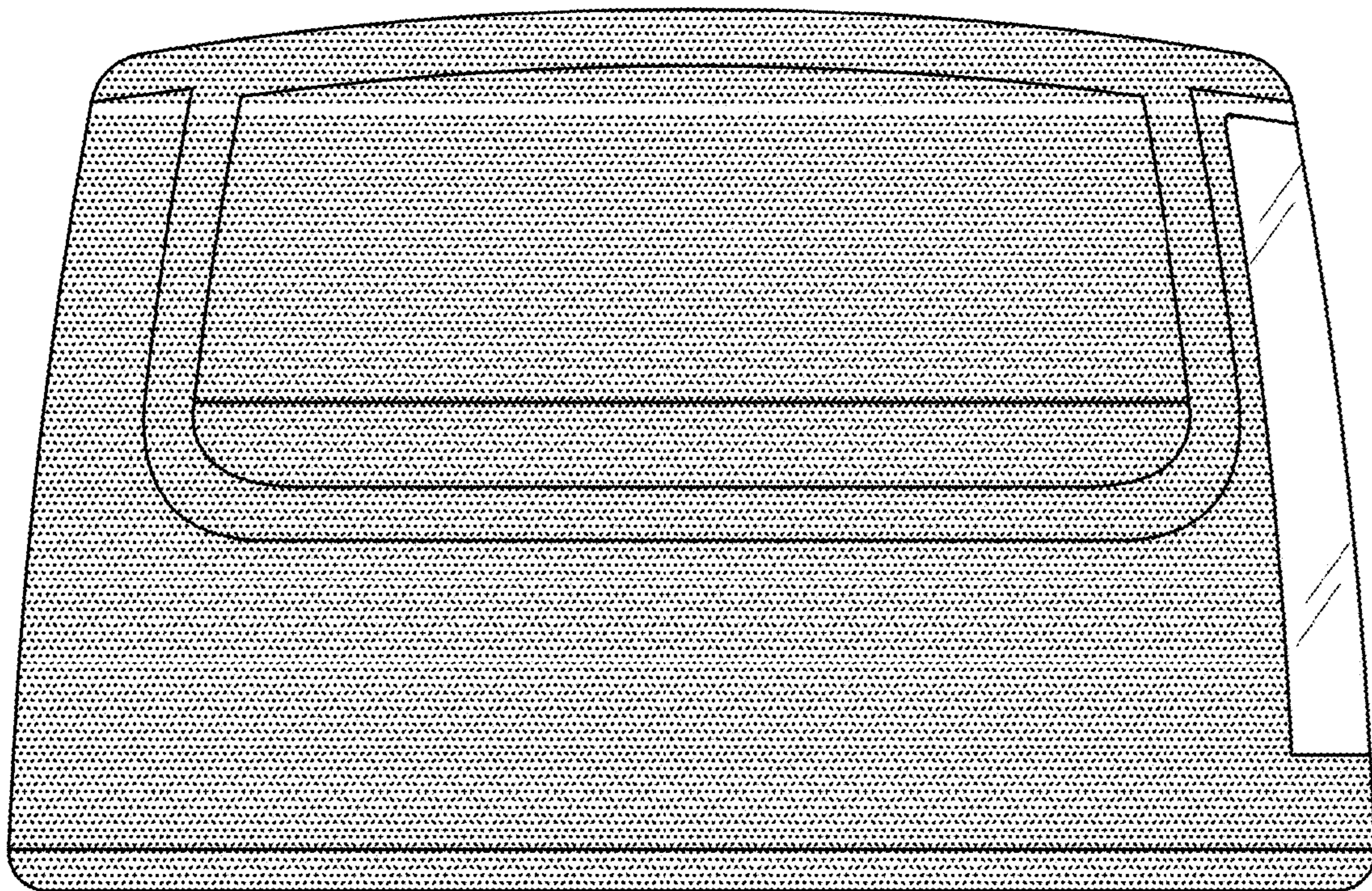


FIG. 17



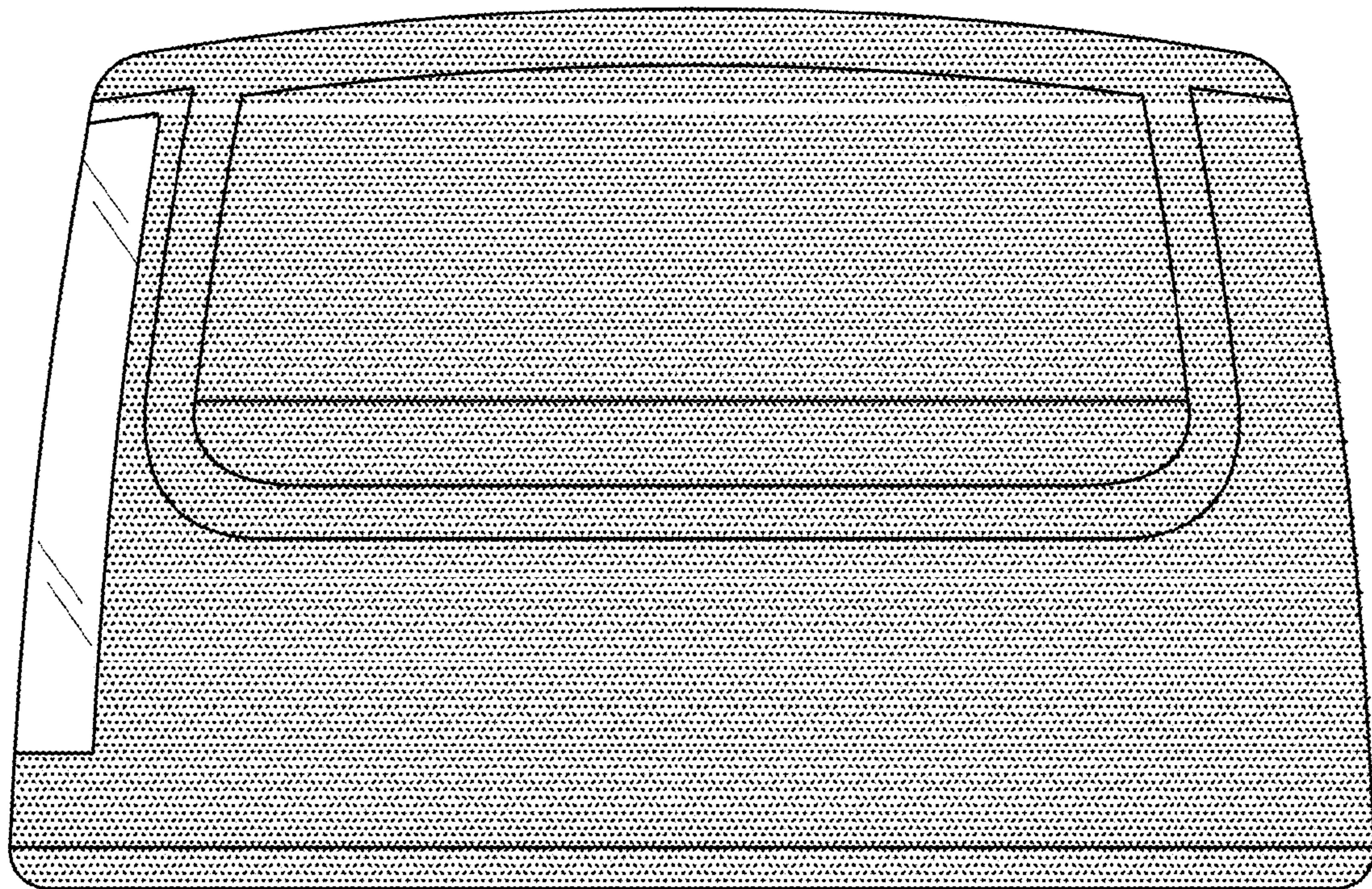


FIG. 18



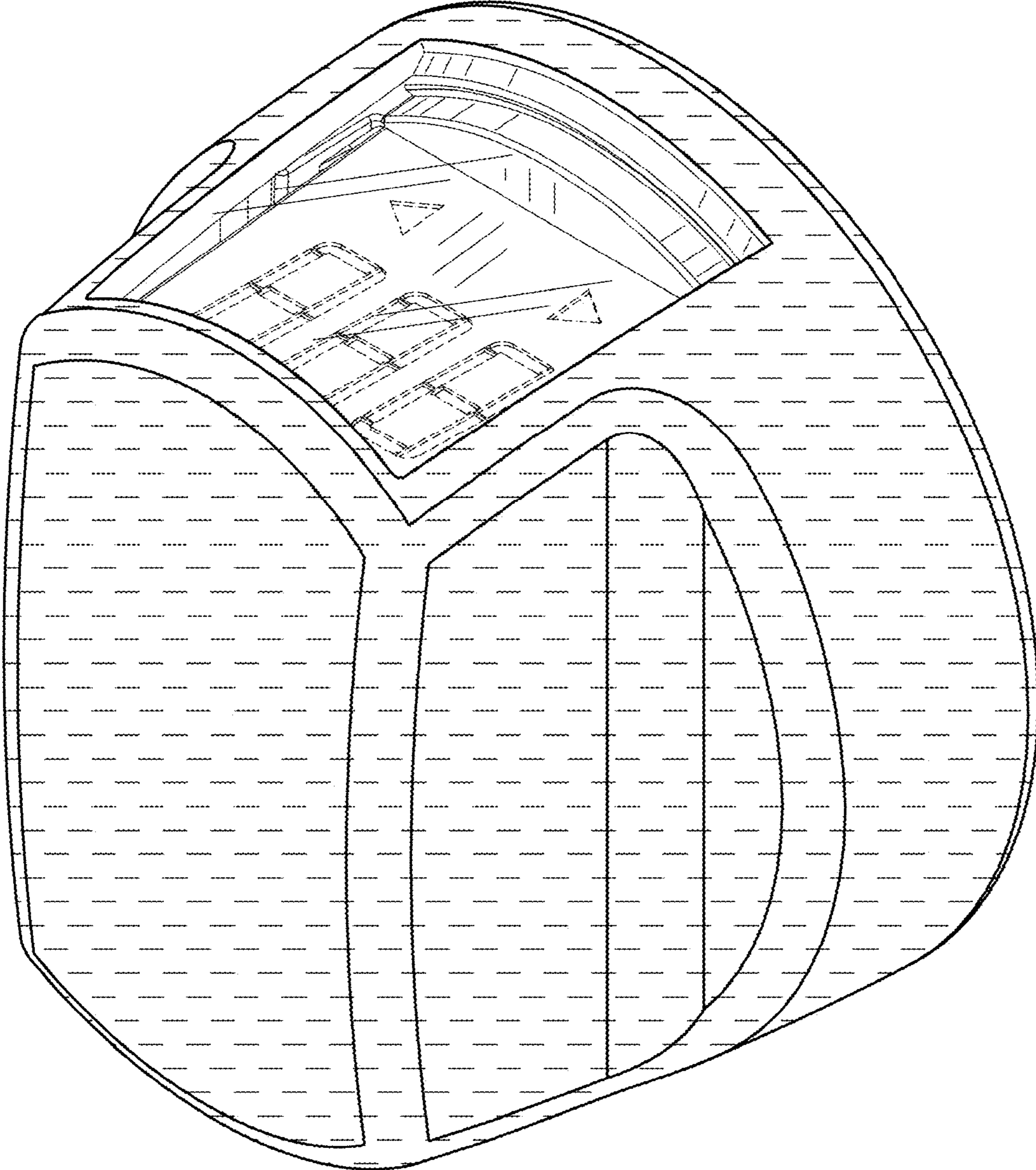


FIG. 19

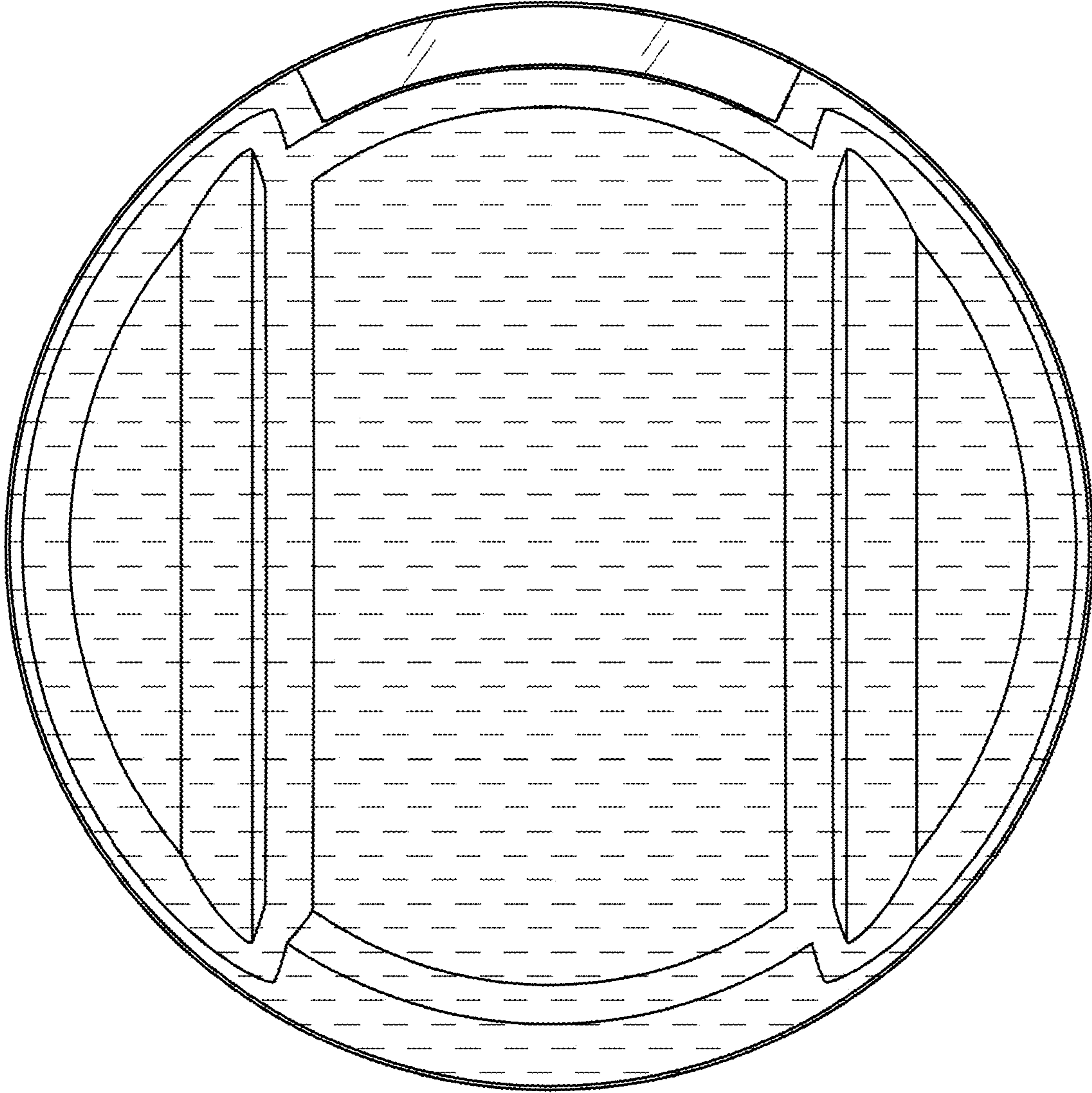


FIG. 20

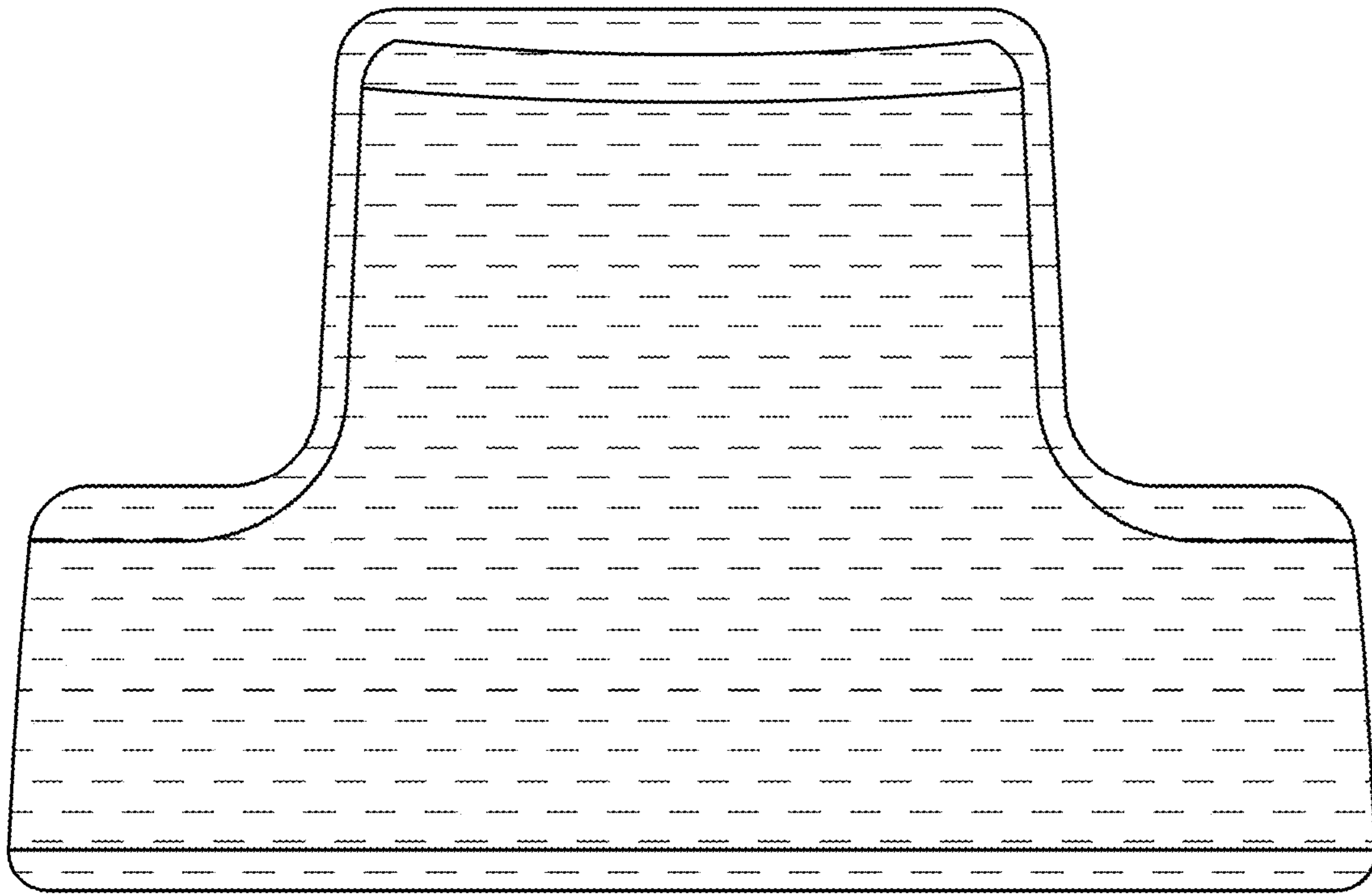


FIG. 21

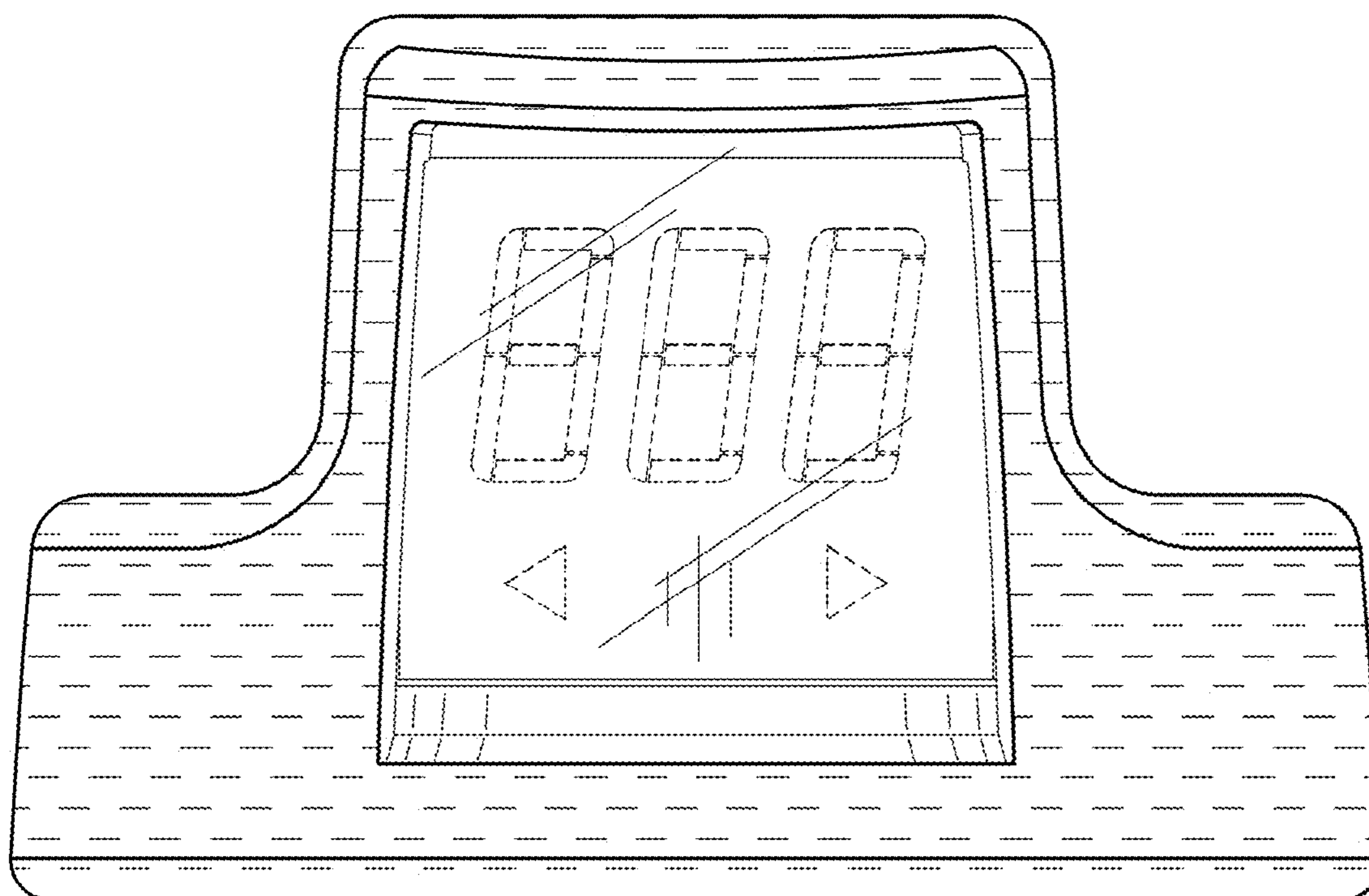


FIG. 22



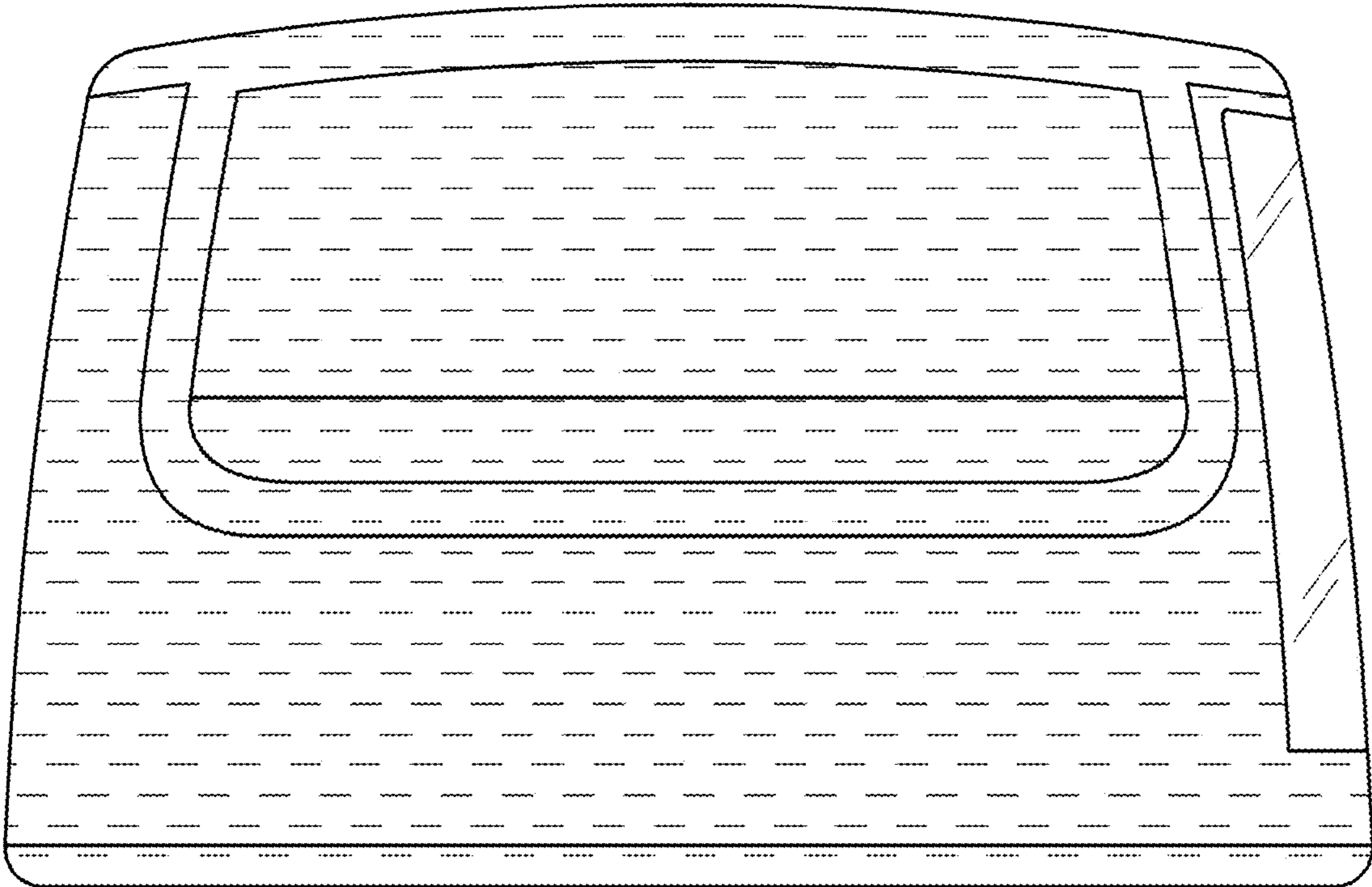


FIG. 23

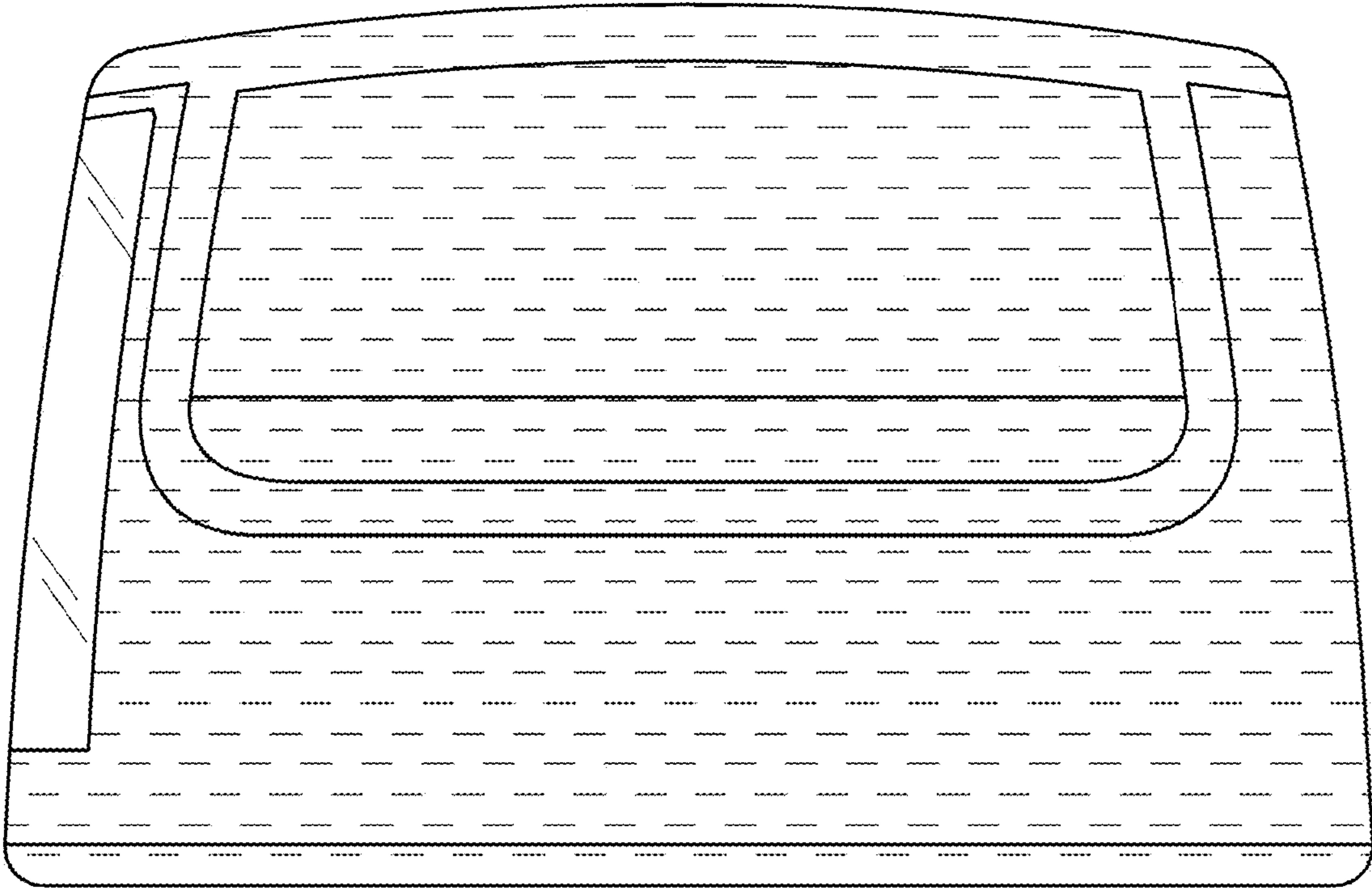


FIG. 24