



US00D924659S

(12) **United States Design Patent** (10) **Patent No.:** **US D924,659 S**
Singtoroj et al. (45) **Date of Patent:** **** Jul. 13, 2021**

(54) **DOOR HANDLE**

(71) Applicant: **Spectrum Brands, Inc.**, Middleton, WI (US)

(72) Inventors: **Yos Singtoroj**, Anaheim, CA (US); **Wei Hsu**, Lake Forest, CA (US)

(73) Assignee: **Spectrum Brands, Inc.**, Middleton, WI (US)

(**) Term: **15 Years**

(21) Appl. No.: **29/727,353**

(22) Filed: **Mar. 10, 2020**

(51) **LOC (13) Cl.** **08-06**

(52) **U.S. Cl.**
USPC **D8/302**

(58) **Field of Classification Search**
USPC D8/300-302, 307-309, 321, 331, 338;
D23/250, 252

CPC Y10T 16/44; Y10T 74/20612; Y10T 74/20732; Y10T 16/458; Y10T 16/498; Y10T 16/469; Y10T 16/476; Y10T 74/20744; Y10T 74/20864; Y10T 16/4628; Y10T 74/20642; Y10T 16/473; Y10T 74/20762; Y10T 74/2042; Y10T 74/20828; Y10T 16/459; Y10T 16/4713; Y10T 74/2014; Y10T 16/50; Y10T 74/20438; Y10T 74/20582; Y10T 74/20738; Y10T 16/48; Y10T 74/20618; Y10T 74/20684; Y10T 74/20624; Y10T 74/20468; Y10T 16/61; Y10T 16/4719; Y10T 16/86; Y10S 16/30; Y10S 292/31; Y10S 292/53; Y10S 16/12; Y10S 292/23; Y10S 292/27; Y10S 292/30; Y10S 292/63; E05B 85/16; E05B 1/0015; E05B 77/06; E05B 79/06; E05B 85/18; E05B 85/12; E05B 85/10; E05B 7/00; E05B 1/0053; E05B 77/265

See application file for complete search history.

(56) **References Cited**

U.S. PATENT DOCUMENTS

D259,915	S	*	7/1981	Pittenger	D8/302
D303,489	S	*	9/1989	Halsted	D8/302
D347,564	S	*	6/1994	Carsello	D8/302
D348,200	S	*	6/1994	Carsello	D8/302
D361,706	S	*	8/1995	Carsello	D8/302
D425,392	S	*	5/2000	Lin	D8/302
D806,501	S	*	1/2018	Chiang	
D812,446	S	*	3/2018	Schneider	D8/302
2005/0156439	A1	*	7/2005	Furlong	E05B 63/0056 292/336.3
2009/0314042	A1	*	12/2009	Fan	E05B 53/00 70/141
2010/0201137	A1	*	8/2010	Wartel	E05B 13/005 292/336.3
2019/0048616	A1	*	2/2019	Morse	E05B 85/14

* cited by examiner

Primary Examiner — Lauren R Calve

(74) *Attorney, Agent, or Firm* — Banner & Witcoff, Ltd.

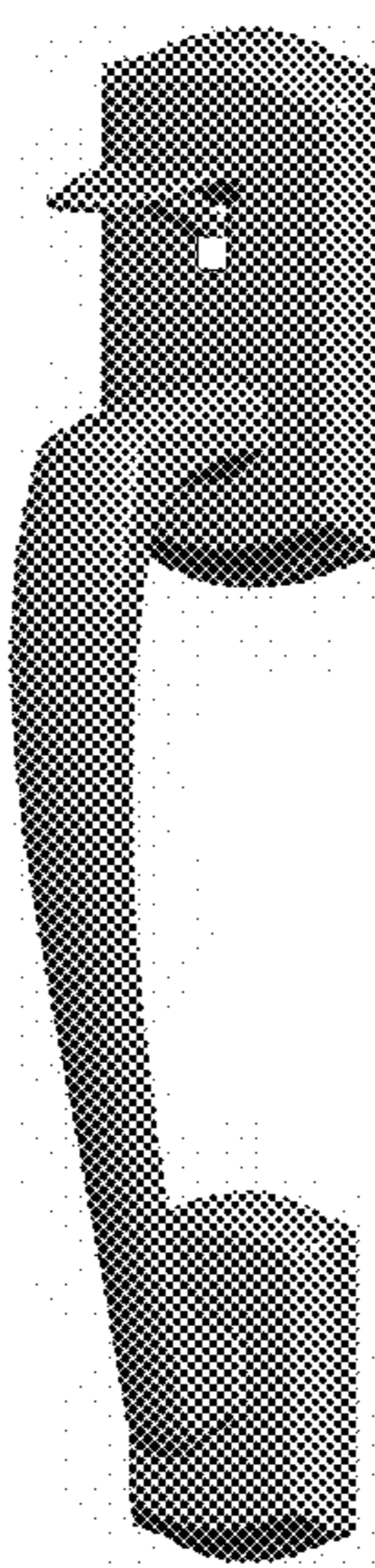
(57) **CLAIM**

The ornamental design for a door handle, as shown and described.

DESCRIPTION

FIG. 1 is a right perspective view of a door handle showing our new design;
FIG. 2 is a left perspective view thereof;
FIG. 3 is a front view thereof;
FIG. 4 is a top view thereof;
FIG. 5 is a bottom view thereof;
FIG. 6 is a right side view thereof; and,
FIG. 7 is a left side view thereof.
The broken lines representing the opening for the thumb press form no part of the claimed design.

1 Claim, 7 Drawing Sheets



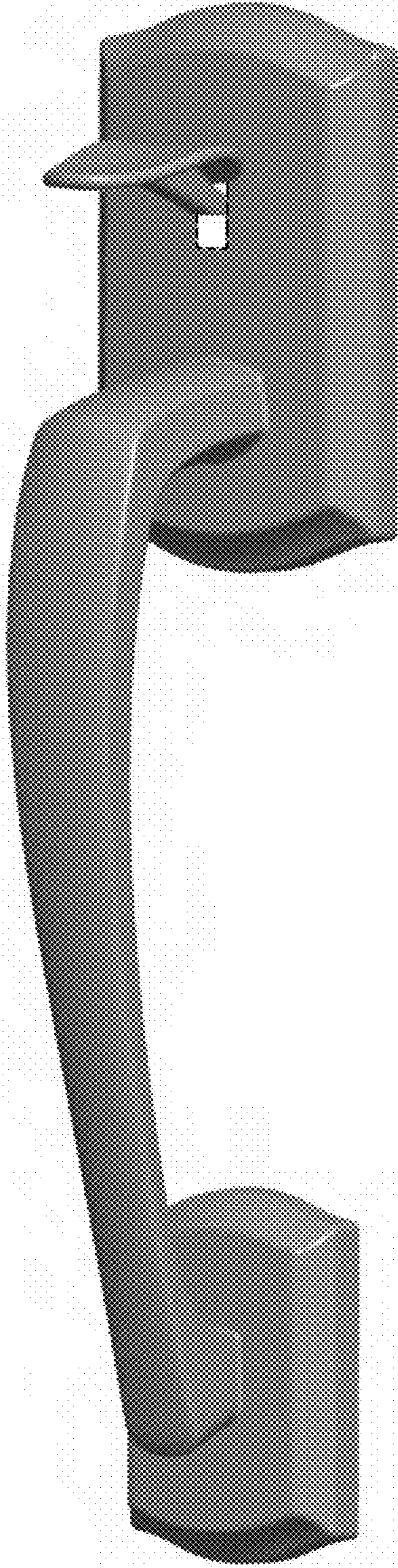


FIG. 1

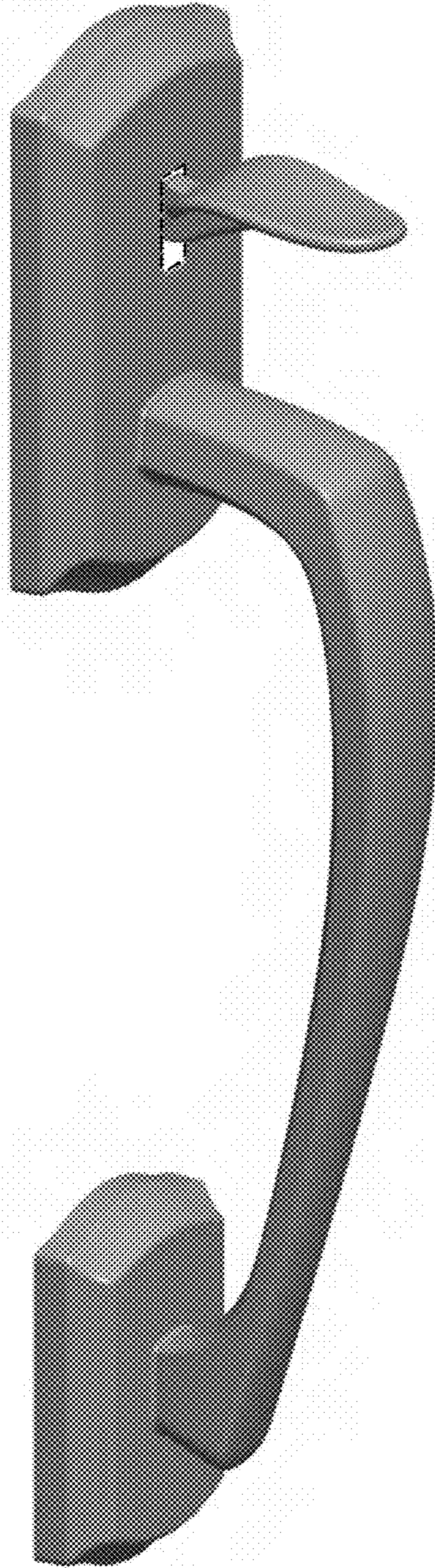


FIG. 2

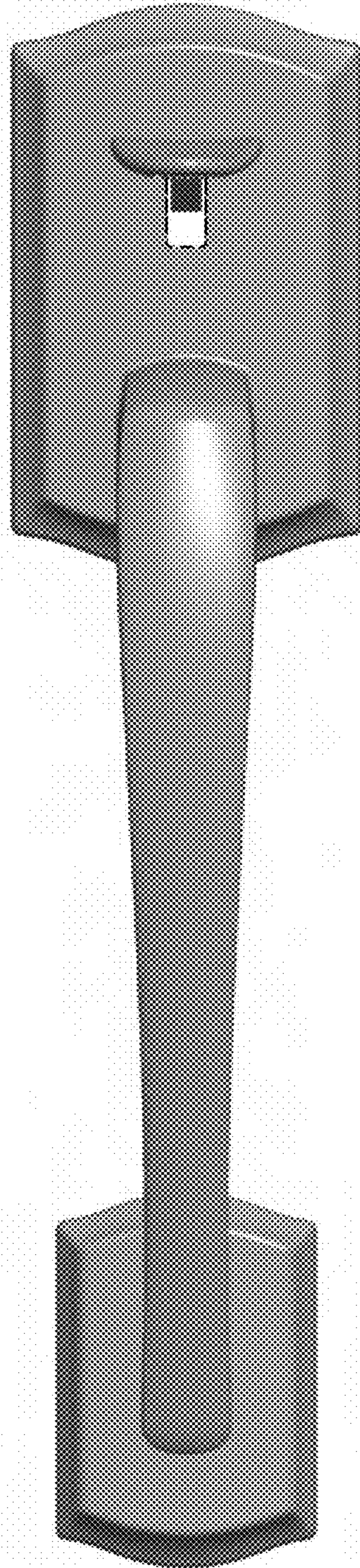


FIG. 3

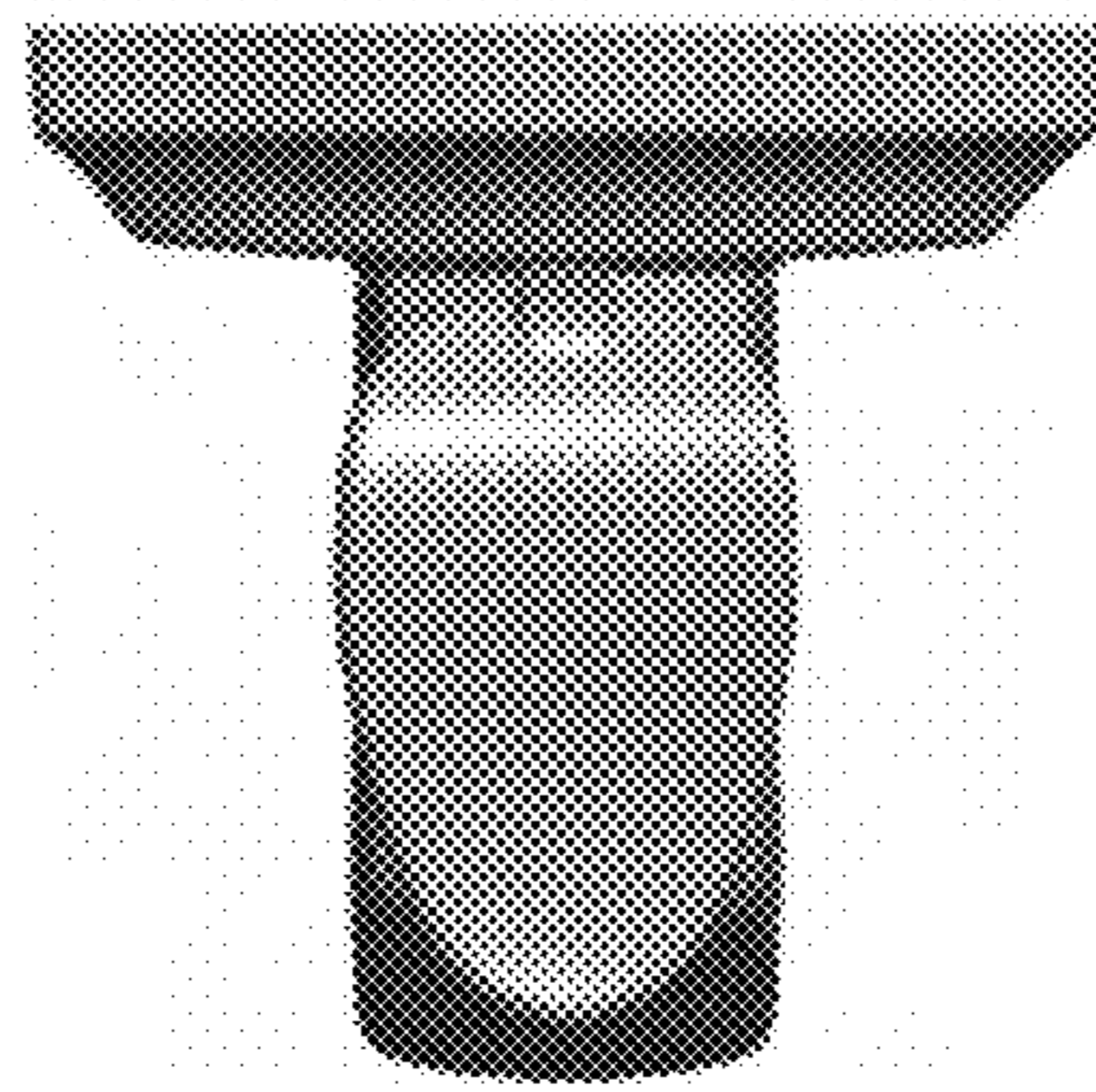


FIG. 4

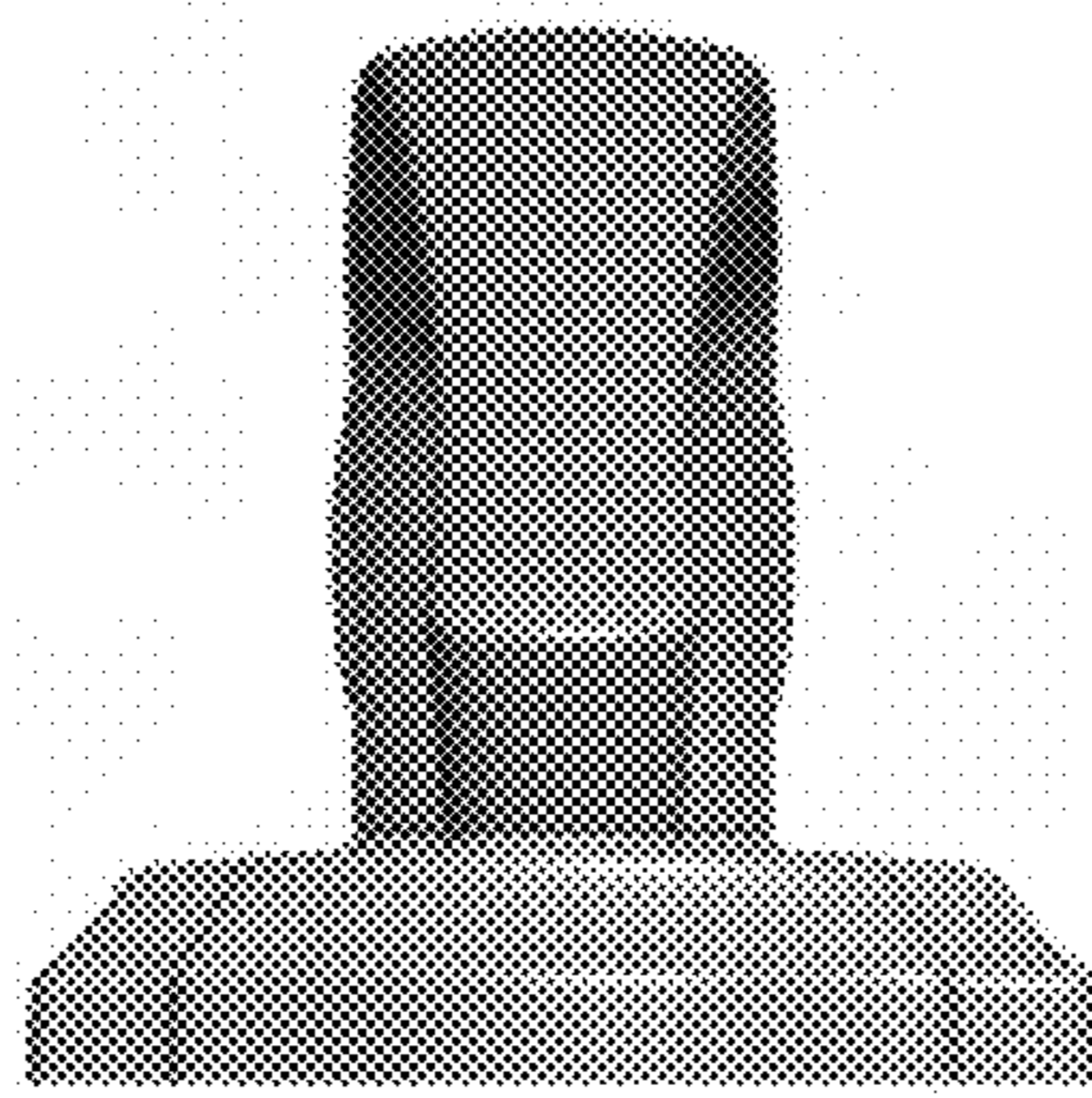


FIG. 5

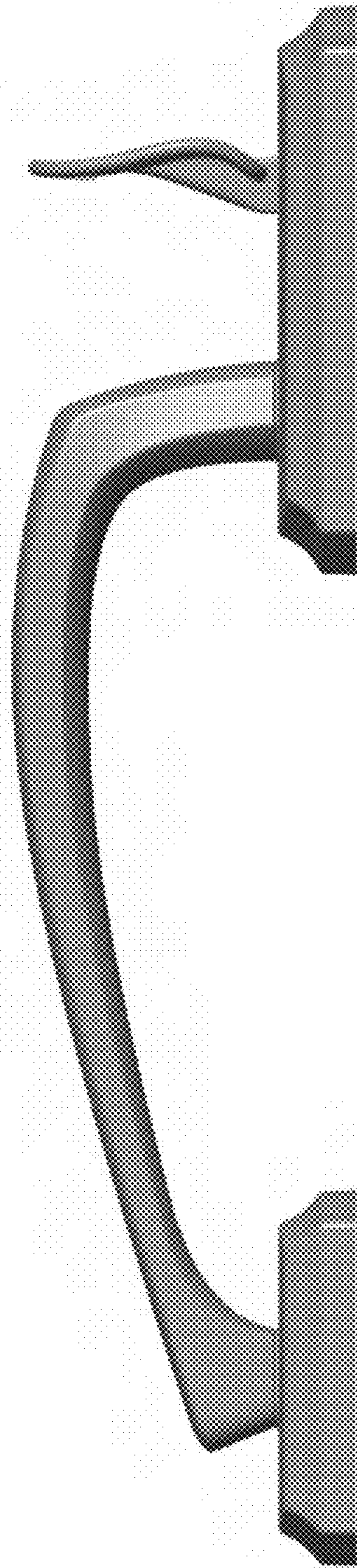


FIG. 6

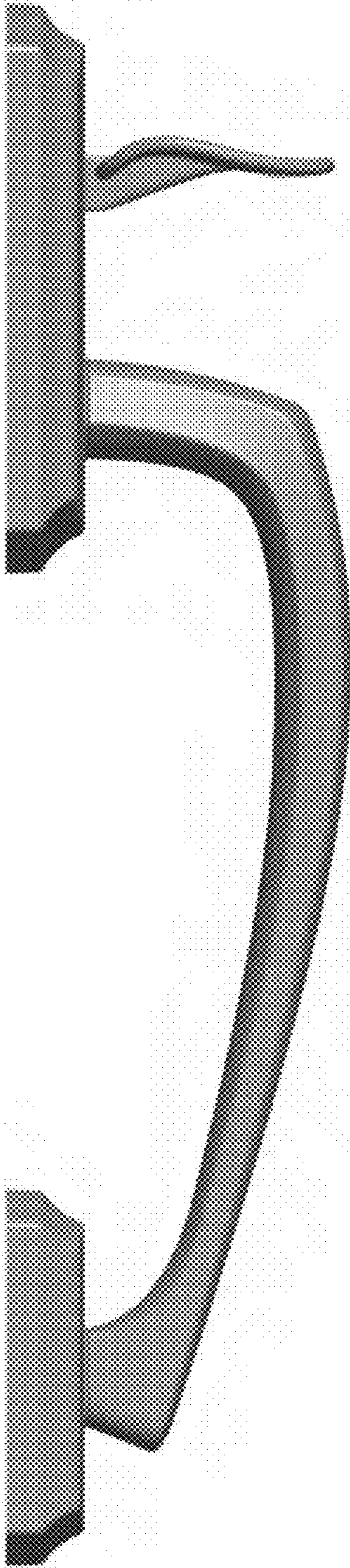


FIG. 7