



US00D924658S

(12) **United States Design Patent** (10) **Patent No.:** **US D924,658 S**
Lin (45) **Date of Patent:** **** Jul. 13, 2021**

(54) **TOOL HANDLE**

(71) Applicant: **Chih-Hung Lin**, Taichung (TW)

(72) Inventor: **Chih-Hung Lin**, Taichung (TW)

(**) Term: **15 Years**

(21) Appl. No.: **29/715,566**

(22) Filed: **Dec. 3, 2019**

(51) **LOC (13) Cl.** **08-05**

(52) **U.S. Cl.**
USPC **D8/107**

(58) **Field of Classification Search**
USPC D8/14, 52, 107, 300; D7/395; D32/46,
D32/49; D24/133
CPC Y10T 16/44; Y10T 16/498; Y10T 16/47;
Y10T 16/4986; B25F 1/00; B25B 7/00;
B25G 1/10; B25G 1/102

See application file for complete search history.

(56) **References Cited**

U.S. PATENT DOCUMENTS

- 6,134,994 A * 10/2000 Gomas B25B 7/00
16/430
- D468,988 S * 1/2003 Goldmann, II D8/107
- D494,040 S * 8/2004 Phillips D8/107
- D532,662 S * 11/2006 Chang D8/52
- D577,563 S * 9/2008 Chen D8/107
- D577,981 S * 10/2008 Peterson D8/107
- D619,869 S * 7/2010 Garcia D8/107
- D619,870 S * 7/2010 Garcia D8/107
- D623,919 S * 9/2010 Chang D8/107
- D680,398 S * 4/2013 Ritter D8/52
- D730,707 S * 6/2015 Reedy D8/52

- D762,434 S * 8/2016 Christopher D8/52
- D766,689 S * 9/2016 Ritter D8/52
- D804,275 S * 12/2017 Ou D8/107
- D830,797 S * 10/2018 Zhang D8/5
- D835,491 S * 12/2018 Zhang D8/107
- D861,455 S * 10/2019 Chang D8/107
- 2009/0049960 A1 * 2/2009 Heinsohn B25B 7/08
81/416

* cited by examiner

Primary Examiner — Philip S Hyder

(74) *Attorney, Agent, or Firm* — Muncy, Geissler, Olds & Lowe, P.C.

(57) **CLAIM**

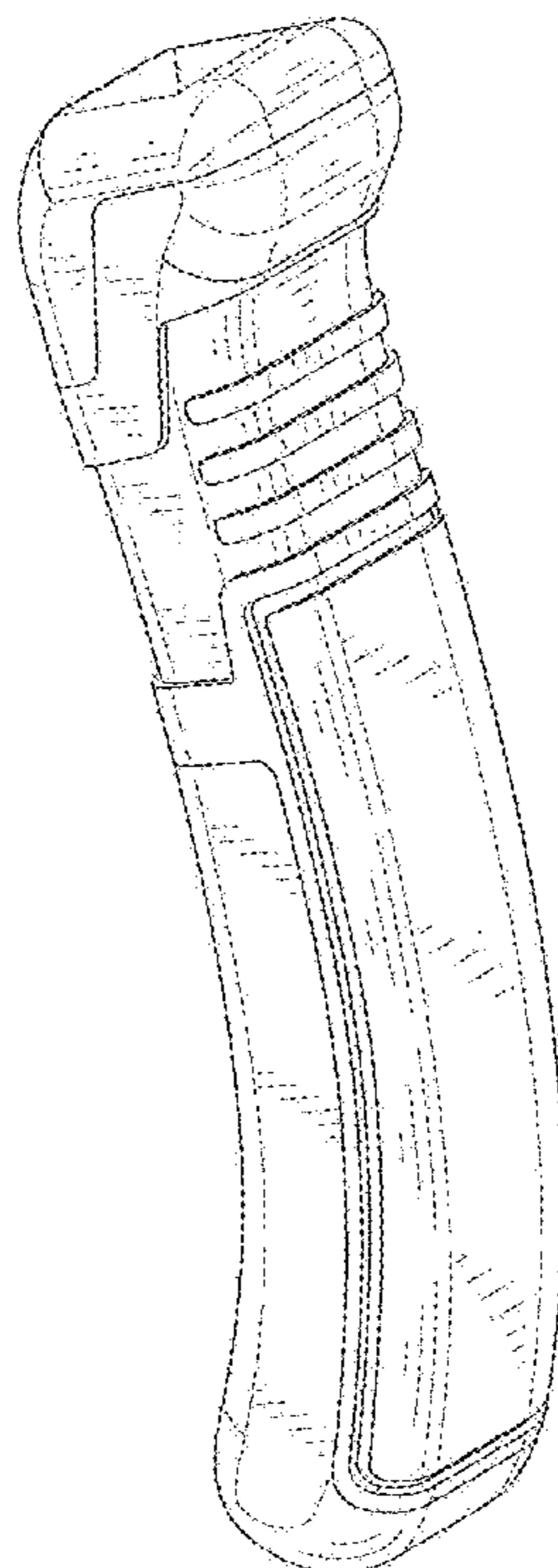
I claim the ornamental design for a tool handle, as shown and described.

DESCRIPTION

FIG. 1 is a top, front, right perspective view of a tool handle showing my new design;
 FIG. 2 is a front elevational view thereof;
 FIG. 3 is a rear elevational view thereof;
 FIG. 4 is a left side view thereof;
 FIG. 5 is a right side view thereof;
 FIG. 6 is a top plan view thereof;
 FIG. 7 is a bottom plan view thereof; and
 FIG. 8 is a top, front, left perspective view thereof; and,
 FIG. 9 is a front elevational view showing the tool handle in use.

The broken lines in the drawings illustrate portions of the tool handle which form no part of the claimed design.

1 Claim, 7 Drawing Sheets



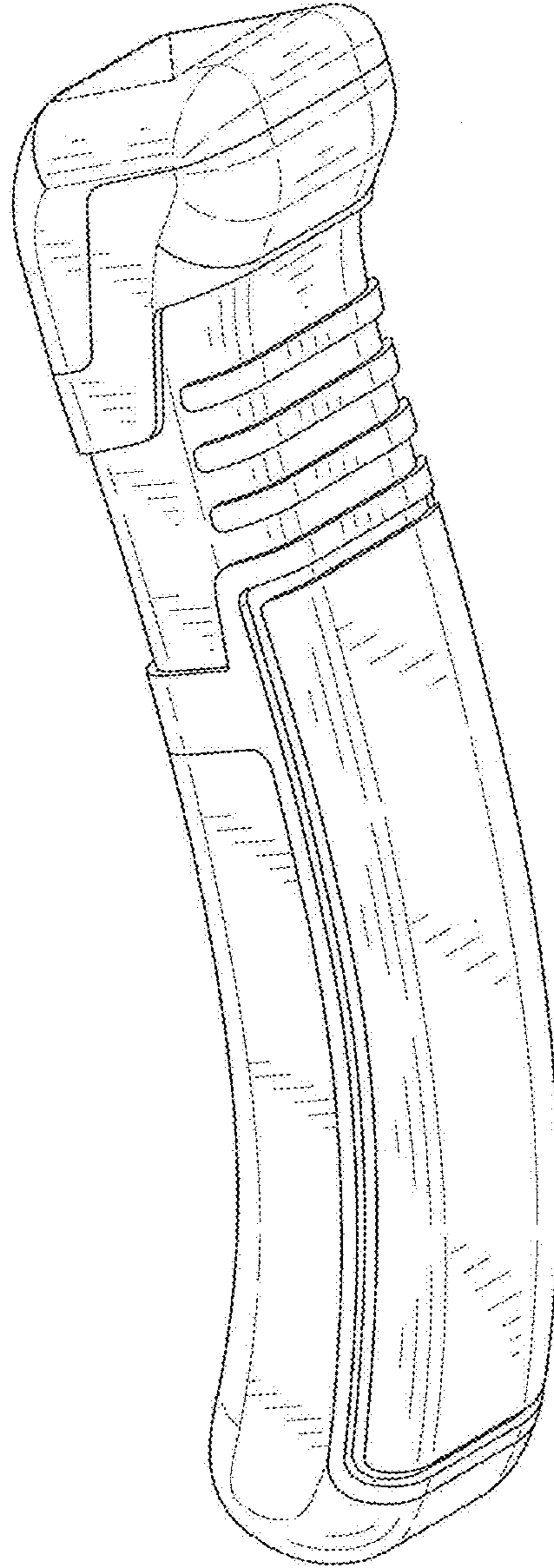


FIG. 1

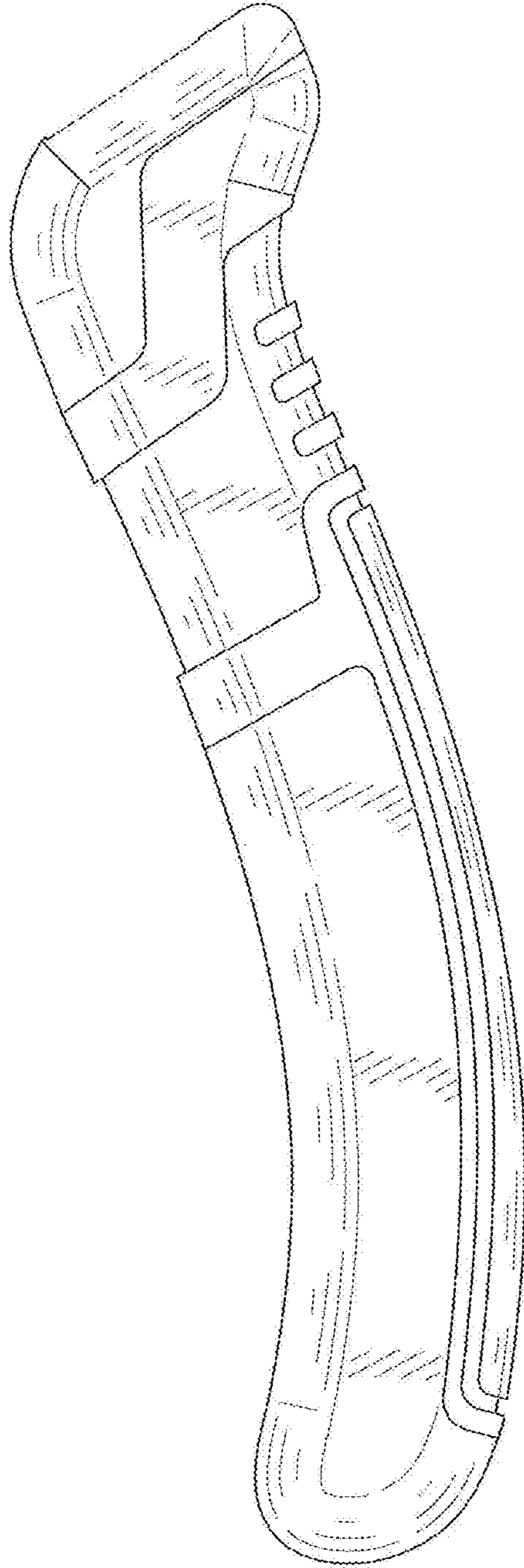


FIG. 2

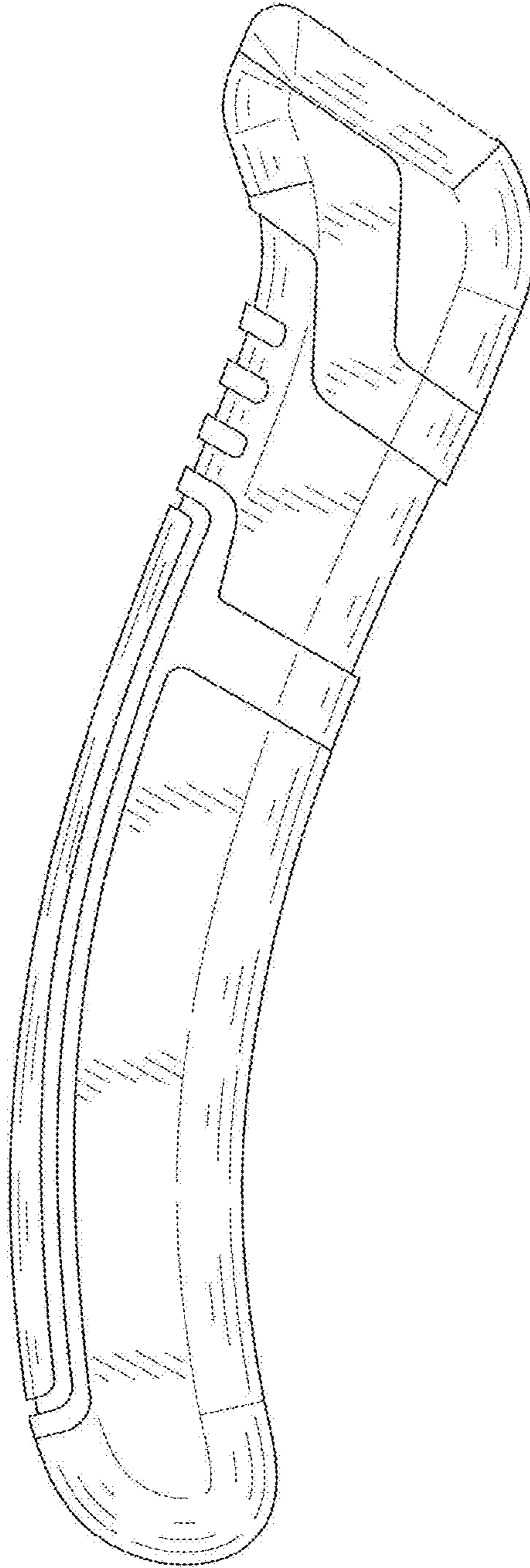


FIG. 3

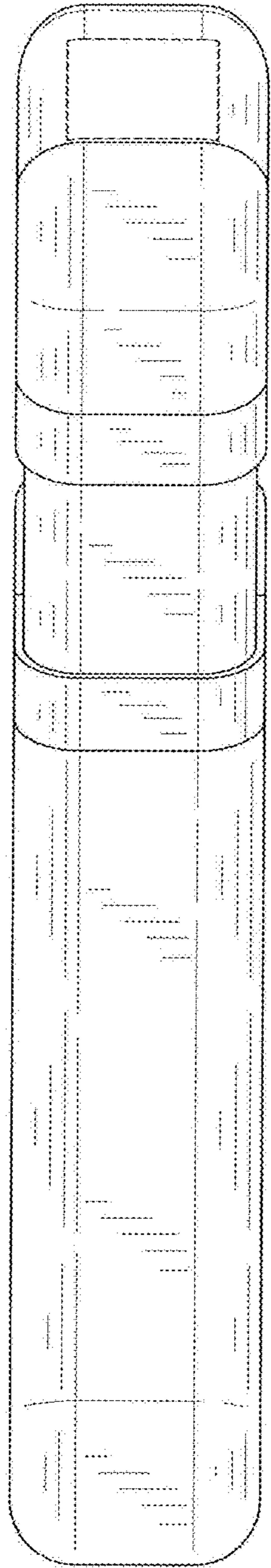


FIG. 4

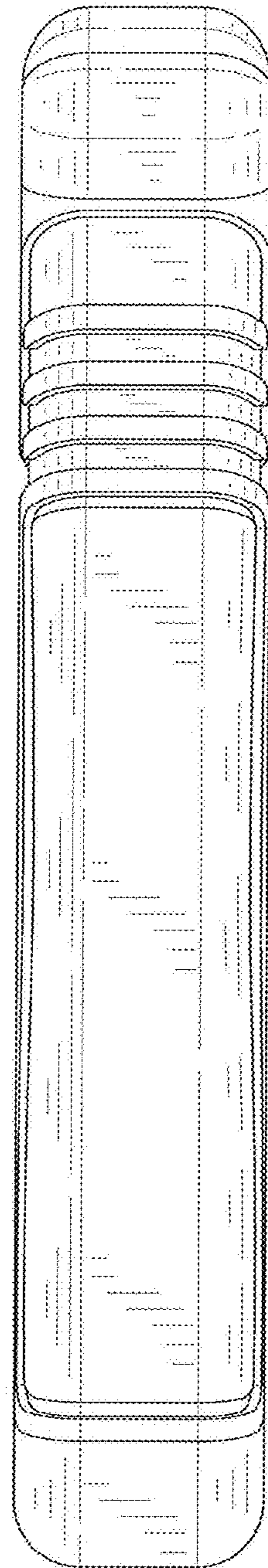


FIG. 5

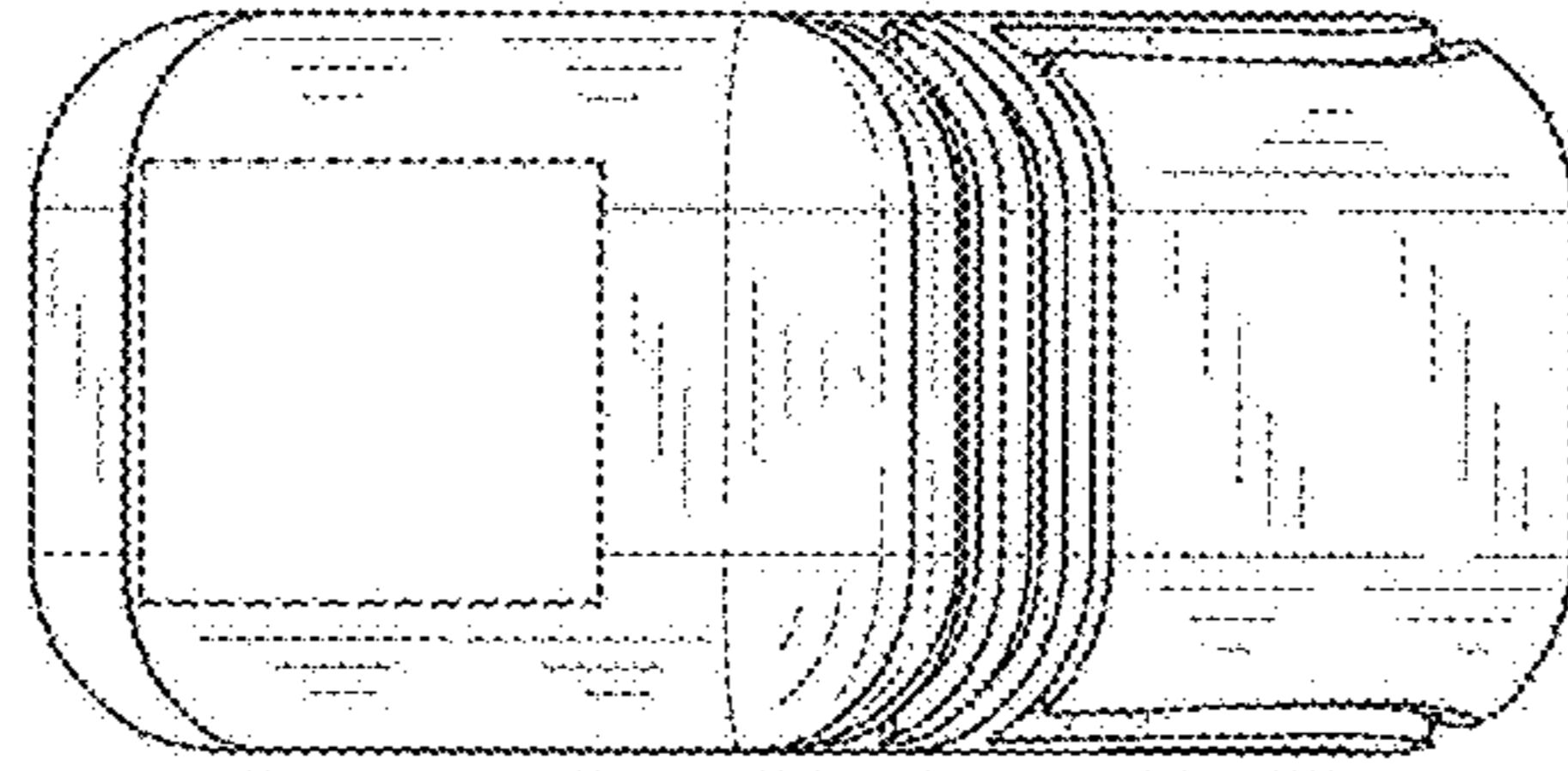


FIG. 6

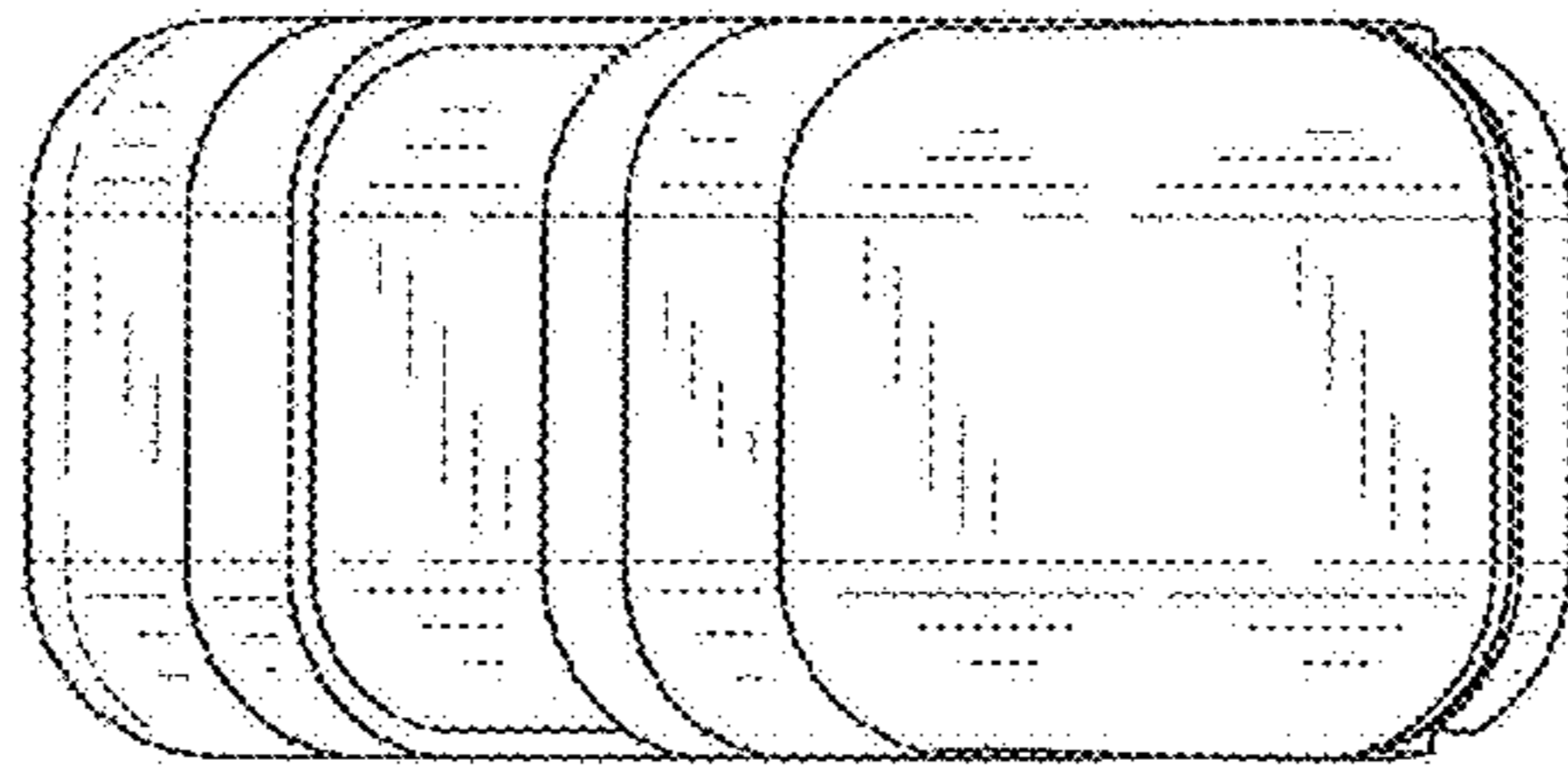


FIG. 7

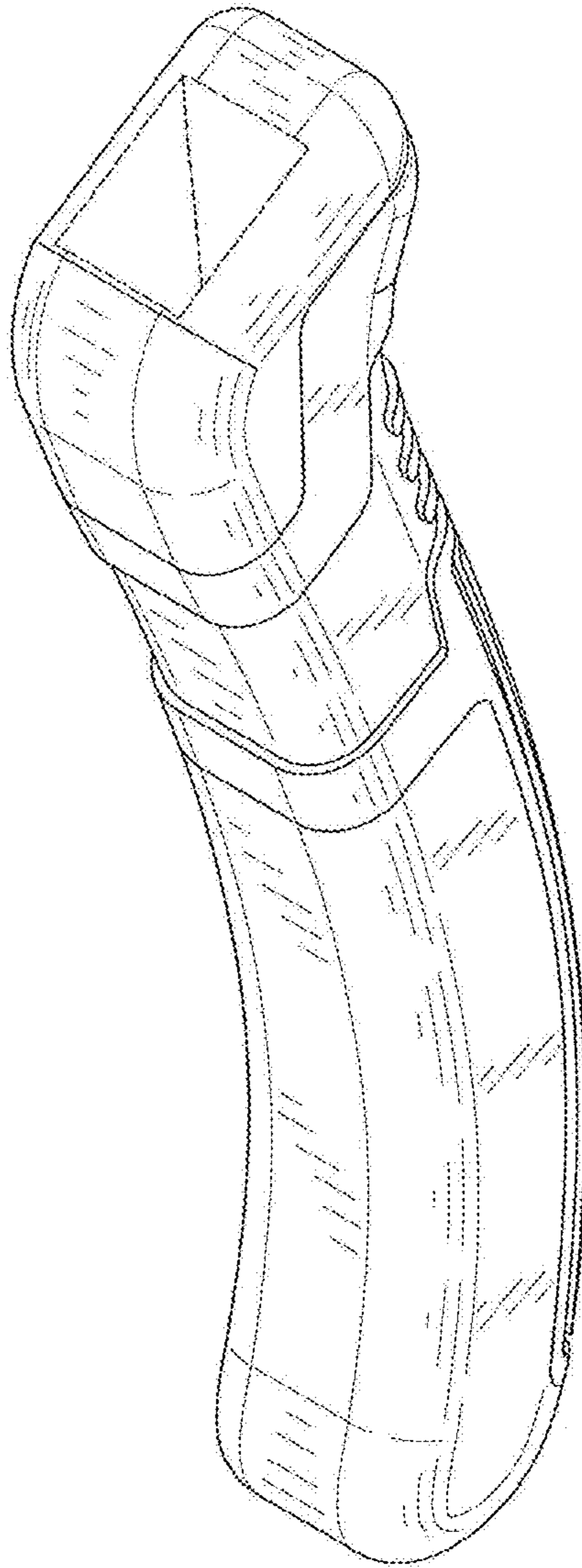


FIG. 8

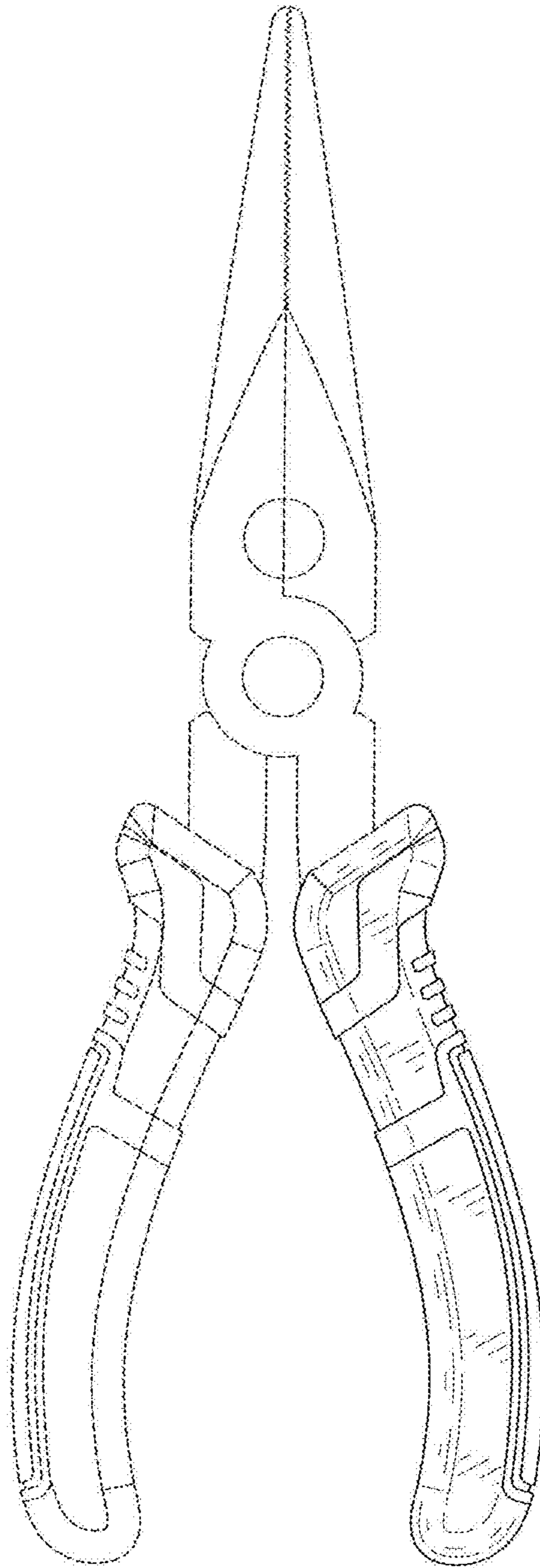


FIG. 9