



US00D924656S

(12) **United States Design Patent** (10) **Patent No.:** **US D924,656 S**  
**Marfione et al.** (45) **Date of Patent:** **\*\* Jul. 13, 2021**

(54) **POCKET KNIFE**

(71) Applicants: **Anthony Louis Marfione**, Fletcher, NC  
(US); **Kyle Chumchal**, Fletcher, NC  
(US)

(72) Inventors: **Anthony Louis Marfione**, Fletcher, NC  
(US); **Kyle Chumchal**, Fletcher, NC  
(US)

(73) Assignee: **Microtech Knives, Inc.**, Bradford, PA  
(US)

(\*\*) Term: **15 Years**

(21) Appl. No.: **29/731,292**

(22) Filed: **Apr. 14, 2020**

(51) **LOC (13) Cl.** ..... **08-03**

(52) **U.S. Cl.**  
USPC ..... **D8/99**

(58) **Field of Classification Search**  
USPC ..... D8/98, 99, 100, 105, 107; D22/118  
CPC .... B26B 1/00; B26B 1/02; B26B 1/04; B26B  
1/042; B26B 1/044; B26B 1/048; B26B  
1/08; B26B 1/10

See application file for complete search history.

(56) **References Cited**

U.S. PATENT DOCUMENTS

D265,719 S	8/1982	Dowdy	
D276,887 S	12/1984	Sakurai	
D347,375 S	5/1994	Sakai	
D385,173 S	10/1997	McWillis	
D387,966 S	12/1997	Horn	
D389,389 S	1/1998	Glesser	
5,819,414 A *	10/1998	Marfione	..... B26B 1/046 30/160
D407,002 S	3/1999	Morton	
D407,004 S	3/1999	Hull	
D435,421 S	12/2000	Strider	
D438,443 S	3/2001	Keating	
D464,246 S	10/2002	Sloan	

D473,917 S *	4/2003	Carter, III	..... D22/118
D474,669 S	5/2003	Onion	
D488,045 S	4/2004	Onion	
D505,057 S	5/2005	Ralph	
D510,249 S *	10/2005	Ray	..... D8/99

(Continued)

OTHER PUBLICATIONS

Americanedgeknives.com, Microtech Hawk Auto, Date of origin  
Feb. 2021.\*

Primary Examiner — Philip S Hyder

(74) Attorney, Agent, or Firm — Steve LeBlanc, LLC

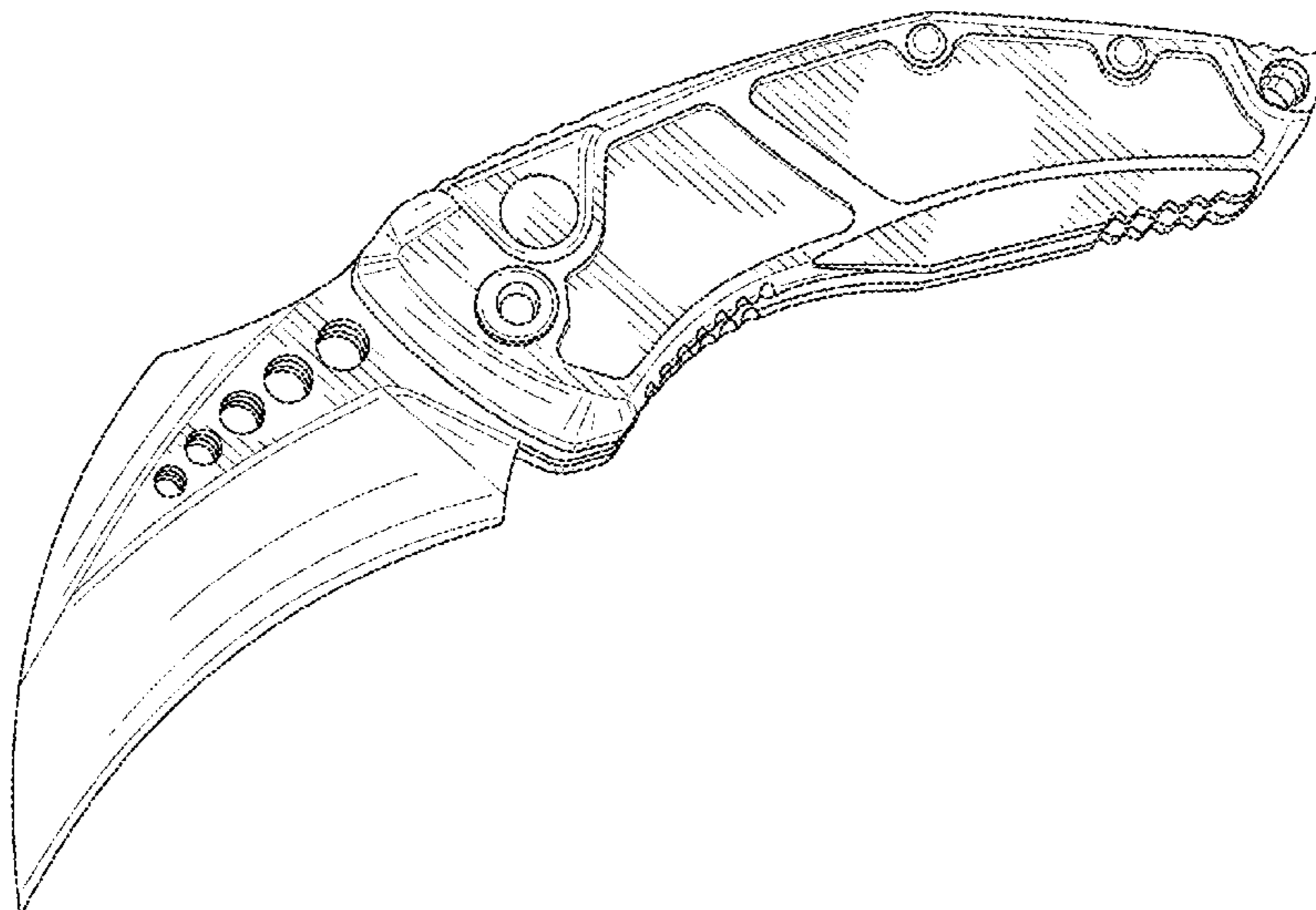
(57) **CLAIM**

The ornamental design for a pocket knife, as shown and  
described.

**DESCRIPTION**

FIG. 1 is a perspective view of a pocket knife, embodying  
the new design;  
FIG. 2 is a front elevation view of the pocket knife, wherein  
the blade is shown in the deployed position;  
FIG. 3 is a rear elevation view of the pocket knife, wherein  
the blade is shown in the deployed position;  
FIG. 4 is a left side elevation view of the pocket knife,  
wherein the blade is shown in the deployed position;  
FIG. 5 is a right side elevation view of the pocket knife,  
wherein the blade is shown in the deployed position;  
FIG. 6 is a top plan view of the pocket knife, wherein the  
blade is shown in the deployed position;  
FIG. 7 is a bottom plan view of the pocket knife, wherein the  
blade is shown in the deployed position;  
FIG. 8 is a front elevation view of the pocket knife, wherein  
the blade is shown in the retracted position;  
FIG. 9 is a left side elevation view of the pocket knife,  
wherein the blade is shown in the retracted position; and,  
FIG. 10 is a right side elevation view of the pocket knife,  
wherein the blade is shown in the retracted position.

**1 Claim, 5 Drawing Sheets**



(56)

References Cited

U.S. PATENT DOCUMENTS

D567,055	S	4/2008	Renzi	
D578,857	S *	10/2008	Yang-Fu .....	D8/99
D613,574	S *	4/2010	Pohl .....	D8/99
D614,933	S	5/2010	Freeman	
D636,051	S	4/2011	Freeman	
D677,551	S	3/2013	Pelton	
D697,780	S	1/2014	Pelton	
D697,781	S *	1/2014	Trbovich .....	D8/99
D706,107	S	6/2014	Pelton	
D713,923	S *	9/2014	Salvitti .....	D22/118
D737,110	S	8/2015	Schuft	
D743,769	S	11/2015	Glesser	
D753,459	S	4/2016	Glesser	
D765,217	S	8/2016	Tom	
D768,456	S	10/2016	Cheng	
D768,458	S	10/2016	Mingyi	
D769,694	S	10/2016	Mingyi	
D811,191	S *	2/2018	Berenji .....	D8/99
D856,109	S	8/2019	Marfione	
D856,775	S	8/2019	Marfione	
10,737,401	B1 *	8/2020	Coves .....	B26B 1/042
D895,392	S *	9/2020	Marfione .....	D8/99
D917,260	S *	4/2021	Marfione .....	D8/99
2005/0044717	A1 *	3/2005	Nishihara .....	B26B 1/04 30/161

\* cited by examiner

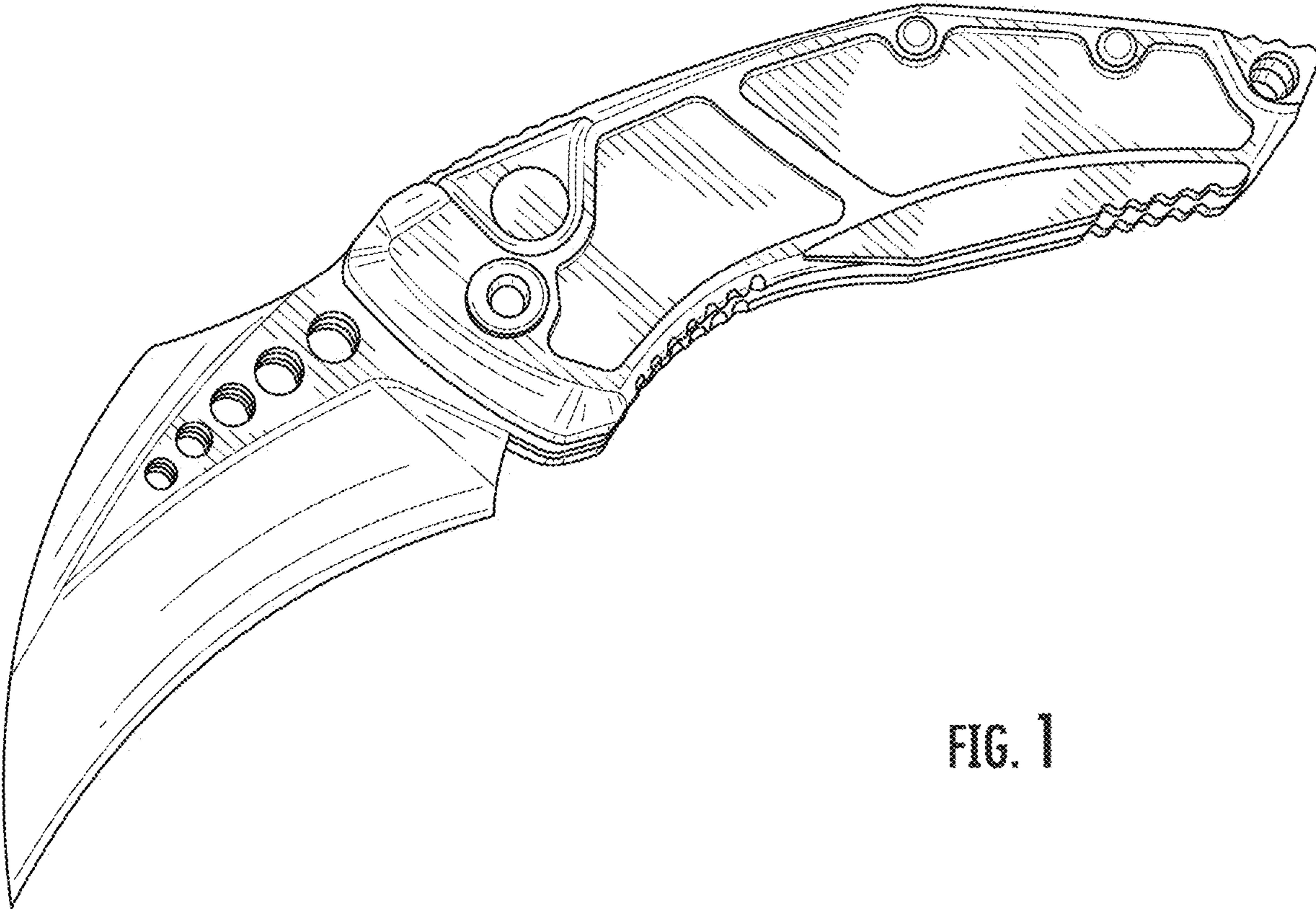


FIG. 1

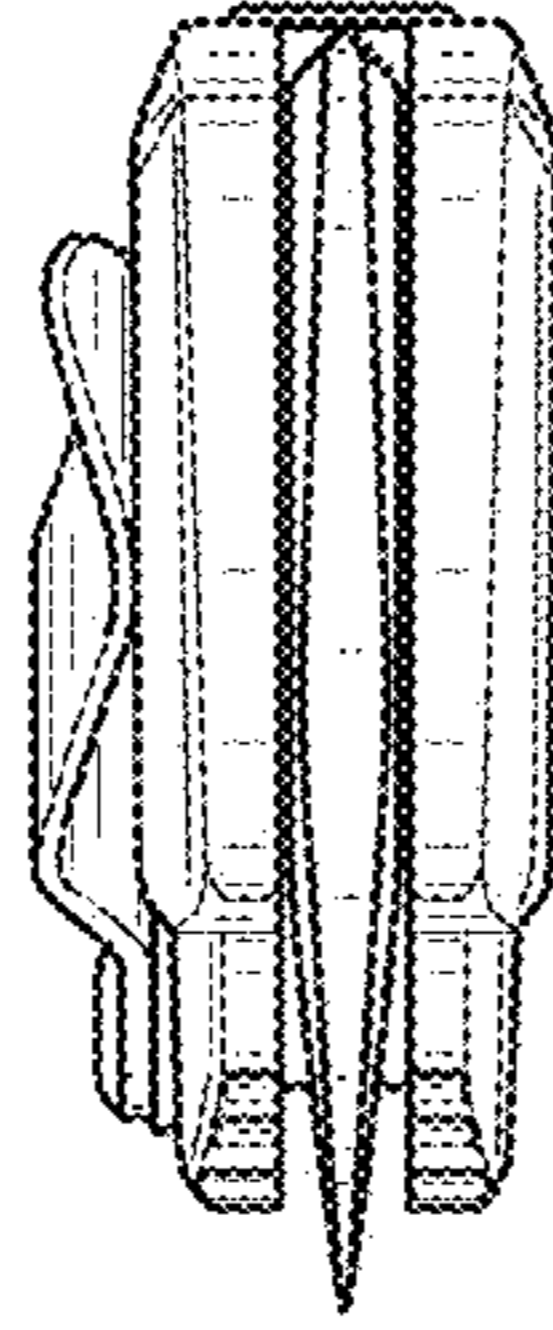


FIG. 2

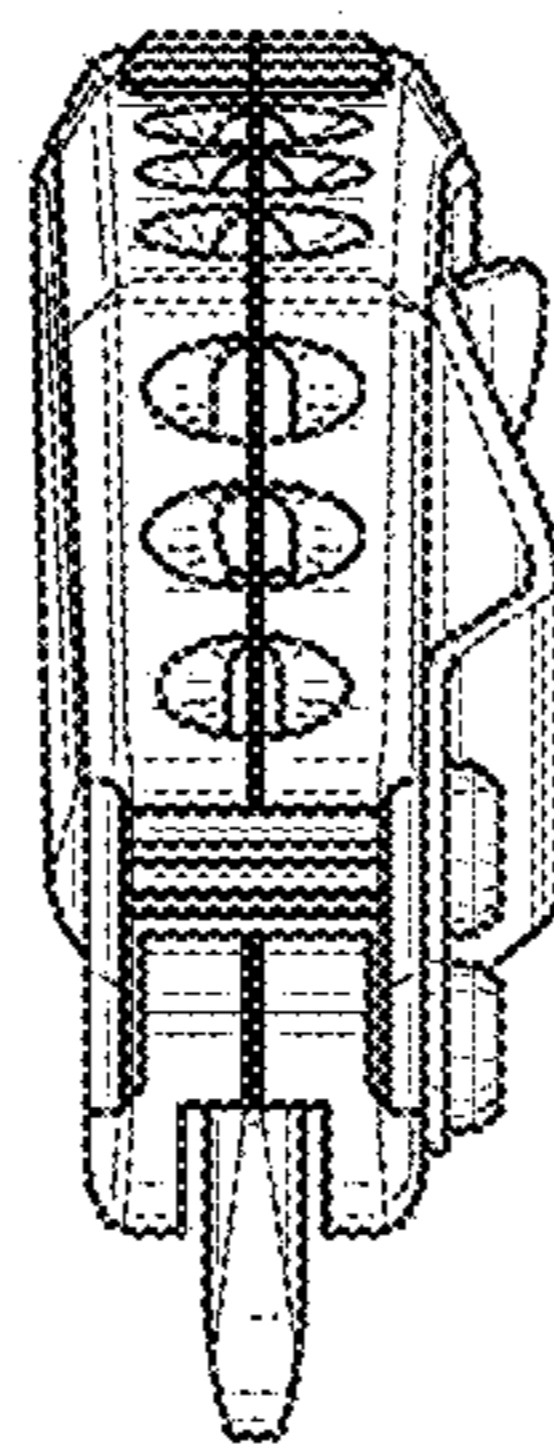


FIG. 3

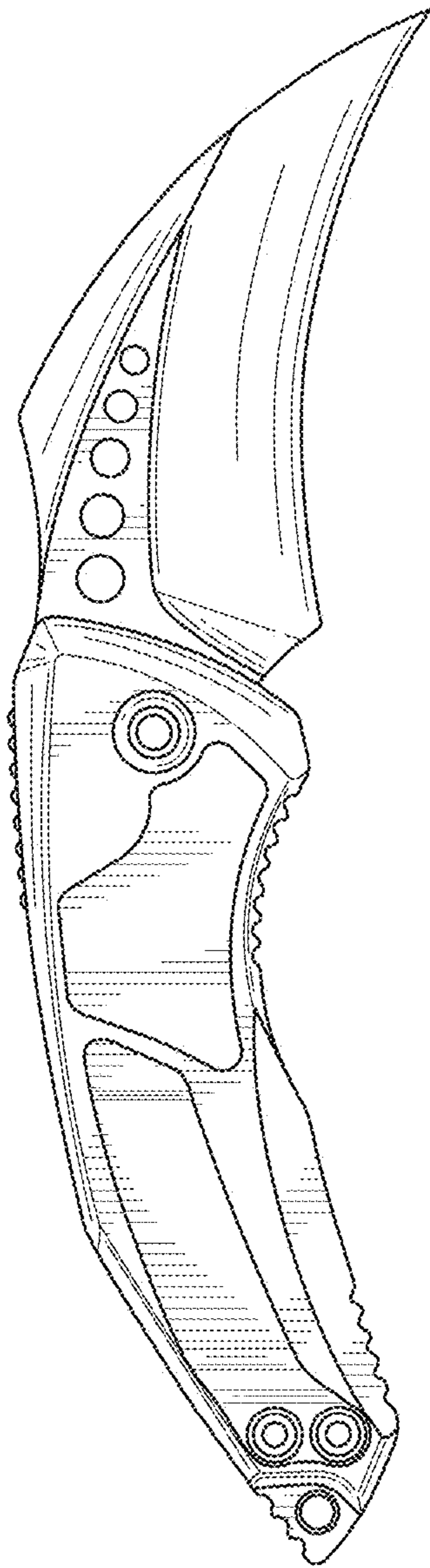


FIG. 4

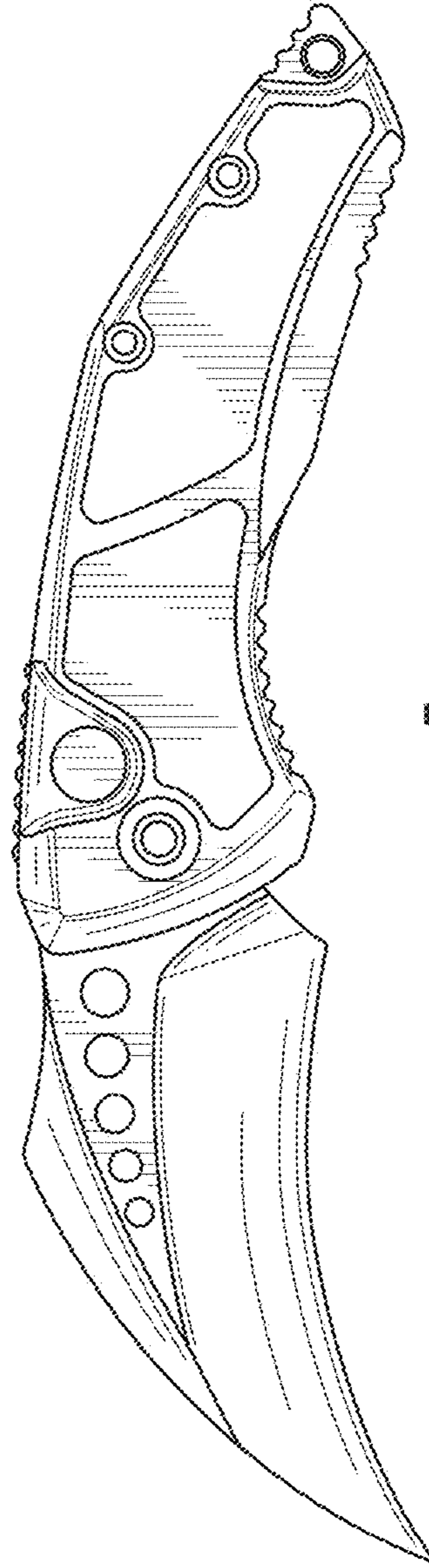


FIG. 5

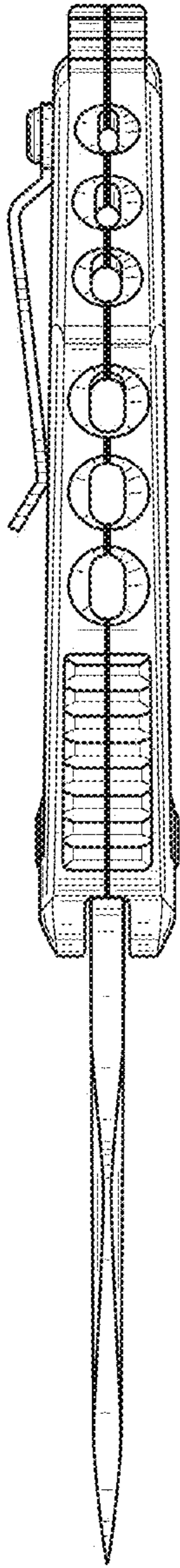


FIG. 6

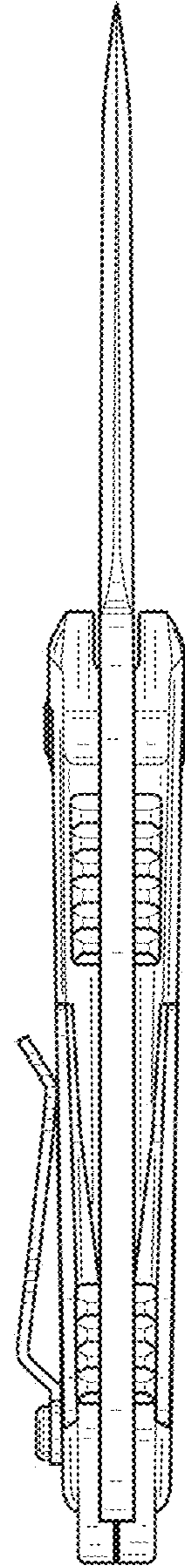


FIG. 7

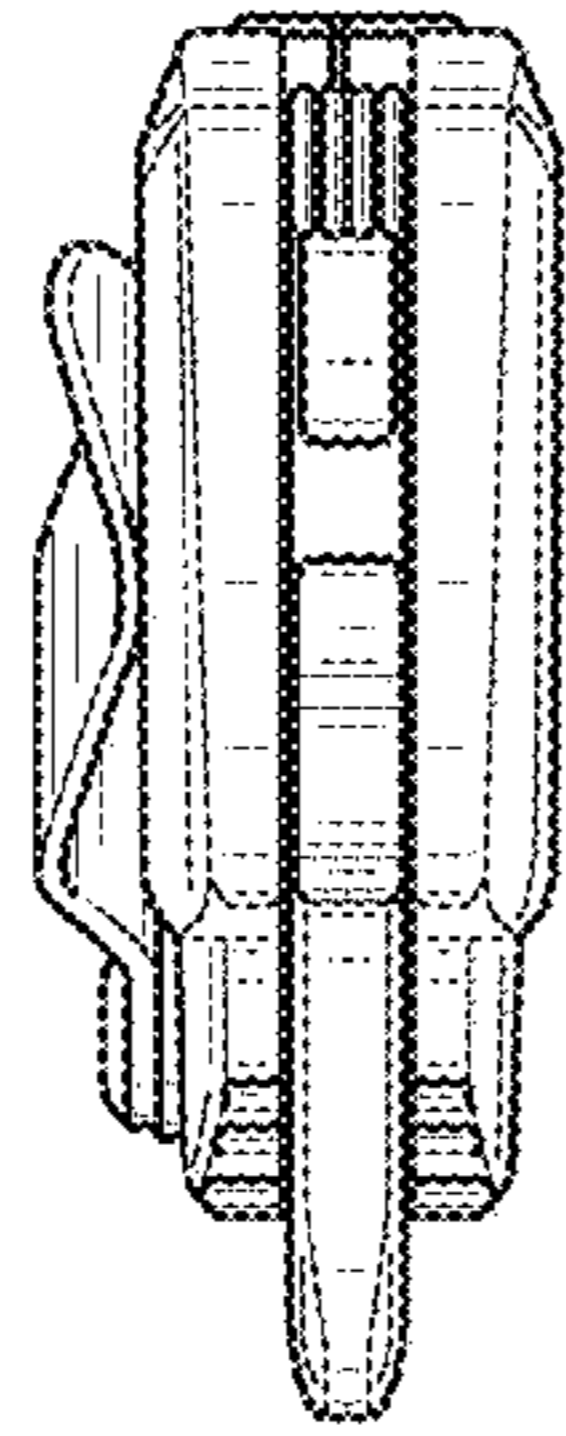


FIG. 8

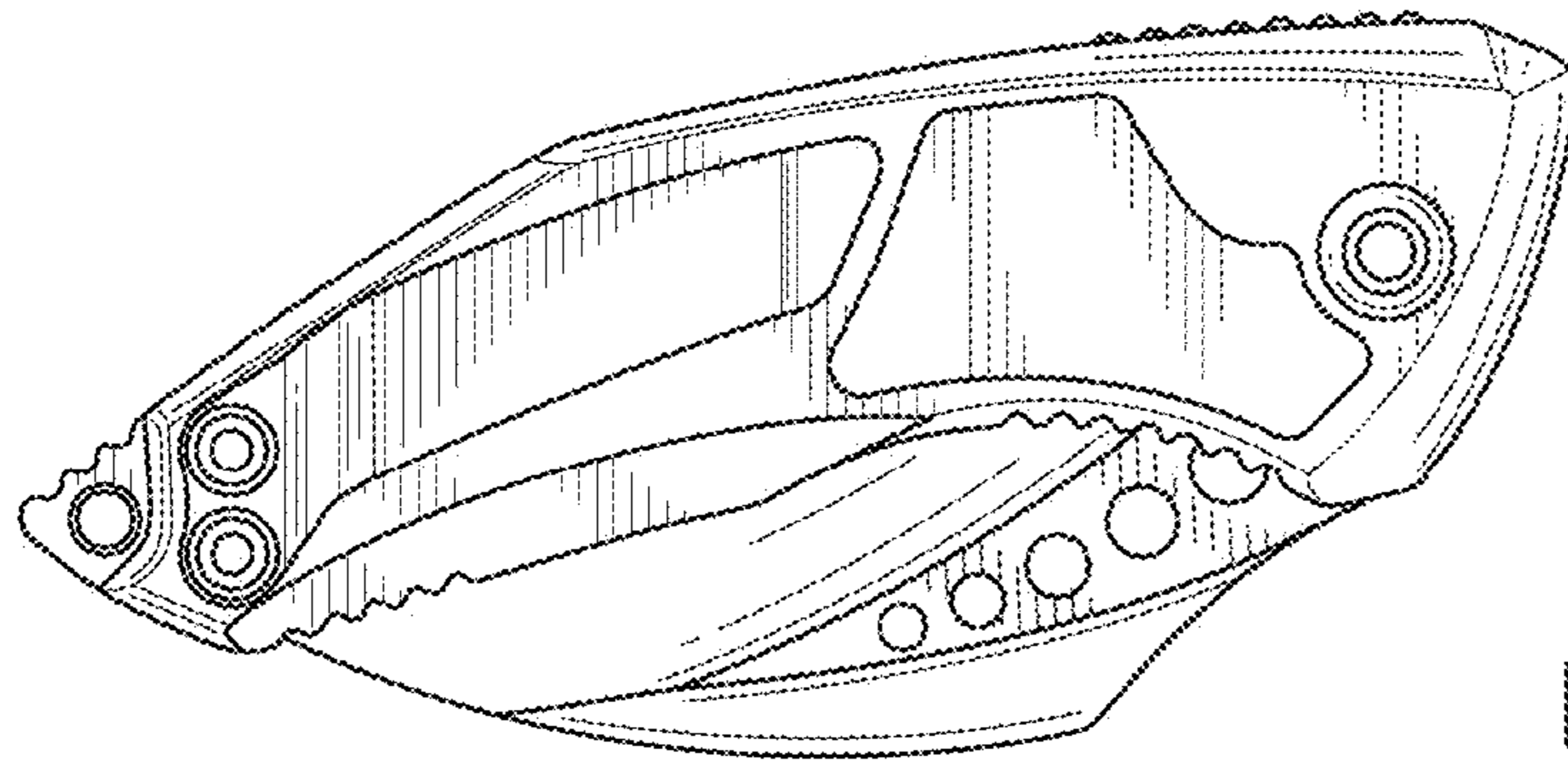


FIG. 9

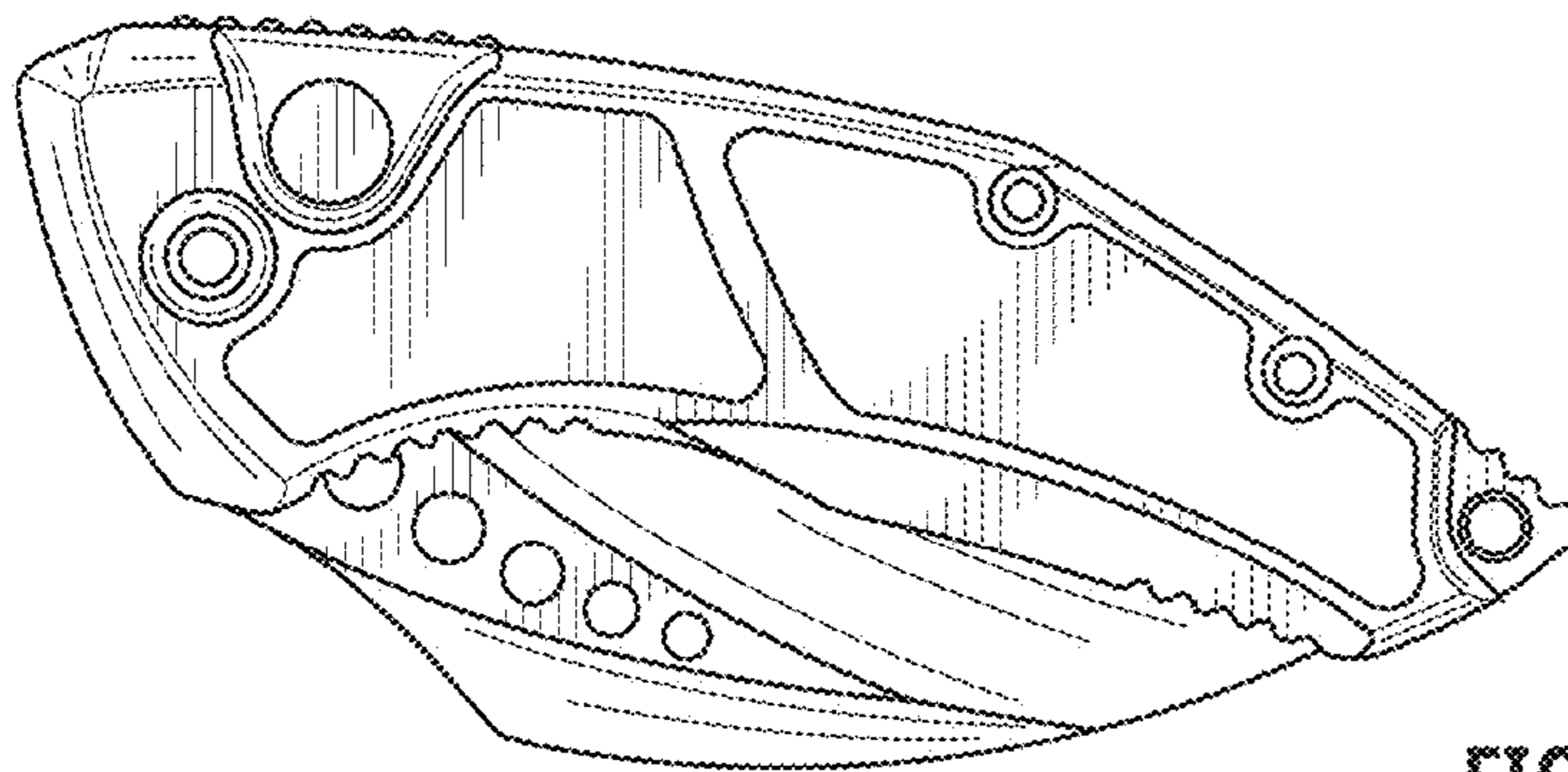


FIG. 10