

US00D924655S

(12) **United States Design Patent**
Dickman et al.

(10) **Patent No.:** **US D924,655 S**
(45) **Date of Patent:** **** Jul. 13, 2021**

- (54) **KNIFE**
- (71) Applicant: **Benchmade Knife Co., Inc.**, Oregon
City, OR (US)
- (72) Inventors: **Ryan Dickman**, Sandy, OR (US); **Greg Hall**, Portland, OR (US); **Mark Delplanche**, Beavercreek, OR (US)
- (73) Assignee: **Benchmade Knife Co., Inc.**, Oregon
City, OR (US)
- (**) Term: **15 Years**

D810,540 S *	2/2018	Marfione	D8/99
10,220,527 B1 *	3/2019	Marfione	B26B 9/02
D871,187 S *	12/2019	Marfione	D8/99
D871,887 S *	1/2020	Marfione	D8/99
D889,239 S *	7/2020	Marfione	D8/99
D903,459 S *	12/2020	Marfione	D8/99
D903,460 S *	12/2020	Marfione	D8/99
2007/0175045 A1 *	8/2007	McHenry	B26B 1/08 30/162
2008/0222895 A1 *	9/2008	Marfione	B26B 1/10 30/151
2013/0174423 A1 *	7/2013	Liao	B26B 1/08 30/162
2014/0101943 A1 *	4/2014	Chu	B26B 1/08 30/162

- (21) Appl. No.: **29/715,434**
- (22) Filed: **Dec. 2, 2019**
- (51) **LOC (13) Cl.** **08-03**
- (52) **U.S. Cl.**
USPC **D8/99**
- (58) **Field of Classification Search**
USPC D8/98, 99, 100, 107; D22/118
CPC B26B 5/001; B26B 5/003; B26B 11/00;
B26B 1/08; B26B 1/02; B26B 1/04;
B26B 1/10; B26B 1/044; B26B 1/042;
B26B 1/046
See application file for complete search history.

* cited by examiner

Primary Examiner — Philip S Hyder
(74) *Attorney, Agent, or Firm* — Schwabe, Williamson & Wyatt, P.C.

(56) **References Cited**

U.S. PATENT DOCUMENTS

D510,514 S *	10/2005	Ray	D8/99
D560,994 S *	2/2008	Green	D8/99
7,574,804 B2 *	8/2009	Bezold	B26B 1/08 30/151
8,671,578 B1 *	3/2014	Frazer	B26B 1/08 30/162
9,498,889 B1 *	11/2016	Hawk	B26B 1/10
D796,932 S *	9/2017	Sung	D8/99

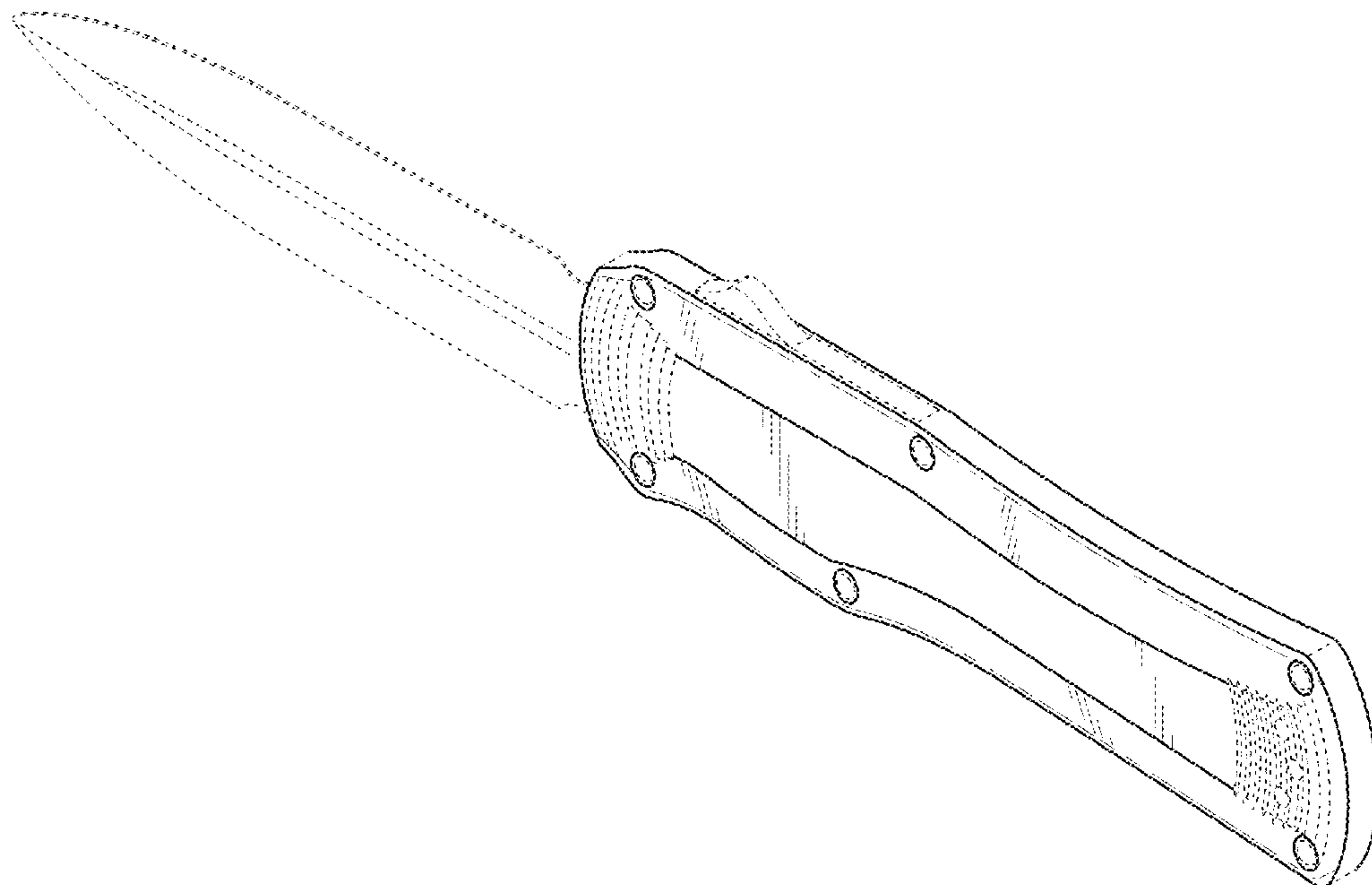
(57) **CLAIM**

We claim the ornamental design for a knife, as shown and described.

DESCRIPTION

FIG. 1 is a perspective view of a knife, showing our new design;
FIG. 2 is a right side view thereof;
FIG. 3 is a left side view thereof;
FIG. 4 is a top view thereof;
FIG. 5 is a bottom view thereof;
FIG. 6 is a front view thereof; and,
FIG. 7 is a back view thereof.
The broken lines depict portions of the knife in which the design is embodied that are not considered part of the claimed design.

1 Claim, 3 Drawing Sheets



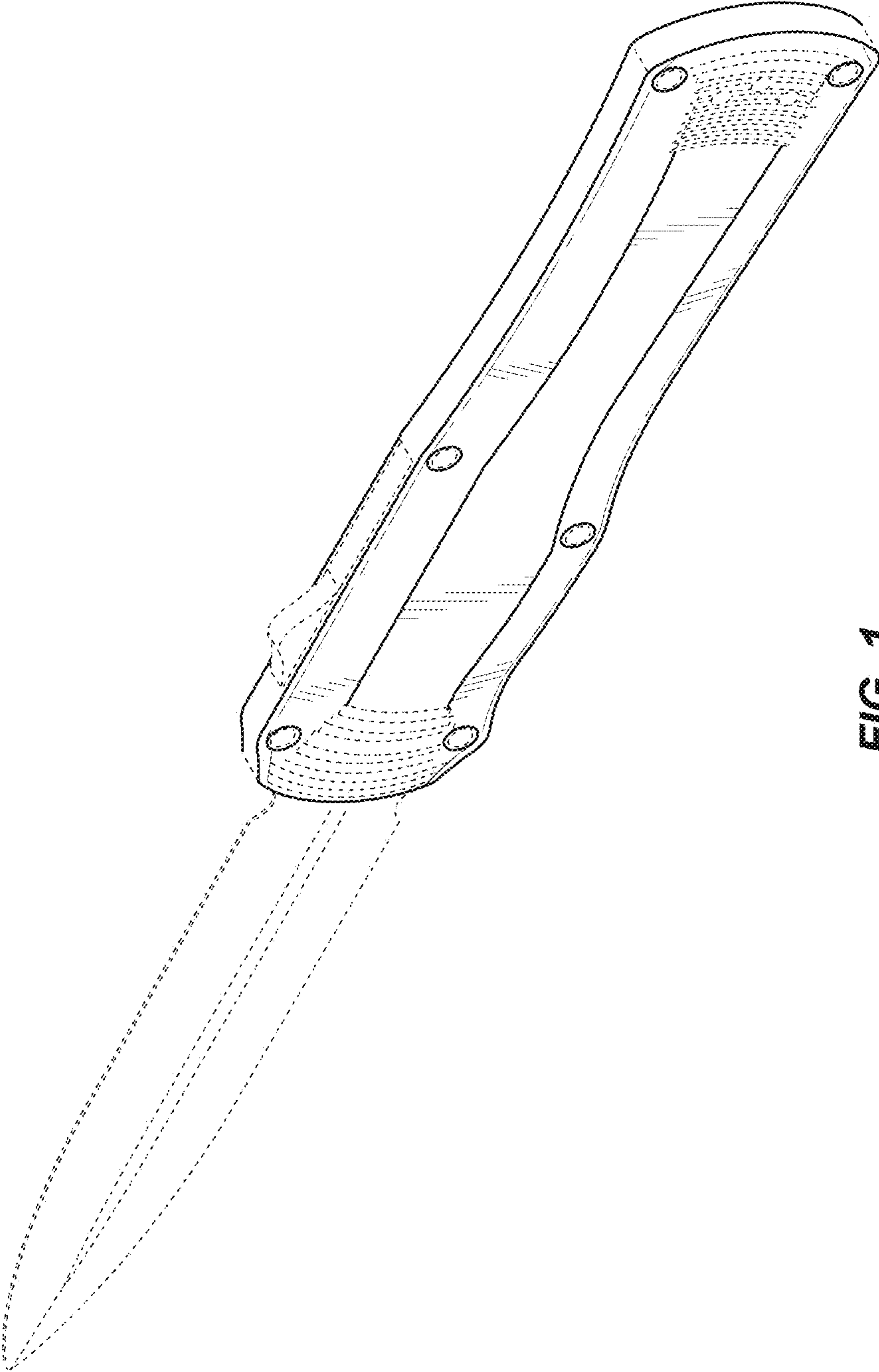


FIG. 1

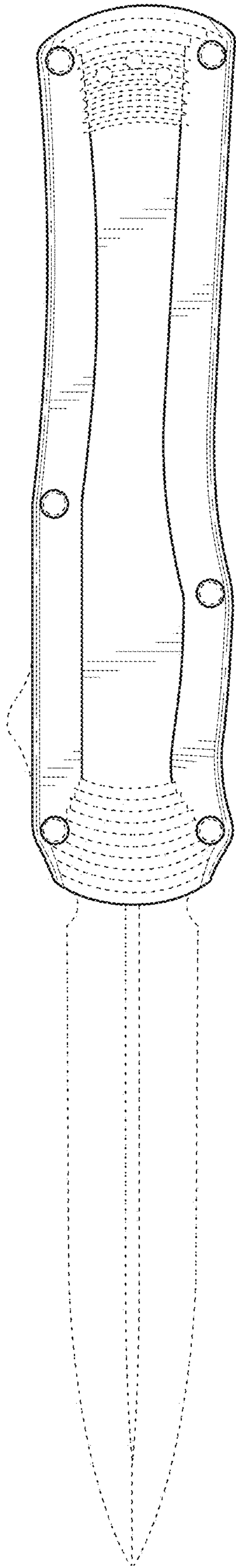


FIG. 2

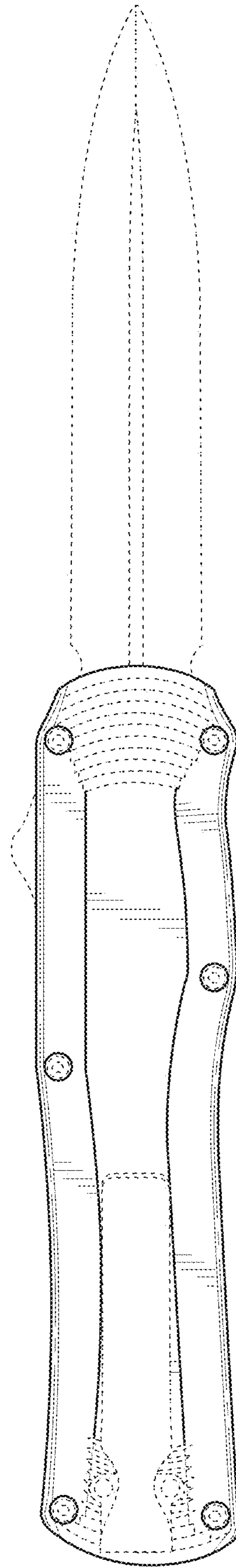


FIG. 3

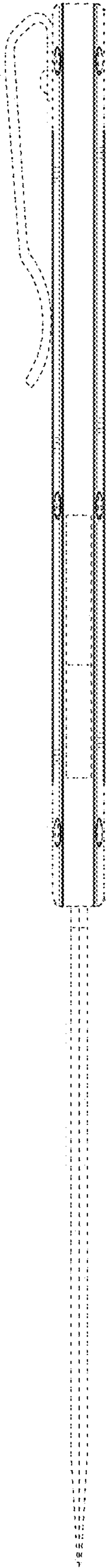


FIG. 4

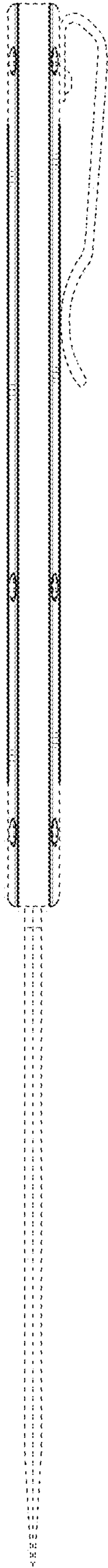


FIG. 5

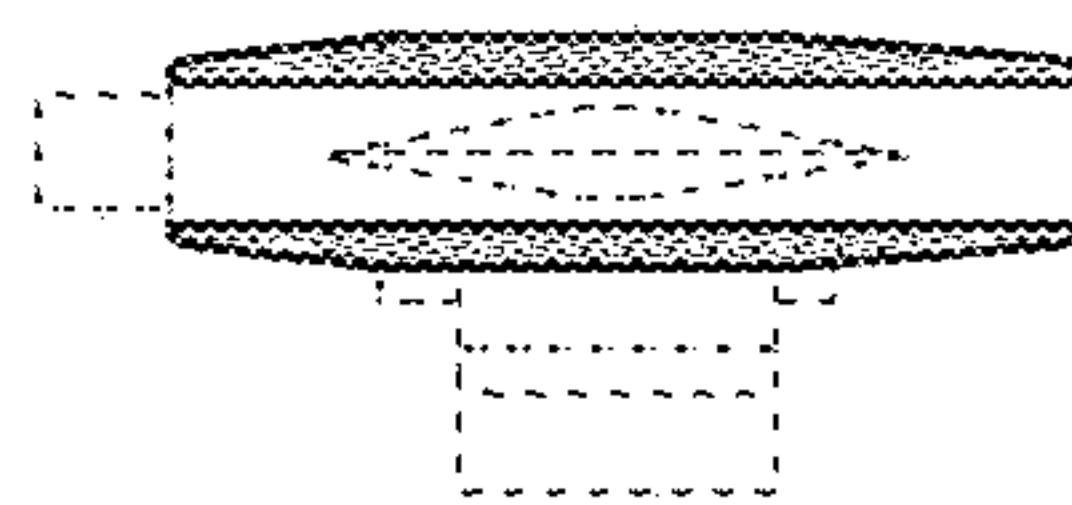


FIG. 6

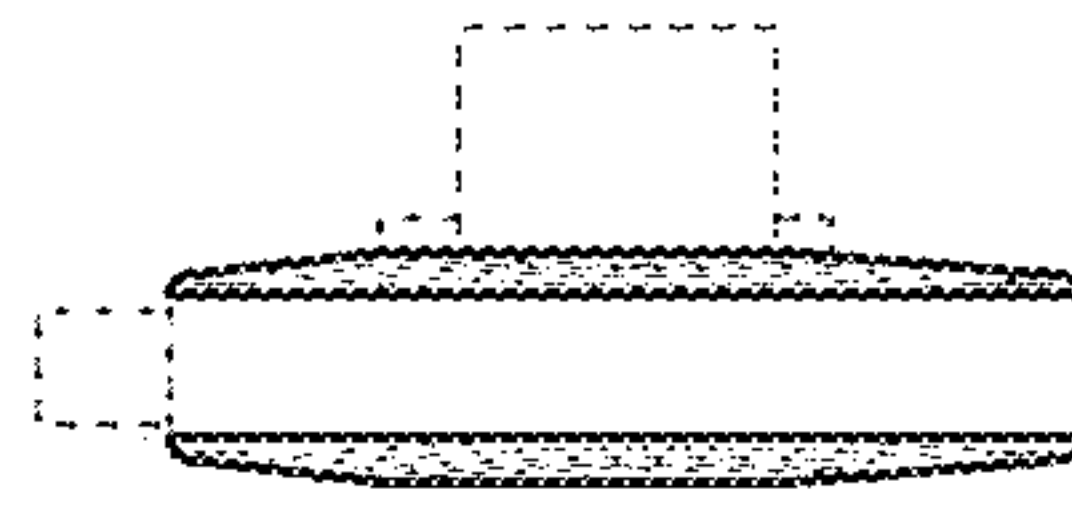


FIG. 7