

US00D924651S

(12) **United States Design Patent**  
**Hall**

(10) **Patent No.:** **US D924,651 S**

(45) **Date of Patent:** **\*\* Jul. 13, 2021**

(54) **BENCH CLAMP MOUNT AND ALIGNMENT FEATURE**

(71) Applicant: **Taylor James Hall**, Palatine, IL (US)

(72) Inventor: **Taylor James Hall**, Palatine, IL (US)

(73) Assignee: **Nomis LLC**, Palatine, IL (US)

(\*\*) Term: **15 Years**

(21) Appl. No.: **29/681,897**

(22) Filed: **Feb. 28, 2019**

(51) **LOC (13) Cl.** ..... **08-05**

(52) **U.S. Cl.**  
USPC ..... **D8/74**

(58) **Field of Classification Search**  
USPC ..... D8/71-74, 394-399, 59; 248/63, 72,  
248/74.1, 689, 124.2; 81/487, 385, 386,  
81/388-390; 269/3, 4, 6, 143, 165, 240,  
269/243, 246-249, 254 R, 147-149;  
29/256, 257, 276; 408/103, 104-109  
CPC ..... B25B 1/00; B25B 5/00  
See application file for complete search history.

(56) **References Cited**

**U.S. PATENT DOCUMENTS**

1,026,475 A	5/1912	Tarbuck	
1,954,708 A	4/1934	Mass	
2,463,966 A	3/1949	Hauschild	
2,577,029 A	12/1951	Moorehead	
2,627,787 A	2/1953	Zitner	
2,658,540 A	11/1953	Sobaski	
2,705,441 A	4/1955	Armstrong	
2,983,289 A	5/1961	McKinley	
3,124,347 A	3/1964	Haddad	
3,984,092 A	10/1976	Fitzpatrick	
4,470,586 A	9/1984	Spencer	
4,475,728 A	10/1984	Haddad	
4,834,352 A *	5/1989	Thornton	B25B 5/06 269/203
4,989,654 A	2/1991	Berkeley	

D348,816 S *	7/1994	Degen	D8/73
5,443,554 A	8/1995	Robert	
5,462,264 A *	10/1995	Delagera	B25B 5/101 269/249
D375,239 S *	11/1996	Hall	D8/73
5,584,254 A	12/1996	Williams	
5,617,909 A	4/1997	Duginske	
D395,993 S *	7/1998	Price	D8/72

(Continued)

**OTHER PUBLICATIONS**

U.S. Appl. No. 16/289,124, Hall, filed Feb. 28, 2019.

(Continued)

*Primary Examiner* — David G Muller

(74) *Attorney, Agent, or Firm* — Reinhart Boerner Van Deuren P.C.

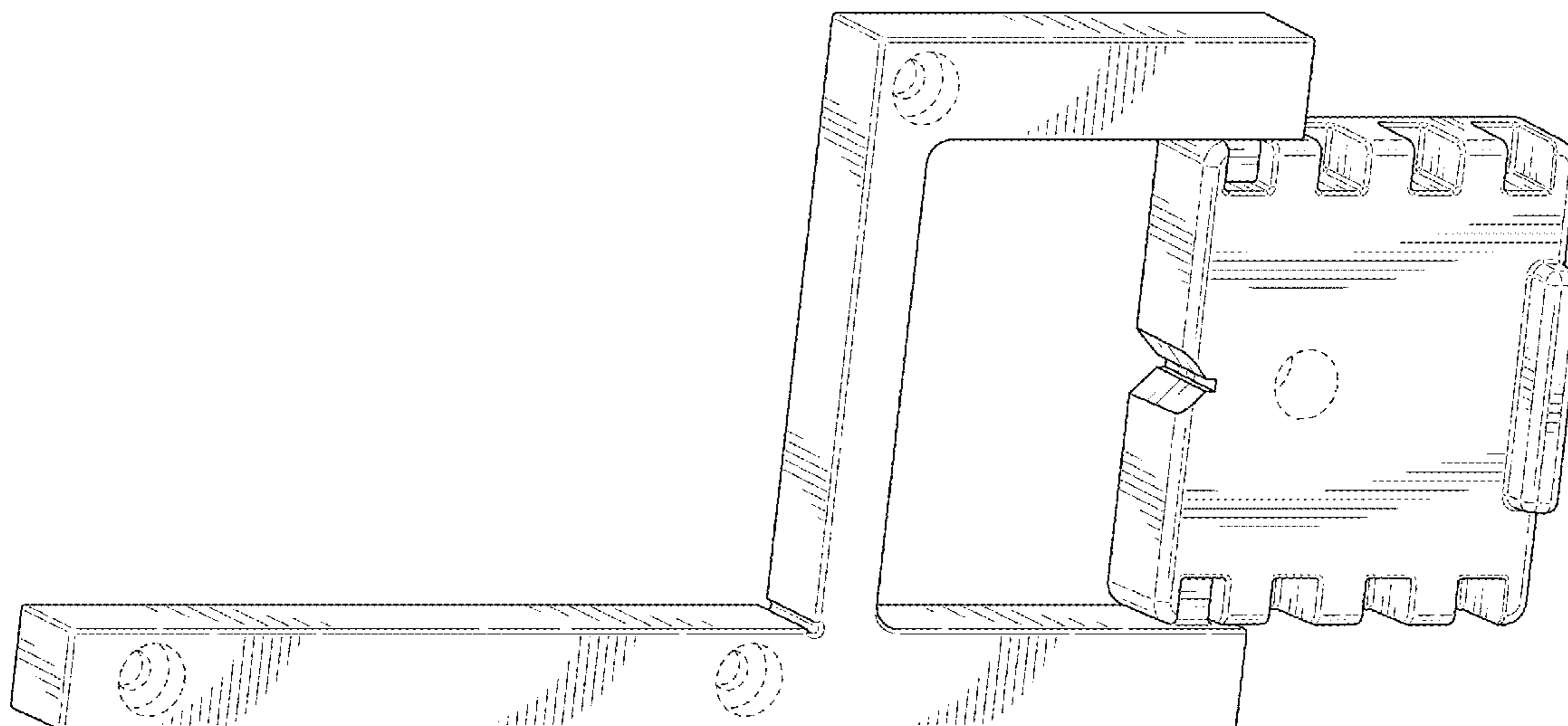
(57) **CLAIM**

I claim the ornamental design for the bench clamp mount and alignment feature, as shown and described.

**DESCRIPTION**

FIG. 1 is a perspective view of an embodiment of the bench clamp mount and alignment feature;  
FIG. 2 is a top view thereof;  
FIG. 3 is a bottom view thereof;  
FIG. 4 is a front view thereof;  
FIG. 5 is a rear view thereof;  
FIG. 6 is a side view thereof;  
FIG. 7 is a side view thereof showing the side opposite that shown in FIG. 6; and,  
FIG. 8 is an exploded perspective view thereof.  
The broken lines show portions of the design that form no part of the claimed design. The dash-dot broken lines are boundary lines identifying portions of the design that form no part of the claimed design.

**1 Claim, 6 Drawing Sheets**





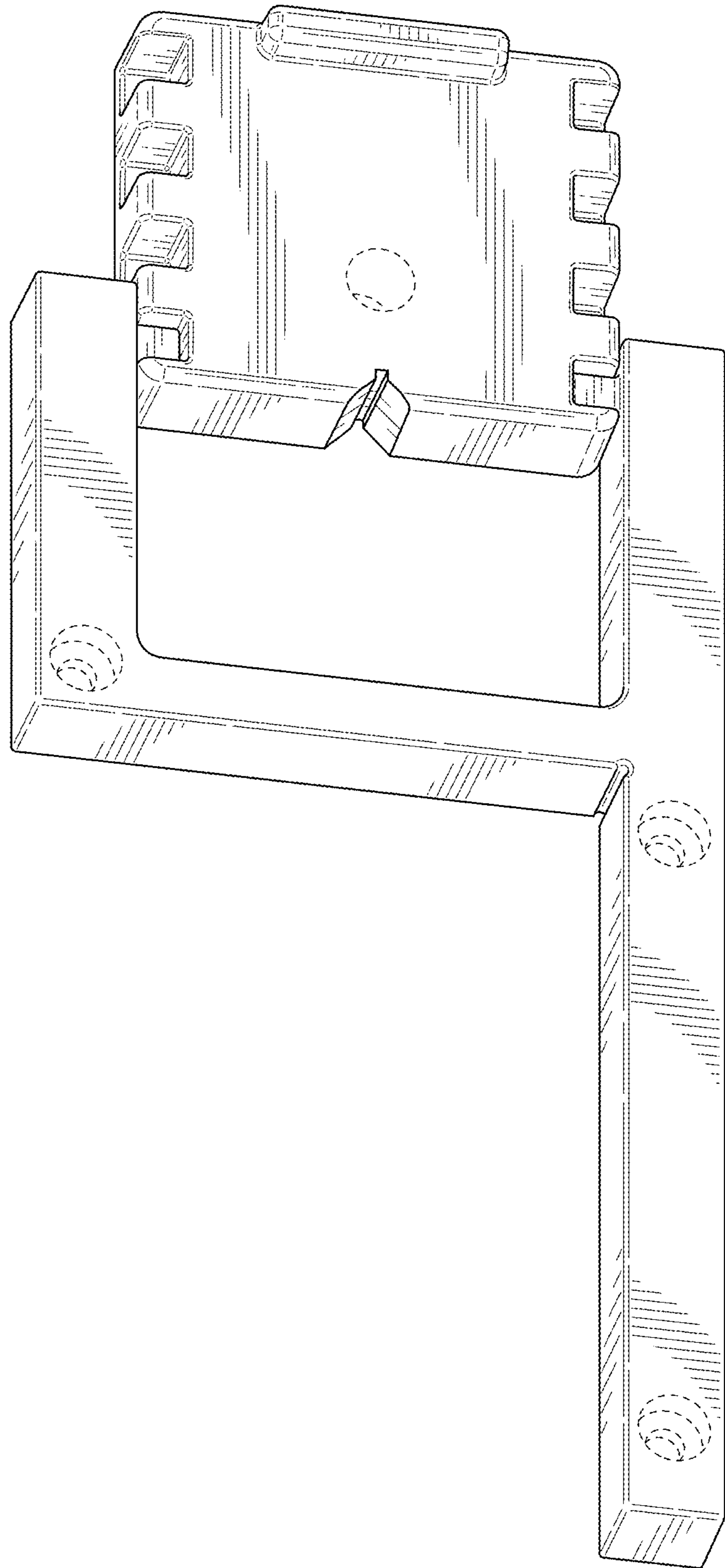


FIG. 1

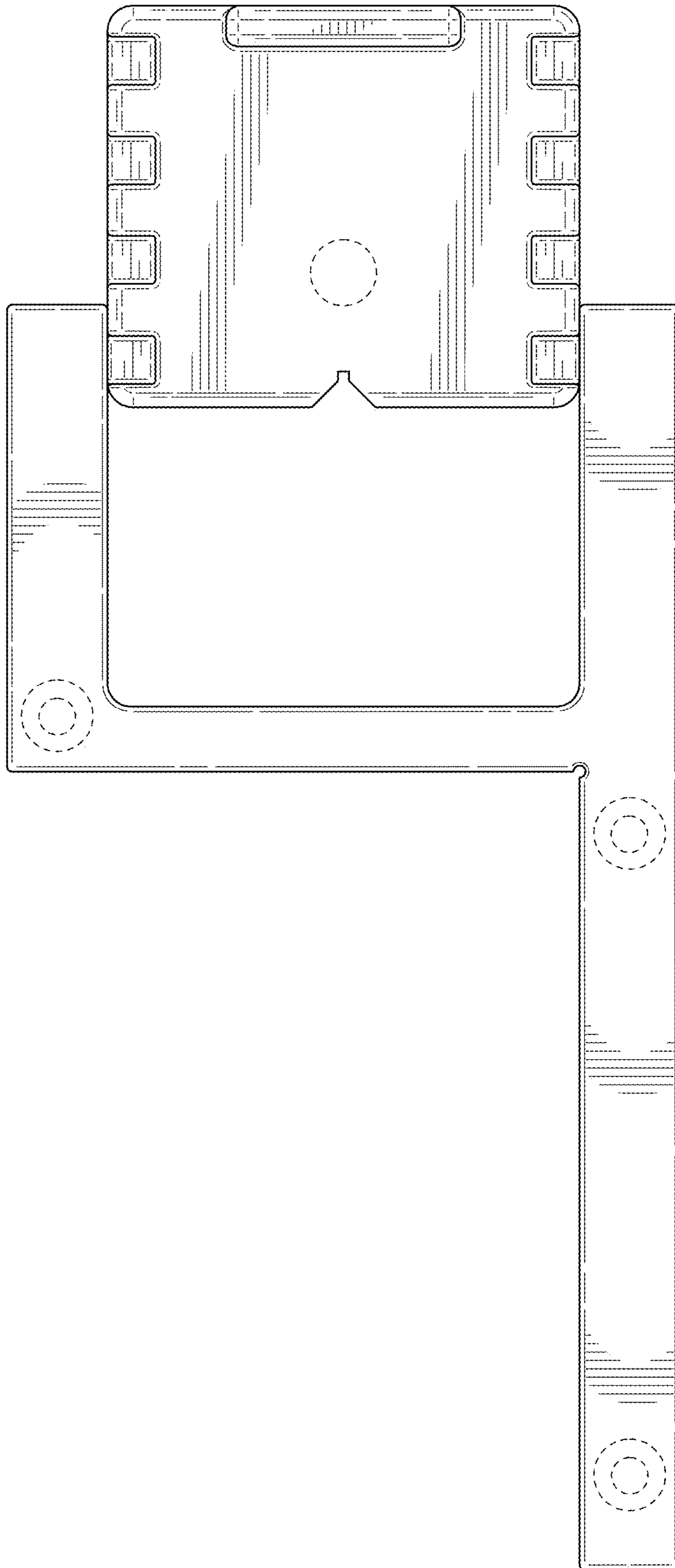


FIG. 2

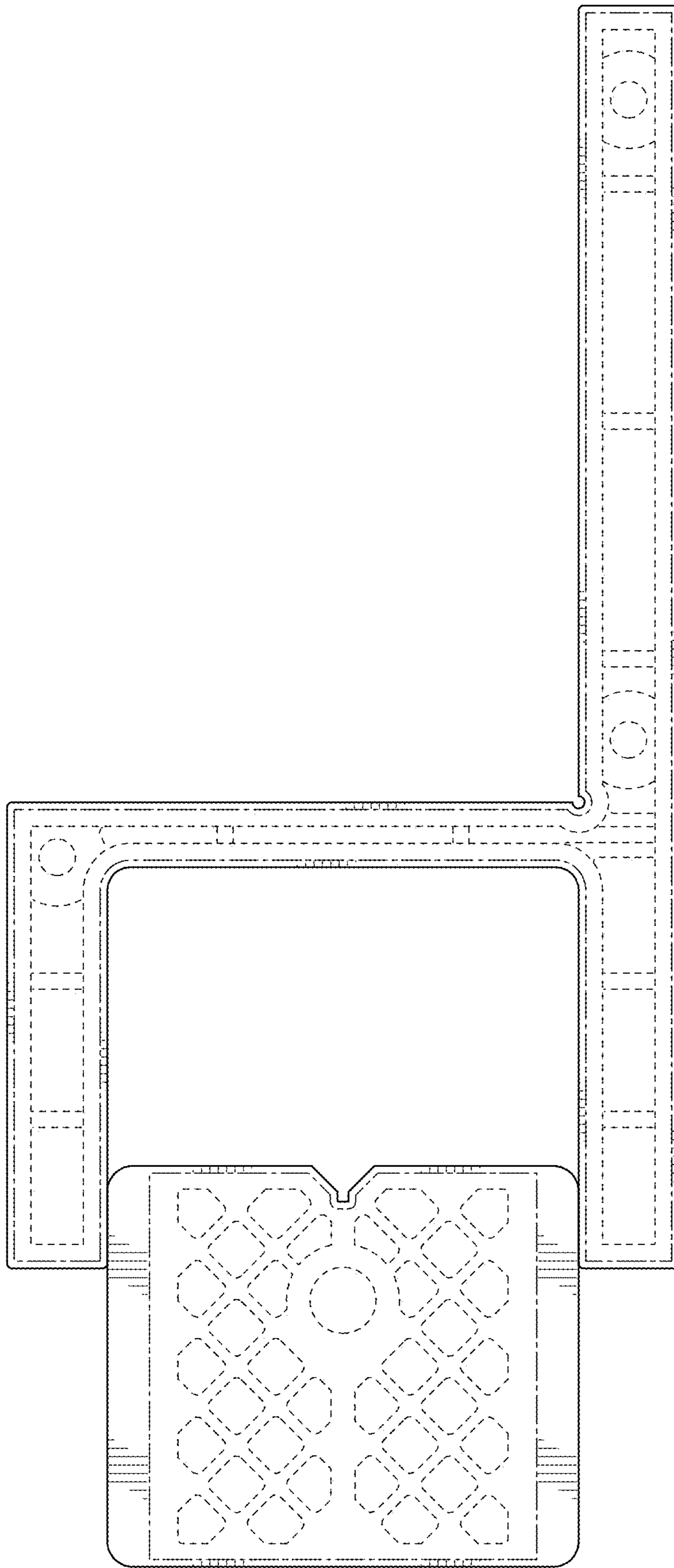
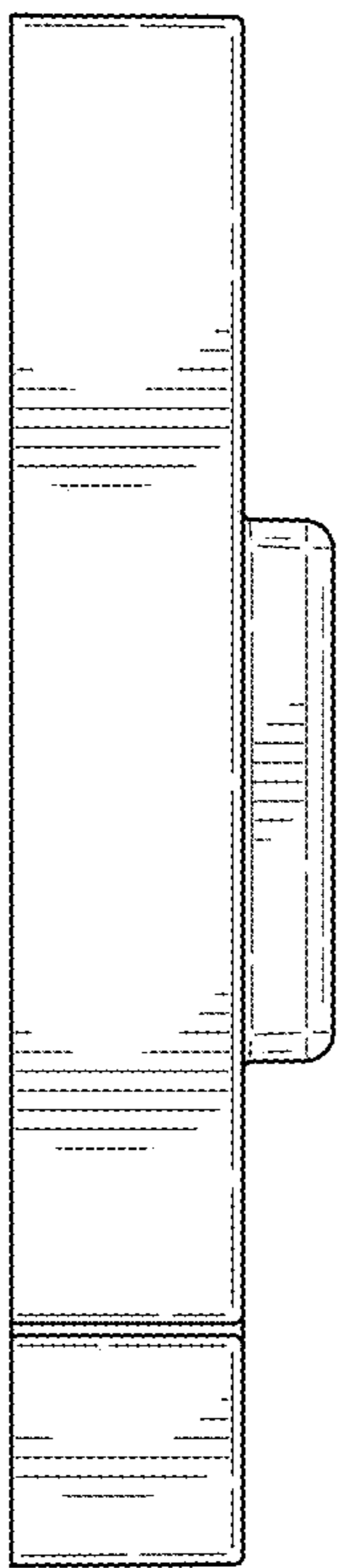
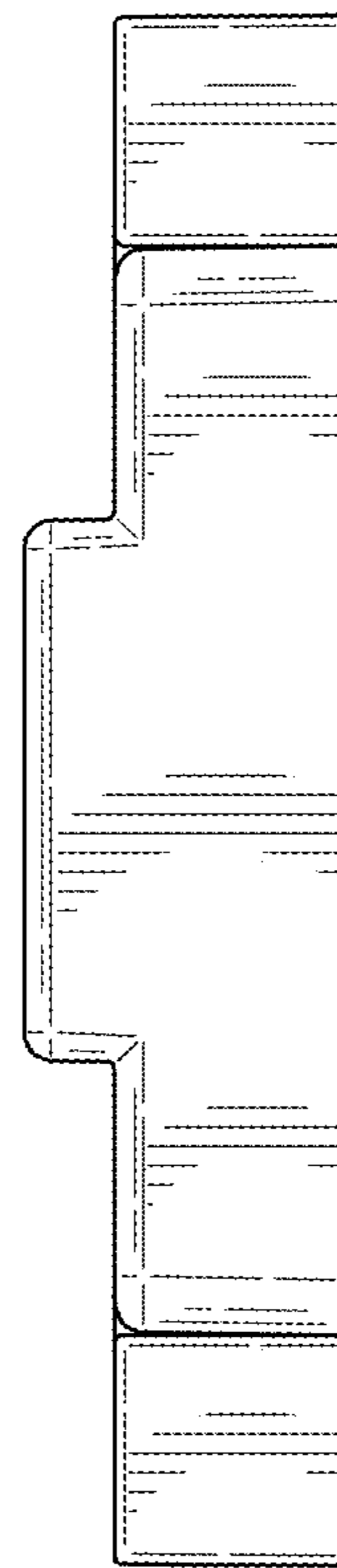


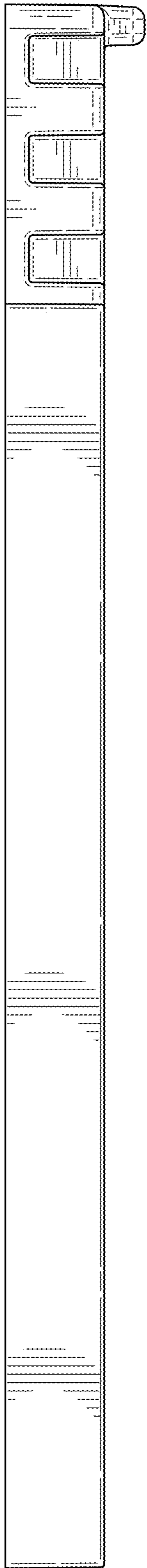
FIG. 3



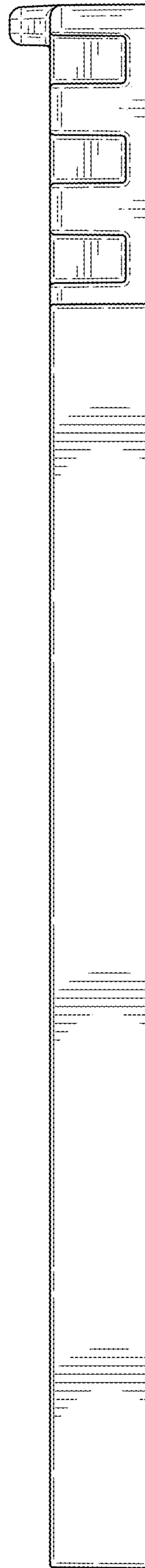
**FIG. 4**



**FIG. 5**



**FIG. 6**



**FIG. 7**

