



US00D924645S

(12) **United States Design Patent**
Lyytikäinen et al.

(10) **Patent No.:** **US D924,645 S**
(45) **Date of Patent:** **** Jul. 13, 2021**

- (54) **PRUNER**
- (71) Applicant: **Fiskars Finland Oy Ab**, Helsinki (FI)
- (72) Inventors: **Sami Lyytikäinen**, Helsinki (FI); **Kari Kunnas**, Helsinki (FI)
- (73) Assignee: **FISKARS FINLAND OY AB**, Helsinki (FI)
- (**) Term: **15 Years**
- (21) Appl. No.: **29/715,361**
- (22) Filed: **Dec. 2, 2019**
- (51) **LOC (13) Cl.** **08-03**
- (52) **U.S. Cl.**
USPC **D8/5**
- (58) **Field of Classification Search**
USPC D8/4, 5, 7, 51, 52, 57
CPC A01G 2003/005; A01G 2/35; A01G 3/02;
A01G 3/065; A01G 3/021; A01G
2003/023; B26B 13/26; B26B 13/28;
B26B 13/285; B26B 13/16; B25B 7/14
See application file for complete search history.

- D457,040 S 5/2002 Hirschfeld
- D458,094 S 6/2002 Clivio
- D458,815 S 6/2002 Meyerratken
- D458,816 S 6/2002 Meyerratken
- D463,227 S 9/2002 Choi
- D472,433 S 4/2003 Richwine
- 6,757,979 B1 * 7/2004 Schneider A01G 3/02
30/175

(Continued)

OTHER PUBLICATIONS

U.S. Appl. No. 29/710,921, Oct. 28, 2019, Weber et al.
(Continued)

Primary Examiner — Sandra Snapp
Assistant Examiner — Ieisha N Price
(74) *Attorney, Agent, or Firm* — Leason Ellis LLP

(57) **CLAIM**

The ornamental design for a pruner, as shown and described.

DESCRIPTION

FIG. 1 is a top plan view of our pruner according to our new design;
 FIG. 2 is a left, side view thereof;
 FIG. 3 is a right, side view thereof;
 FIG. 4 is a bottom-left rear perspective view thereof;
 FIG. 5 is a bottom-left front perspective view thereof;
 FIG. 6 is a top-left rear perspective view thereof;
 FIG. 7 is a top-left front perspective view thereof;
 FIG. 8 is a front view thereof;
 FIG. 9 is a bottom plan view thereof; and,
 FIG. 10 is a rear view thereof.

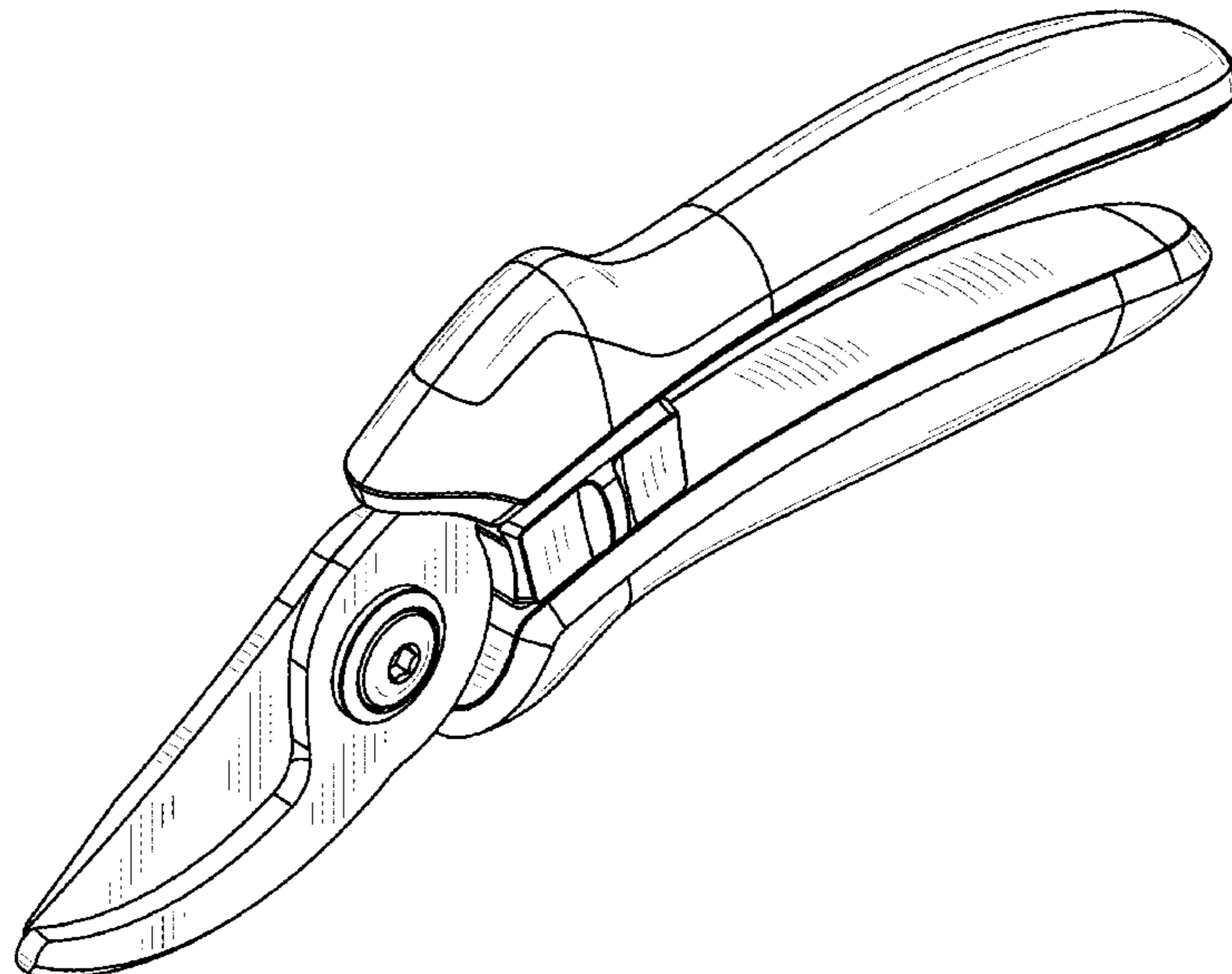
The broken lines in the drawings illustrate portions of the pruner and form no part of the claimed design.
 Conventional shading is illustrated for purposes of highlighting the line drawings, but forms no part of the claimed design.

(56) **References Cited**

U.S. PATENT DOCUMENTS

- 4,073,059 A 2/1978 Wallace et al.
- 4,079,513 A 3/1978 Harrison
- 4,268,963 A 5/1981 Harrison
- 4,341,016 A 7/1982 Harrison et al.
- 5,058,277 A 10/1991 Kishimoto
- D336,412 S 6/1993 Wensley
- 5,367,774 A 11/1994 Labarre et al.
- D353,524 S * 12/1994 Her D8/5
- 5,426,857 A 6/1995 Linden
- D377,588 S 1/1997 Birkholz
- D396,615 S 8/1998 Spear
- D419,043 S * 1/2000 Staton D8/5
- D426,755 S 6/2000 Wu
- D439,812 S * 4/2001 Staton D8/5

1 Claim, 10 Drawing Sheets



(56)

References Cited

U.S. PATENT DOCUMENTS

D496,838 S 10/2004 Tomchak
 6,829,828 B1 12/2004 Cech et al.
 D501,379 S 2/2005 Lipscomb et al.
 D503,595 S 4/2005 Lipscomb et al.
 D506,906 S 7/2005 Su
 D509,115 S 9/2005 Wu
 D547,140 S 7/2007 Shan
 D557,086 S 12/2007 Lipscomb et al.
 D567,601 S 4/2008 Klecker
 D576,011 S 9/2008 Lipscomb et al.
 D585,250 S 1/2009 Lee
 D585,251 S 1/2009 Lee
 D628,031 S 11/2010 Stokes et al.
 D628,032 S 11/2010 Stokes et al.
 7,895,757 B1 3/2011 Huang
 D651,053 S 12/2011 Roberts et al.
 D651,487 S 1/2012 Roberts et al.
 D680,829 S 4/2013 Nelson
 D698,214 S 1/2014 Sade et al.
 D706,096 S 6/2014 Stokes et al.
 D706,097 S 6/2014 Lyytikainen et al.
 D706,590 S 6/2014 Sade et al.
 D714,597 S * 10/2014 Lee D8/5
 D715,115 S * 10/2014 Sade D8/5
 D715,116 S * 10/2014 Sade D8/5
 D716,114 S 10/2014 Lyytikainen et al.
 D716,115 S * 10/2014 Lyytikainen D8/5
 D720,968 S 1/2015 Roberts
 D721,255 S * 1/2015 Lee D8/5
 D750,455 S 3/2016 Wu
 9,408,350 B1 8/2016 Wu
 D778,694 S 2/2017 Lambin
 D789,165 S * 6/2017 Sokka D8/5
 D790,935 S 7/2017 Wu
 D793,824 S 8/2017 Sokka
 D802,381 S 11/2017 Wolf
 D810,524 S 2/2018 Hsu

D815,501 S 4/2018 Huang
 D818,783 S 5/2018 Wermeille
 D823,079 S 7/2018 Lyytikainen
 D827,399 S 9/2018 Lyytikainen
 D829,516 S 10/2018 Wu
 10,182,530 B1 * 1/2019 Huang A01G 3/021
 D859,100 S 9/2019 Wu
 D875,483 S 2/2020 Roberts et al.
 2002/0046466 A1 * 4/2002 Deville A01G 3/02
 30/270
 2007/0144014 A1 * 6/2007 Toyama B26B 13/16
 30/254
 2008/0155835 A1 * 7/2008 Lin A01G 3/02
 30/252
 2009/0090010 A1 4/2009 Lin
 2009/0151170 A1 * 6/2009 Lee A01G 3/02
 30/252
 2010/0037470 A1 2/2010 Liu
 2011/0023309 A1 2/2011 Huang
 2011/0192035 A1 8/2011 Chen
 2012/0198705 A1 8/2012 Huang
 2013/0042486 A1 * 2/2013 Lee A01G 3/02
 30/249
 2013/0091713 A1 4/2013 Wu
 2014/0182142 A1 7/2014 Vantitla
 2014/0202007 A1 7/2014 Huang
 2016/0183475 A1 6/2016 Wu
 2017/0049060 A1 2/2017 Chou
 2017/0215346 A1 8/2017 Lin
 2019/0159405 A1 * 5/2019 Jacques A01G 3/0251
 2019/0261573 A1 8/2019 Wu

OTHER PUBLICATIONS

U.S. Appl. No. 29/710,923, Oct. 28, 2019, Roberts et al.
 U.S. Appl. No. 29/710,926, Oct. 28, 2019, Roberts et al.
 U.S. Appl. No. 29/710,931, Oct. 28, 2019, Roberts et al.
 U.S. Appl. No. 29/710,935, Oct. 28, 2019, Roberts et al.

* cited by examiner

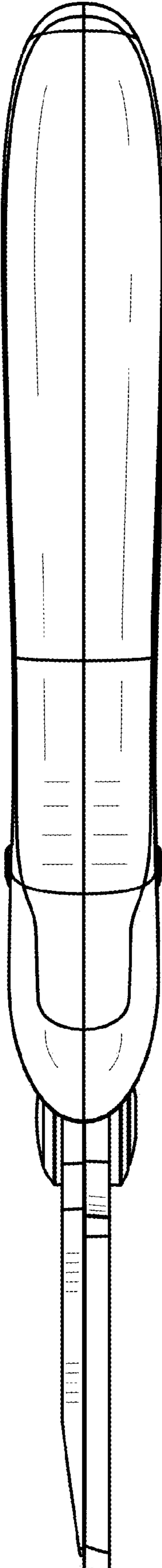


FIG. 1

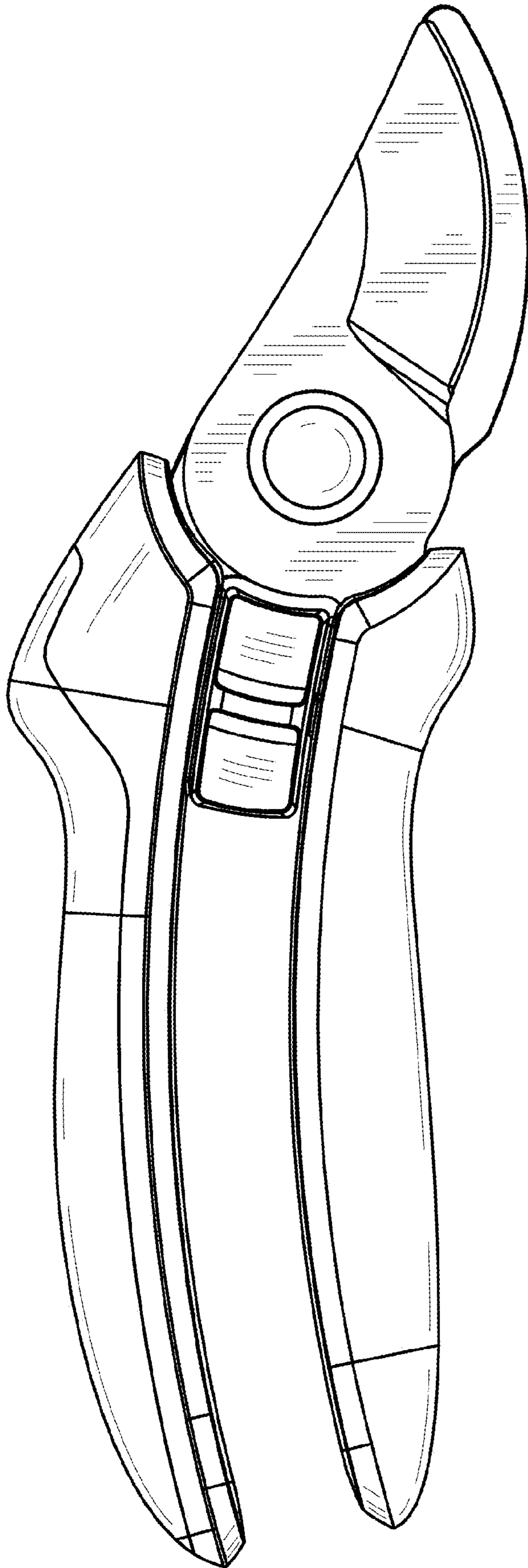


FIG. 2

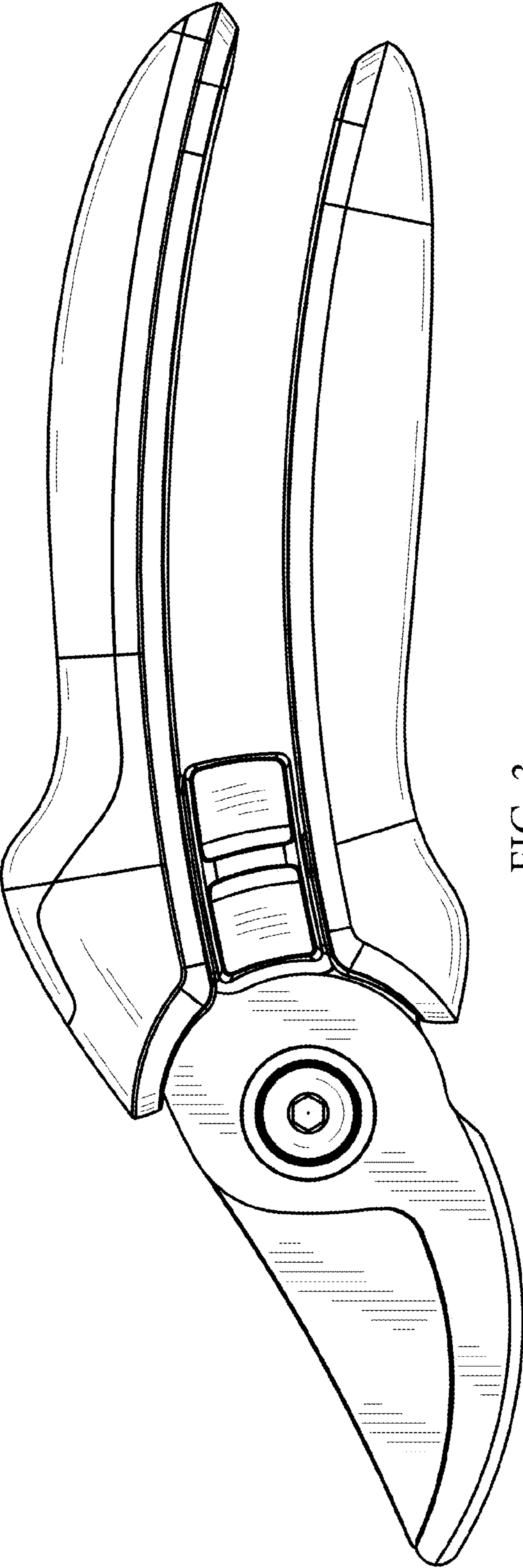


FIG. 3

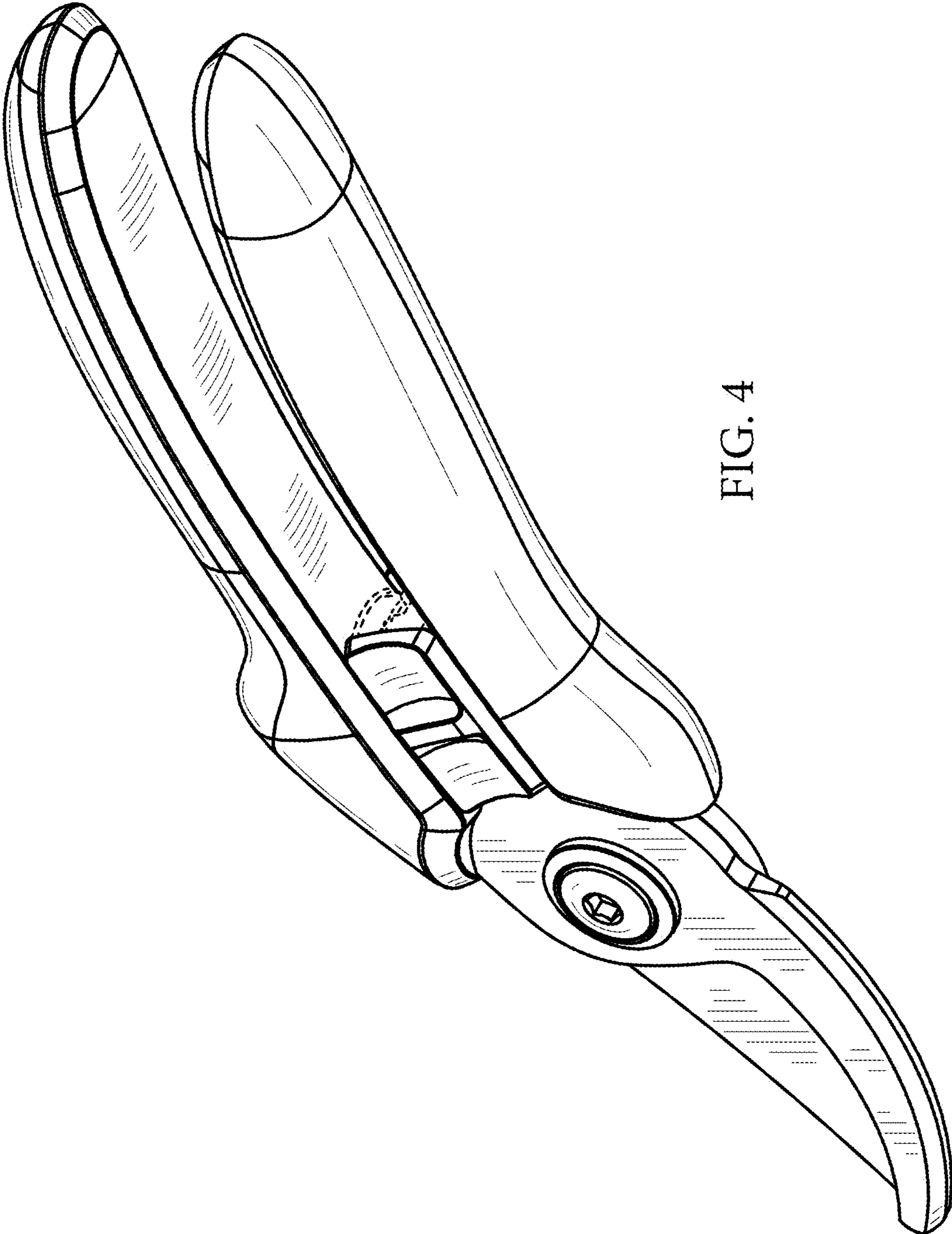


FIG. 4

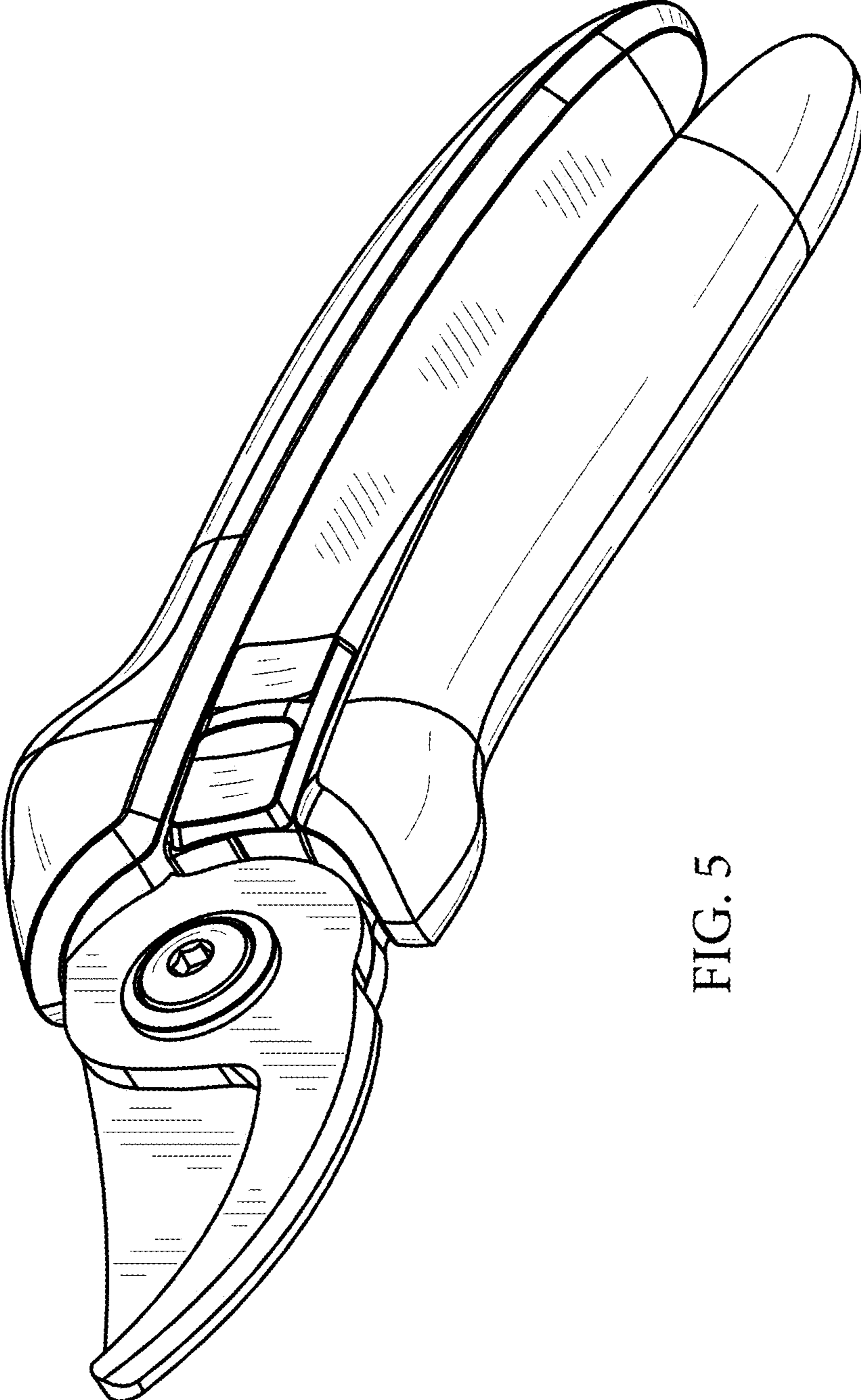


FIG. 5

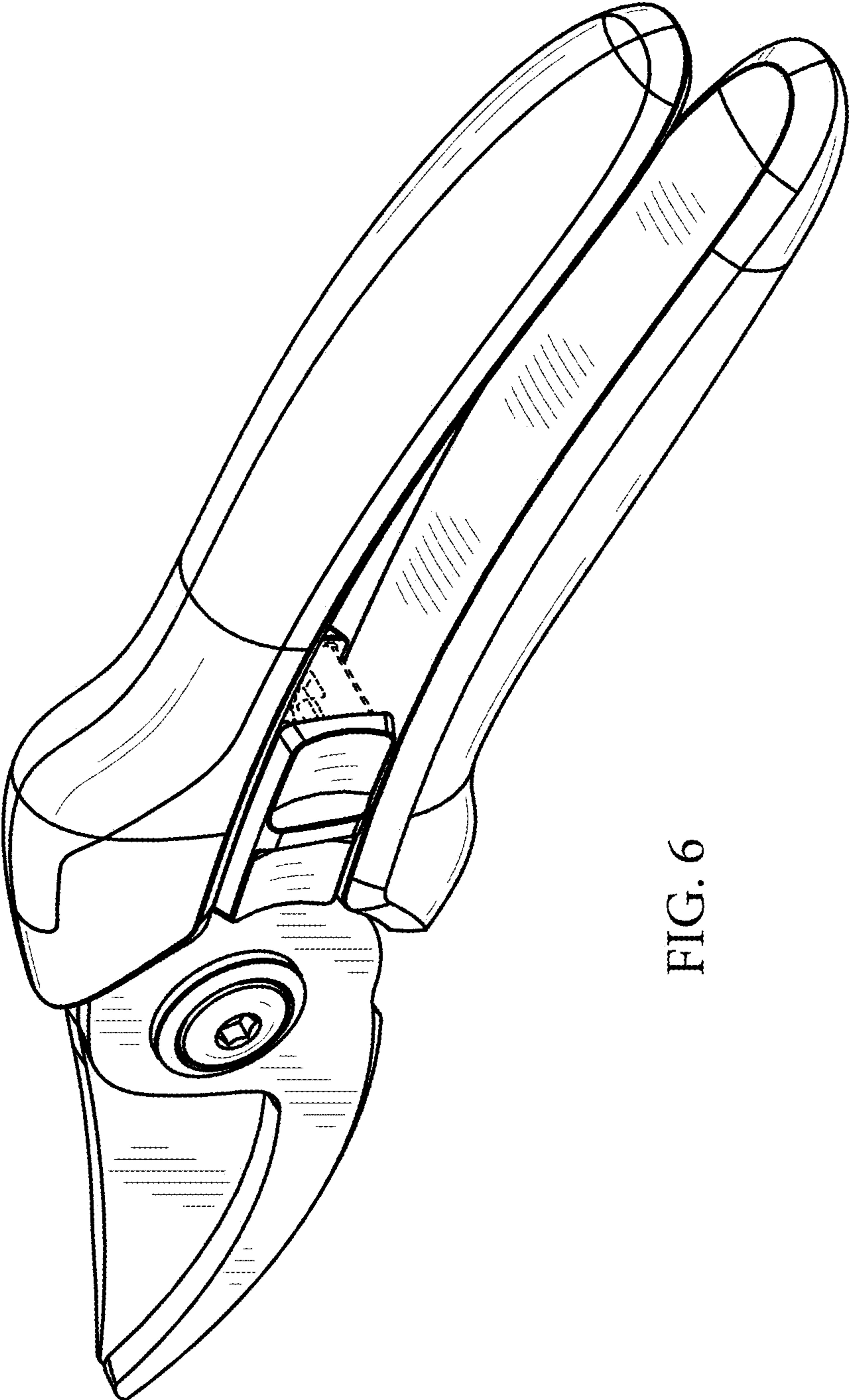


FIG. 6

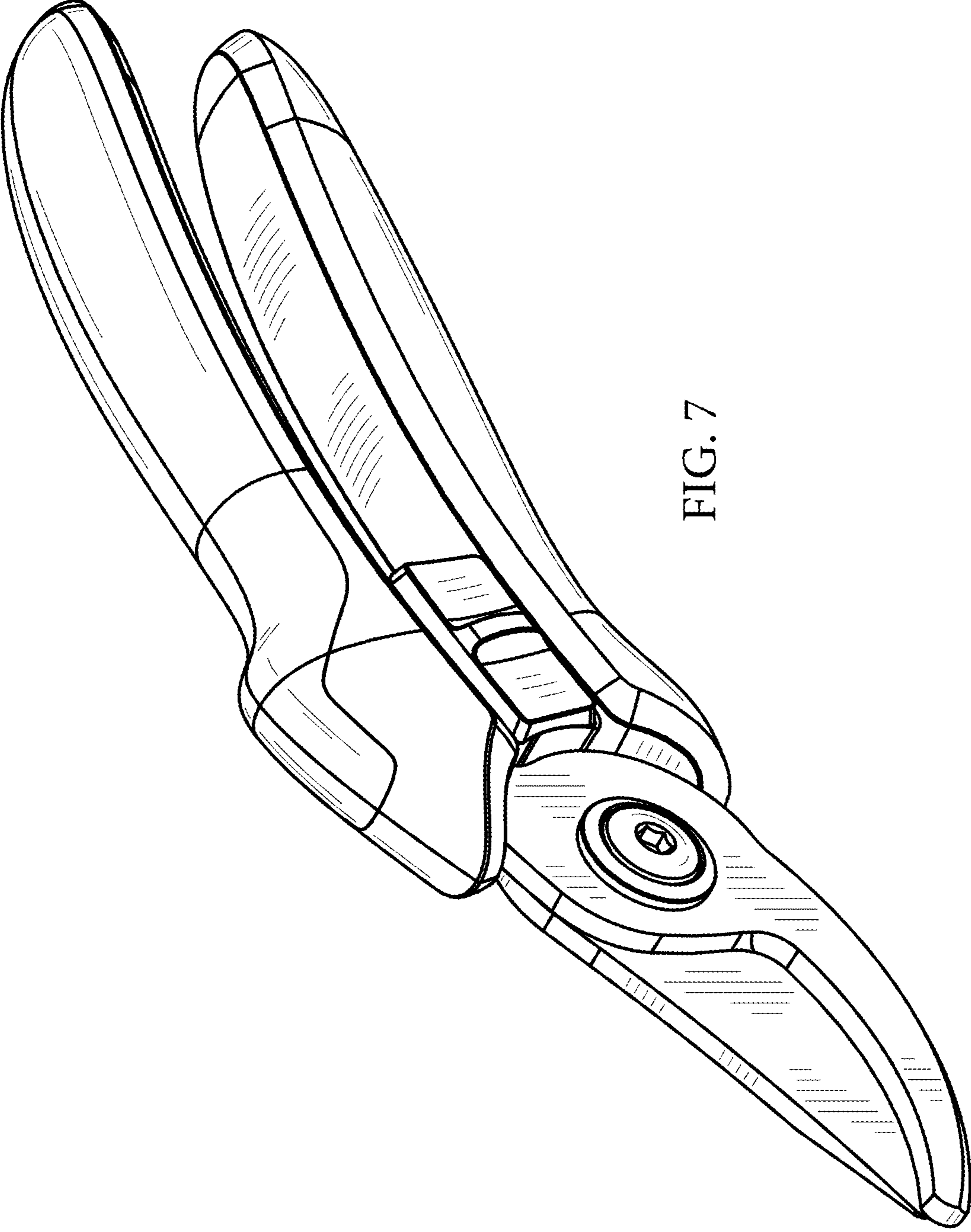


FIG. 7

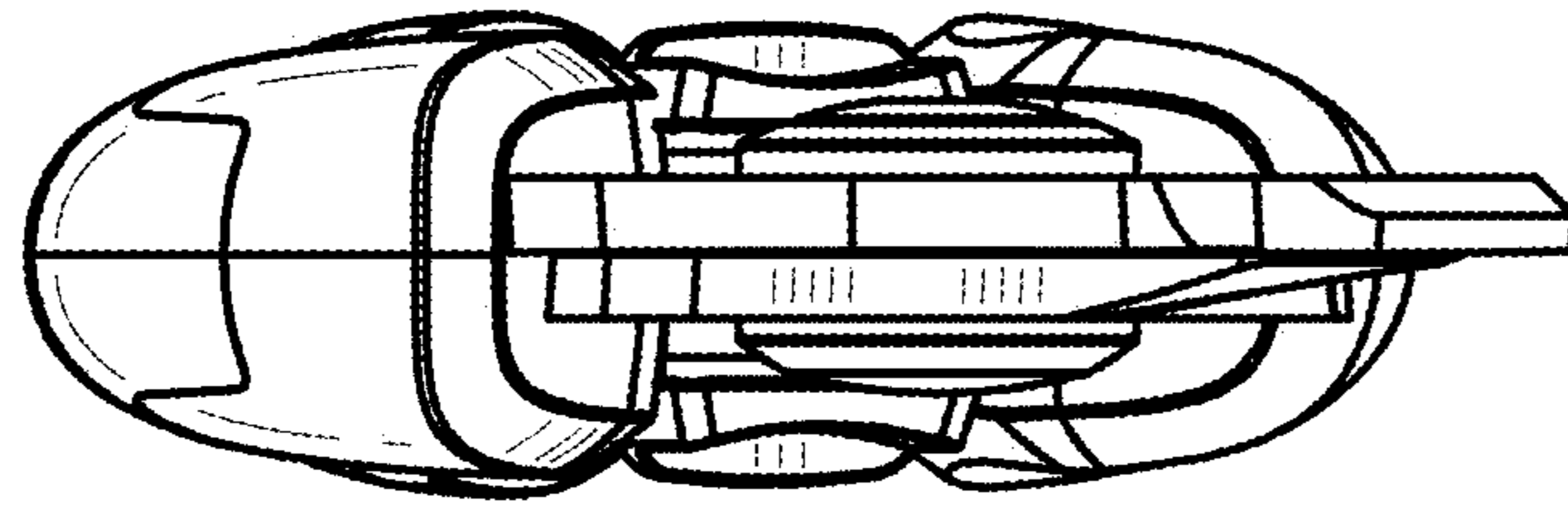


FIG. 8

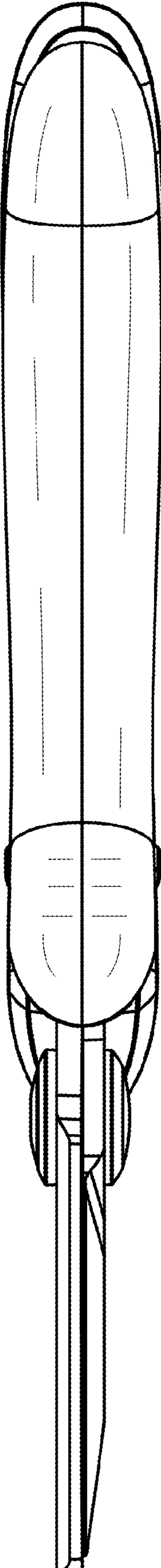


FIG. 9

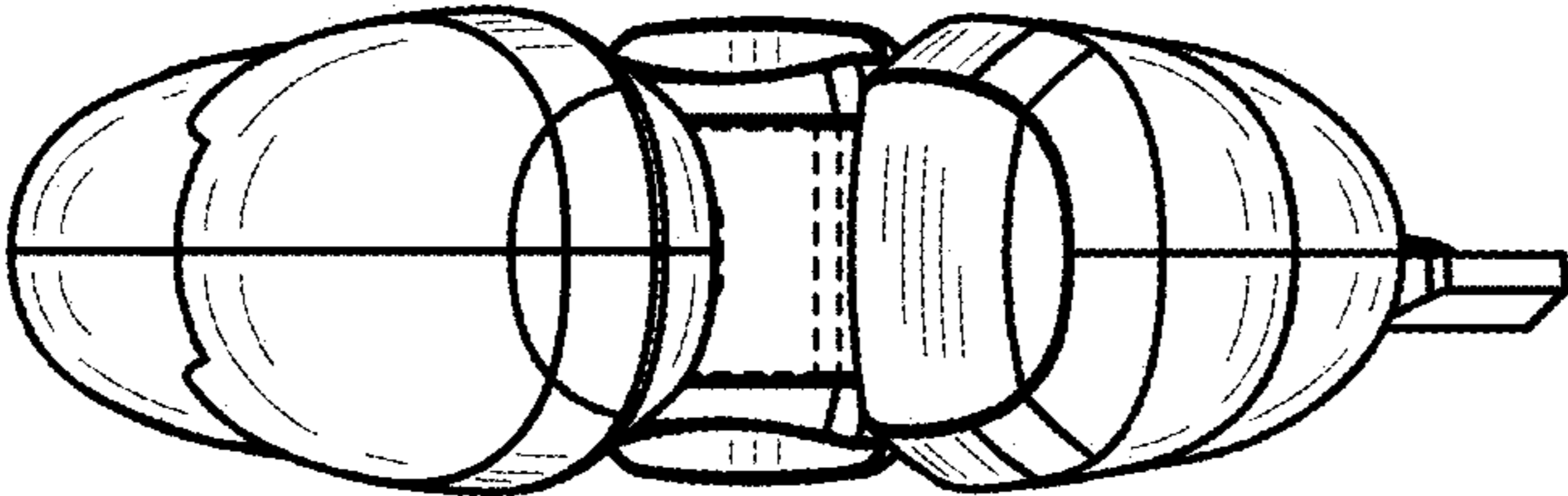


FIG. 10