



US00D924644S

(12) **United States Design Patent** (10) **Patent No.:** **US D924,644 S**
Sevrey (45) **Date of Patent:** **** Jul. 13, 2021**

(54) **HANDHELD SPREADER**
(71) Applicant: **Earthway Products Inc**, Bristol, IN (US)
(72) Inventor: **Richard Sevrey**, Bristol, IN (US)
(**) Term: **15 Years**
(21) Appl. No.: **29/778,182**
(22) Filed: **Apr. 12, 2021**

D893,270 S * 8/2020 Hsu D8/2
D896,042 S * 9/2020 Knight D8/2
D896,599 S * 9/2020 Knight D8/2
D897,166 S * 9/2020 Knight D8/2
D901,996 S * 11/2020 Knight D8/2
D915,847 S * 4/2021 Sevrey D8/2
D916,569 S * 4/2021 Hsu D8/2

(Continued)

Primary Examiner — Mark A Goodwin

Related U.S. Application Data

(62) Division of application No. 29/699,267, filed on Jul. 24, 2019, now Pat. No. Des. 915,847.
(51) **LOC (13) Cl.** **08-01**
(52) **U.S. Cl.**
USPC **D8/2; D15/13**
(58) **Field of Classification Search**
USPC D8/2; D15/13
CPC A01C 15/02; A01C 15/00; A01C 15/04;
A01C 15/006; A01C 7/00; A01C 7/02;
E01H 10/007; E01C 2019/206; E01C
19/203; E01C 19/205
See application file for complete search history.

(57) **CLAIM**

The ornamental design for a handheld spreader, as shown and described.

DESCRIPTION

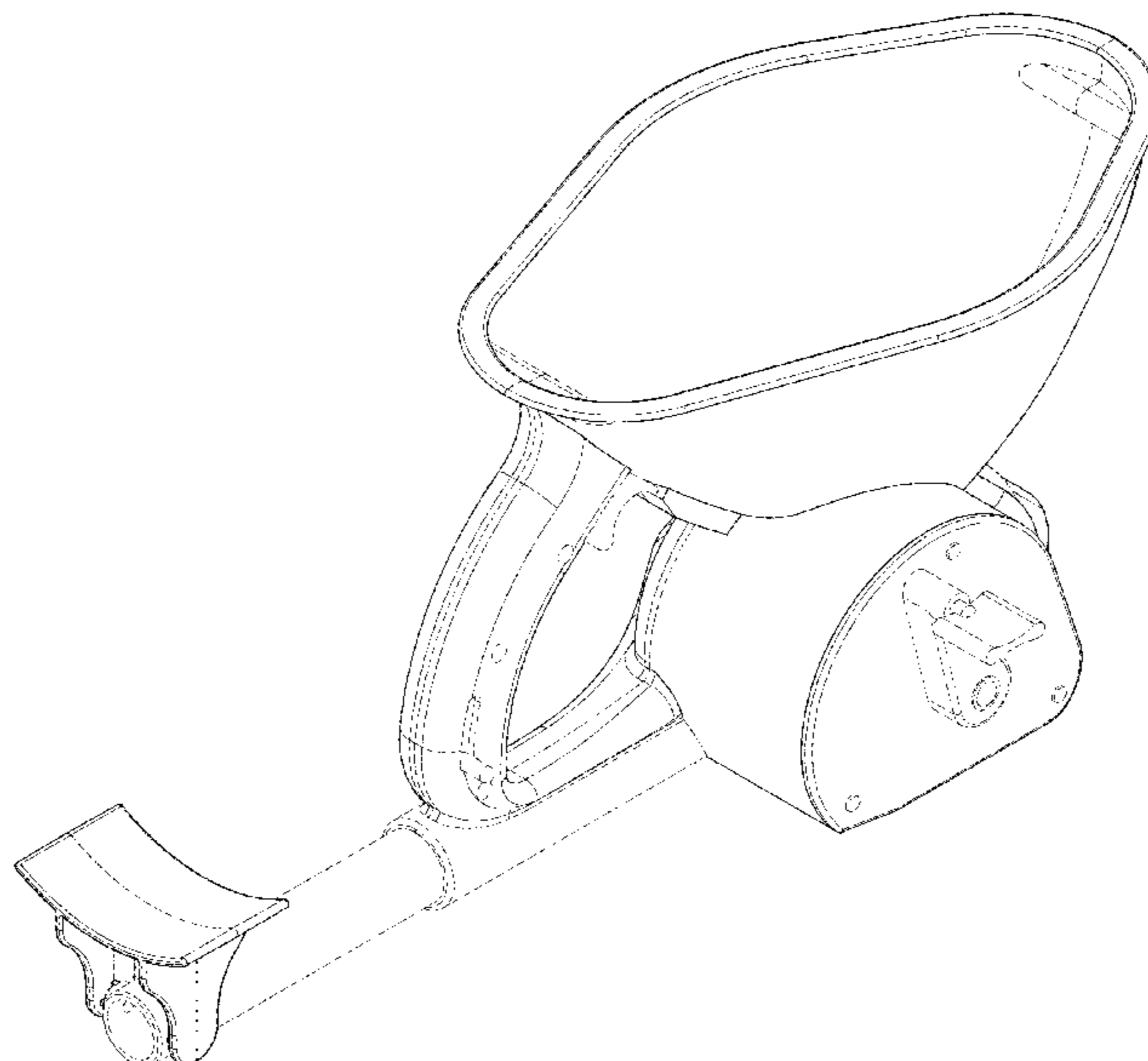
FIG. 1 is a top, left, rear perspective view of a handheld spreader with an extendable handle thereof in a first state according to our new design;
FIG. 2 is a top, right, front perspective view thereof;
FIG. 3 is a left side elevation view thereof;
FIG. 4 is a right side elevation view thereof;
FIG. 5 is a front elevation view thereof;
FIG. 6 is a rear elevation view of thereof;
FIG. 7 is a top plan view thereof;
FIG. 8 is a bottom plan view thereof;
FIG. 9 is a top, left, rear perspective view thereof showing the extendable handle in a second state;
FIG. 10 is a top, right, front perspective view thereof;
FIG. 11 is a left side elevation view thereof;
FIG. 12 is a right side elevation view thereof;
FIG. 13 is a front elevation view thereof;
FIG. 14 is a rear elevation view of thereof;
FIG. 15 is a top plan view thereof; and,
FIG. 16 is a bottom plan view thereof.
The broken lines showing the remainder of the handheld spreader are for environmental purposes only and form no part of the claimed design.

(56) **References Cited**

U.S. PATENT DOCUMENTS

5,123,598 A * 6/1992 Courtney A01C 15/02
222/473
D327,823 S * 7/1992 Demarest D15/13
D333,951 S * 3/1993 Courtney D8/2
5,285,971 A * 2/1994 Havlovitz A01C 15/02
222/43
D387,638 S * 12/1997 DeLaby D8/2
D534,044 S * 12/2006 Zak D8/2
D796,922 S * 9/2017 Hsu D8/2
D823,655 S * 7/2018 Dubiel D8/2
D834,901 S * 12/2018 Dubiel D8/2
D855,421 S * 8/2019 Hsu D8/2

1 Claim, 14 Drawing Sheets



(56)

References Cited

U.S. PATENT DOCUMENTS

2006/0016918 A1* 1/2006 Sagol E01C 19/203
239/653
2017/0049042 A1* 2/2017 Hsu A01C 15/02

* cited by examiner

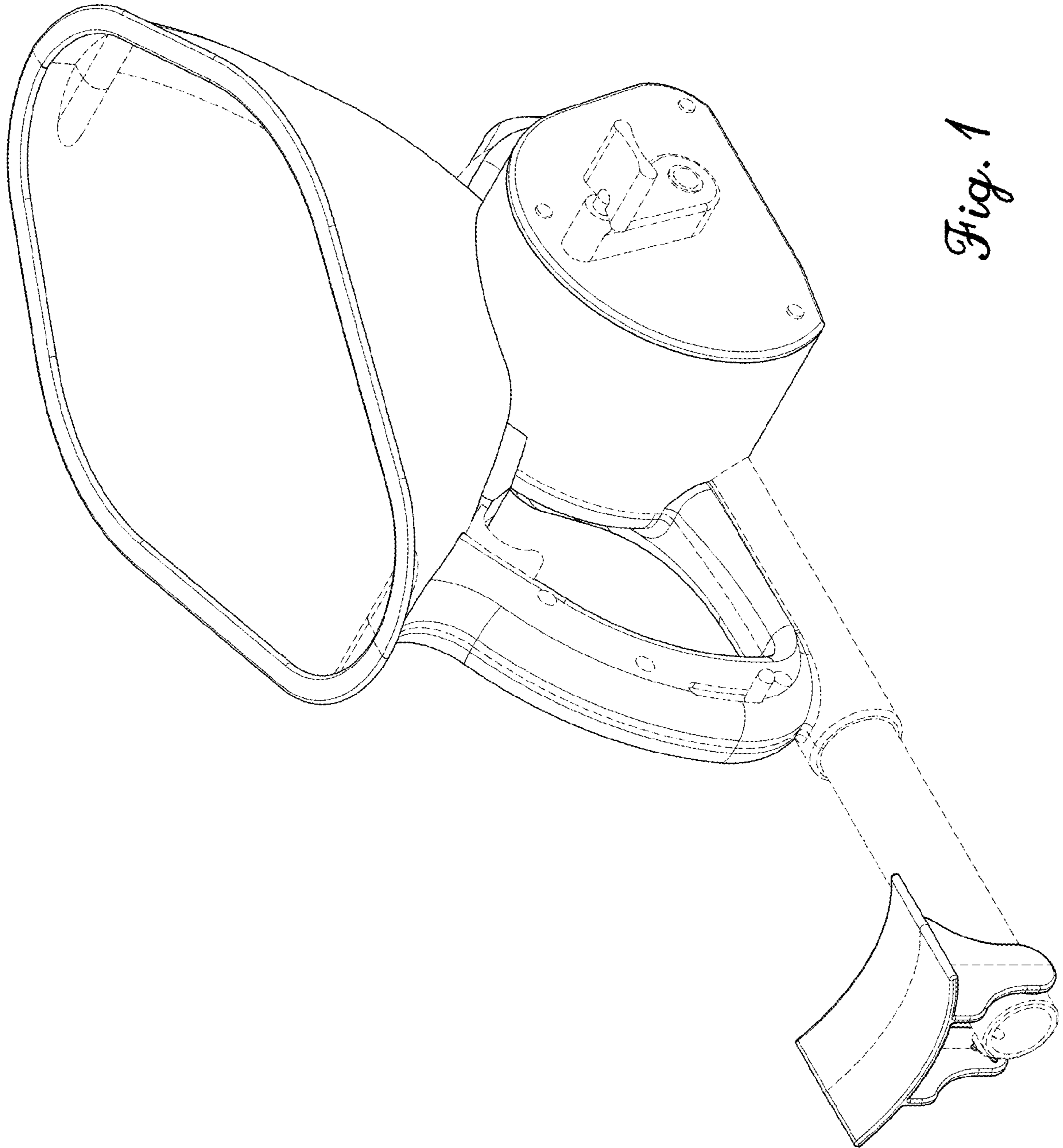


Fig. 1

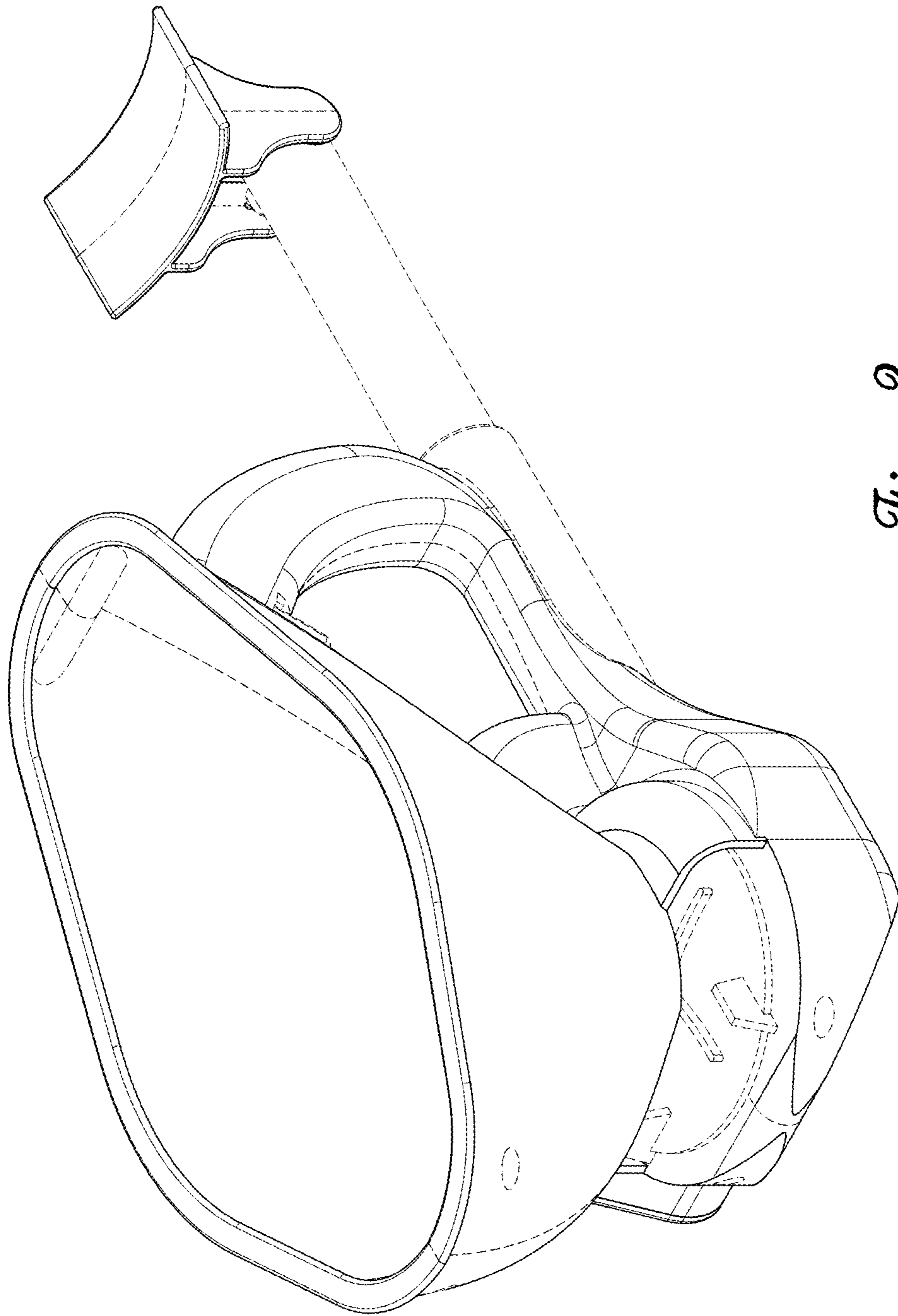


Fig. 2

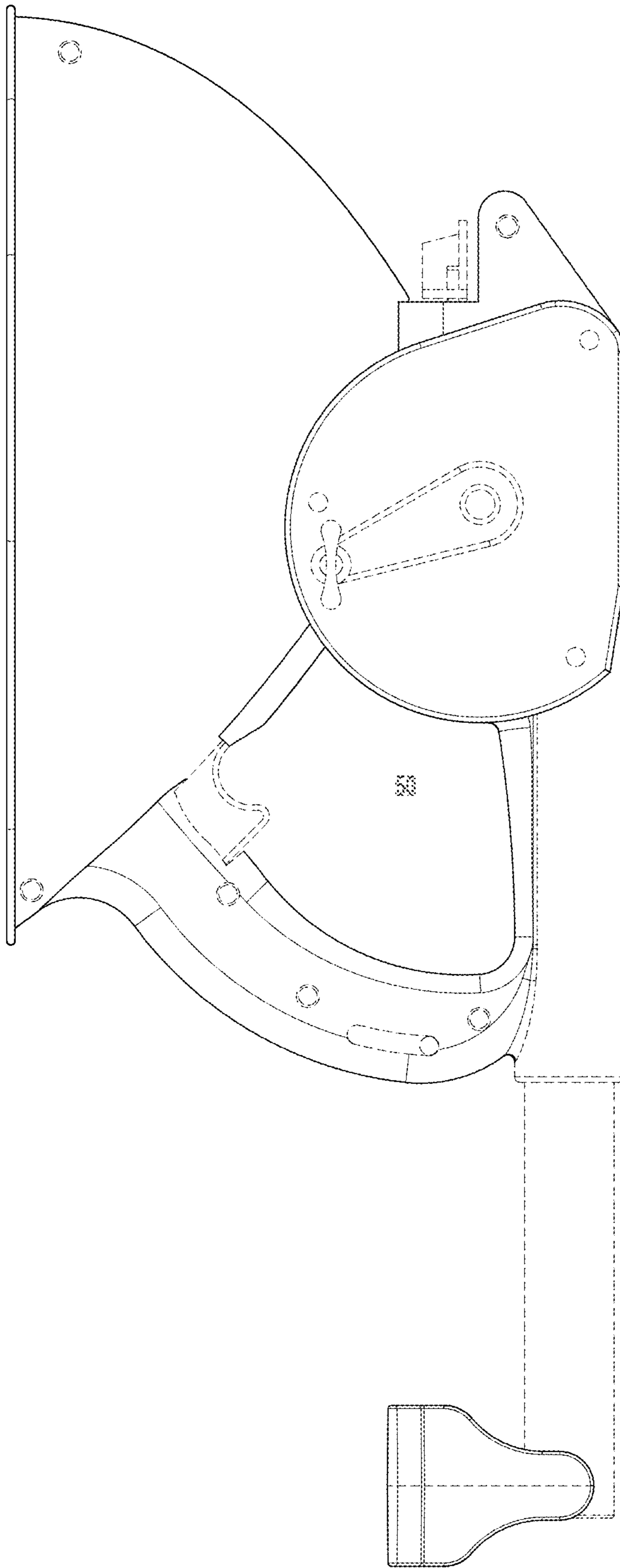


Fig. 3

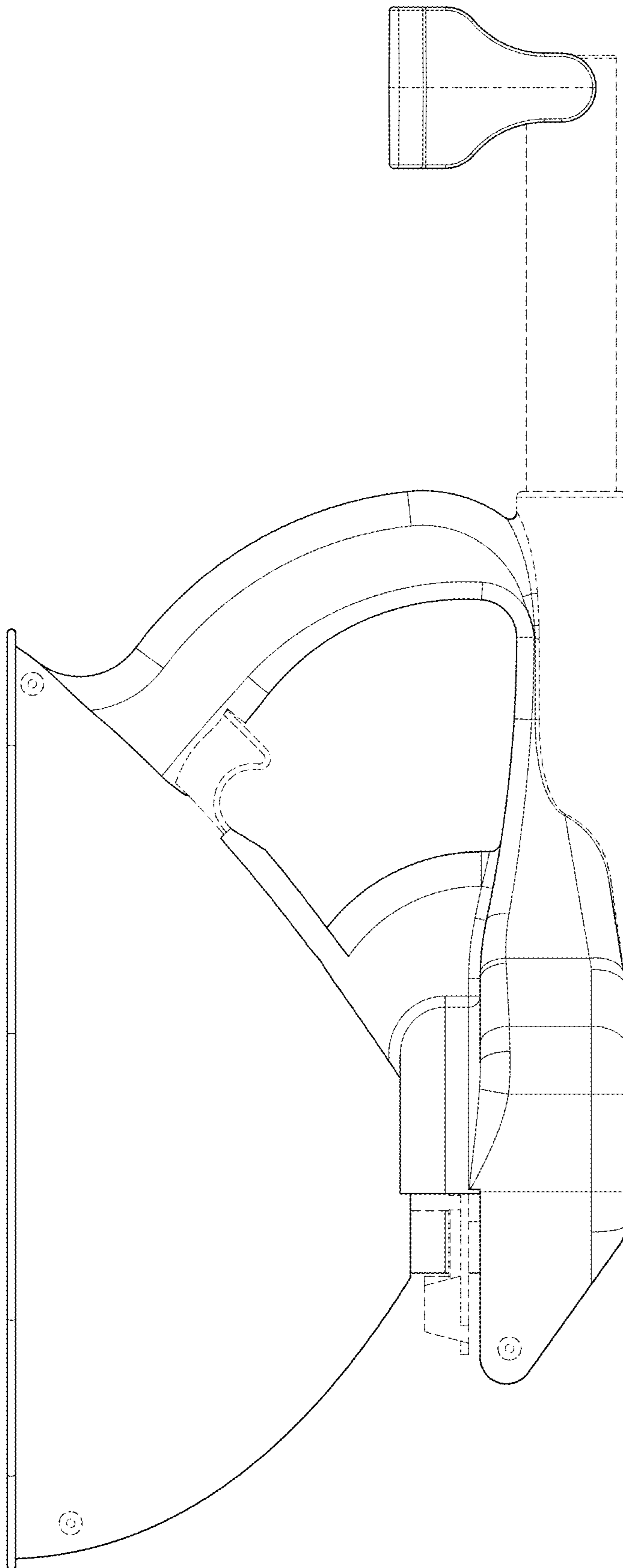


Fig. 4

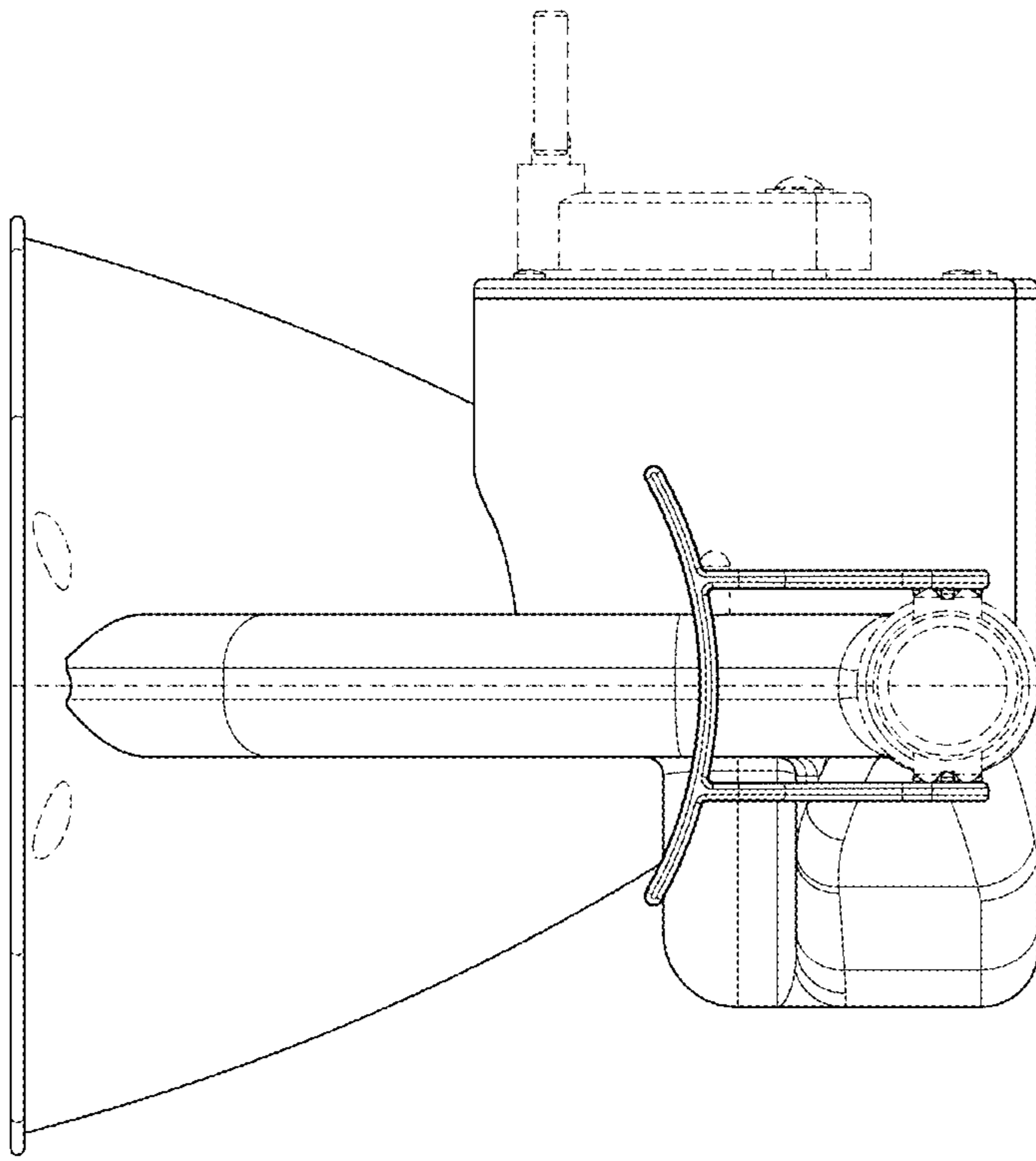


Fig. 6

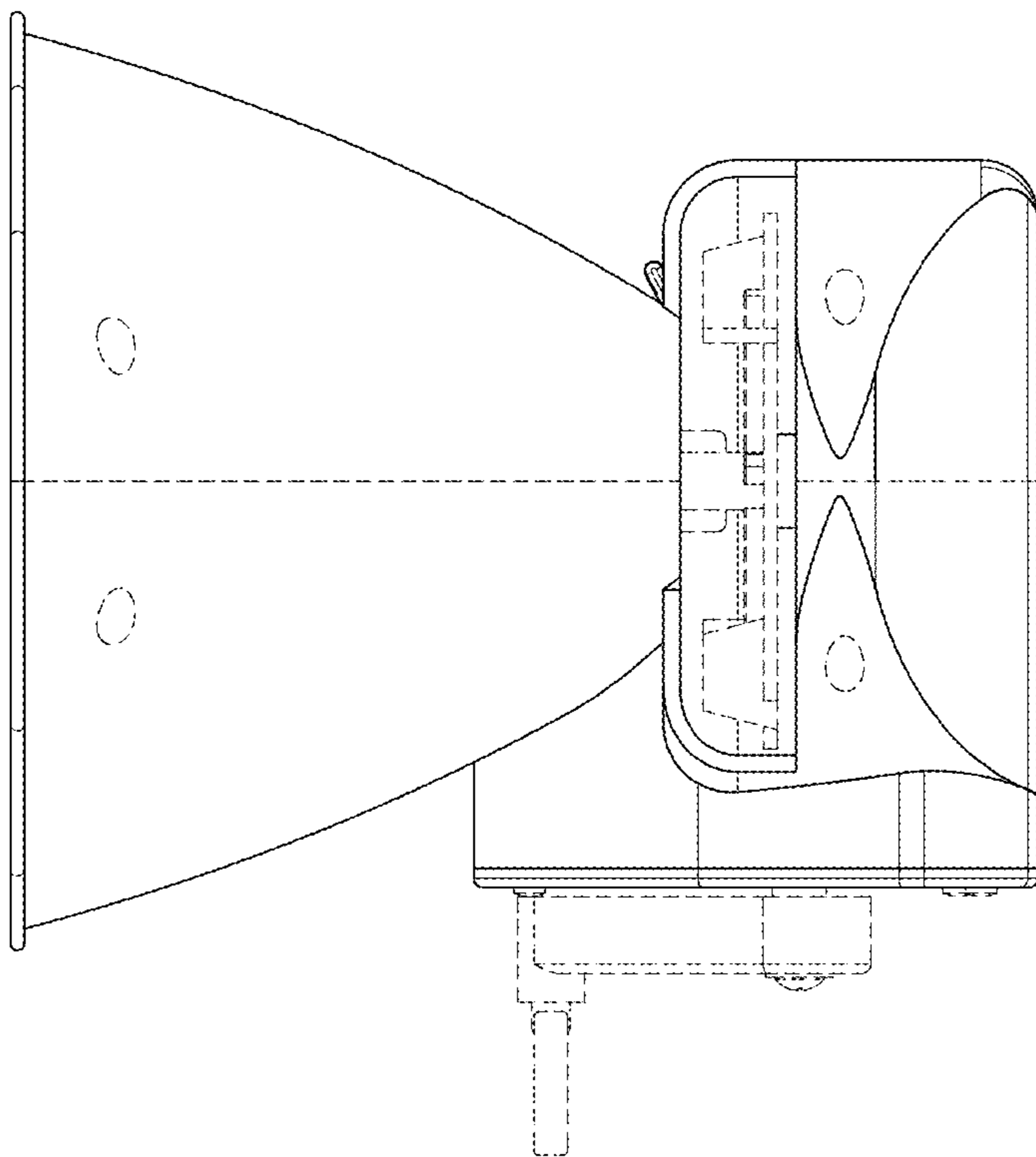


Fig. 5

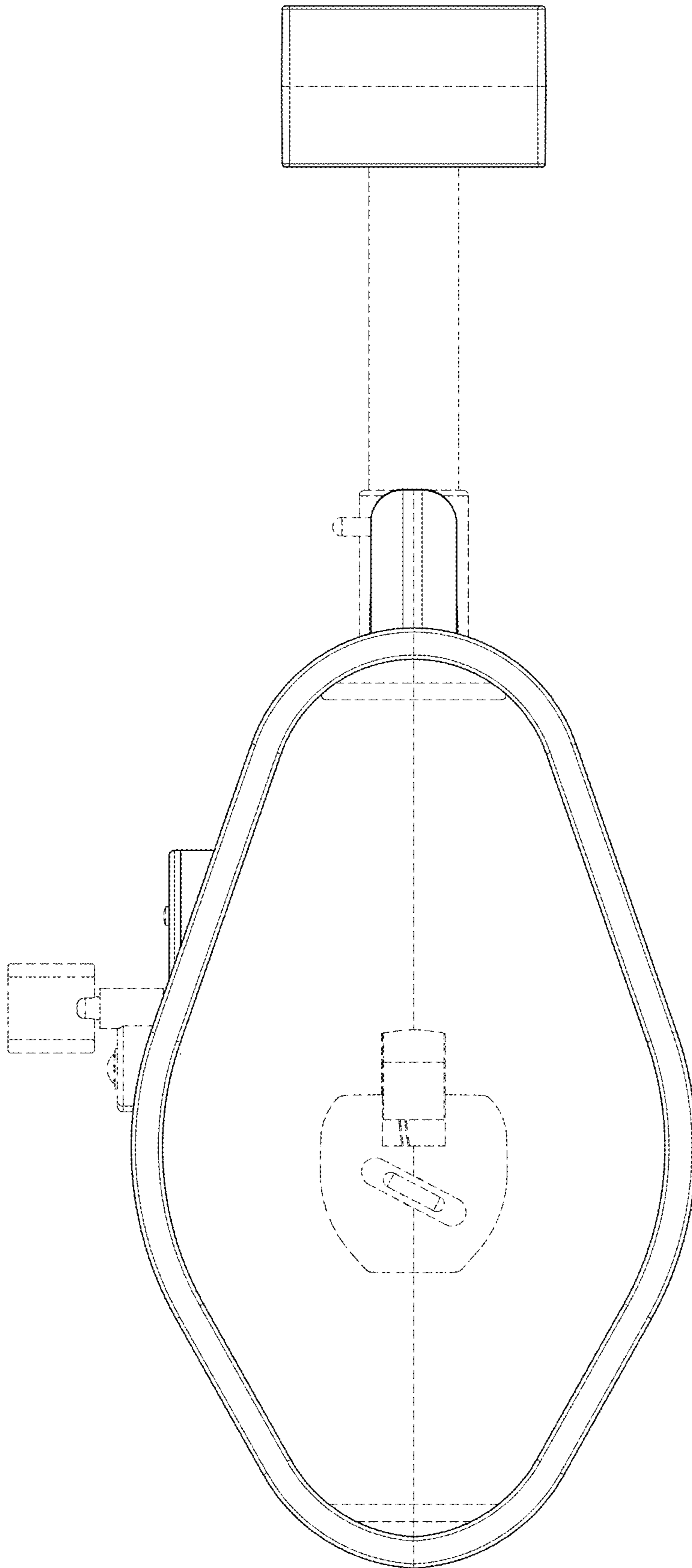


Fig. 7

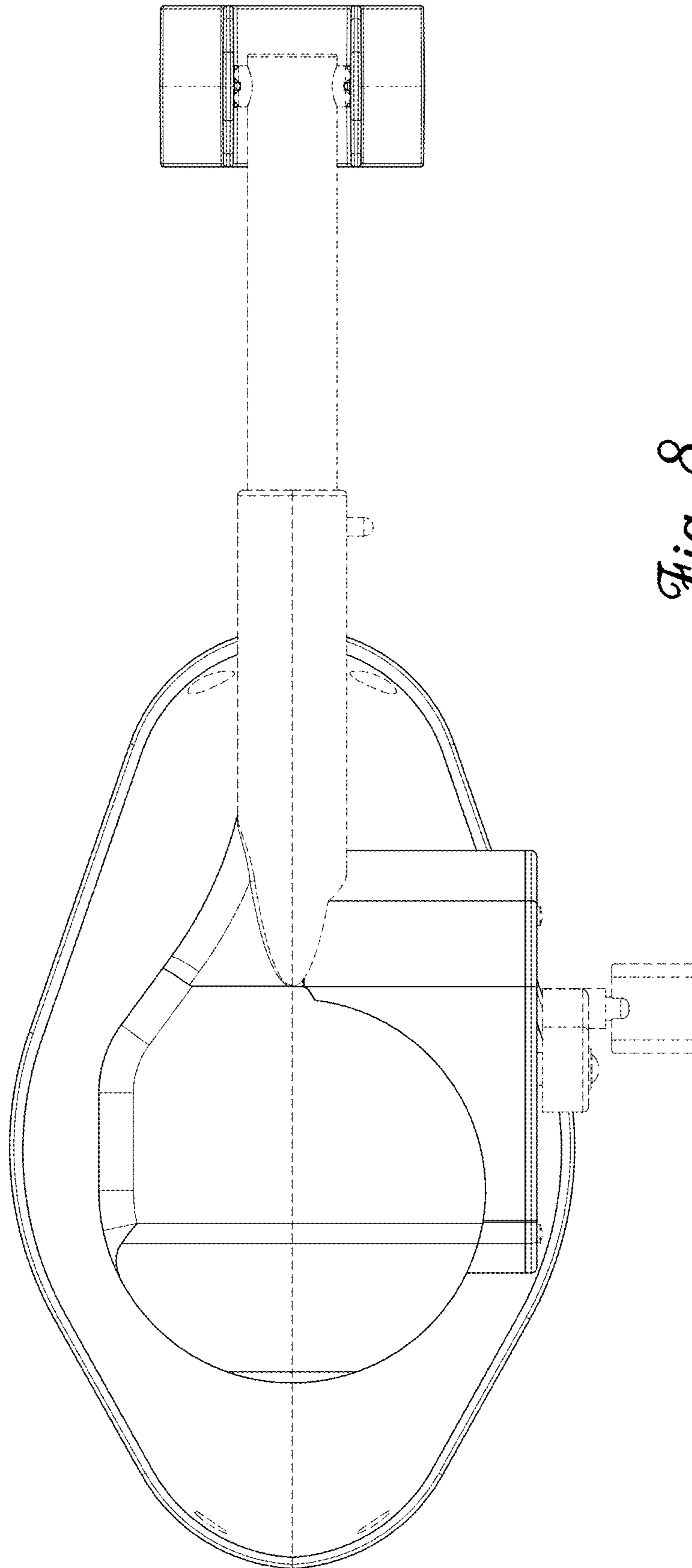


Fig. 8

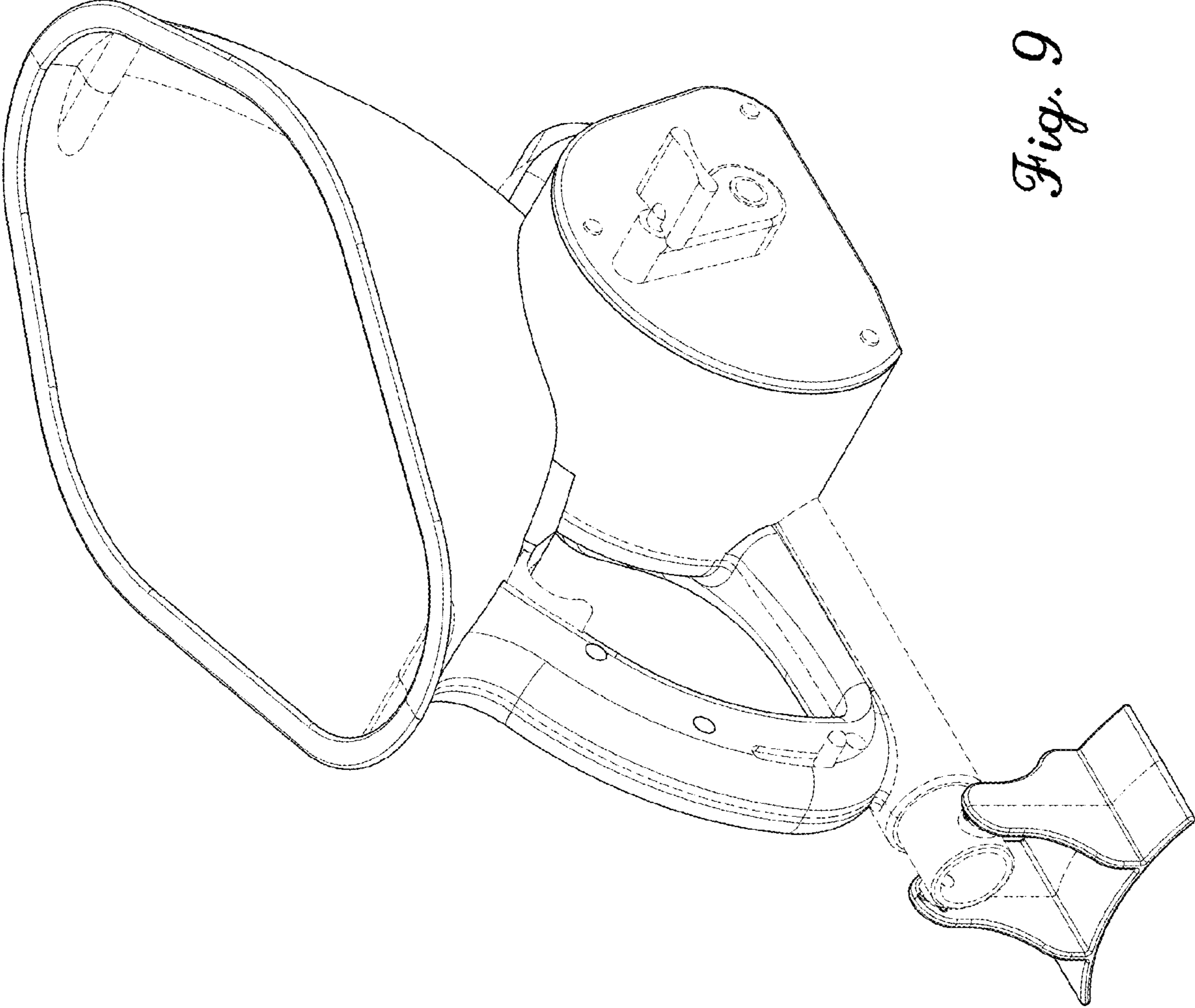


Fig. 9

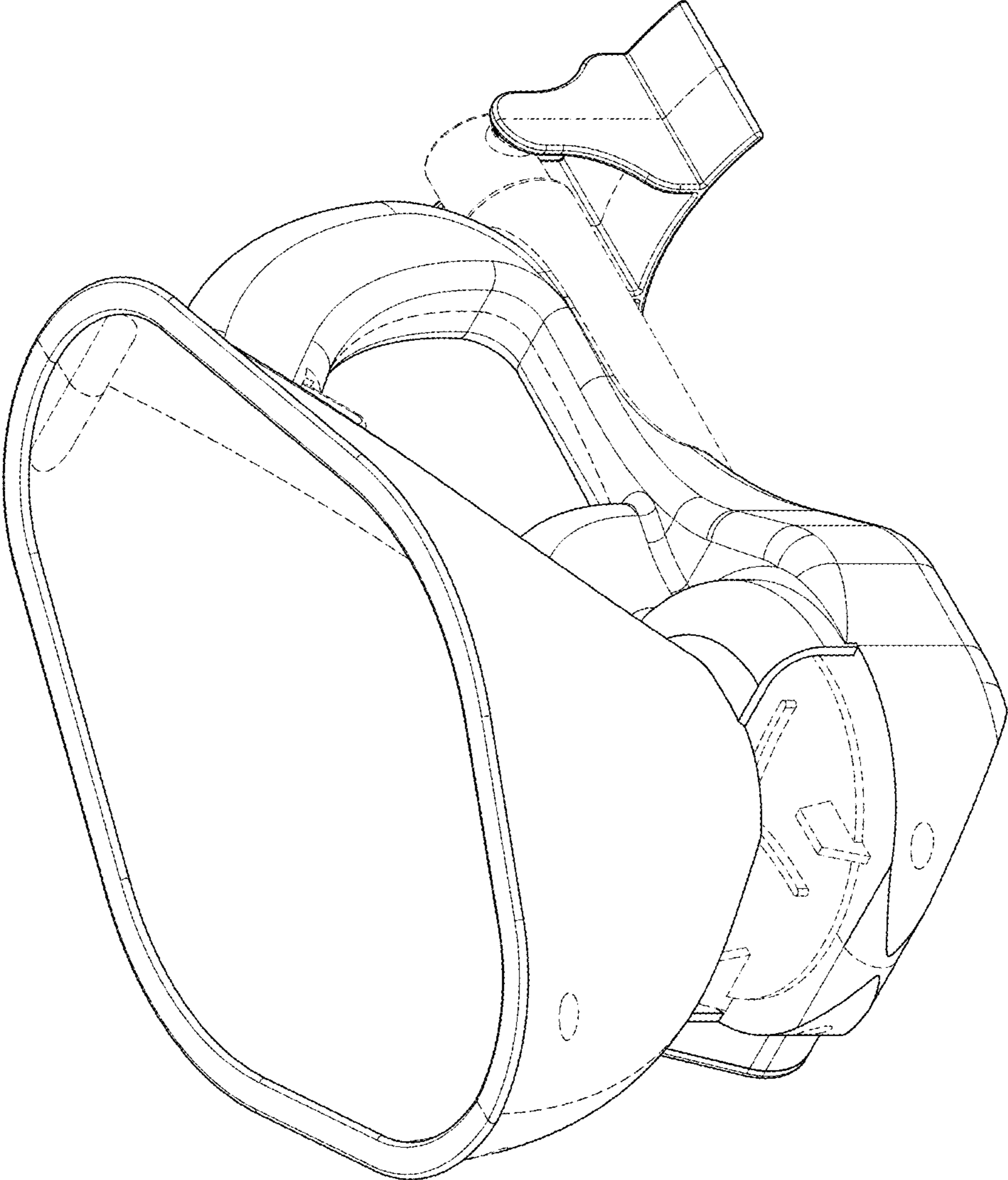


Fig. 10

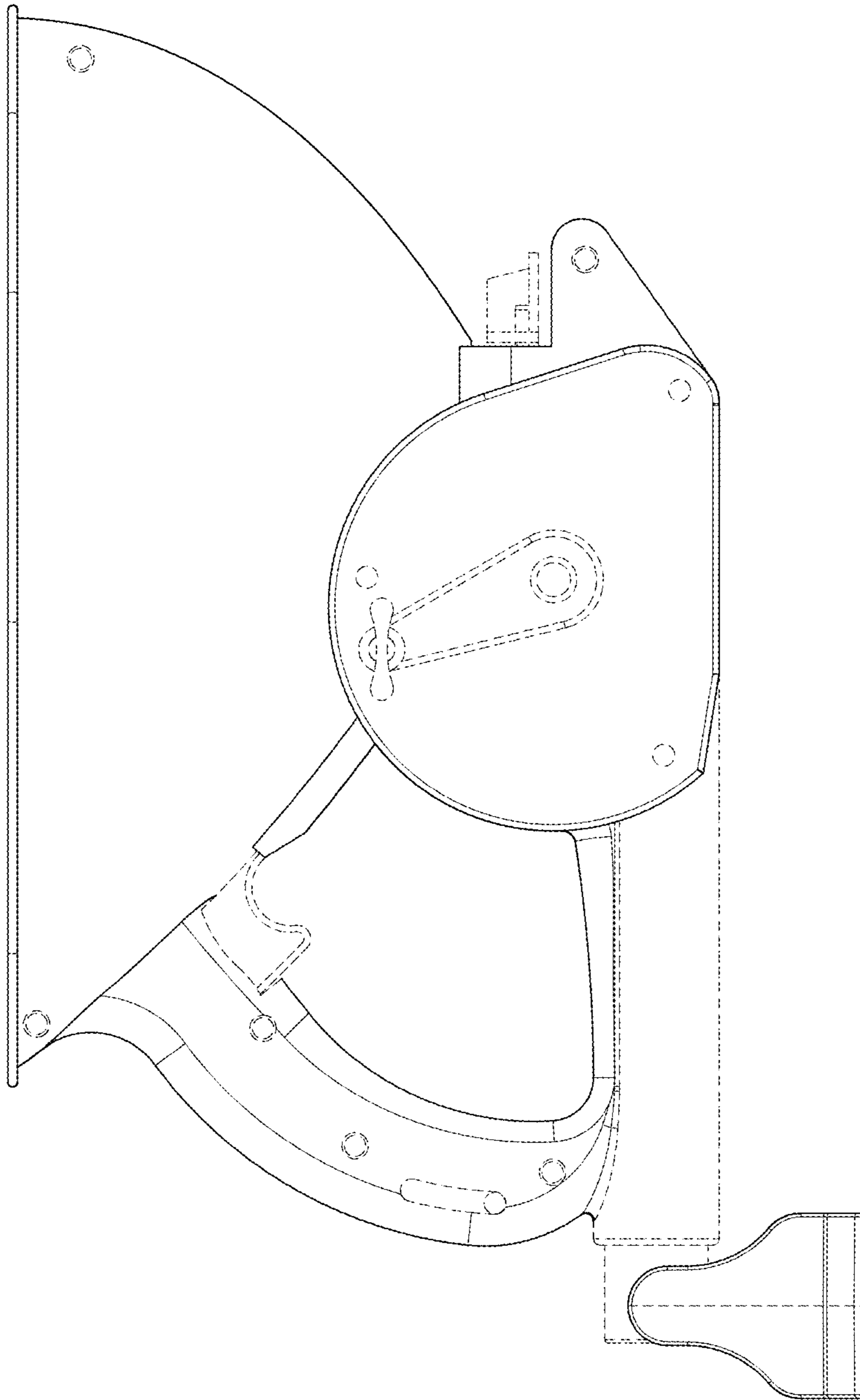


Fig. 11

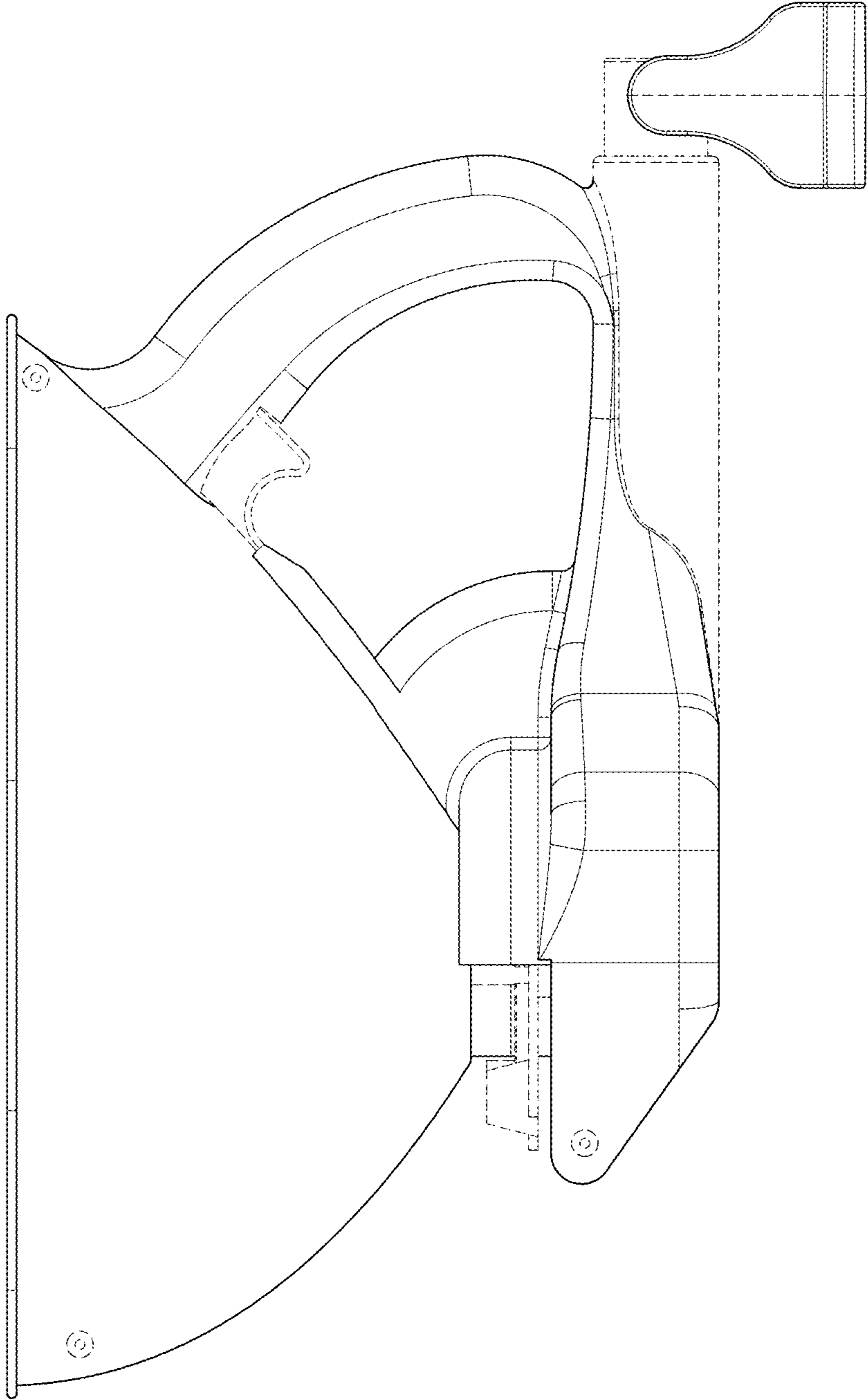


Fig. 12

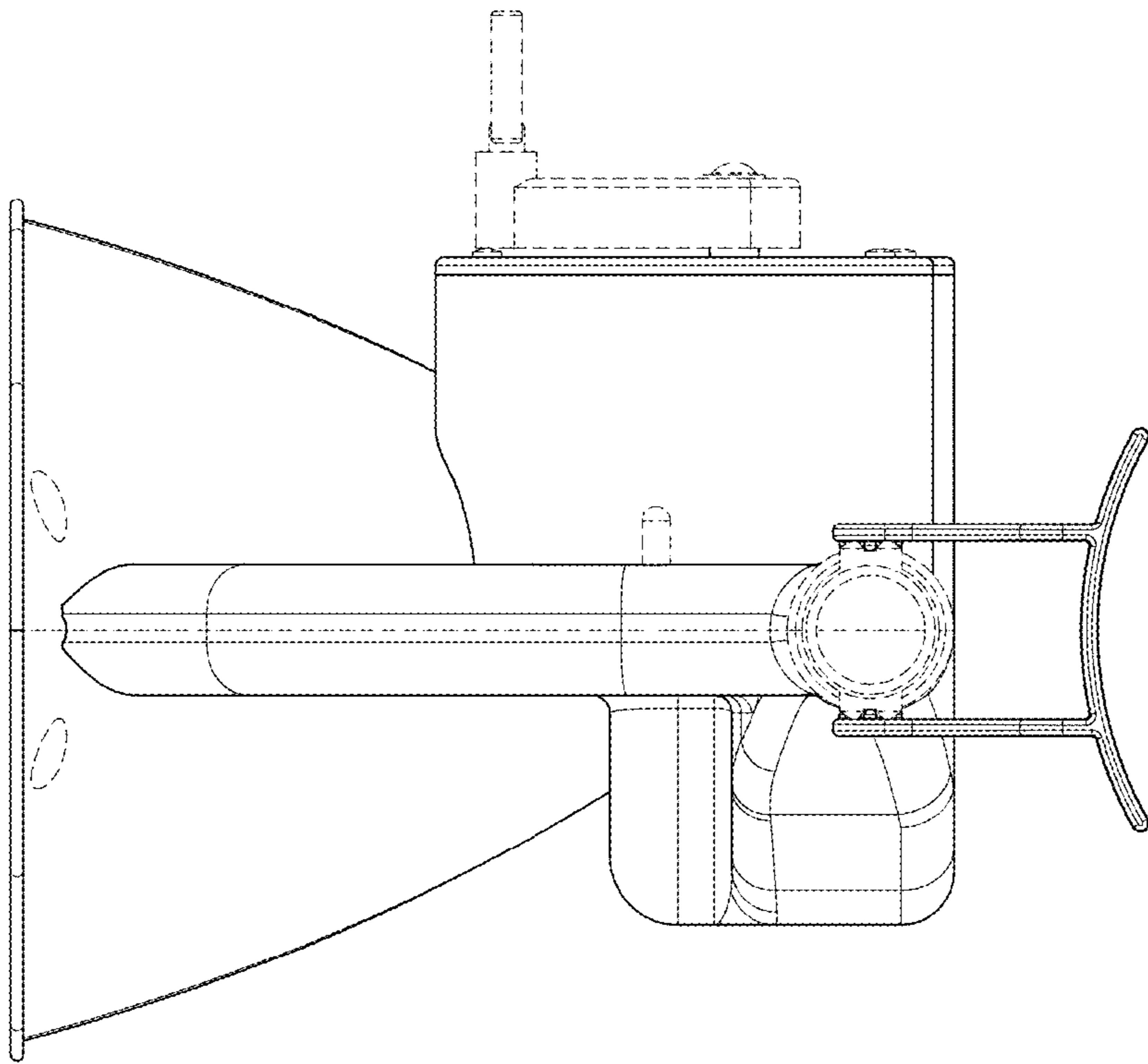


Fig. 14

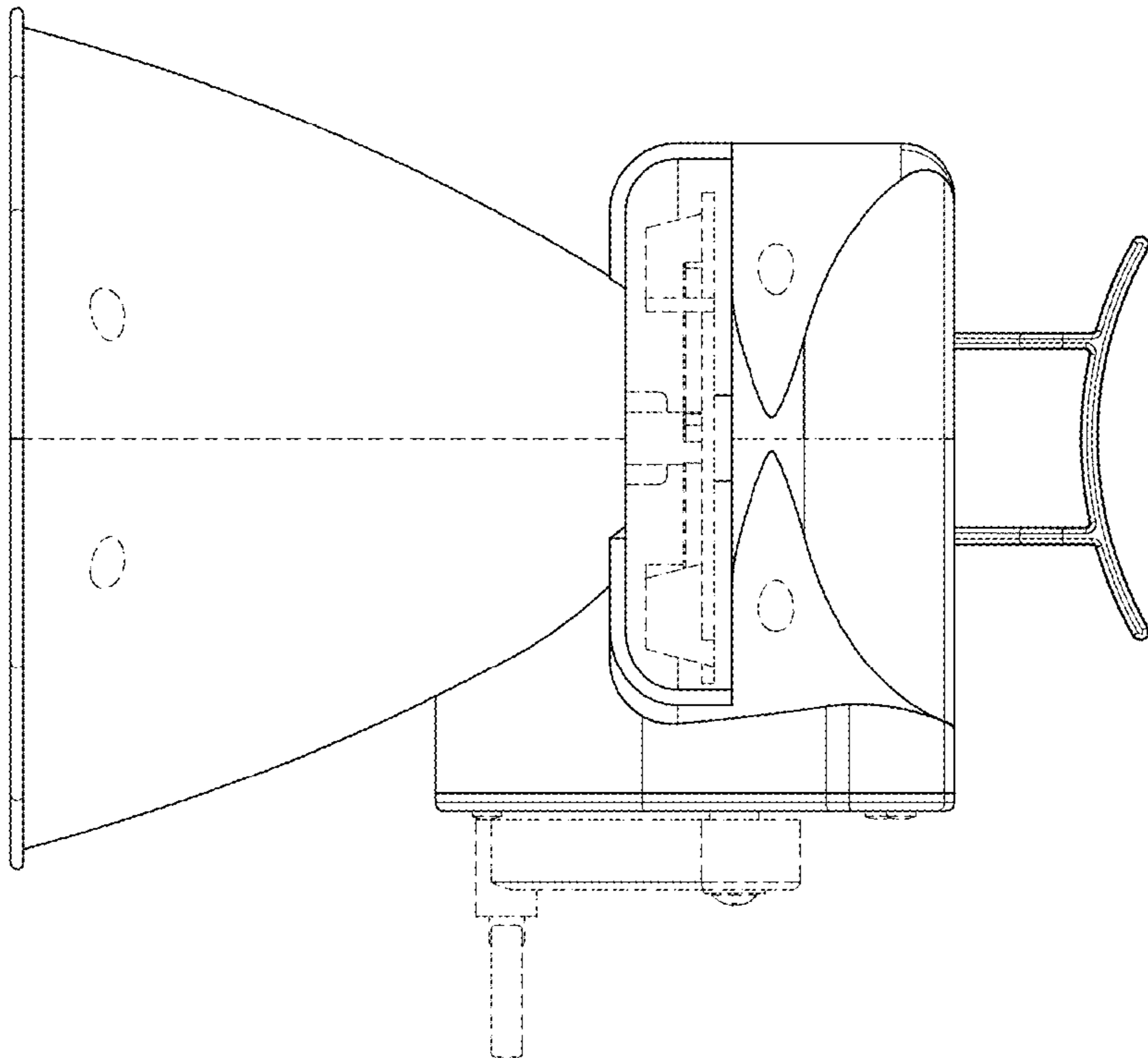


Fig. 13

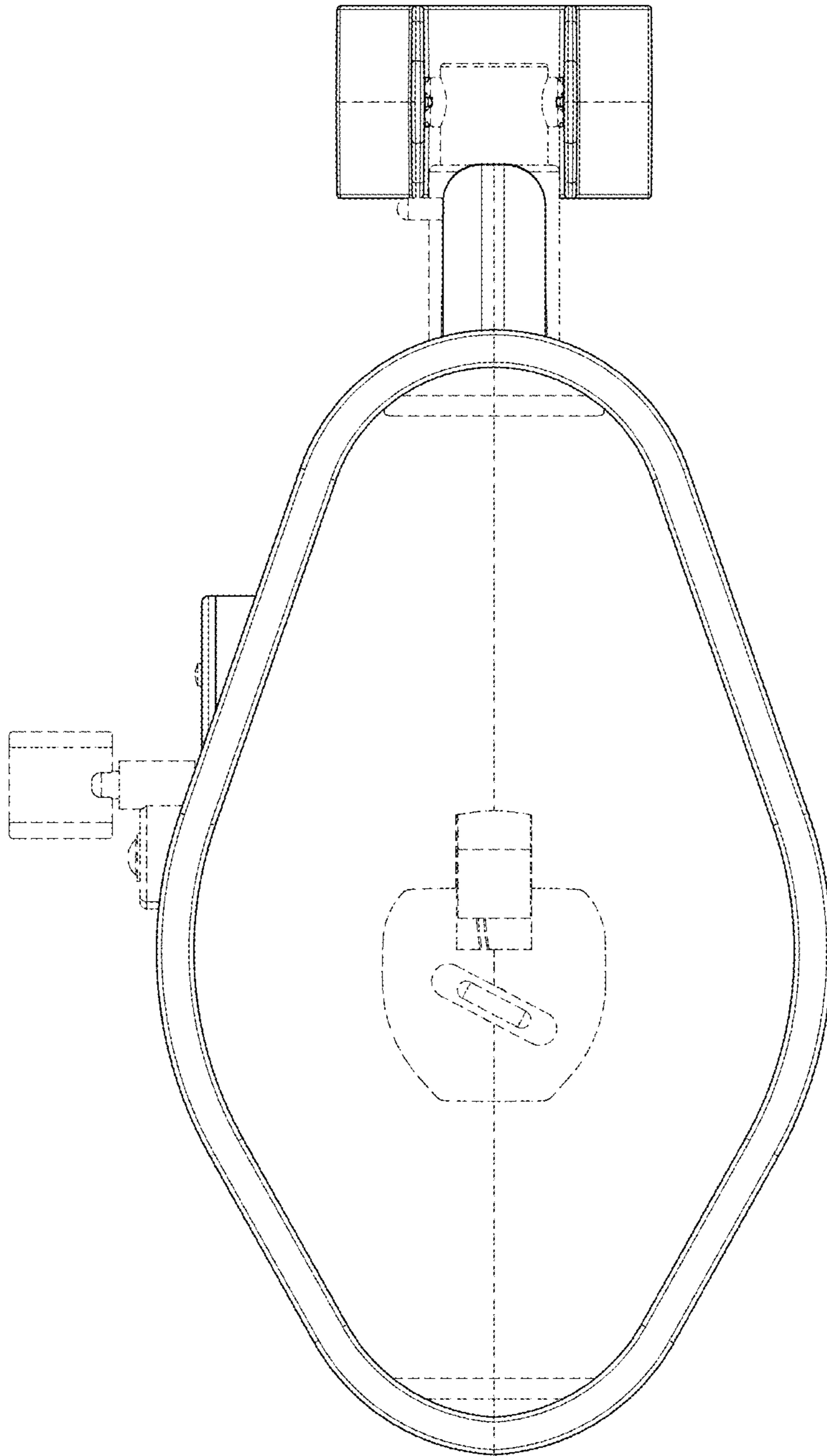


Fig. 15

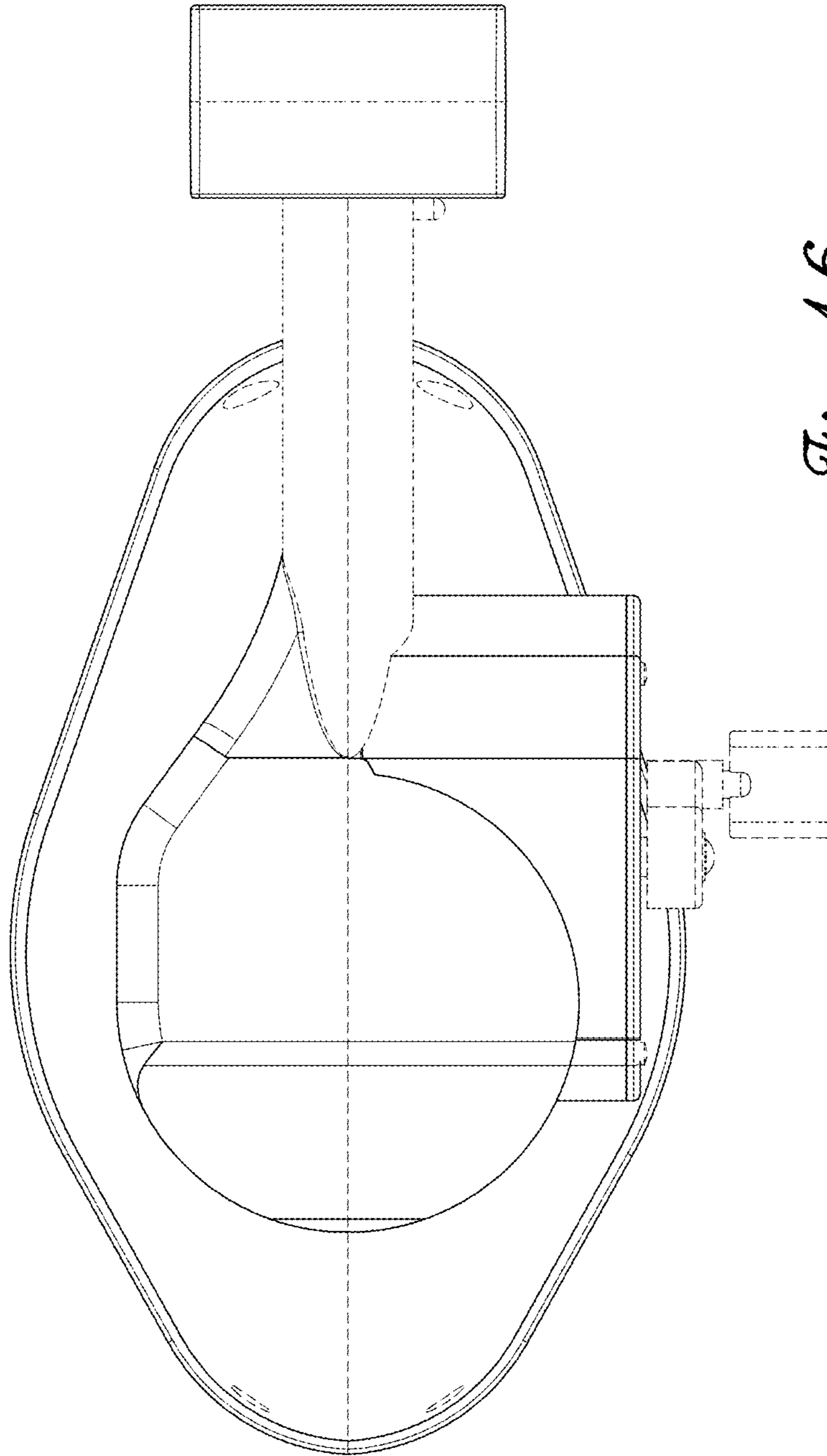


Fig. 16