



US00D924643S

(12) **United States Design Patent** (10) **Patent No.:** **US D924,643 S**
Li (45) **Date of Patent:** **** Jul. 13, 2021**

(54) **COCKTAIL TRAY**
(71) Applicant: **Zongjian Li**, Chengdu (CN)
(72) Inventor: **Zongjian Li**, Chengdu (CN)
(**) Term: **15 Years**
(21) Appl. No.: **29/764,148**
(22) Filed: **Dec. 29, 2020**
(51) **LOC (13) Cl.** **06-04**
(52) **U.S. Cl.**
USPC **D7/701; D7/553.2**
(58) **Field of Classification Search**
USPC ... D7/701, 707, 708, 637-641, 550.1, 553.2,
D7/553.1, 554.1, 554.2, 554.3; D3/313;
D6/512, 552, 527, 528, 534, 535, 682,
D6/682.1, 682.2
CPC A47G 23/0641; A47G 23/06; A47G 23/02;
A47G 23/0208; A47G 23/0241; A47B
73/00; A47B 73/006; A47F 5/16; A47F
7/28; A47F 7/283; B25H 3/04; A47J
47/16; A47K 1/09
See application file for complete search history.

6,283,566 B1 * 9/2001 Doces A47B 81/04
211/71.01
D505,841 S * 6/2005 Fiedeler D6/525
D519,387 S * 4/2006 Liukko D9/756
D528,876 S * 9/2006 King D7/701
D603,228 S 11/2009 Frentzel
D638,670 S 5/2011 Breitenmoser
D690,164 S * 9/2013 Lock D7/553.2
2015/0238034 A1 * 8/2015 Faulk A47G 23/0633
220/737

(56) **References Cited**
U.S. PATENT DOCUMENTS
D127,900 S * 6/1941 Block D6/699
D198,098 S * 4/1964 Kaneko D6/569
3,480,152 A * 11/1969 Walsh B01L 9/06
211/74
D231,594 S * 5/1974 Demers D7/701
D289,974 S * 5/1987 Hamilton D9/418

OTHER PUBLICATIONS

Cocktail Shaker Set with Bar Mat, available Amazon.com Jul. 4, 2019.*

* cited by examiner

Primary Examiner — Terry A Wallace

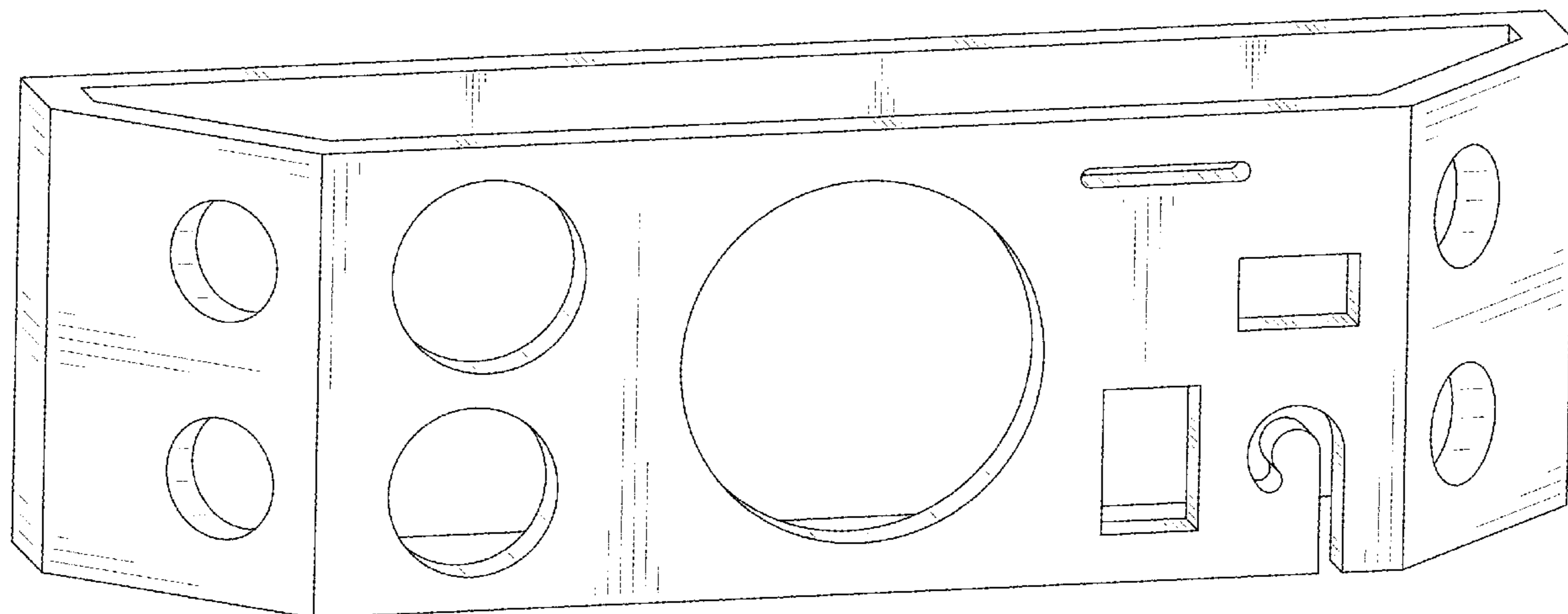
(57) **CLAIM**

The ornamental design for a cocktail tray, as shown and described.

DESCRIPTION

FIG. 1 is a perspective view of a cocktail tray showing my new design;
FIG. 2 is another perspective view thereof;
FIG. 3 is a front elevational view thereof;
FIG. 4 is a rear elevational view thereof;
FIG. 5 is a left side elevational view thereof;
FIG. 6 is a right side elevational view thereof;
FIG. 7 is a top plan view thereof; and,
FIG. 8 is a bottom plan view thereof.

1 Claim, 8 Drawing Sheets



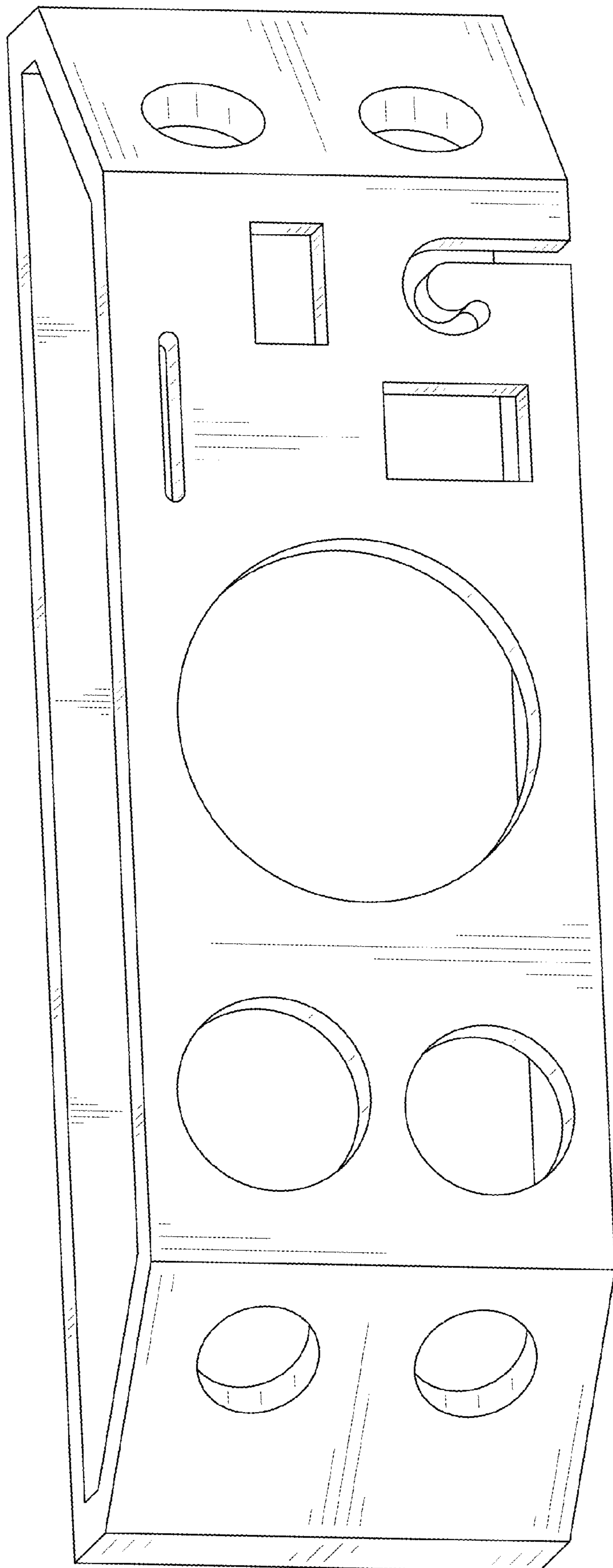


FIG. 1

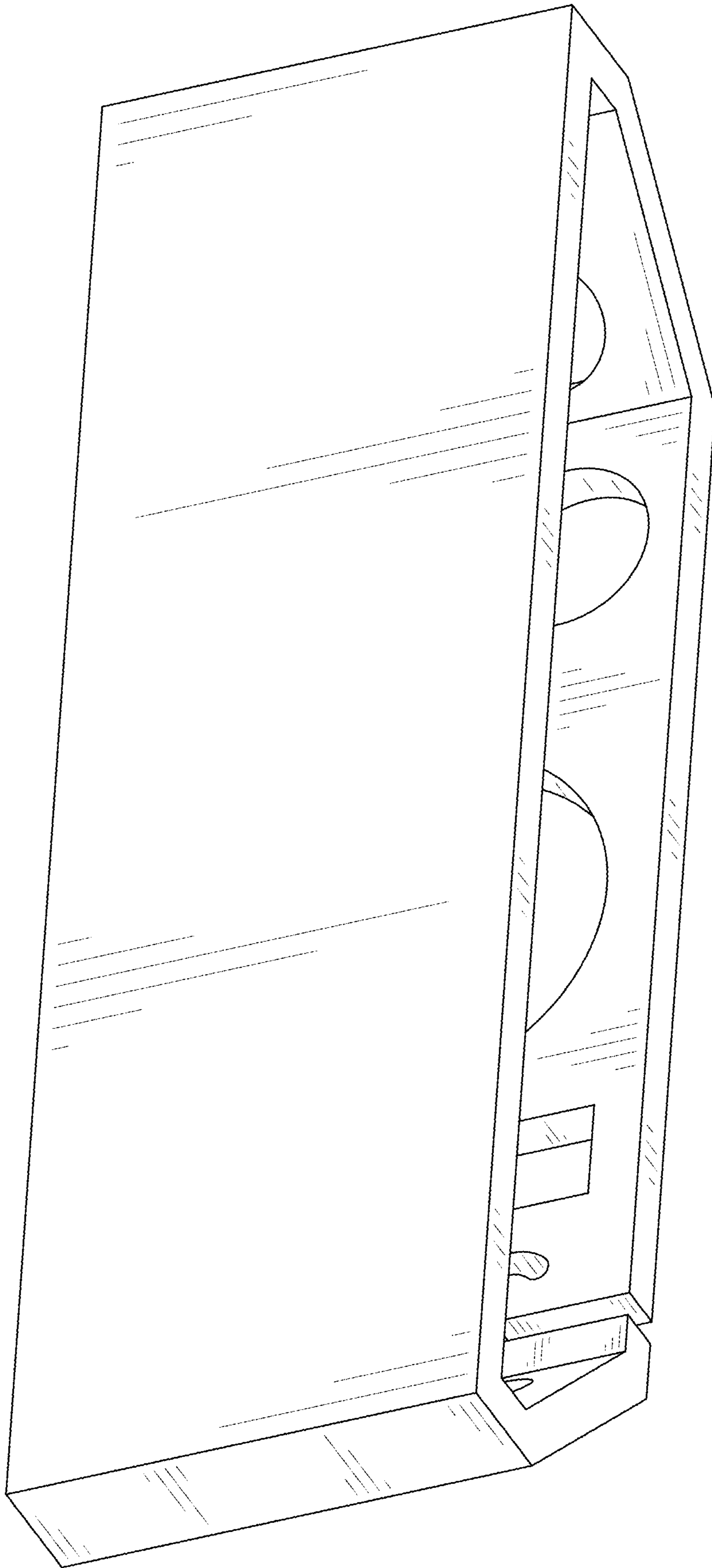


FIG. 2

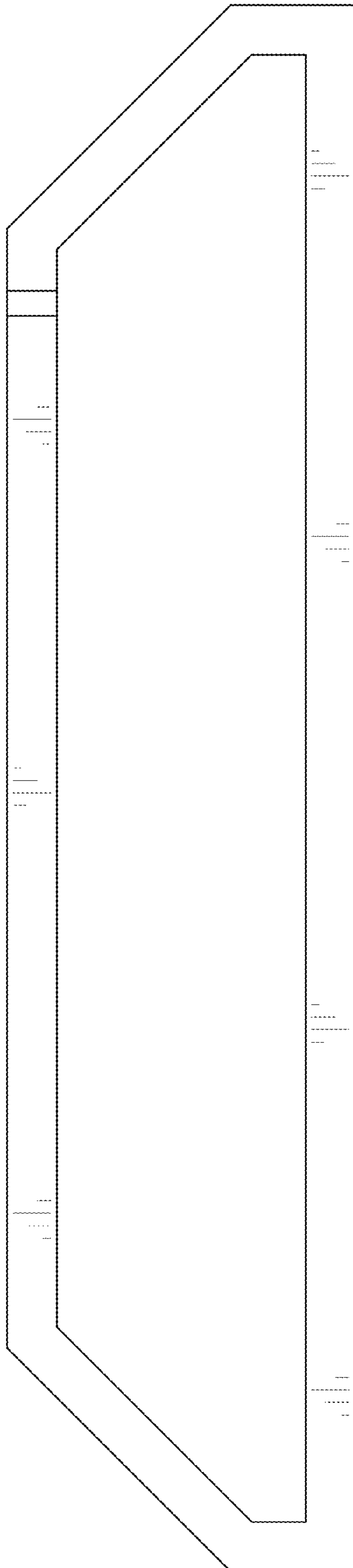


FIG. 3

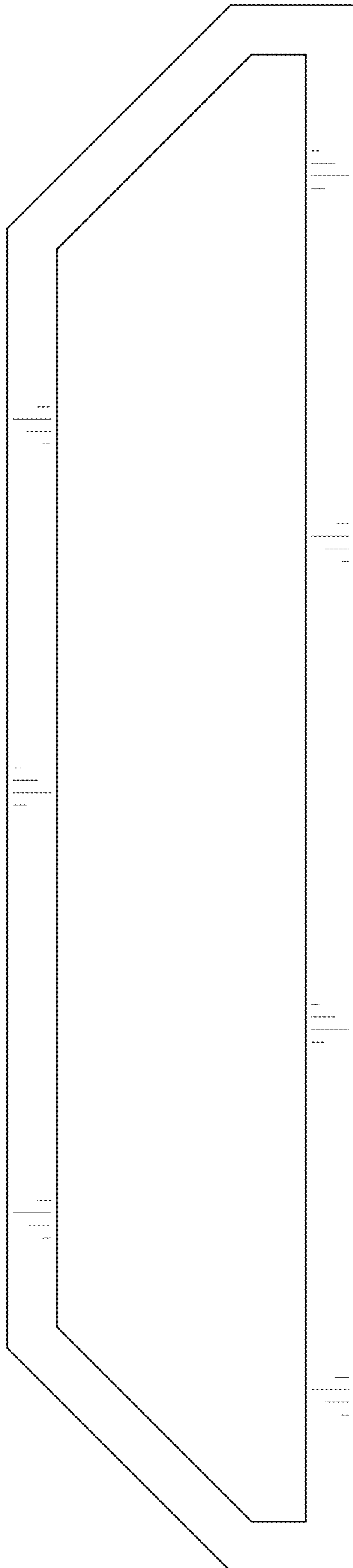


FIG. 4

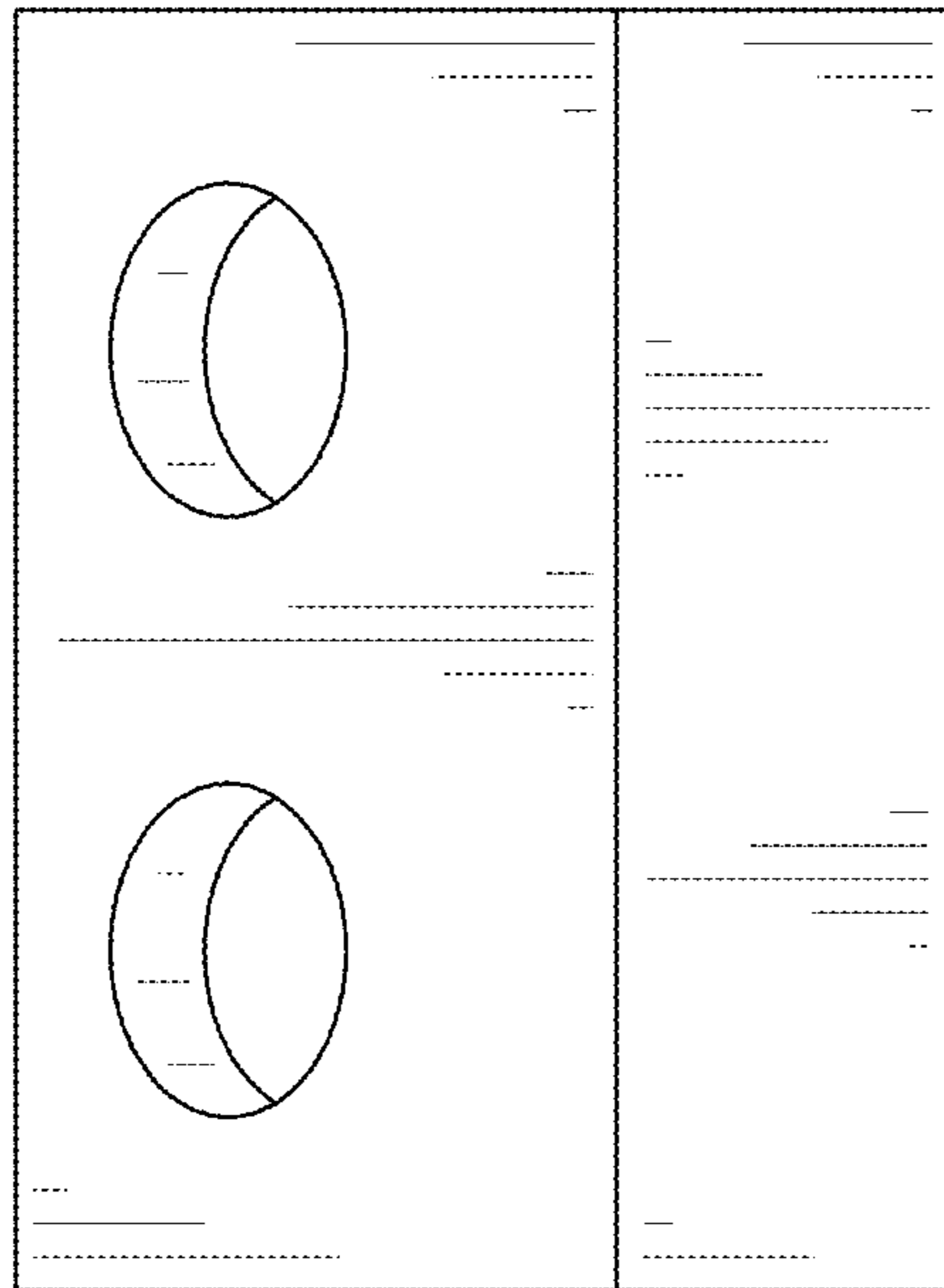


FIG. 5

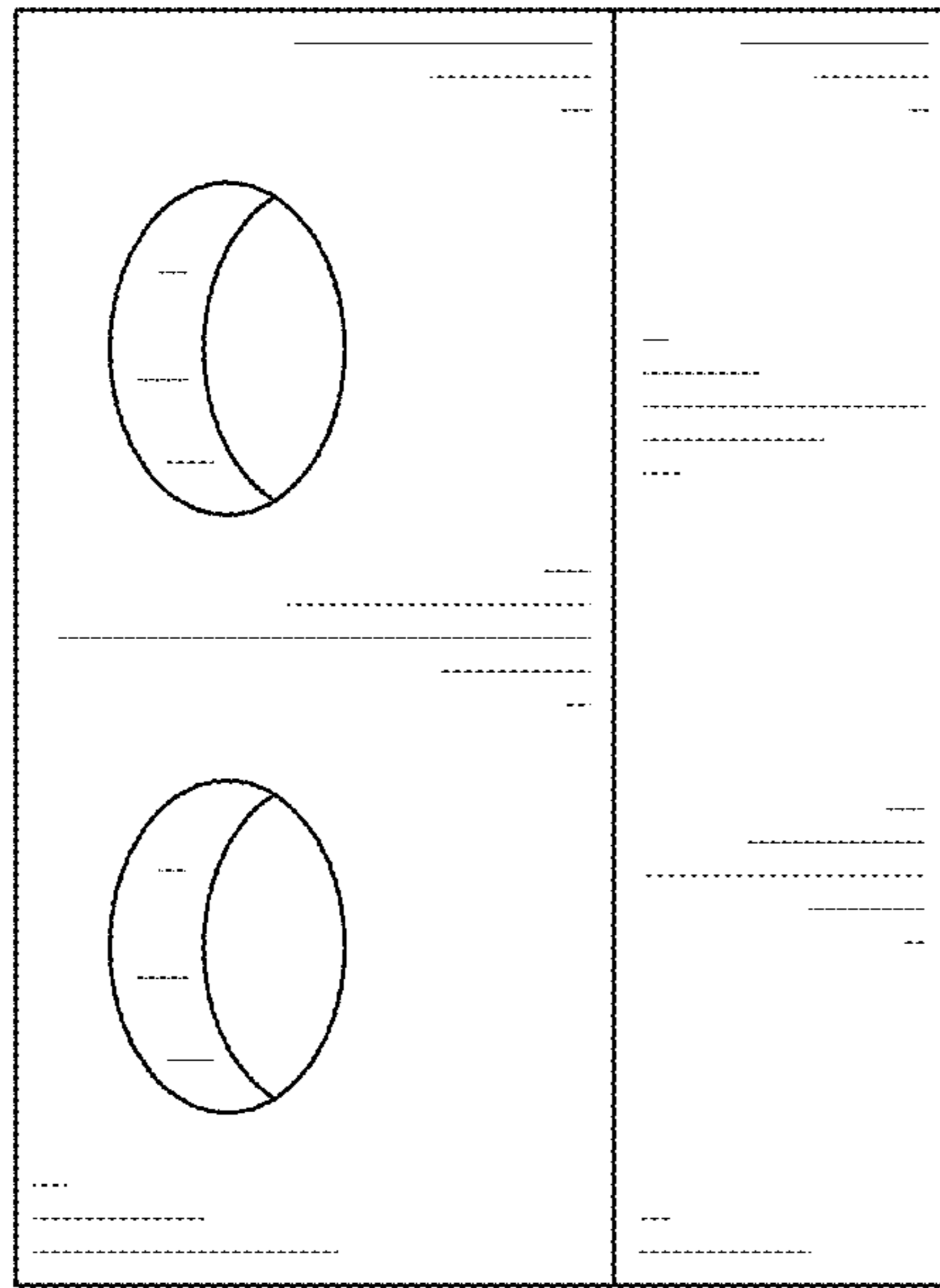


FIG. 6

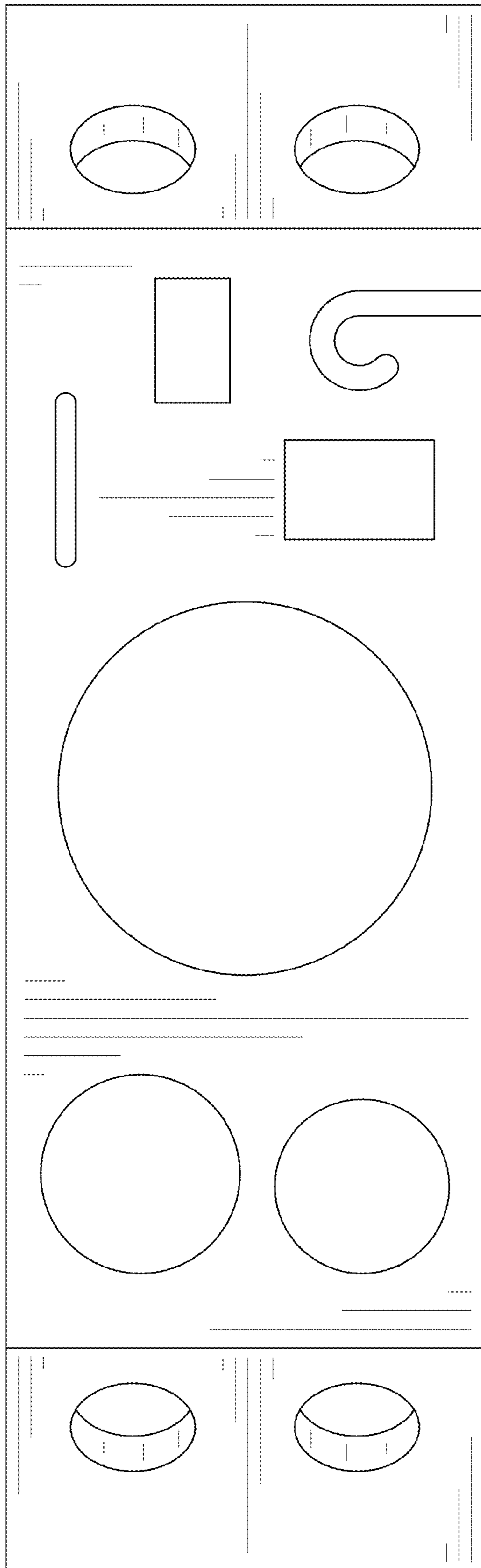


FIG. 7

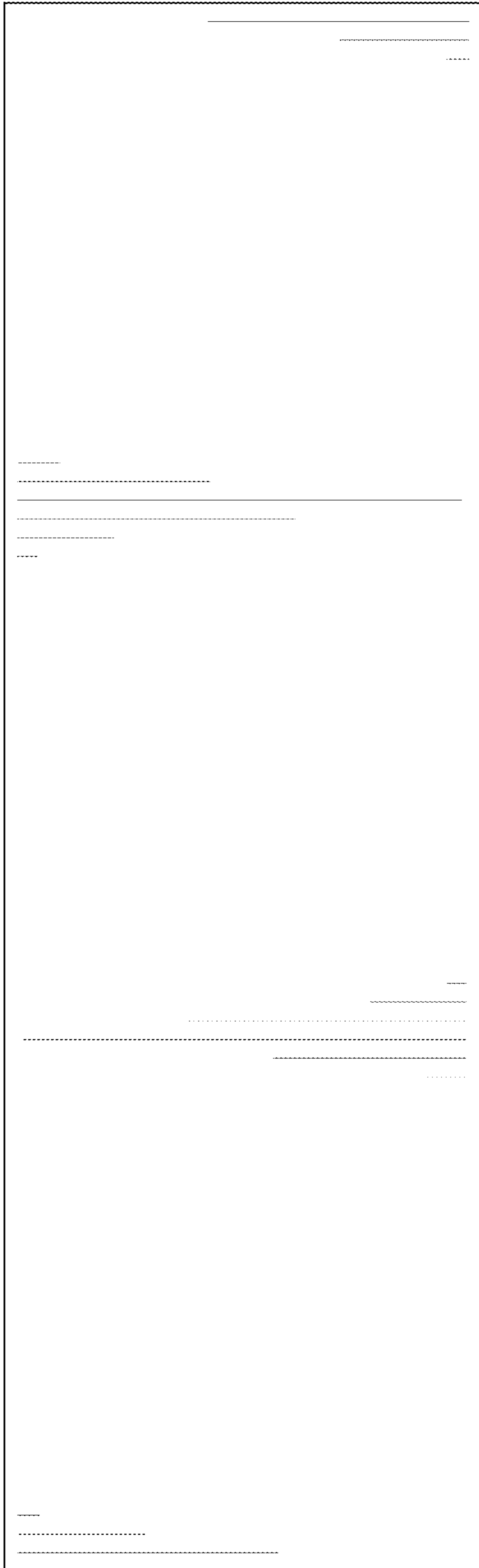


FIG. 8