



US00D924636S

(12) **United States Design Patent** (10) **Patent No.:** **US D924,636 S**
Earle et al. (45) **Date of Patent:** **** Jul. 13, 2021**

(54) **CONTAINER**
(71) Applicant: **Propeller, Inc.**, Hoboken, NJ (US)
(72) Inventors: **John Earle**, Shady Side, MD (US);
YaLun Lee, Jersey City, NJ (US);
Jason May, Brooklyn, NY (US); **Yos Kumthampinij**, Tenafly, NJ (US);
Kenneth Zorovich, Hoboken, NJ (US)

(73) Assignee: **PROPELLER, INC.**, Hoboken, NJ (US)

(**) Term: **15 Years**

(21) Appl. No.: **29/725,373**

(22) Filed: **Feb. 25, 2020**

(51) **LOC (13) Cl.** **07-03**

(52) **U.S. Cl.**
USPC **D7/642; D7/401.2; D7/643; D7/645; D7/653**

(58) **Field of Classification Search**
USPC D4/120, 122, 137; D7/359, 368, 401.2, D7/642-645, 653-664, 669, 675-677, D7/683, 686, 688-689, 691; D8/107, D8/300-301; D22/117-118
CPC ... A01D 9/02; A01D 9/04; A01D 9/06; A47G 21/00; A47G 21/004; A47G 21/005; A47G 21/02; A47G 21/023; A47G 21/04; A47G 21/06; A47G 21/08; A47J 43/28; A47J 43/281; A47J 43/282; A61F 13/10; A61J 7/0023; B25G 1/00; B25G 1/01; B25G 1/02; B25G 3/00; B65D 75/56; B65D 75/563; B65D 75/566; B67B 7/00; B67B 7/724; B67B 7/73
See application file for complete search history.

(56) **References Cited**

U.S. PATENT DOCUMENTS

2,439,882 A * 4/1948 Beddow A47G 21/06 30/147
D347,975 S * 6/1994 Zeller D7/642

D654,760 S * 2/2012 Hernandez D7/359
D675,487 S * 2/2013 Gross D7/686
D716,108 S * 10/2014 Hoyord D7/669
D756,126 S * 5/2016 Makiuchi D4/122
D782,254 S * 3/2017 Joseph D7/645
D845,003 S * 4/2019 Khubani D4/137
D845,004 S * 4/2019 Khubani D4/137
D858,998 S * 9/2019 Zhang D4/122
D890,530 S * 7/2020 Quan D4/120

* cited by examiner

Primary Examiner — Ricky Pham

(74) *Attorney, Agent, or Firm* — Greenberg Traurig, LLP

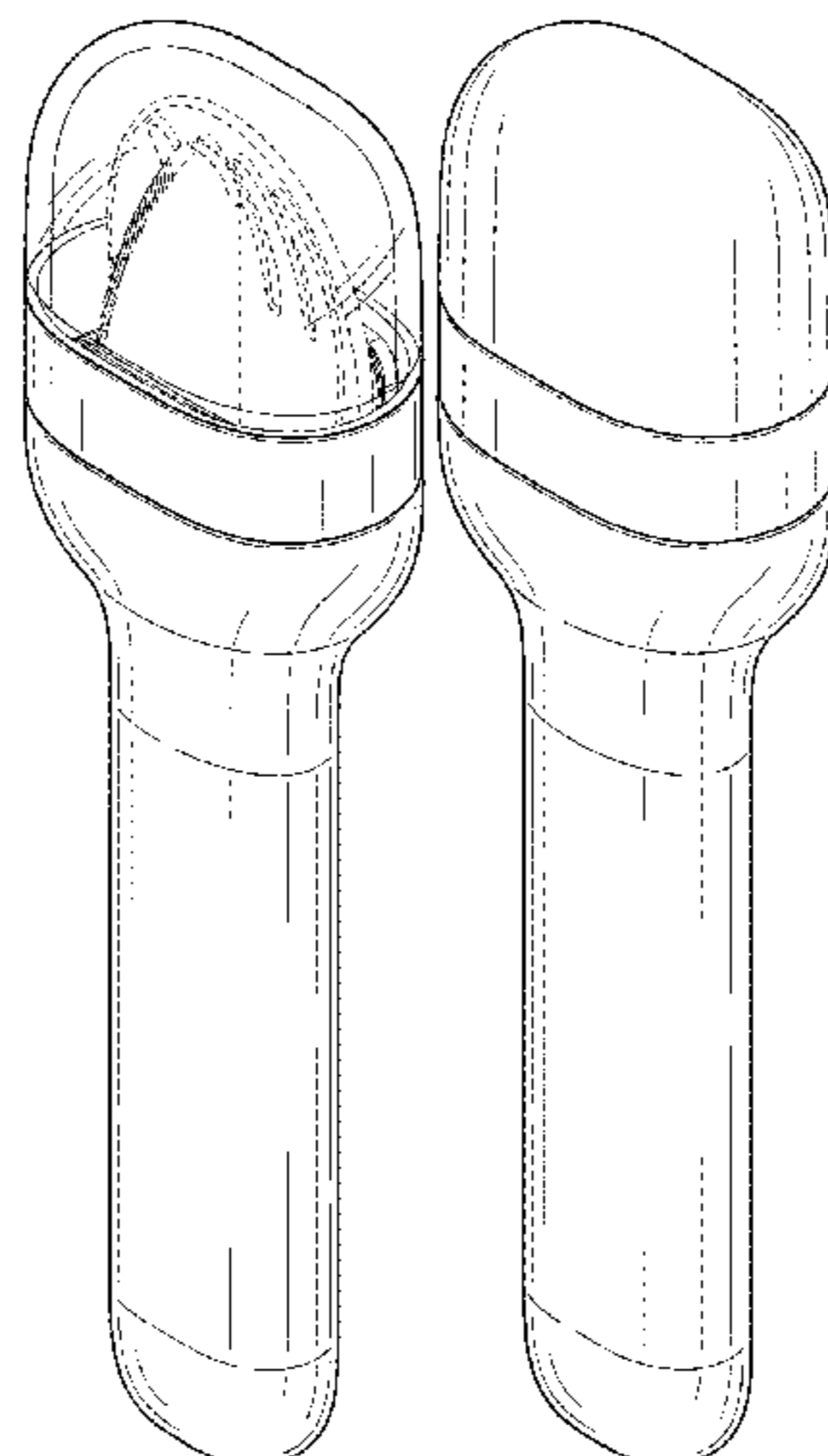
(57) **CLAIM**

The ornamental design for a container, as shown and described.

DESCRIPTION

FIG. 1 is a perspective view of an embodiment of a container, with certain elements thereof shown in phantom and forming no part of the claimed design;
FIG. 2 is a front elevational thereof;
FIG. 3 is a rear elevational view thereof;
FIG. 4 is a left side elevational view thereof;
FIG. 5 is a right side elevational view thereof;
FIG. 6 is a top plan view thereof;
FIG. 7 is a bottom plan view thereof;
FIG. 8 is a perspective view of another embodiment of a container;
FIG. 9 is a front elevational thereof;
FIG. 10 is a rear elevational view thereof;
FIG. 11 is a left side elevational view thereof;
FIG. 12 is a right side elevational view thereof;
FIG. 13 is a top plan view thereof; and,
FIG. 14 is a bottom plan view thereof.

1 Claim, 8 Drawing Sheets



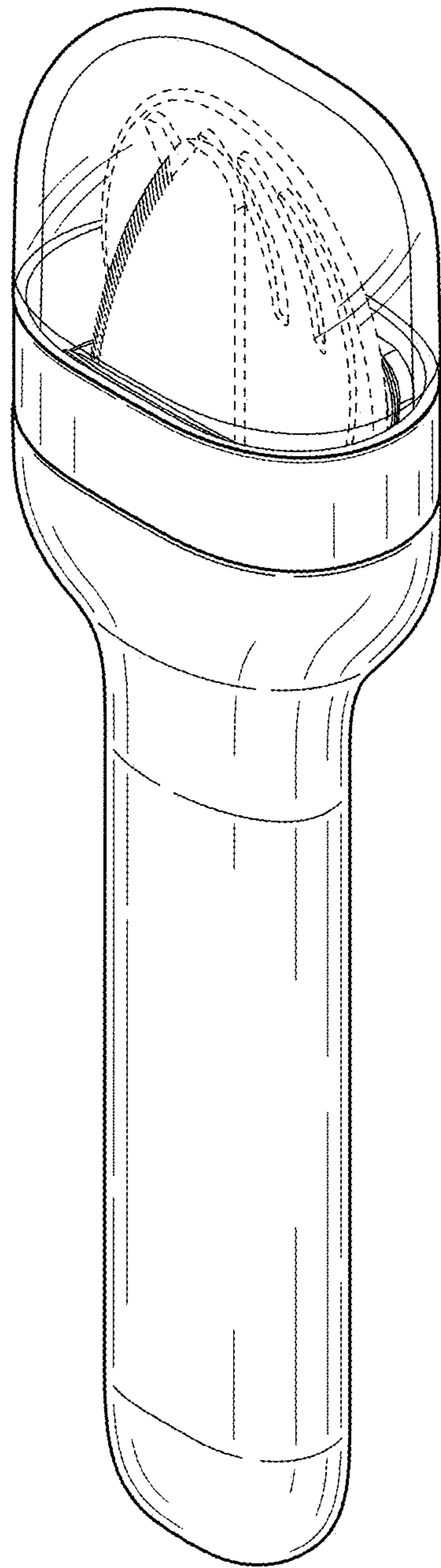


FIG. 1

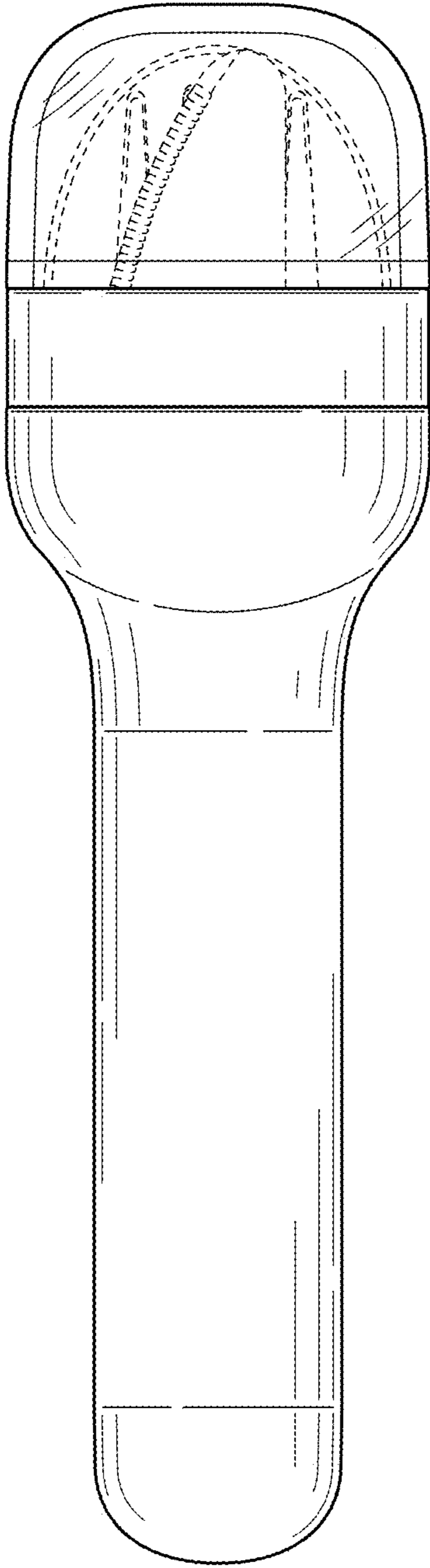


FIG. 2

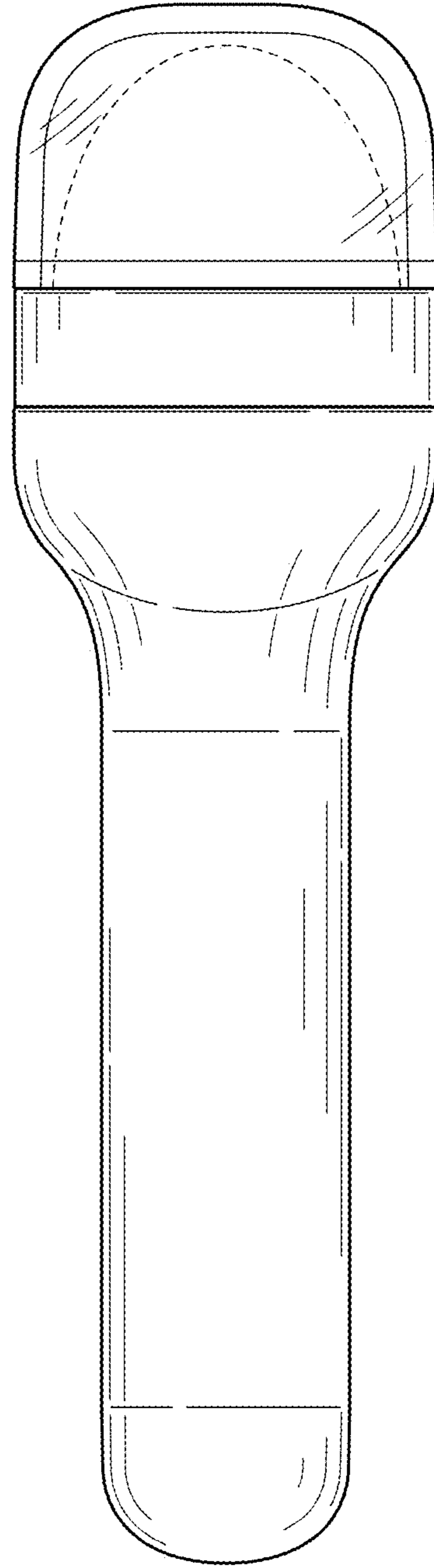


FIG. 3

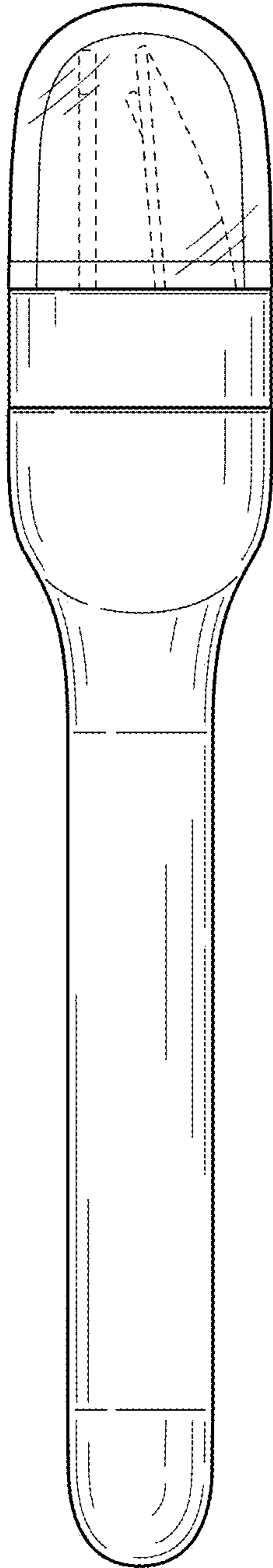


FIG. 4

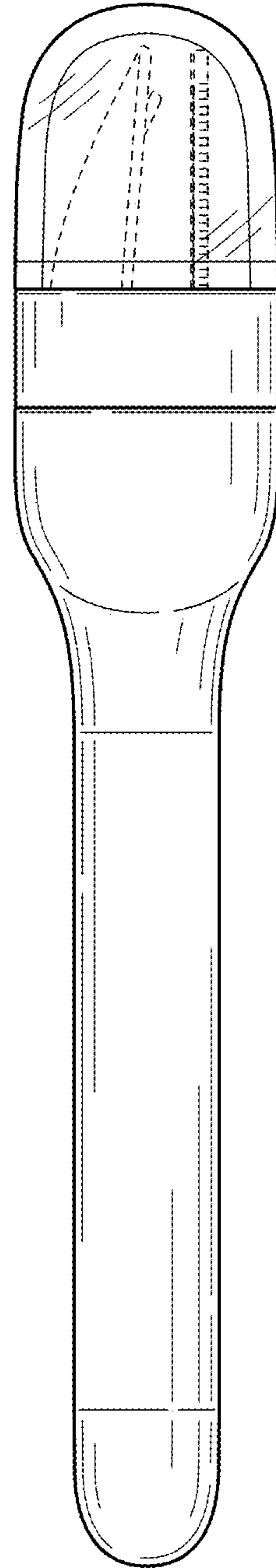


FIG. 5

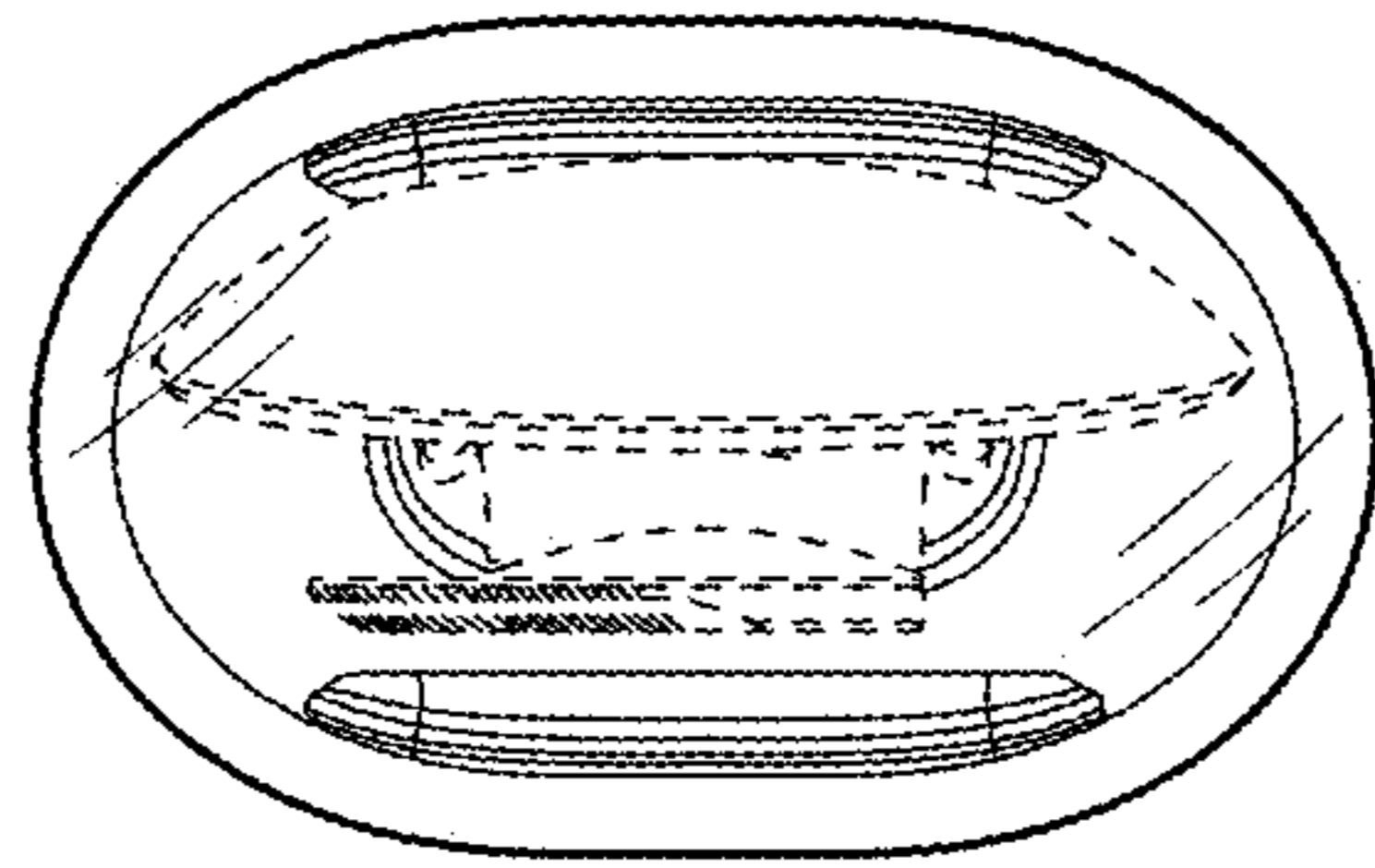


FIG. 6

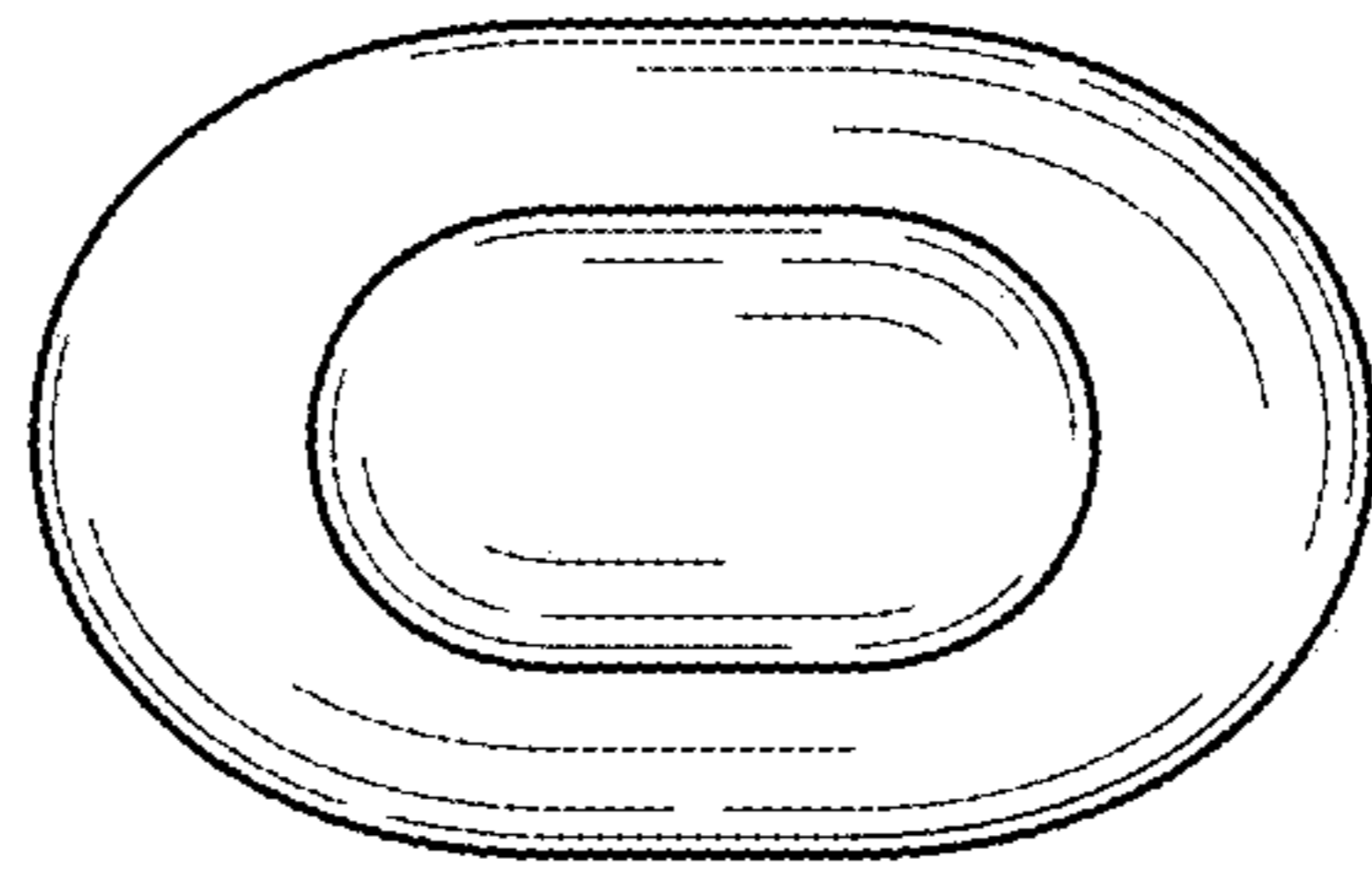


FIG. 7

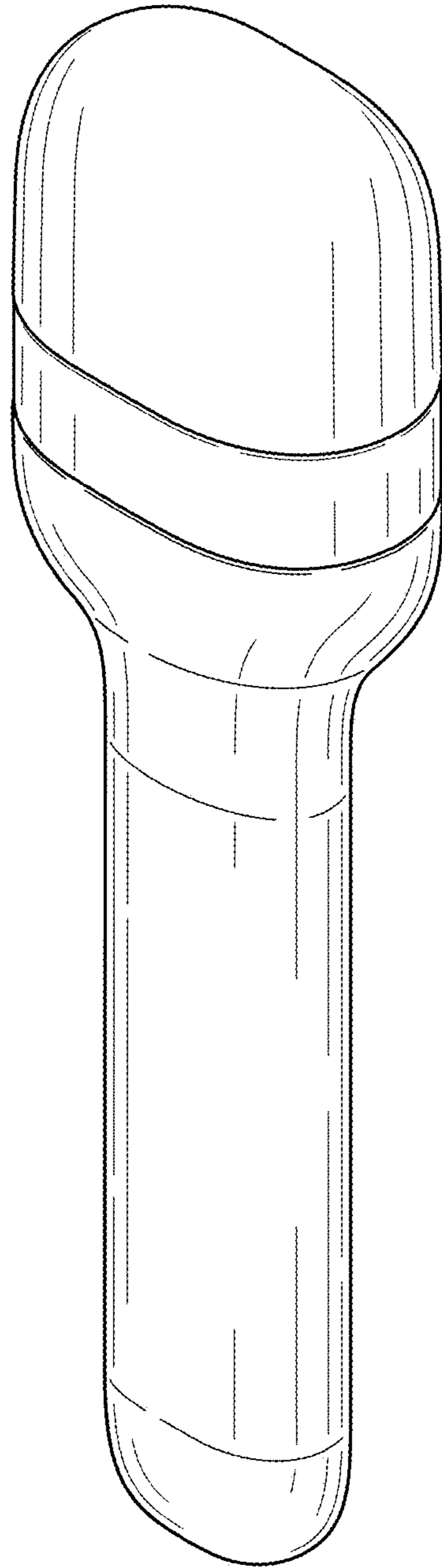


FIG. 8

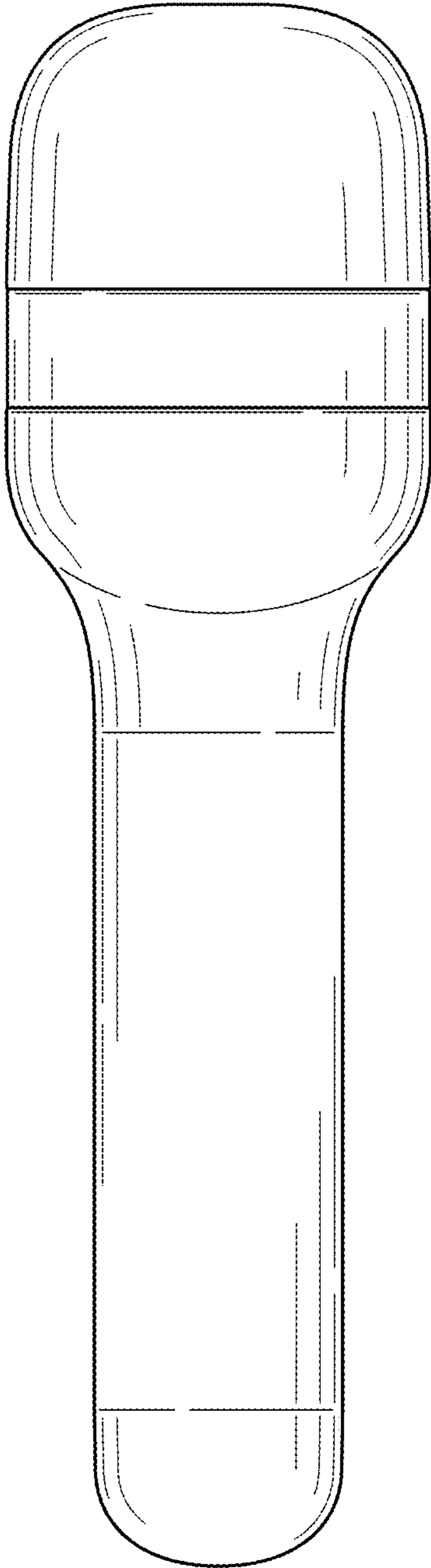


FIG. 9

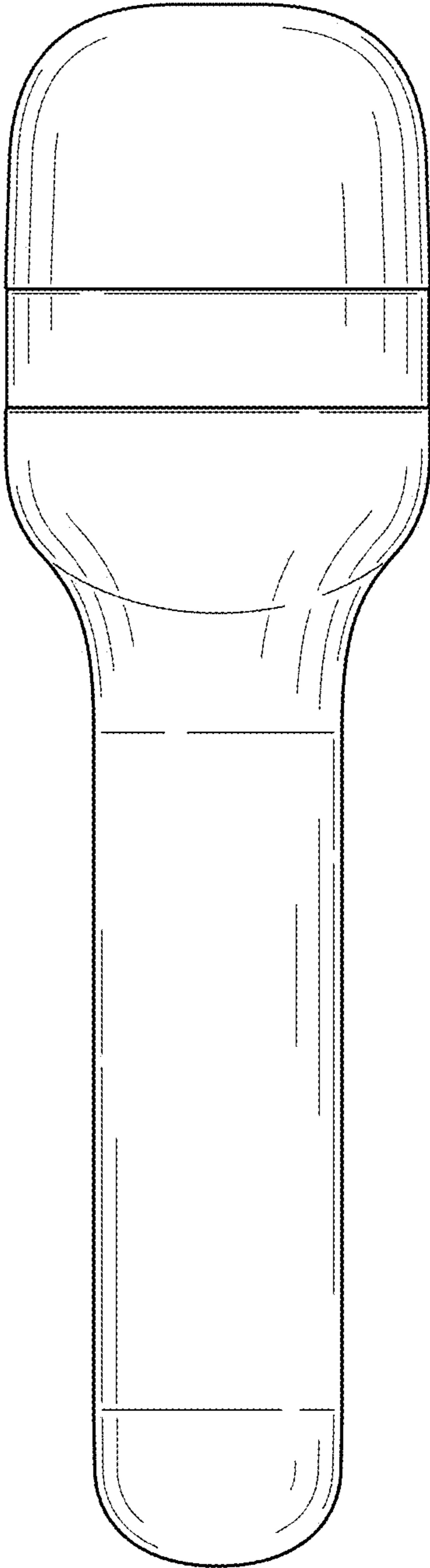


FIG. 10

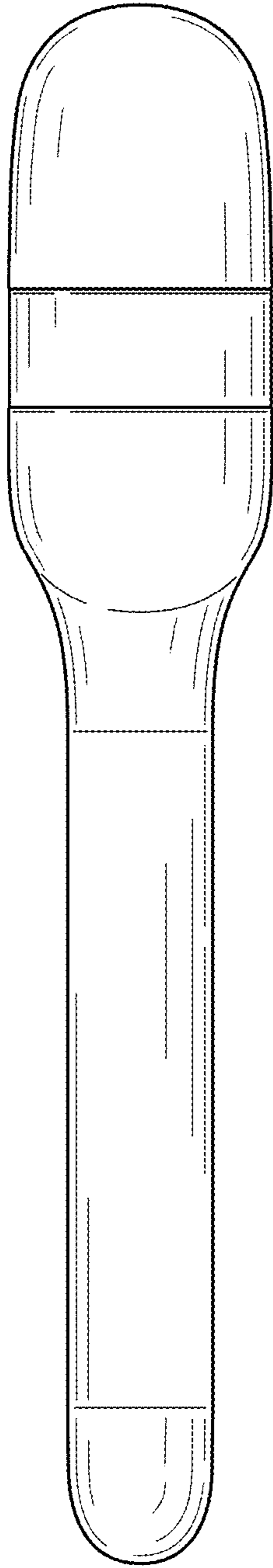


FIG. 11

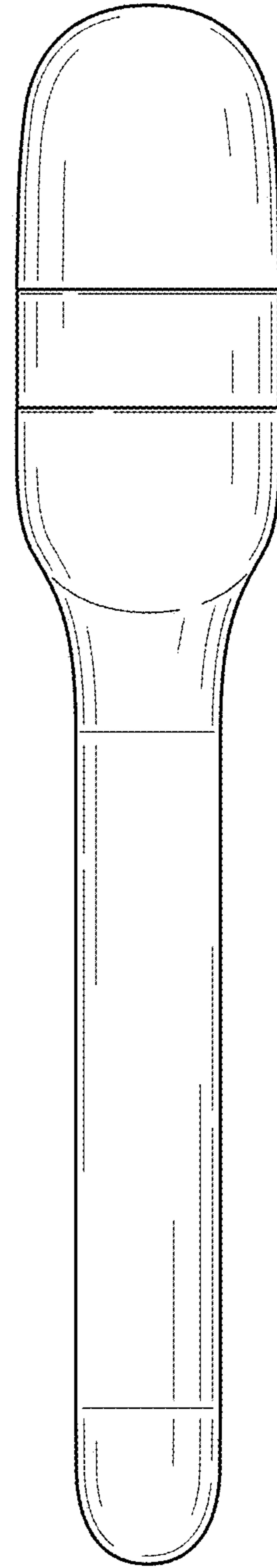


FIG. 12

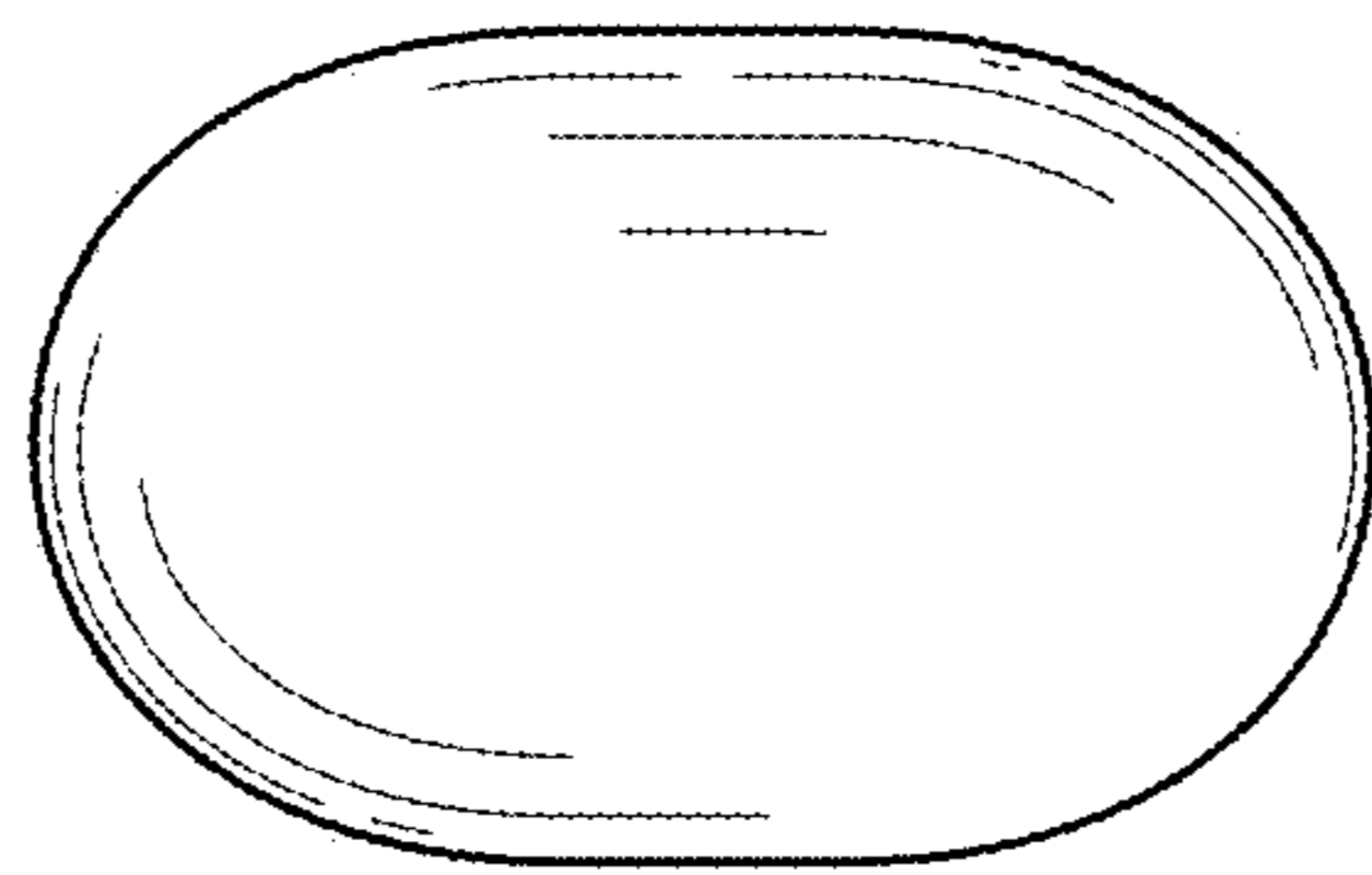


FIG. 13

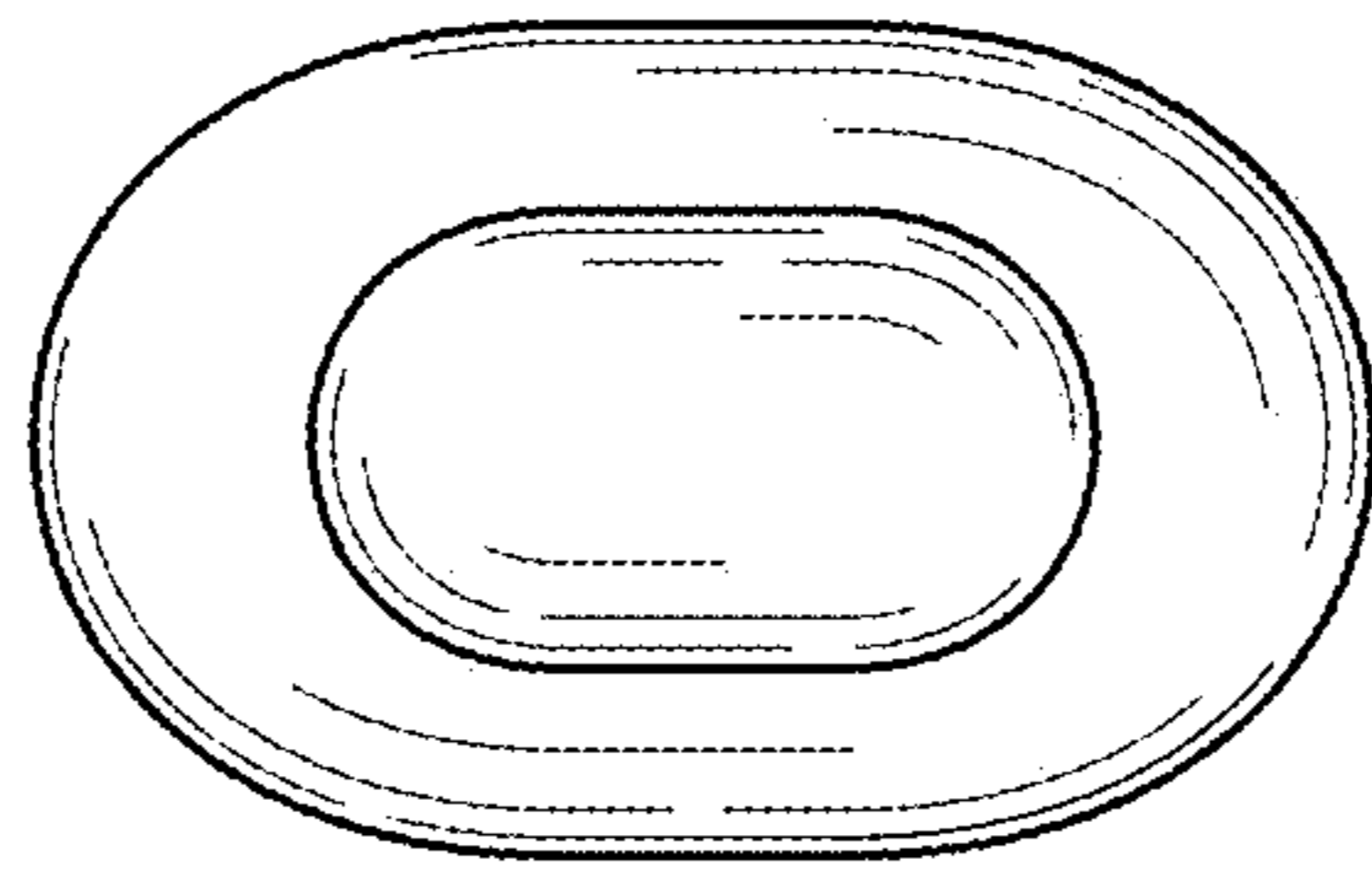


FIG. 14