



US00D924635S

(12) **United States Design Patent** (10) **Patent No.:** **US D924,635 S**  
**Tsai** (45) **Date of Patent:** **\*\* Jul. 13, 2021**

- (54) **SPICE RACK** 8,573,416 B2 \* 11/2013 Didehvar ..... A47K 3/281  
 211/119.009  
 (71) Applicant: **Tsung-Yu Tsai**, Changhua (TW) D713,146 S \* 9/2014 Ghiorghie ..... D3/304  
 D739,681 S \* 9/2015 Bee ..... D7/600.4  
 (72) Inventor: **Tsung-Yu Tsai**, Changhua (TW) D753,939 S \* 4/2016 Tsai ..... D6/678.4  
 D760,033 S \* 6/2016 Khaitan ..... D7/600.4  
 D785,979 S \* 5/2017 Snider ..... D6/675.1  
 (\*\*) Term: **15 Years** 9,693,660 B1 \* 7/2017 Stelmarski ..... A47K 3/281  
 2005/0006541 A1 \* 1/2005 Magnusson ..... A47B 96/1416  
 248/235  
 (21) Appl. No.: **29/741,599** 2016/0091118 A1 \* 3/2016 Alexander ..... E03C 1/06  
 248/56  
 (22) Filed: **Jul. 14, 2020**

**Related U.S. Application Data**

- (63) Continuation of application No. 29/705,499, filed on Sep. 12, 2019.  
 (51) **LOC (13) Cl.** ..... **06-04**  
 (52) **U.S. Cl.**  
 USPC ..... **D7/600.4; D7/704**  
 (58) **Field of Classification Search**  
 USPC ..... D7/600.1-600.4, 704; D3/304, 306, 313;  
 D6/512, 514, 553, 566, 567, 569, 574,  
 D6/675.1, 675.2, 675.3, 675.5  
 CPC ..... A47J 47/16; A47B 73/00; A47B 73/002;  
 A47B 47/00; A47B 47/0091; A47B  
 81/00; A47F 7/00; A47F 7/28; A47F  
 5/10; A47F 5/01; A47F 5/13; A47F 5/00;  
 A47F 5/0056  
 See application file for complete search history.

(56) **References Cited**

**U.S. PATENT DOCUMENTS**

- D437,354 S \* 2/2001 Andujar ..... D19/75  
 D450,481 S \* 11/2001 Post ..... D6/675.2  
 D463,697 S \* 10/2002 Klein ..... D6/514

\* cited by examiner

*Primary Examiner* — Terry A Wallace

(74) *Attorney, Agent, or Firm* — Muncy, Geissler, Olds & Lowe, P.C.

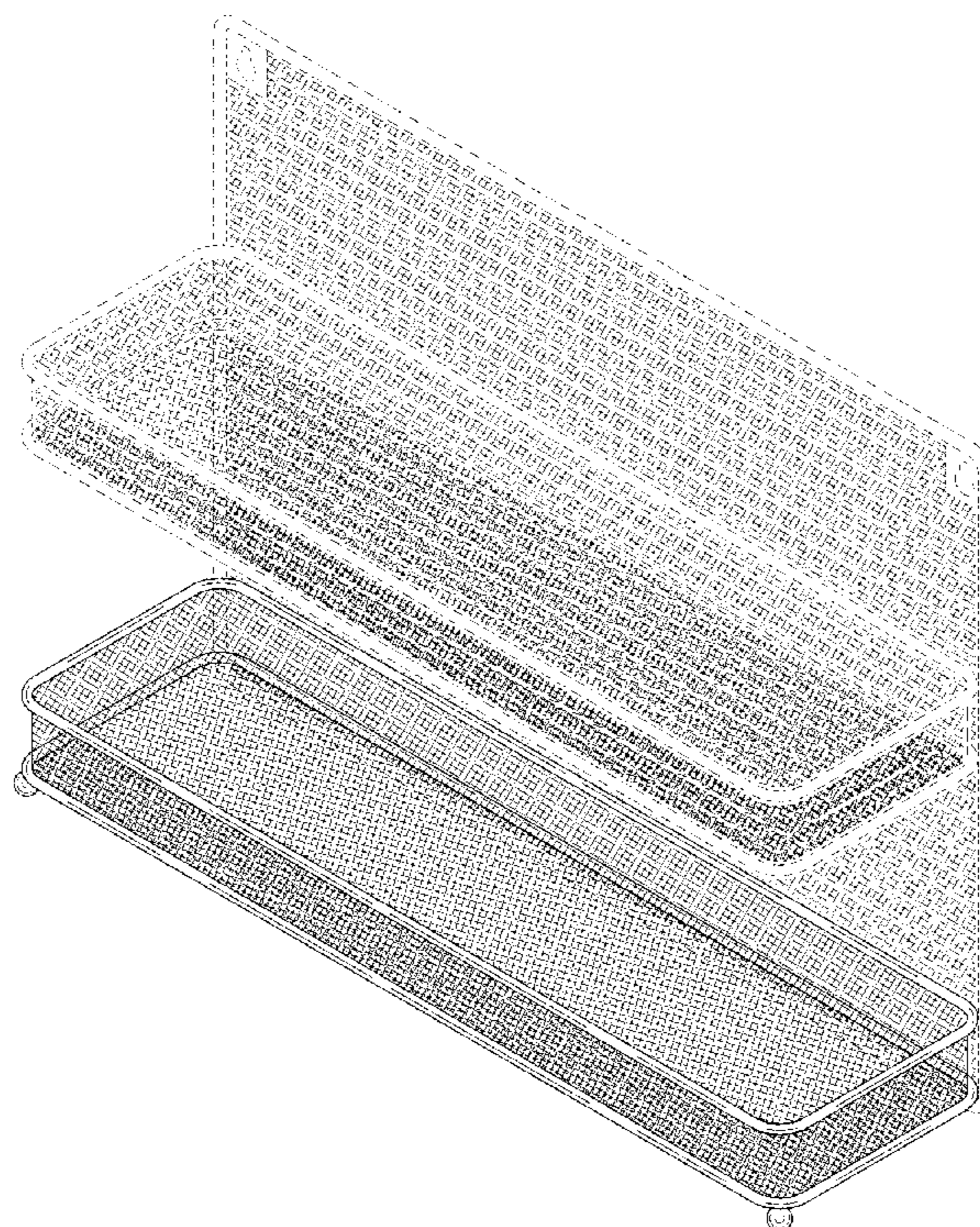
(57) **CLAIM**

The ornamental design for a spice rack, as shown and described.

**DESCRIPTION**

FIG. 1 is a top front perspective view of a spice rack, showing the new design;  
 FIG. 2 is a front elevational view thereof;  
 FIG. 3 is a rear elevational view thereof;  
 FIG. 4 is a left side elevational view thereof;  
 FIG. 5 is a right side elevational view thereof;  
 FIG. 6 is a top plan view thereof; and,  
 FIG. 7 is a bottom plan view thereof.  
 The broken lines in the figures show portions of the spice rack that form no part of the claimed design.

**1 Claim, 6 Drawing Sheets**



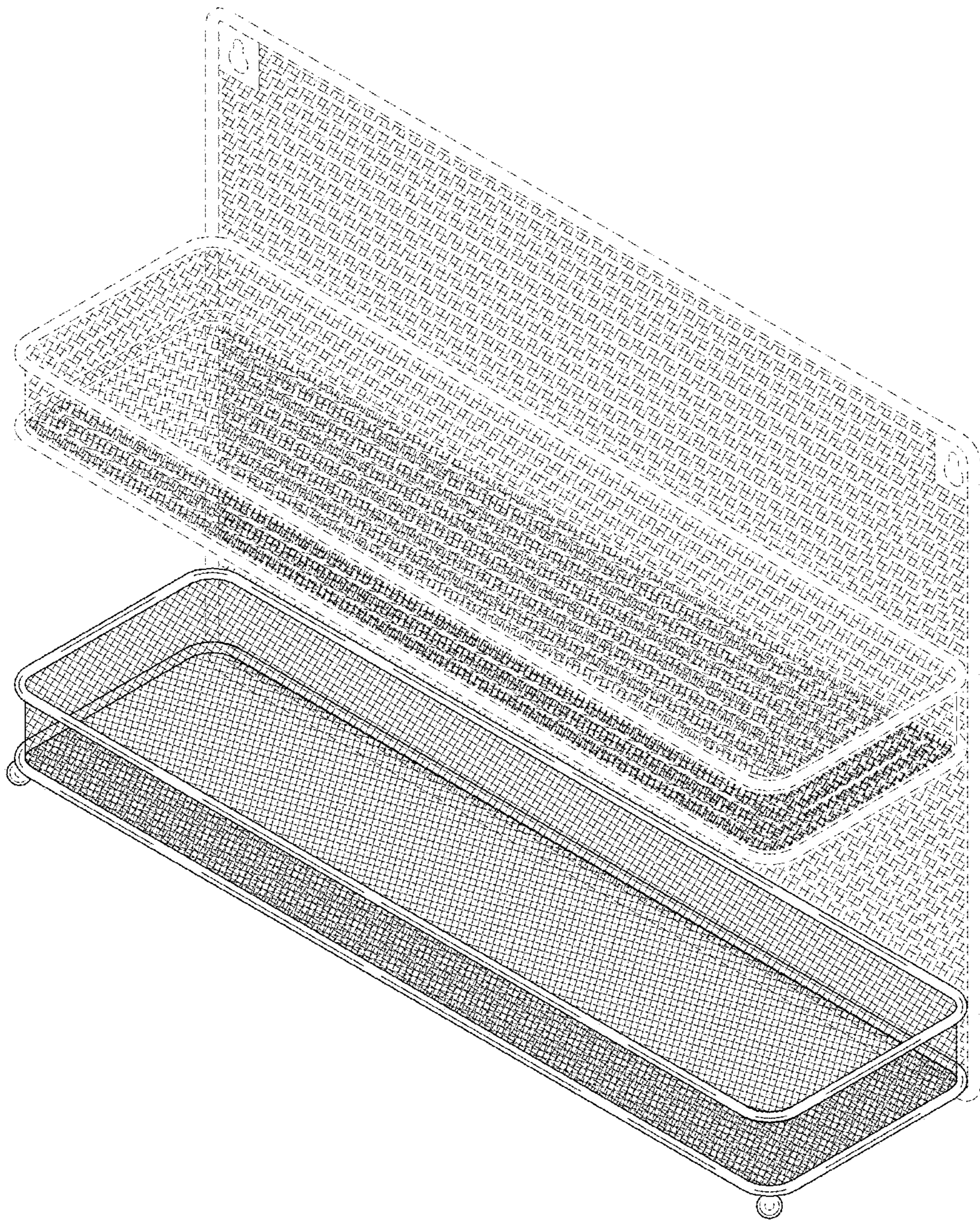


FIG. 1

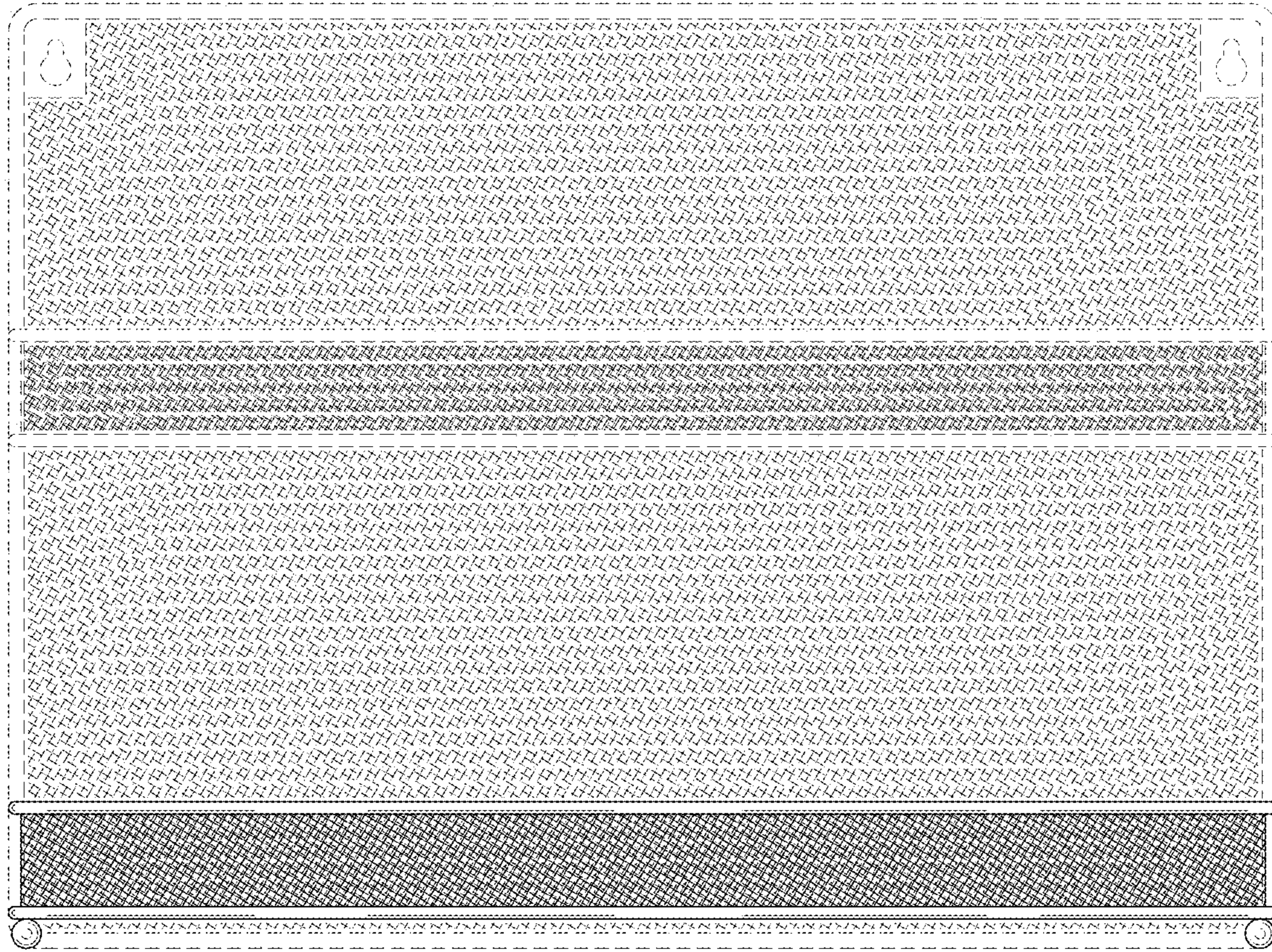


FIG. 2

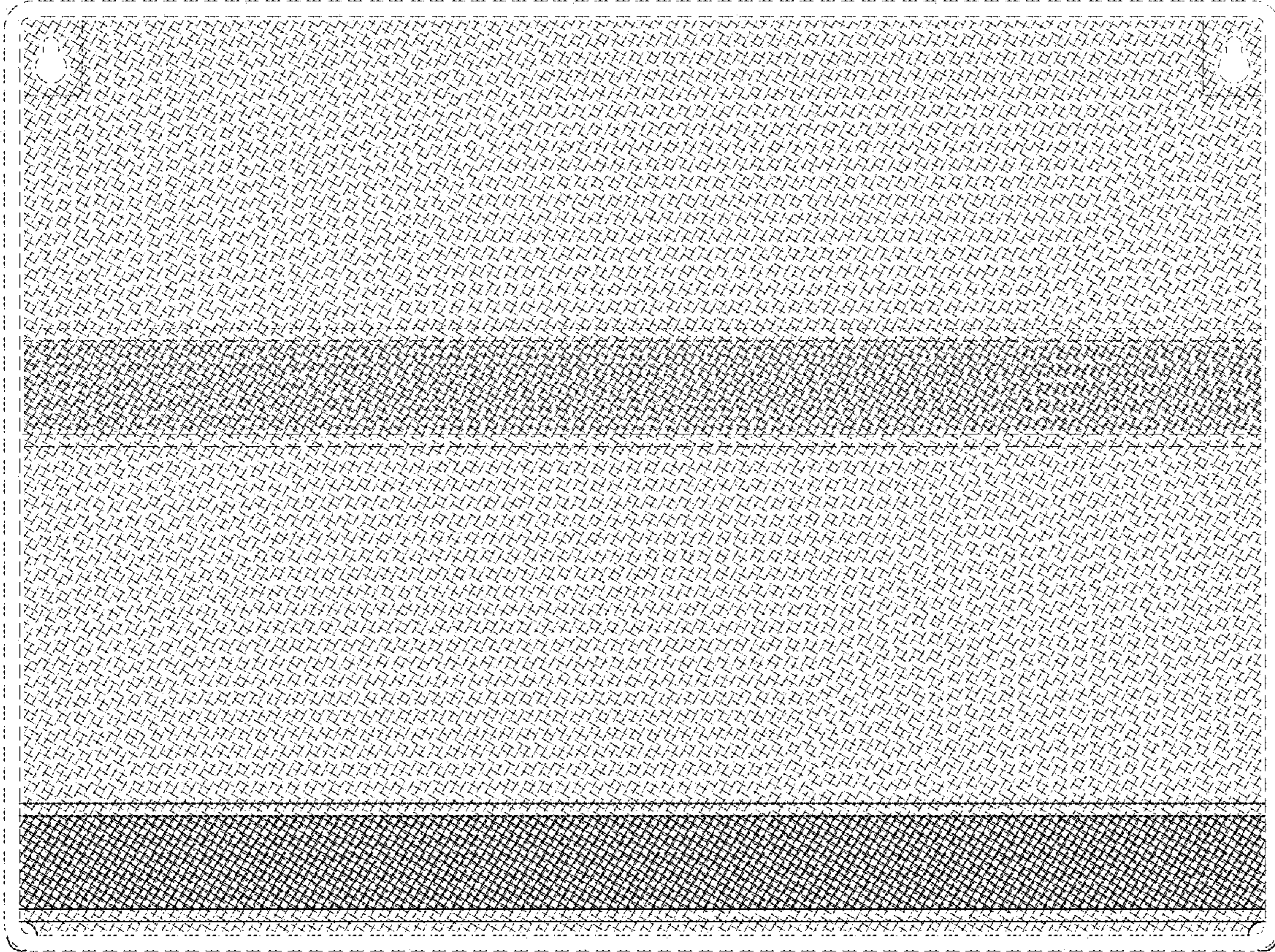


FIG. 3

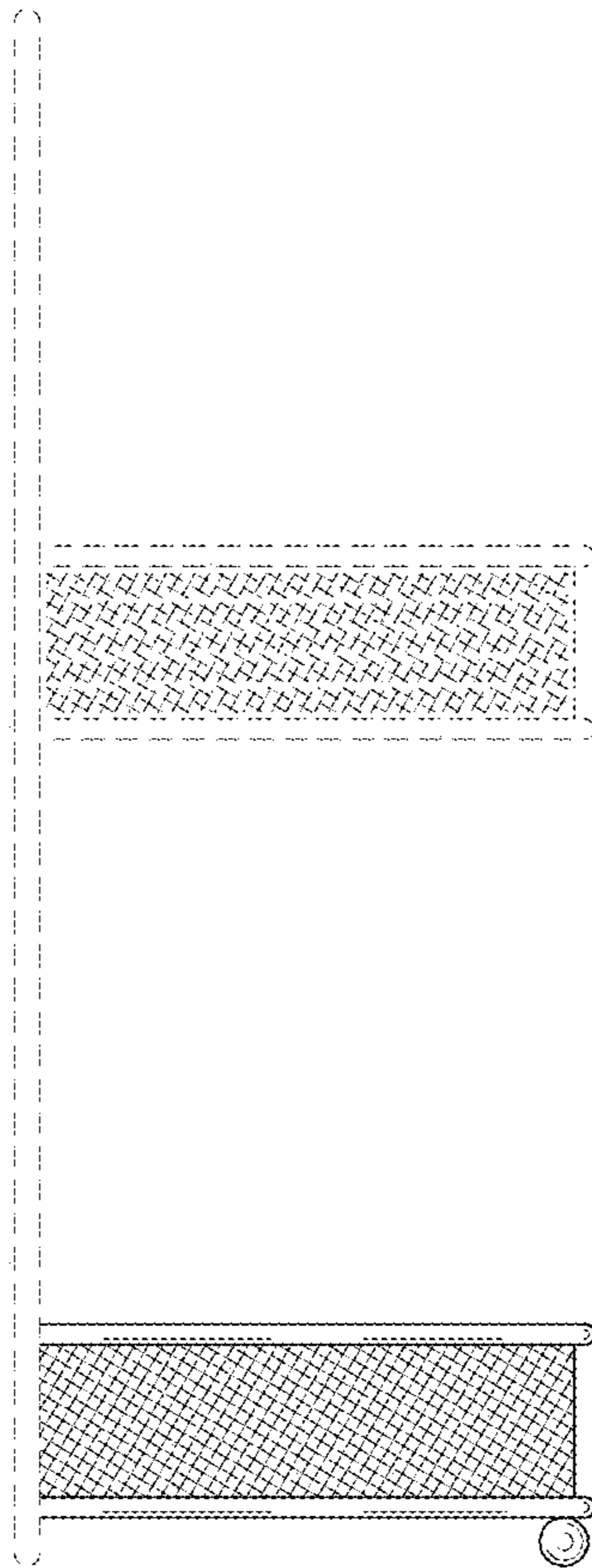


FIG. 4

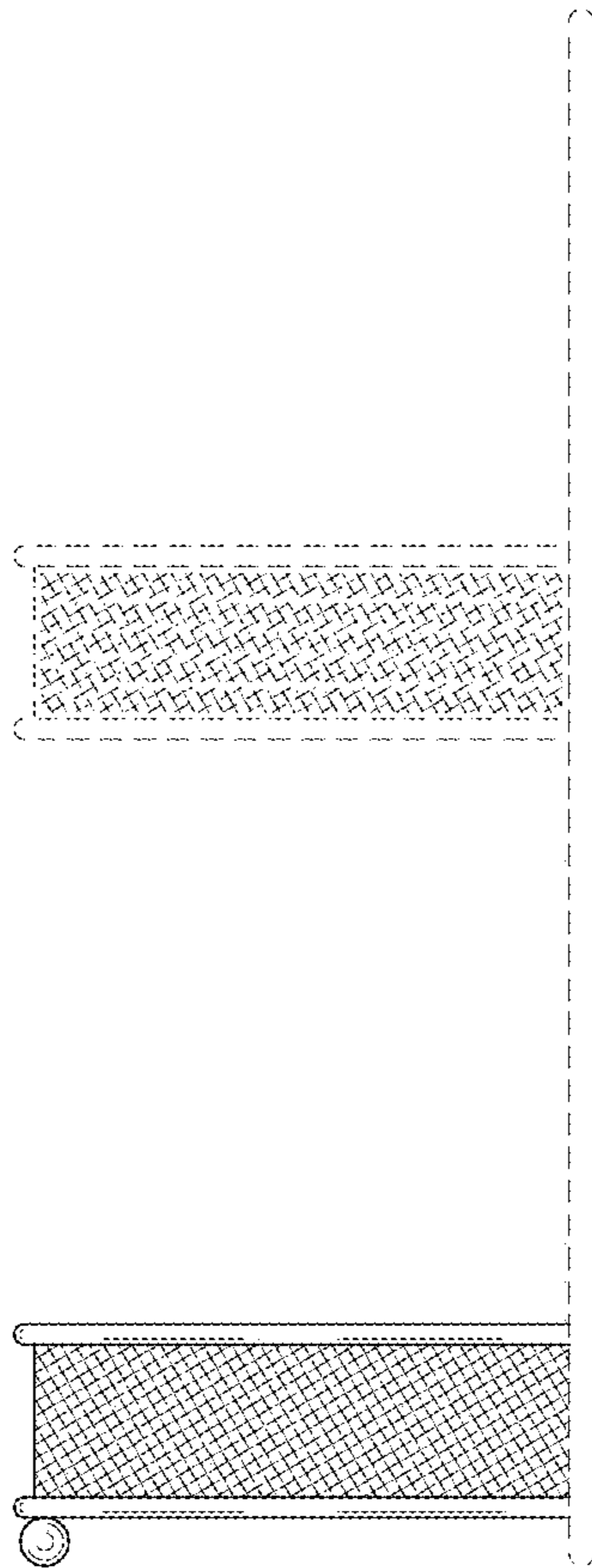


FIG. 5

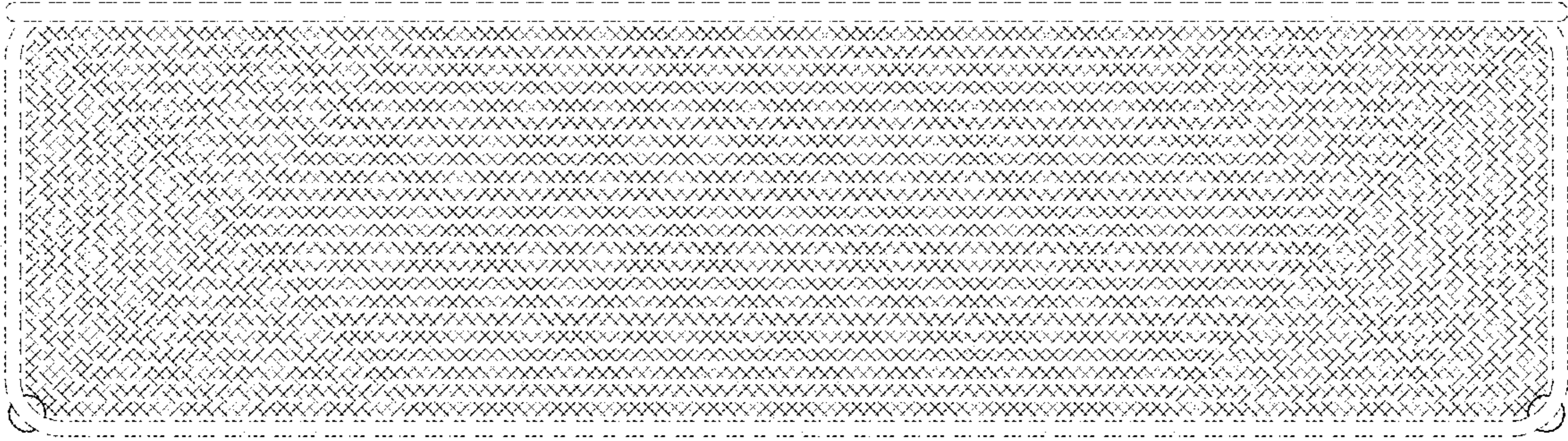


FIG. 6

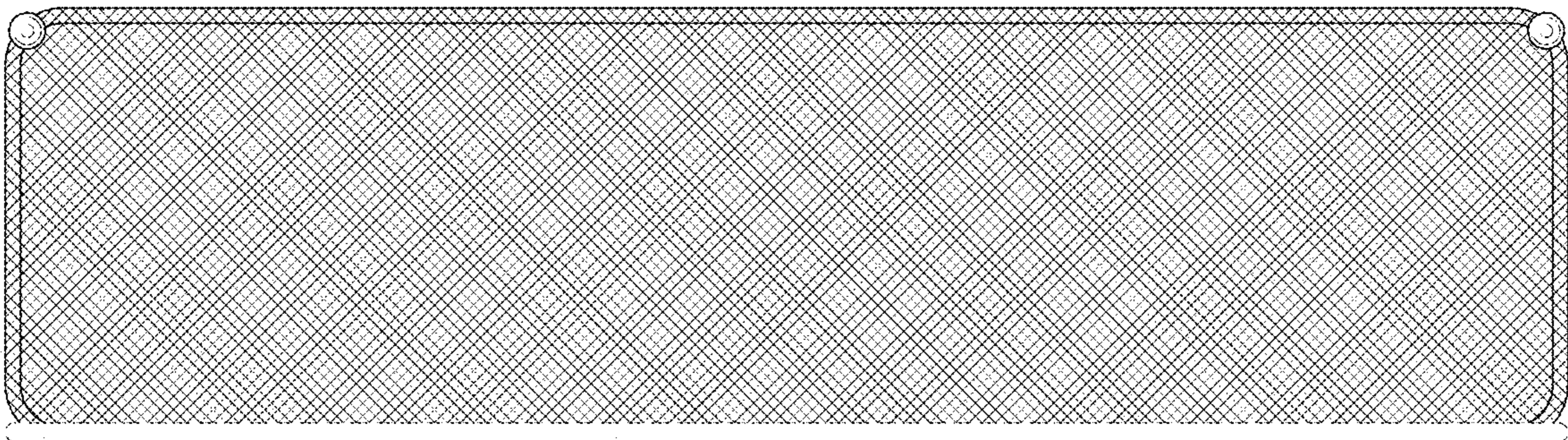


FIG. 7