



US00D924634S

(12) **United States Design Patent** (10) **Patent No.:** **US D924,634 S**  
**Tsai** (45) **Date of Patent:** **\*\* Jul. 13, 2021**

(54) **SPICE BOTTLE HOLDER**  
(71) Applicant: **Tsung-Yu Tsai**, Changhua (TW)  
(72) Inventor: **Tsung-Yu Tsai**, Changhua (TW)  
(\*\*) Term: **15 Years**  
(21) Appl. No.: **29/687,221**  
(22) Filed: **Apr. 11, 2019**  
(51) **LOC (13) Cl.** ..... **07-06**  
(52) **U.S. Cl.**  
USPC ..... **D7/600.1**  
(58) **Field of Classification Search**  
USPC ..... D6/553, 525, 534-535, 537, 546, 556,  
D6/566, 677.2, 567; D3/306, 215, 229;  
D7/593-596, 600.1-600.2, 602, 630-632,  
D7/635, 640, 704-705, 707, 620, 622;  
D9/455, 681, 738-739, 747, 751, 758;  
206/8, 202, 513, 146; 211/30, 106,  
211/106.01, 181.1, 74, 75; 119/477;  
215/370, 395; 220/751; 248/102;  
D8/354; D12/411; D24/128; D30/133;  
D32/54  
CPC .. A47F 5/01; A47F 5/02; A47F 7/0064; A47L  
19/04; F16M 11/00; A47K 3/281; A47K  
1/09; A47B 55/02; A47G 21/001  
See application file for complete search history.

D394,381 S \* 5/1998 Ziaylek, Jr. et al. .... D8/354  
D453,651 S \* 2/2002 Snell ..... D6/537  
D473,760 S \* 4/2003 Perez ..... D7/620  
D532,234 S \* 11/2006 Snell ..... D6/567  
D592,058 S \* 5/2009 Rapaport ..... D7/622  
D612,691 S \* 3/2010 Barnes, Jr. .... D7/620  
D668,496 S \* 10/2012 Ho ..... D6/553  
D675,049 S \* 1/2013 Goodman ..... D6/566  
D699,973 S \* 2/2014 Pan ..... D6/553  
D762,397 S \* 8/2016 Goodman ..... D6/566  
D766,617 S \* 9/2016 Hochman ..... D6/553  
D779,231 S \* 2/2017 Pan ..... D6/566  
D779,232 S \* 2/2017 Pan ..... D6/566  
D855,408 S \* 8/2019 Tsai ..... D7/600.1

\* cited by examiner

*Primary Examiner* — Mark Booker  
(74) *Attorney, Agent, or Firm* — Muncy, Geissler, Olds & Lowe, P.C.

(57) **CLAIM**

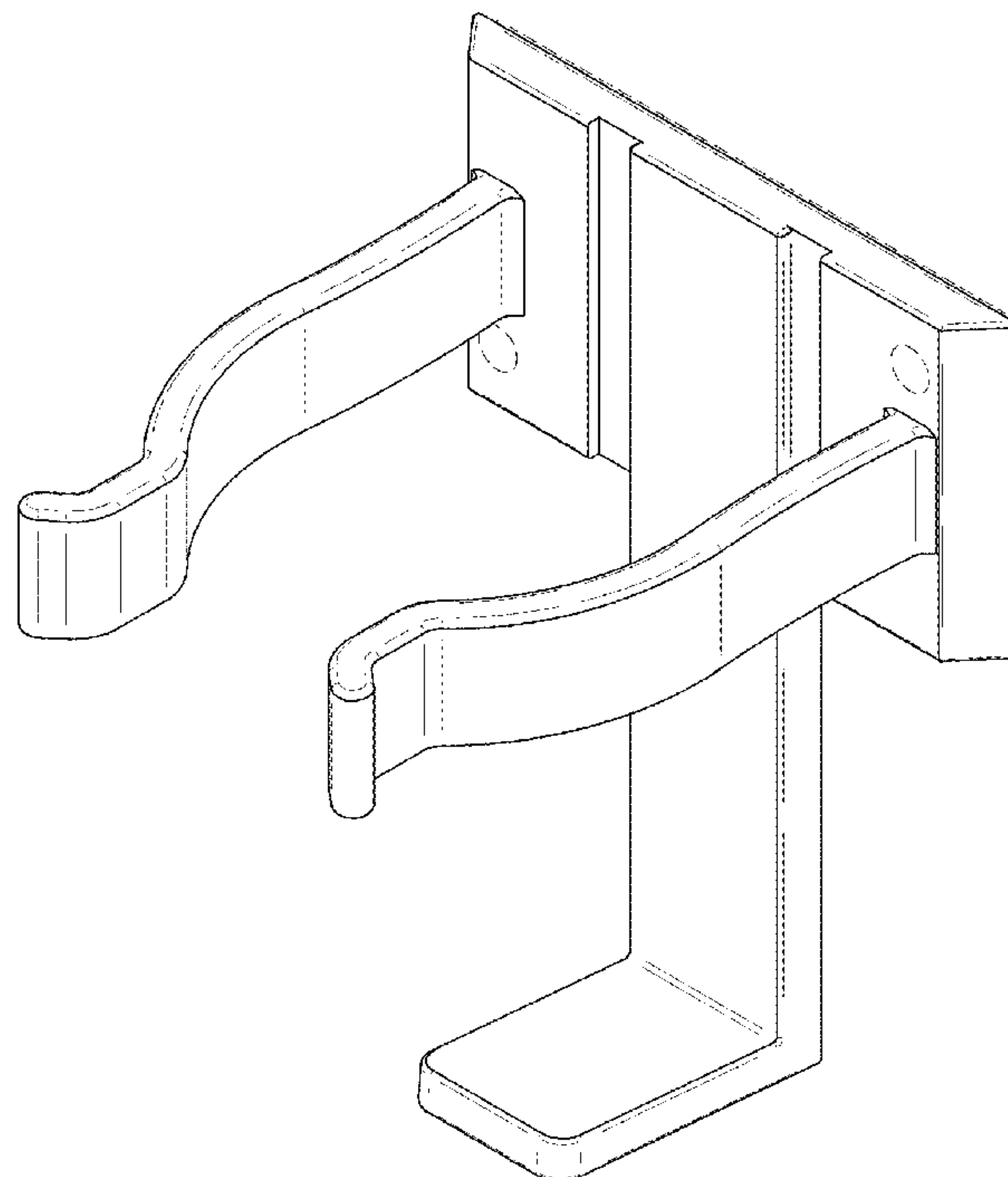
The ornamental design for a spice bottle holder, as shown and described.

**DESCRIPTION**

FIG. 1 is a perspective view of a spice bottle holder, showing the new design;  
FIG. 2 is a front elevational view thereof;  
FIG. 3 is a rear elevational view thereof;  
FIG. 4 is a left side elevational view thereof;  
FIG. 5 is a right side elevational view thereof;  
FIG. 6 is a top plan view thereof; and,  
FIG. 7 is a bottom plan view thereof.  
The broken lines in FIGS. 1-7 illustrate portions of the spice bottle holder which form no part of the claimed design.

**1 Claim, 7 Drawing Sheets**

(56) **References Cited**  
U.S. PATENT DOCUMENTS  
D328,216 S \* 7/1992 Steed ..... D6/525  
D353,242 S \* 12/1994 McCoy, Sr. et al. .... D32/54  
D361,461 S \* 8/1995 Linzenbold ..... D6/556  
D389,660 S \* 1/1998 Jouett ..... D6/361



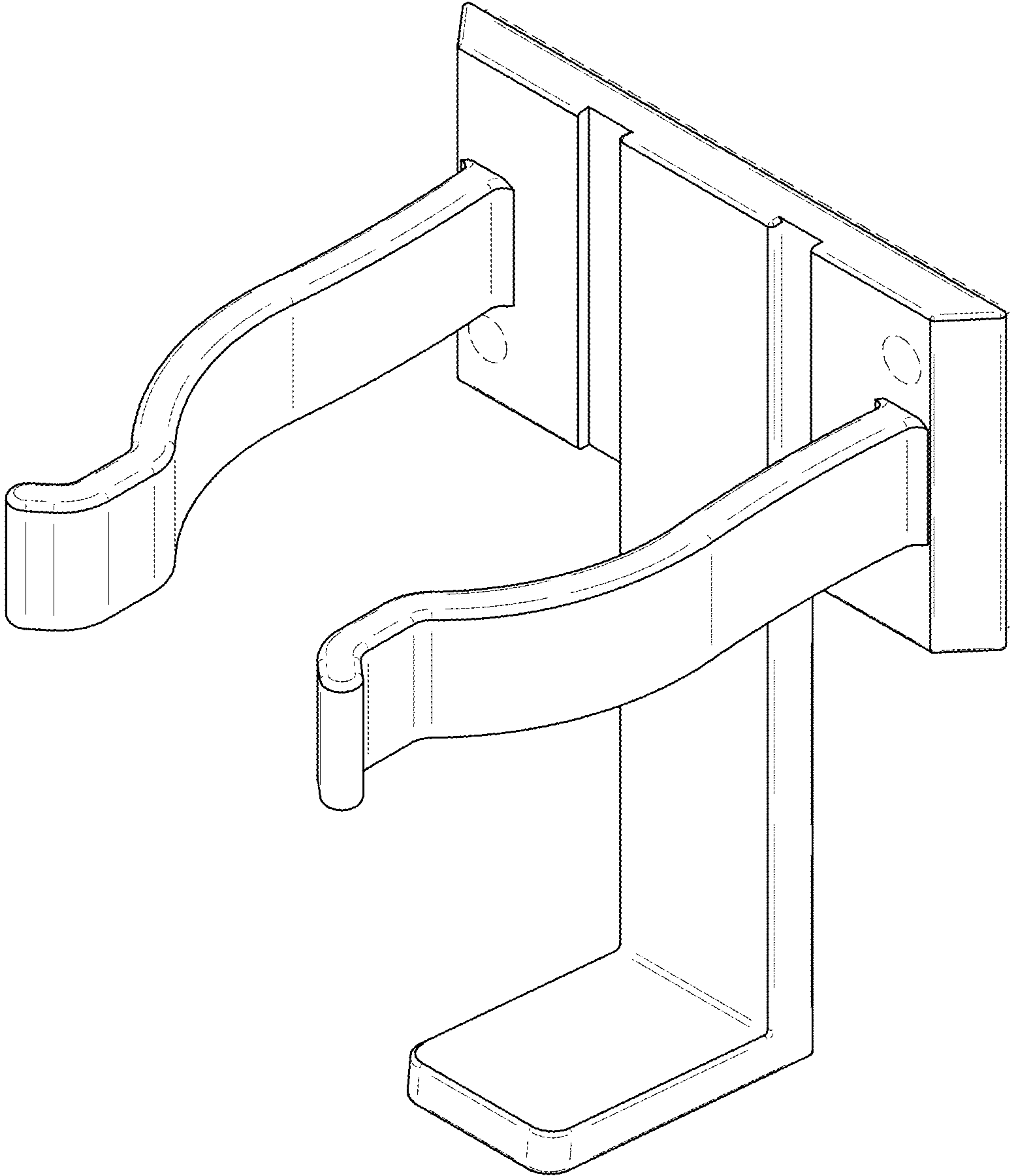


FIG. 1

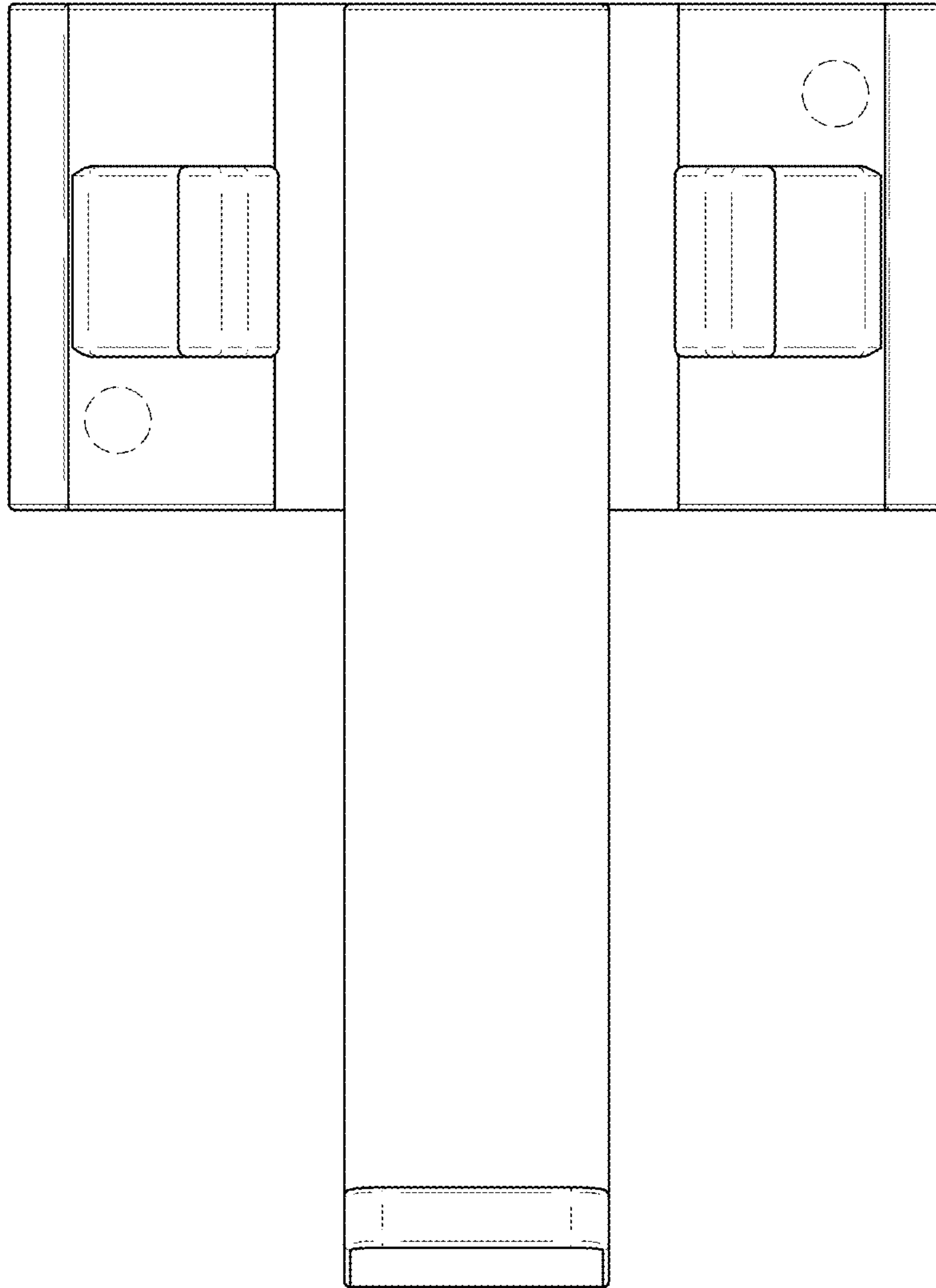


FIG. 2

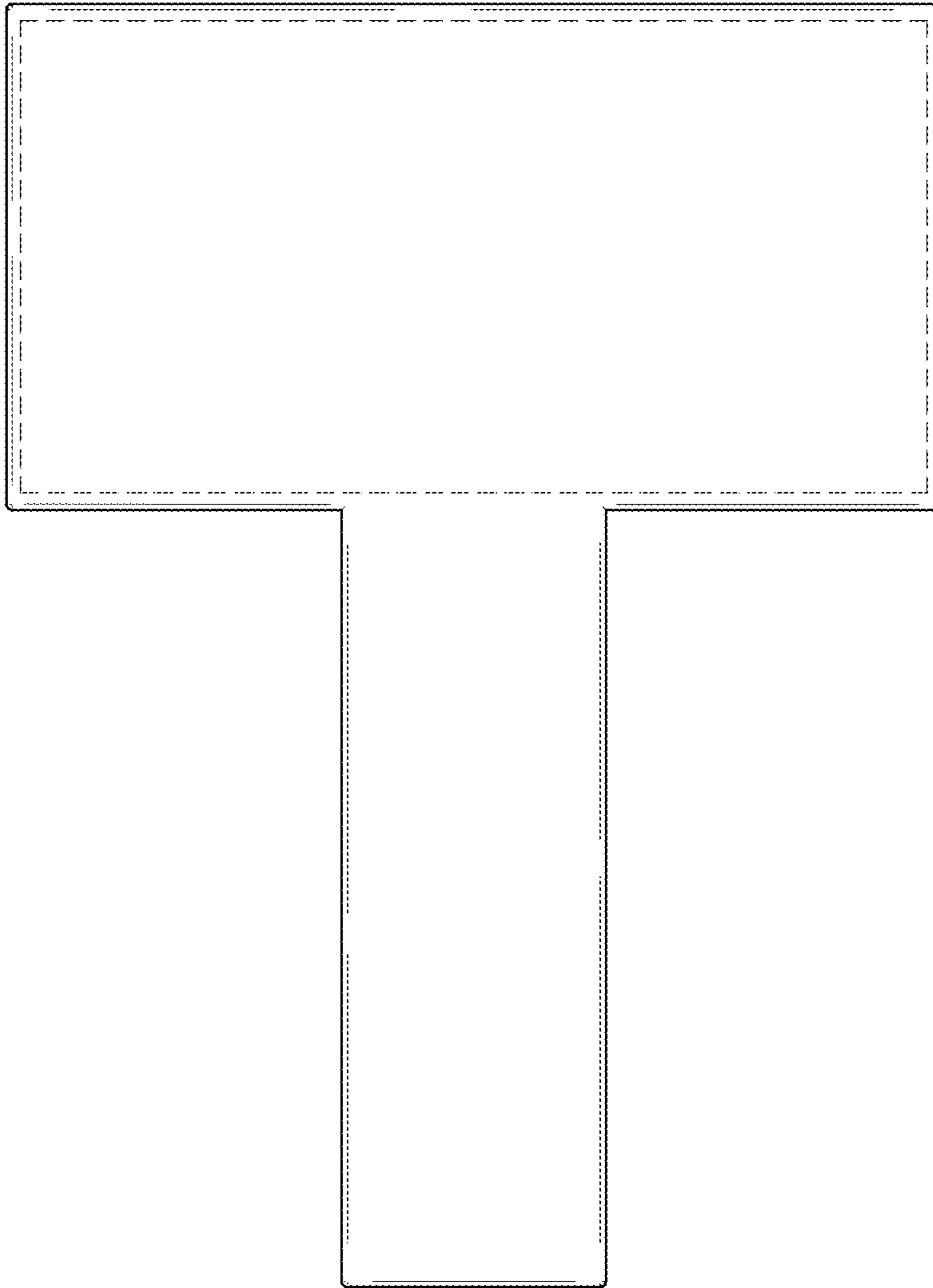


FIG. 3

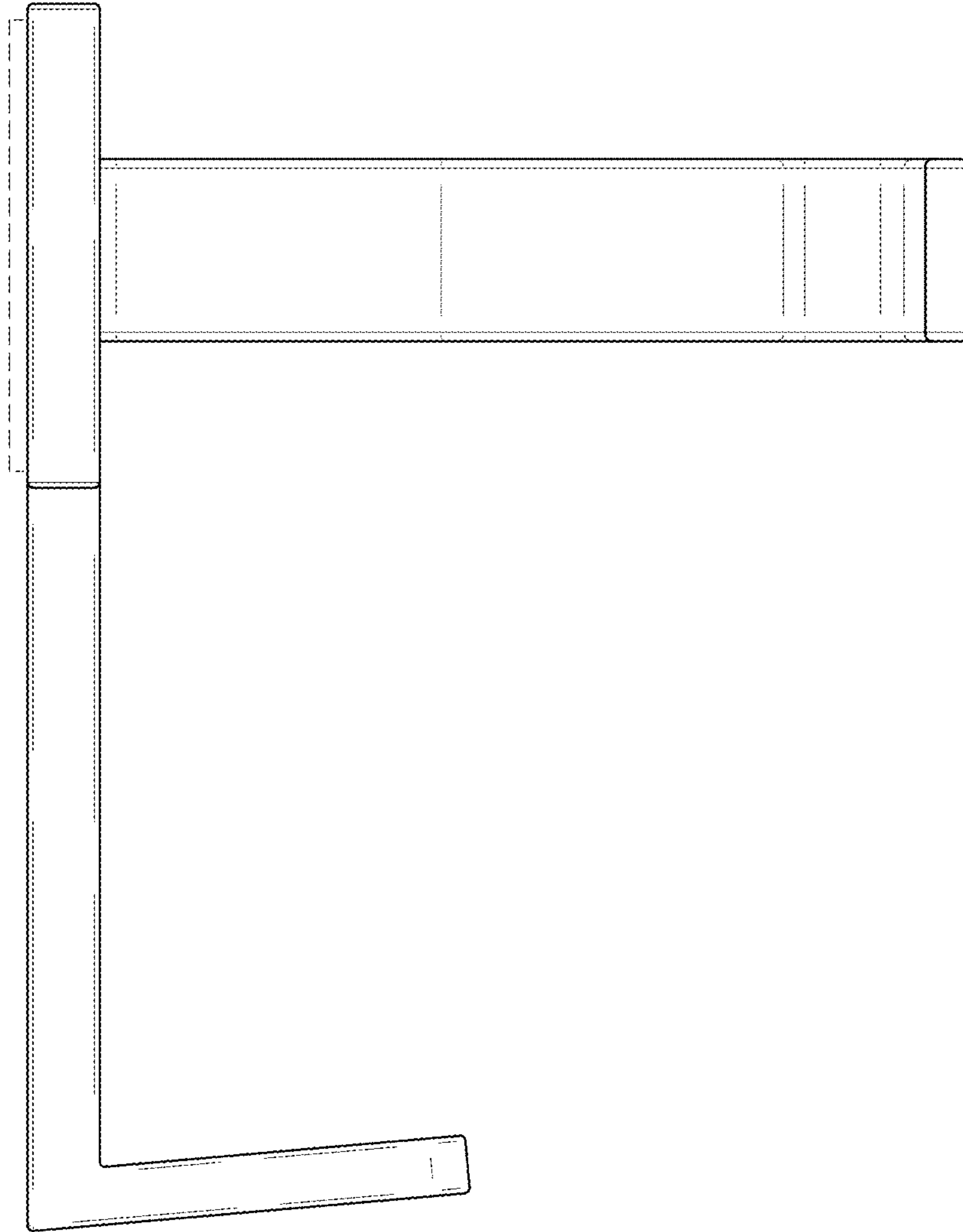


FIG. 4

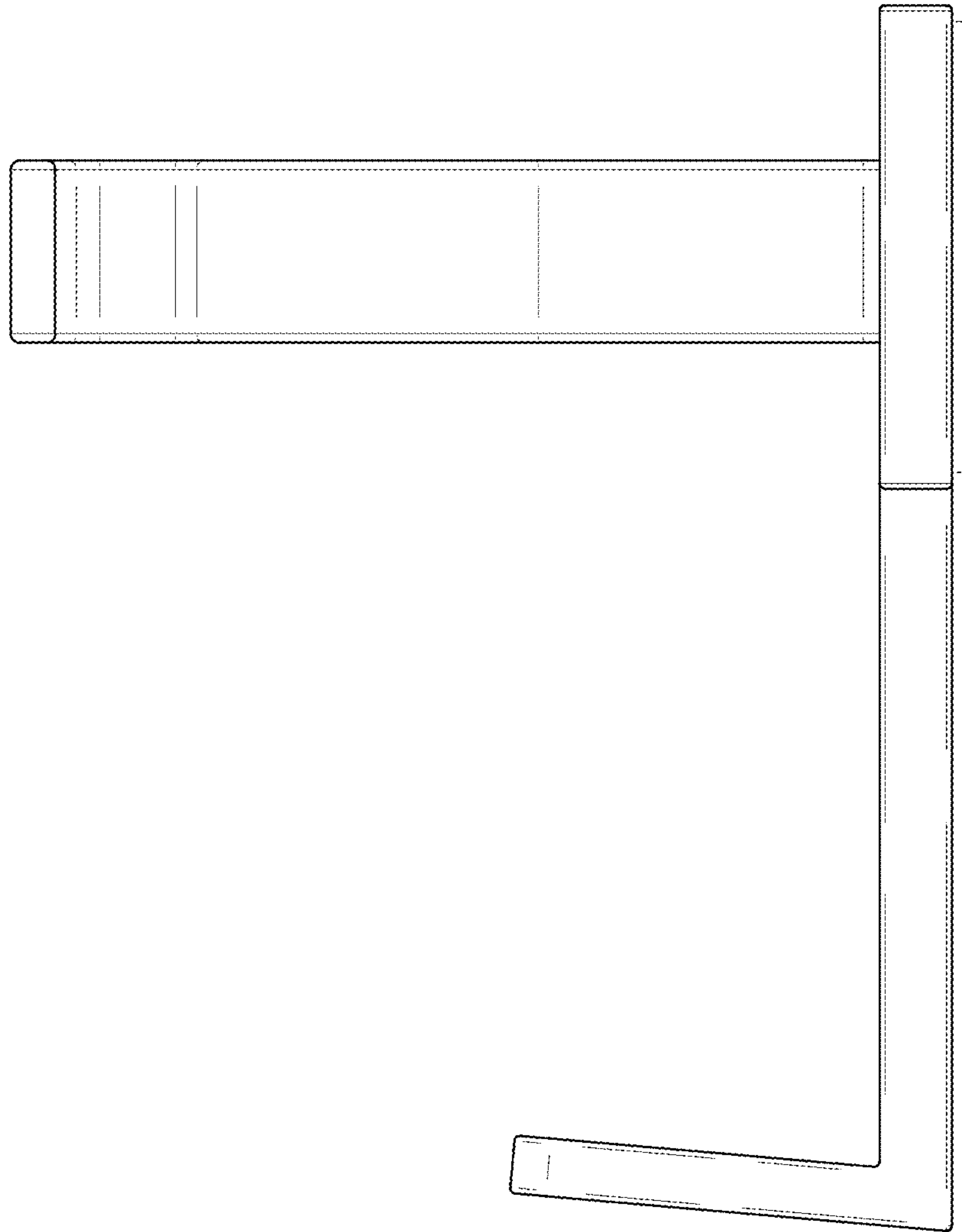


FIG. 5

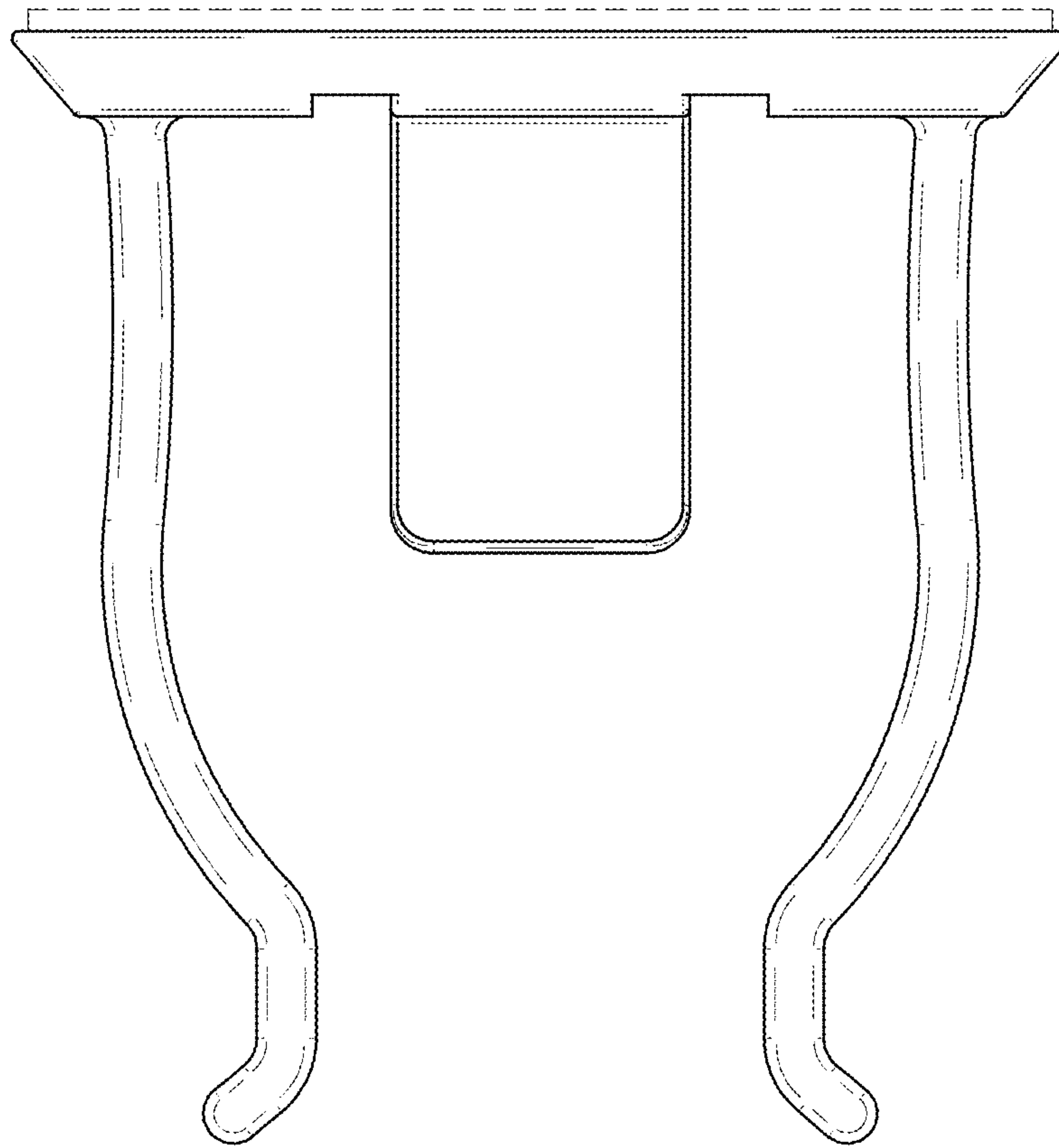


FIG. 6

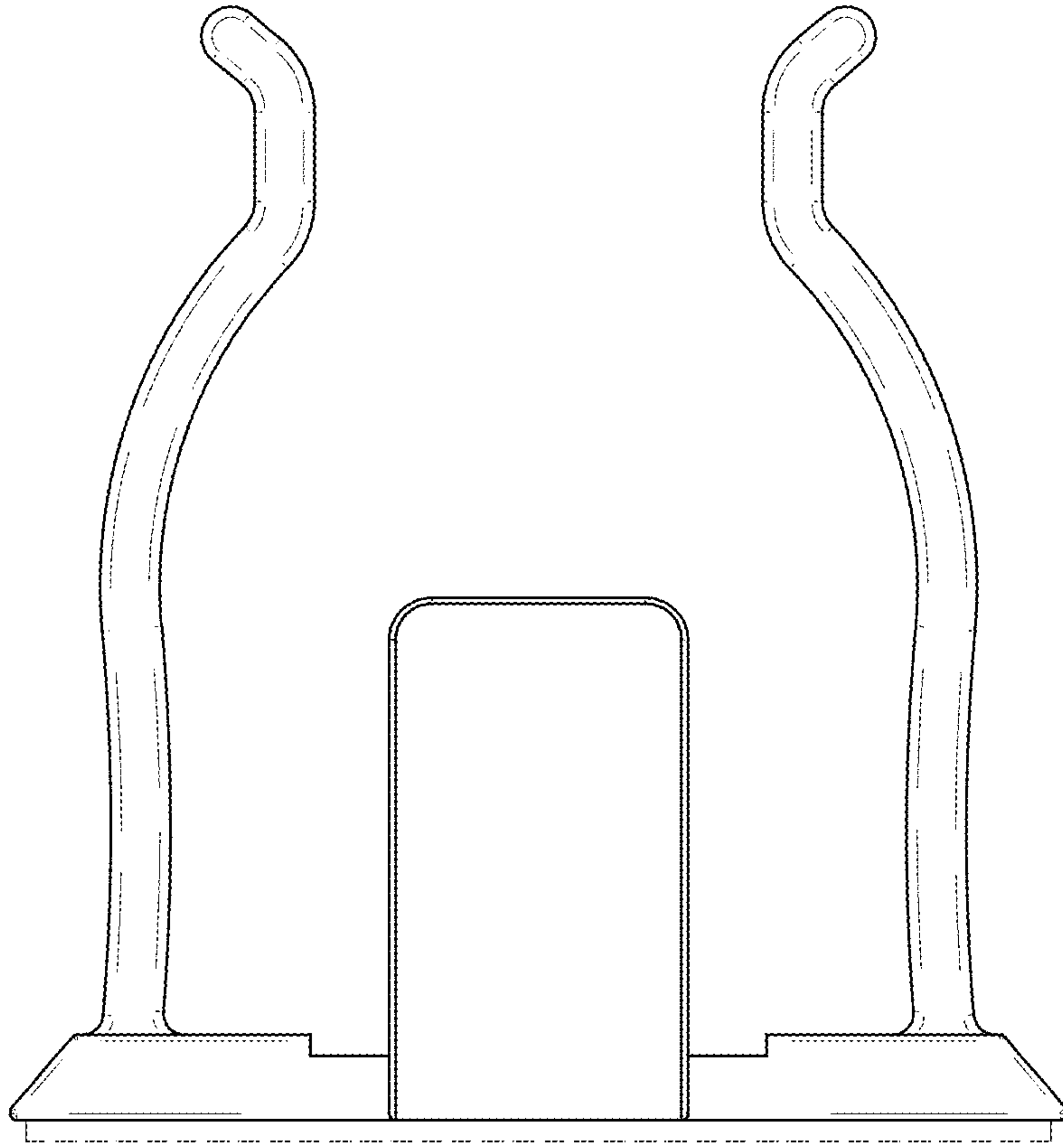


FIG. 7