



US00D924632S

(12) **United States Design Patent** (10) **Patent No.:** **US D924,632 S**
Hamilton (45) **Date of Patent:** **** Jul. 13, 2021**

(54) **BEVERAGE CONTAINER WITH LID**

D709,327 S 7/2014 Ross
D750,436 S 3/2016 Hopkins et al.
D751,345 S 3/2016 Lane et al.
D765,471 S 9/2016 Gorbold
D786,071 S 5/2017 Miller
D788,530 S 6/2017 Kestenbaum et al.
D796,256 S 9/2017 Stover et al.
D799,321 S 10/2017 Mazurkiewicz et al.

(71) Applicant: **MAGNOLIA INTELLECTUAL DESIGNS, LLC**, Dallas, TX (US)

(72) Inventor: **Mary Nicole Hamilton**, Heath, TX (US)

(73) Assignee: **Magnolia Intellectual Designs LLC**, Dallas, TX (US)

(**) Term: **15 Years**

(21) Appl. No.: **29/744,787**

(22) Filed: **Jul. 31, 2020**

Related U.S. Application Data

(63) Continuation-in-part of application No. 29/691,092, filed on May 14, 2019, now Pat. No. Des. 899,845.

(51) **LOC (13) Cl.** **07-01**

(52) **U.S. Cl.**
USPC **D7/510**

(58) **Field of Classification Search**
USPC D9/516, 550, 563, 434, 435, 440, 447,
D9/454, 499, 527, 528; D7/392.1, 396.2,
D7/510, 511

CPC .. B65D 51/18; B65D 43/0202; B65D 43/165;
B65D 43/22; B65D 47/0857

See application file for complete search history.

(56) **References Cited**

U.S. PATENT DOCUMENTS

6,173,858 B1 1/2001 Norwood et al.
D533,779 S 12/2006 Schmidtner et al.
D590,662 S 4/2009 Cheng
D618,510 S 6/2010 Ross
D651,853 S 1/2012 Eyal
D652,682 S 1/2012 Eyal
D675,063 S * 1/2013 Wahl D7/510
D683,184 S 5/2013 Lin

(Continued)

OTHER PUBLICATIONS

WRVO. Bill would allow reusable beverage container refills. Oct. 30, 2019. <https://www.wrvo.org/post/bill-would-allow-reusable-beverage-container-refills#stream/0> (Year: 2019).*

(Continued)

Primary Examiner — Darcey E Gottschalk

(74) *Attorney, Agent, or Firm* — Smith IP Services, P.C.

(57) **CLAIM**

The ornamental design for a beverage container with lid, as shown and described.

DESCRIPTION

FIG. 1 shows a top perspective view of the new design for a beverage container with lid.

FIG. 2 shows a bottom perspective view of the beverage container with lid.

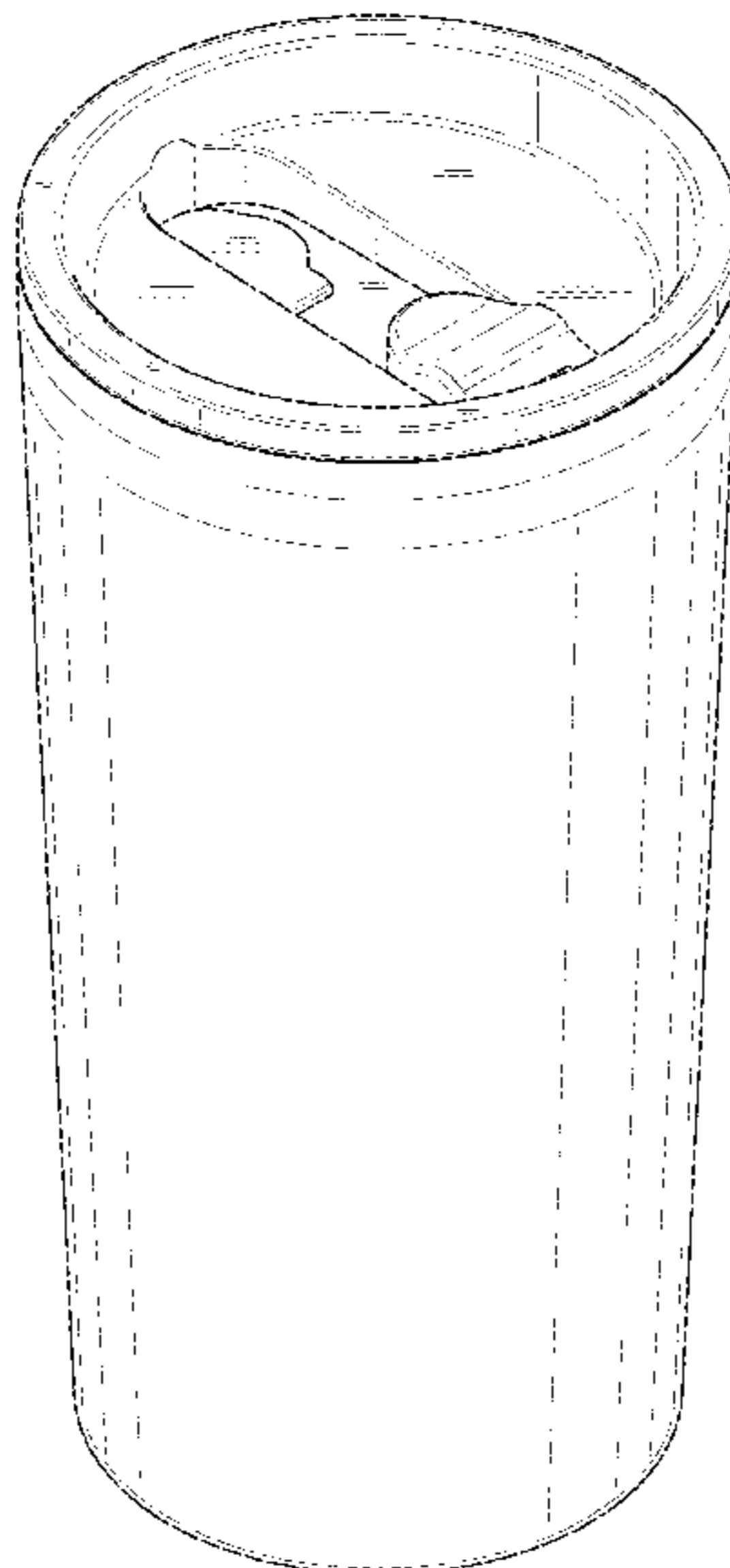
FIG. 3 shows a front elevational view of the beverage container with lid.

FIG. 4 shows a top view of the beverage container with lid; and,

FIG. 5 shows a bottom view of the beverage container with lid.

A rear elevational view, a right side elevational view and a left side elevational view of the beverage container with lid are each the same as the front elevational view of the beverage container with lid.

1 Claim, 4 Drawing Sheets



(56)

References Cited

U.S. PATENT DOCUMENTS

D801,746 S 11/2017 Thuma et al.
 D802,362 S 11/2017 Spivey et al.
 D806,475 S 1/2018 Pisarevsky
 D816,414 S 5/2018 Thompson et al.
 D830,767 S * 10/2018 Gordon D7/392.1
 D833,818 S 11/2018 Sletten
 D841,398 S 2/2019 Gauss et al.
 D849,484 S 5/2019 Kestenbaum et al.
 D851,445 S 6/2019 Silsby
 D856,082 S 8/2019 Yao
 D864,718 S 10/2019 Gibney et al.
 D867,057 S * 11/2019 Spivey D7/392
 10,486,868 B2 11/2019 Spivey et al.
 D872,522 S 1/2020 Diener et al.
 D876,896 S 3/2020 Wu
 D886,517 S * 6/2020 Bo D7/392.1
 D893,951 S * 8/2020 Steenari D7/510
 D895,367 S * 9/2020 Hamilton D7/523
 D895,370 S * 9/2020 Hamilton D7/536
 D896,575 S * 9/2020 Xie D7/392.1
 D899,845 S * 10/2020 Hamilton D7/392.1
 D899,849 S * 10/2020 Zhang D7/392.1
 2008/0237080 A1 10/2008 Andrews

2011/0089174 A1 4/2011 Smith et al.
 2013/0119060 A1 * 5/2013 Chiou B65D 43/267
 220/254.3
 2014/0124513 A1 5/2014 Shearer
 2015/0052933 A1 2/2015 Darrow
 2015/0344199 A1 * 12/2015 Chiou B65D 47/20
 220/254.7
 2018/0194520 A1 7/2018 Lovern
 2018/0312322 A1 11/2018 Canales Kell
 2019/0092540 A1 3/2019 Spivey et al.
 2020/0017278 A1 1/2020 Leimone
 2020/0346845 A1 * 11/2020 Lam B29C 73/02

OTHER PUBLICATIONS

The Fifth State. Recycling is romantic and won't stack up. Until we bring back manufacturing. 2019. <https://www.thefifthstate.com.au/waste/recycling-is-romantic-and-wont-stack-up-until-we-bring-back-manufacturing/> (Year: 2019).
 Office Action dated May 26, 2020 for U.S. Appl. No. 29/690,570, 11 pages.
 Office Action dated Jul. 8, 2020 for U.S. Appl. No. 29/690,586, 7 pages.

* cited by examiner

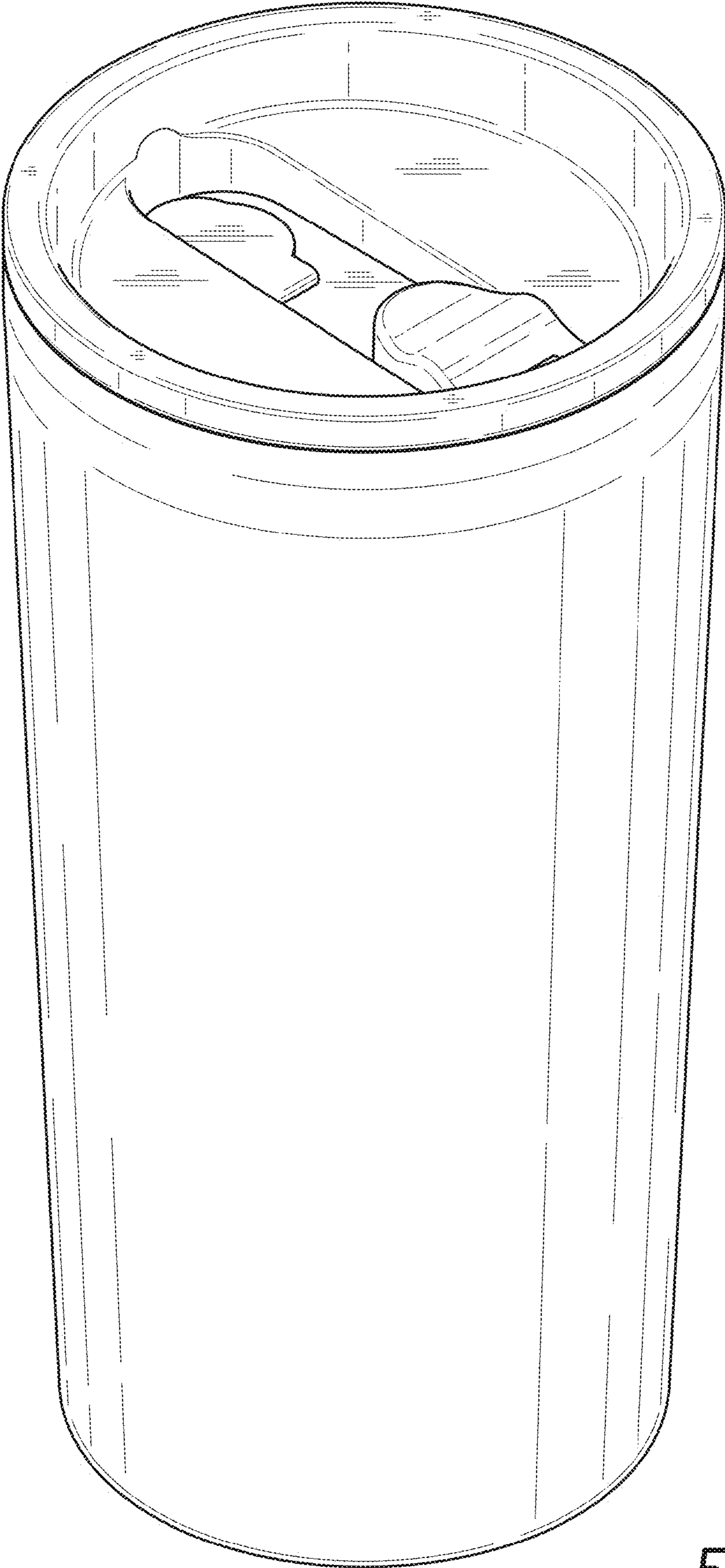


FIG. 1

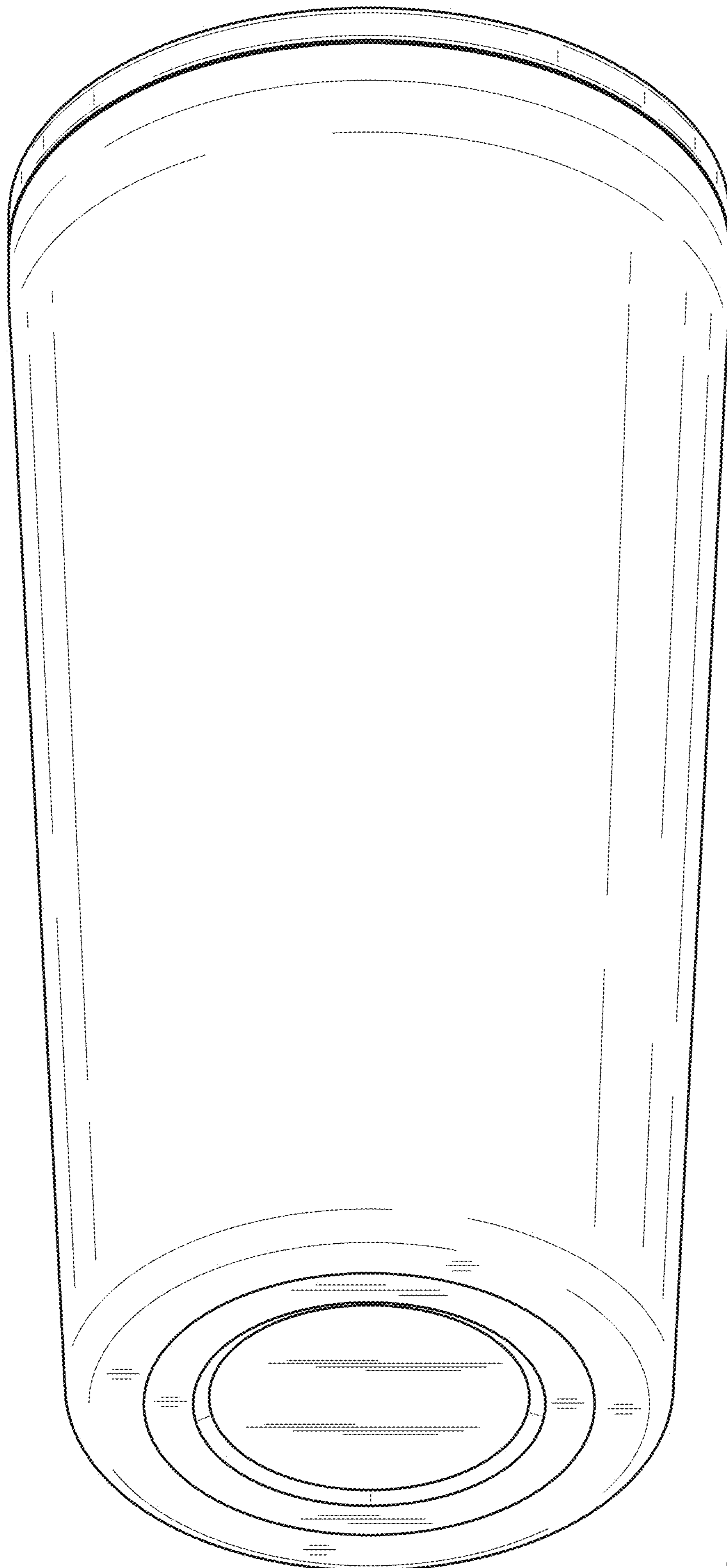


FIG.2

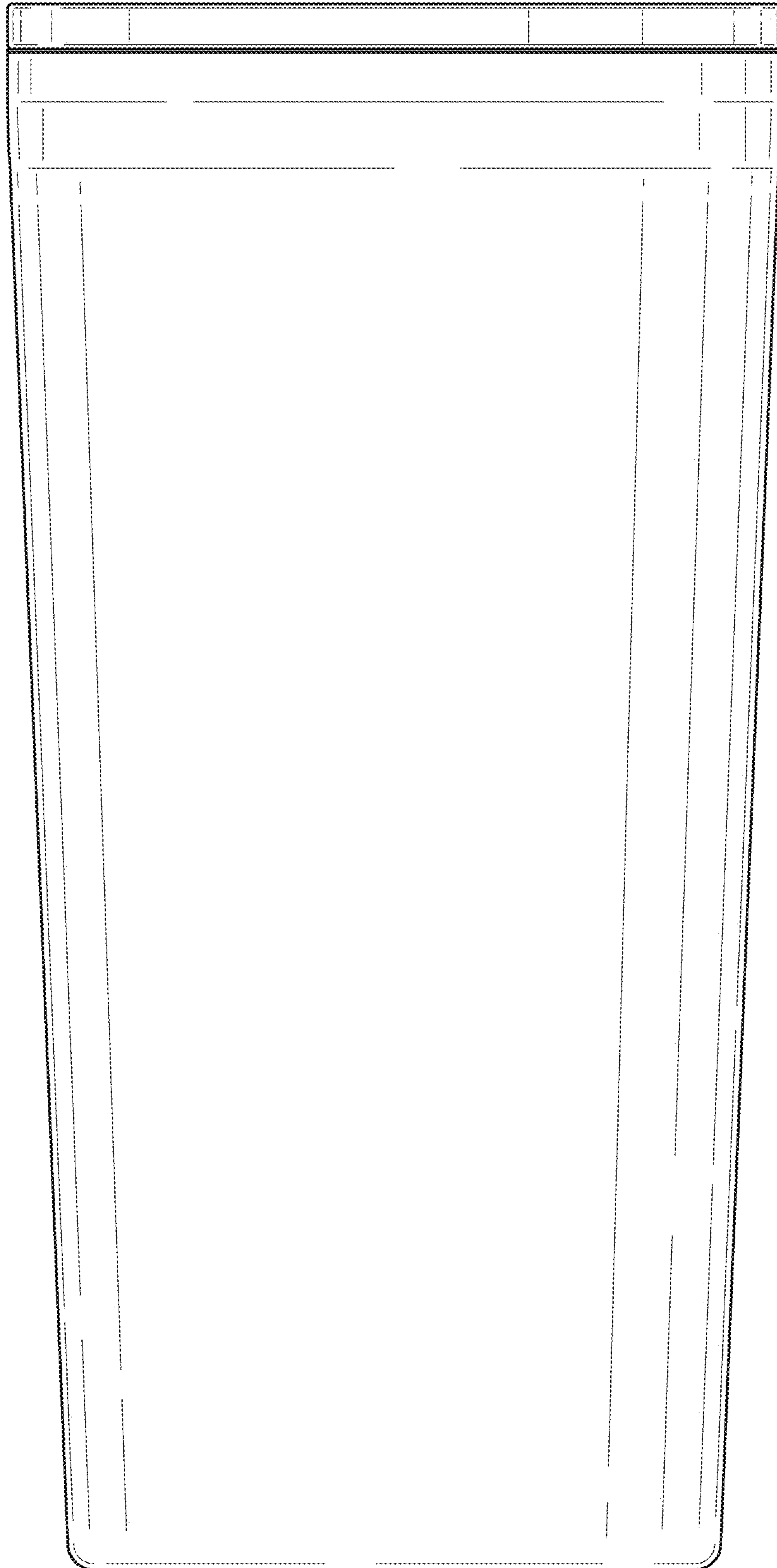


FIG. 3

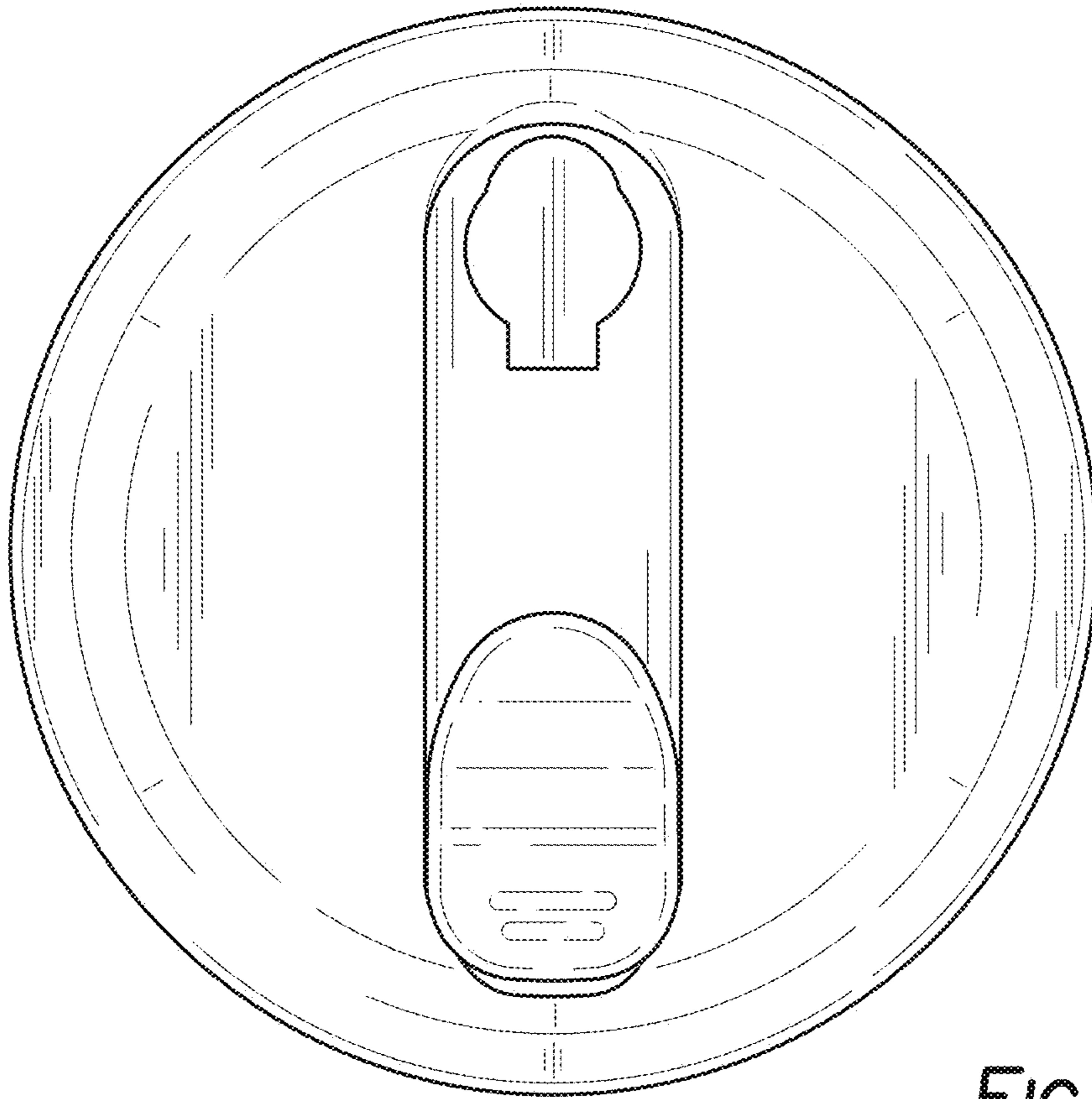


FIG. 4

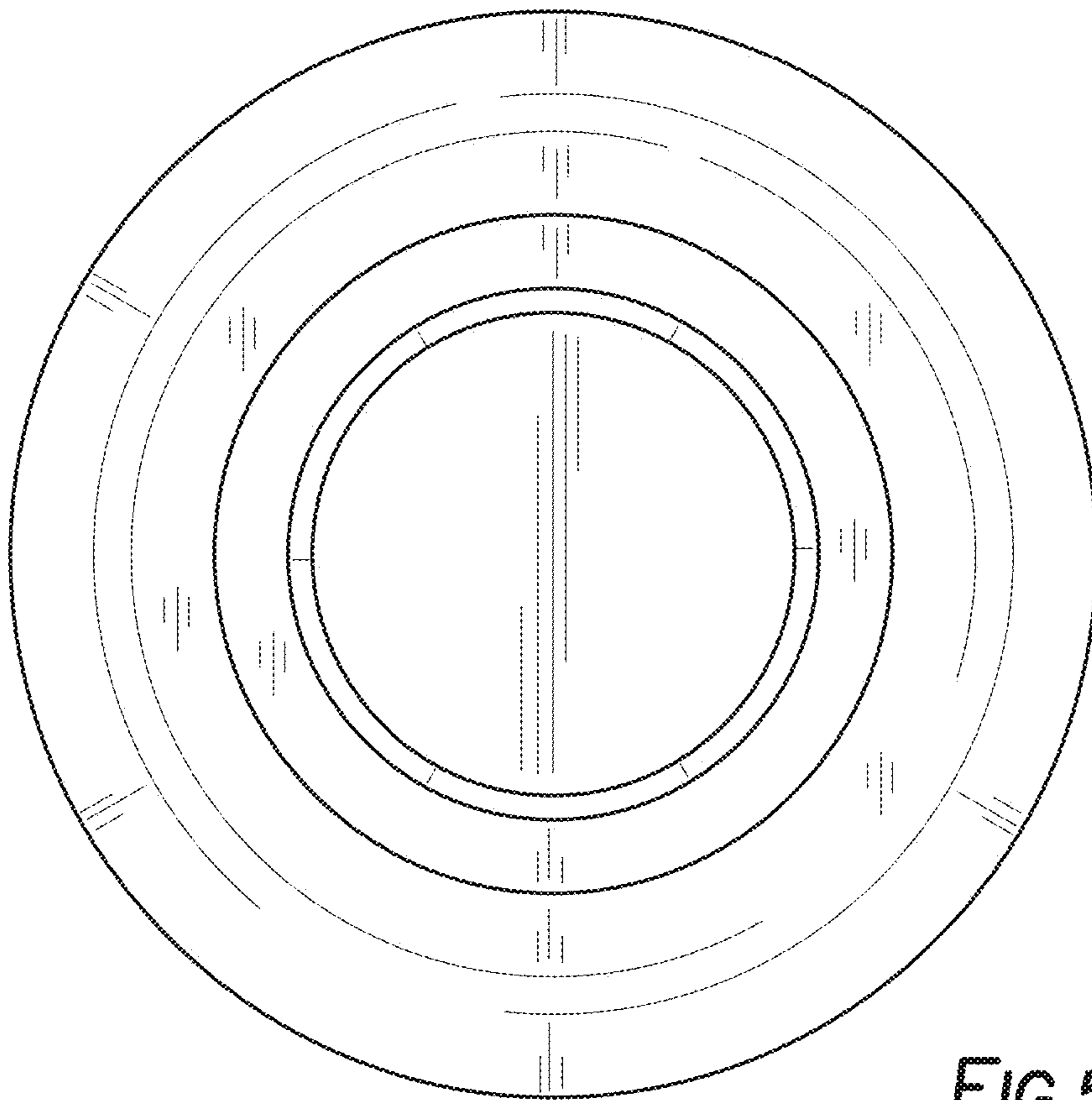


FIG. 5