



US00D924631S

(12) **United States Design Patent**
Gui

(10) **Patent No.:** **US D924,631 S**
(45) **Date of Patent:** **** Jul. 13, 2021**

(54) **WATER GLASS**
(71) Applicant: **Beijing Fuyajing Chuangye**
Shangmao Co., Ltd, Beijing (CN)
(72) Inventor: **Xiaochun Gui, Anqing (CN)**
(**) Term: **15 Years**
(21) Appl. No.: **29/740,521**

D368,529 S * 4/1996 Allegre D24/197
D442,435 S * 5/2001 Takagi D7/510
D555,795 S * 11/2007 Mallet D24/197
D595,417 S * 6/2009 Driver D24/197
D681,836 S * 5/2013 Stephan D24/197
D748,429 S 2/2016 Lv
D749,745 S * 2/2016 Prentice D24/197
D778,112 S * 2/2017 Szymanski D7/510
D782,245 S * 3/2017 Ellsworth D7/392.1
D782,875 S * 4/2017 Matthis D7/507
D787,268 S * 5/2017 Matsuo D7/510
D796,906 S * 9/2017 Schlegel D7/534

(Continued)

(22) Filed: **Jul. 6, 2020**
(51) **LOC (13) Cl.** **07-01**
(52) **U.S. Cl.**
USPC **D7/510; D7/507**
(58) **Field of Classification Search**
USPC D7/507, 509, 510, 511, 513, 529, 531,
D7/532, 523, 533, 534, 535, 536, 392.1,
D7/396.1, 396.2, 300.1, 608, 300, 320,
D7/624.1, 624.2, 667; D3/202; D9/501,
D9/502, 503, 504, 505, 530, 529, 522,
D9/554, 567, 571, 569, 449, 516, 523,
D9/524, 543, 565, 575, 556, 454, 446;
D24/197
CPC A47G 19/22; A47G 19/2288; A47G
19/2205; A47G 19/2211; A47J 41/0077;
A45F 3/16
See application file for complete search history.

OTHER PUBLICATIONS

<https://www.amazon.com/EsOffice-Dinosaur-Bottles-Detachable-Outdoor/dp/B07XZ8555G> (Year: 2019).*

Primary Examiner — Jae Liang

(57) **CLAIM**

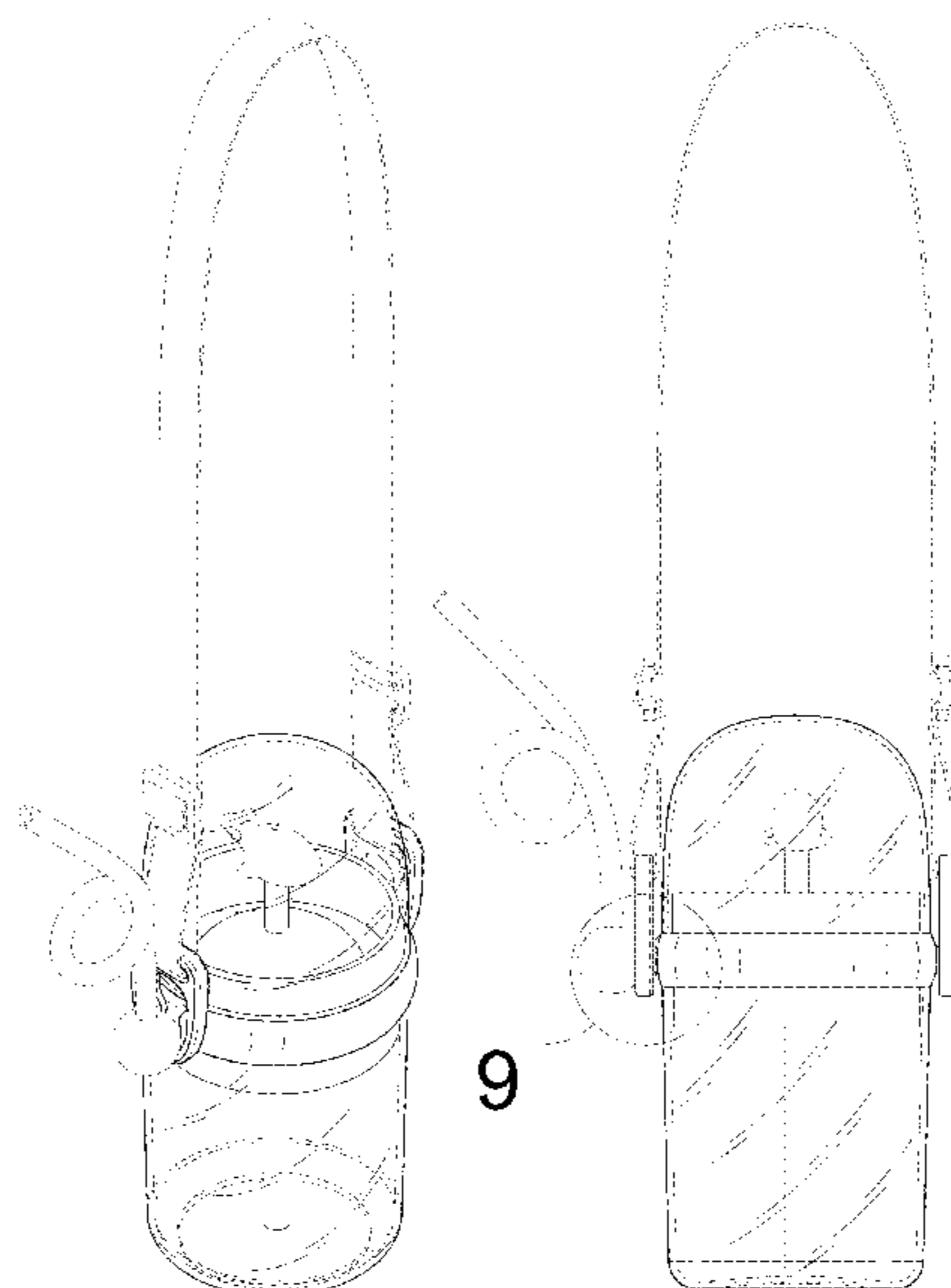
The ornamental design for a water glass, as shown and described.

DESCRIPTION

FIG. 1 is a first perspective view of a water glass showing my new design;
FIG. 2 is a second perspective view thereof;
FIG. 3 is a front view thereof;
FIG. 4 is a back view thereof;
FIG. 5 is a left side view thereof;
FIG. 6 is a right side view thereof;
FIG. 7 is a top view thereof;
FIG. 8 is a bottom view thereof; and,
FIG. 9 is an enlarged view of the selected portion in FIG. 3. The broken lines shown in the drawings depict portions of the water glass in which the design is embodied that form no part of the claimed design. The dash-dotted lines represent boundaries of the details views and form no part of the claimed design.

1 Claim, 9 Drawing Sheets

(56) **References Cited**
U.S. PATENT DOCUMENTS
4,852,762 A * 8/1989 Chou-Sheng A45F 3/16
220/709
5,167,354 A * 12/1992 Cohanfard A45F 3/16
215/229
D341,206 S * 11/1993 Tsuji D24/197
D341,892 S * 11/1993 Yagi D24/197
5,265,757 A * 11/1993 Wu A47G 19/2266
220/707
5,361,934 A * 11/1994 Spence, Jr. A47G 19/2266
215/388



(56)

References Cited

U.S. PATENT DOCUMENTS

D859,079	S	*	9/2019	Boroski	D7/510
D859,080	S	*	9/2019	Rummel	D7/511
D872,523	S		1/2020	Lv		
D885,828	S		6/2020	Lv		
D888,495	S	*	6/2020	Davis	D7/507

* cited by examiner

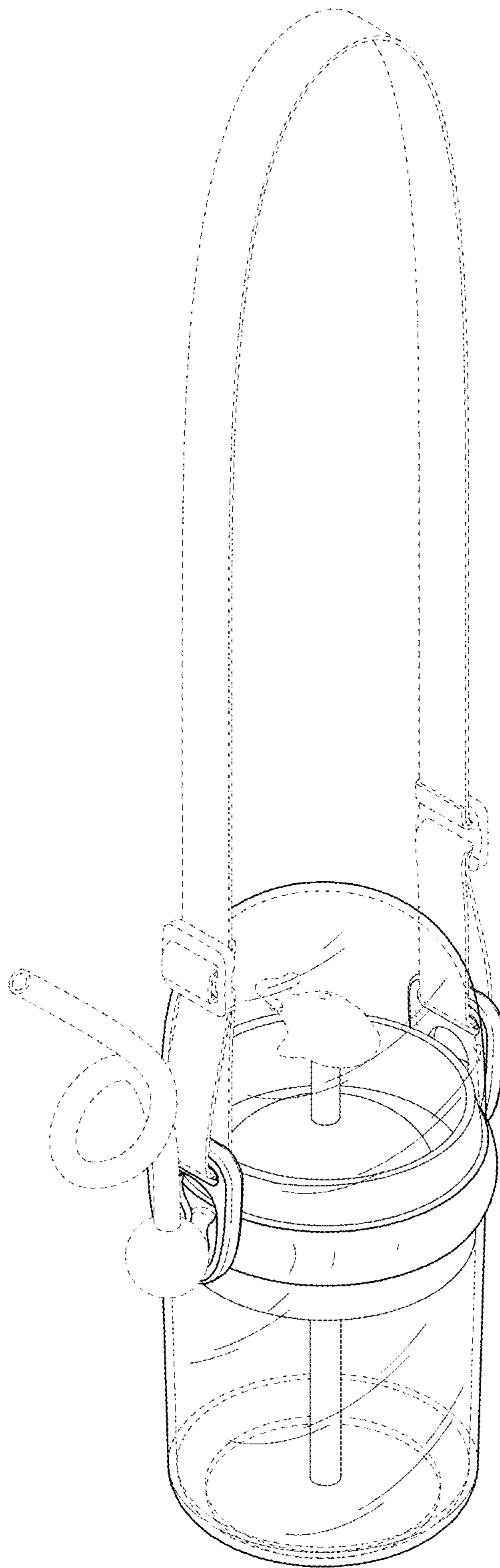


FIG. 1

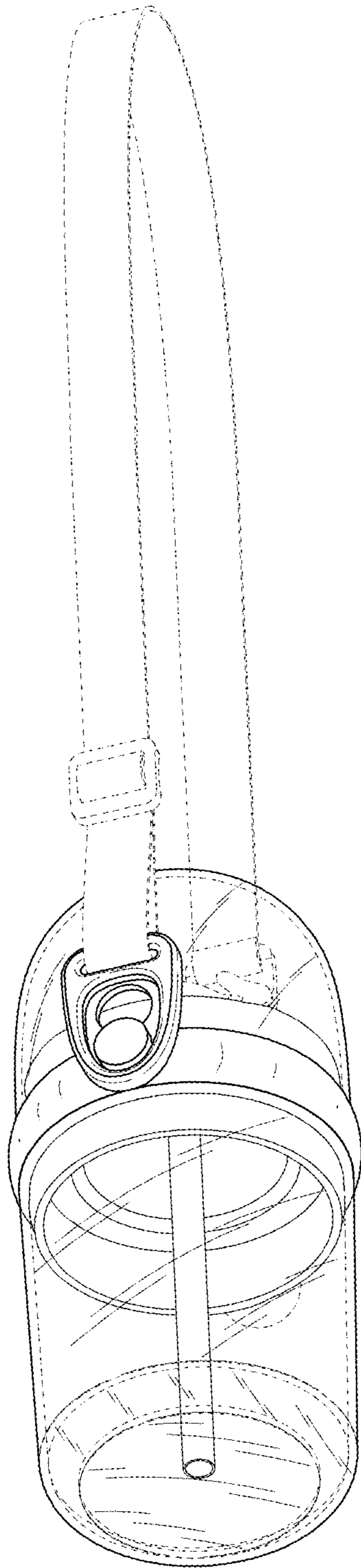


FIG.2

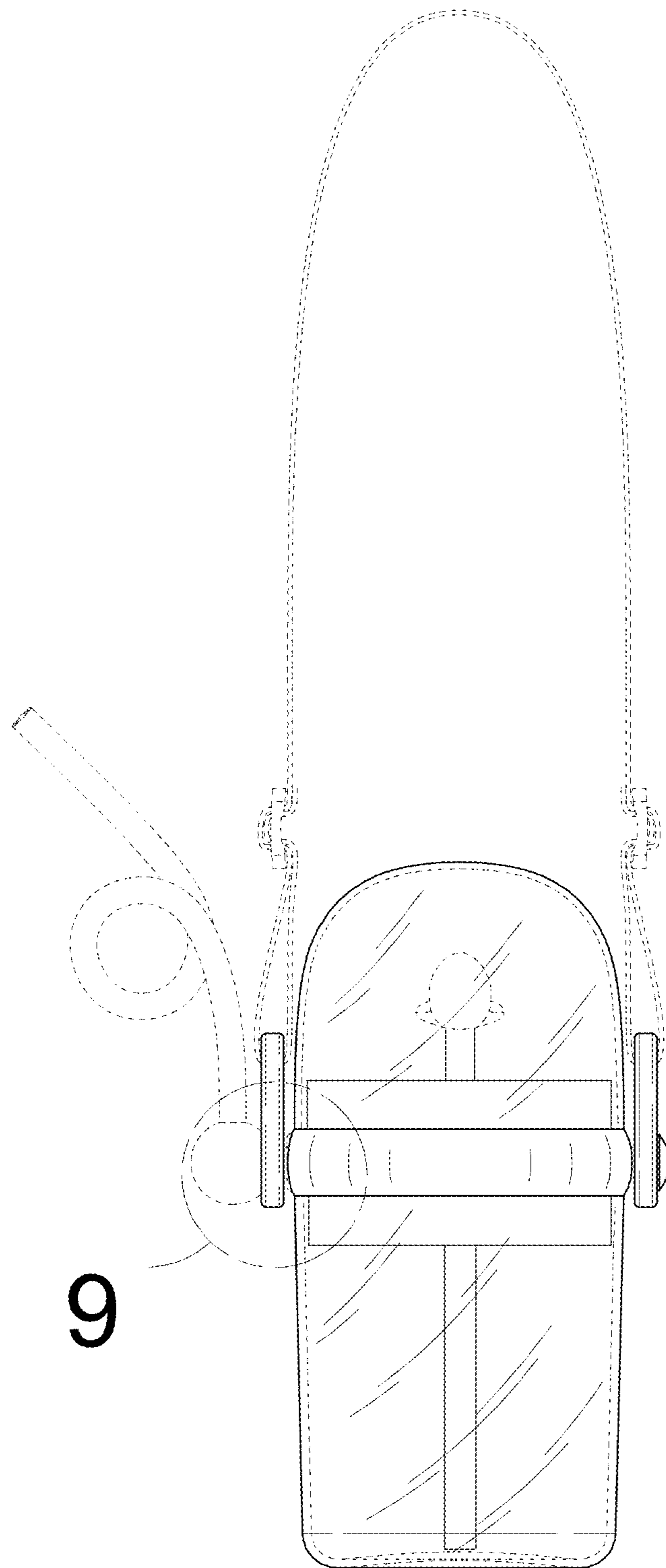


FIG.3

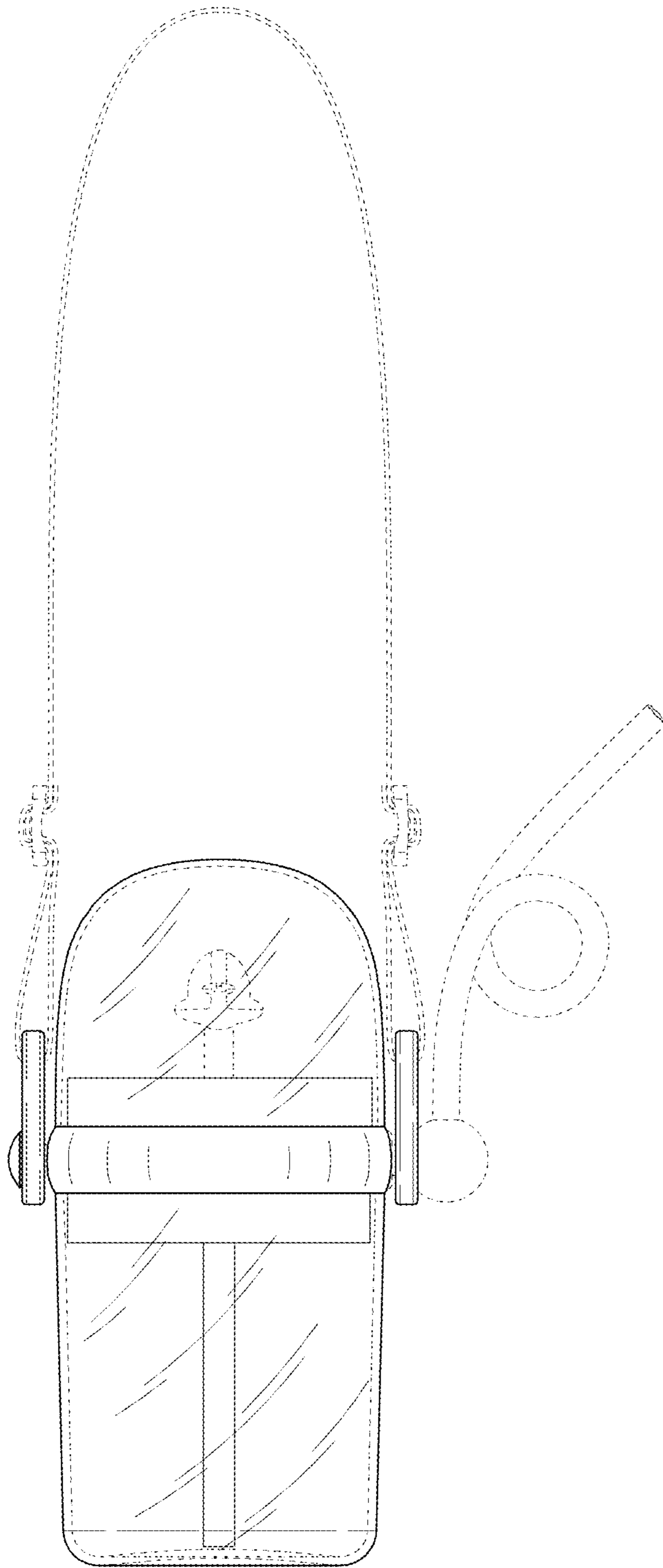


FIG.4

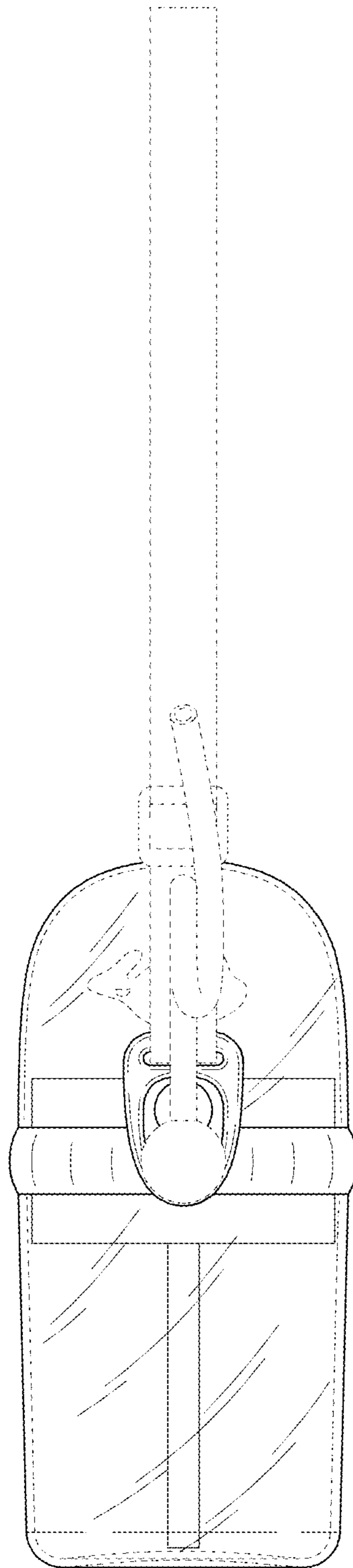


FIG.5

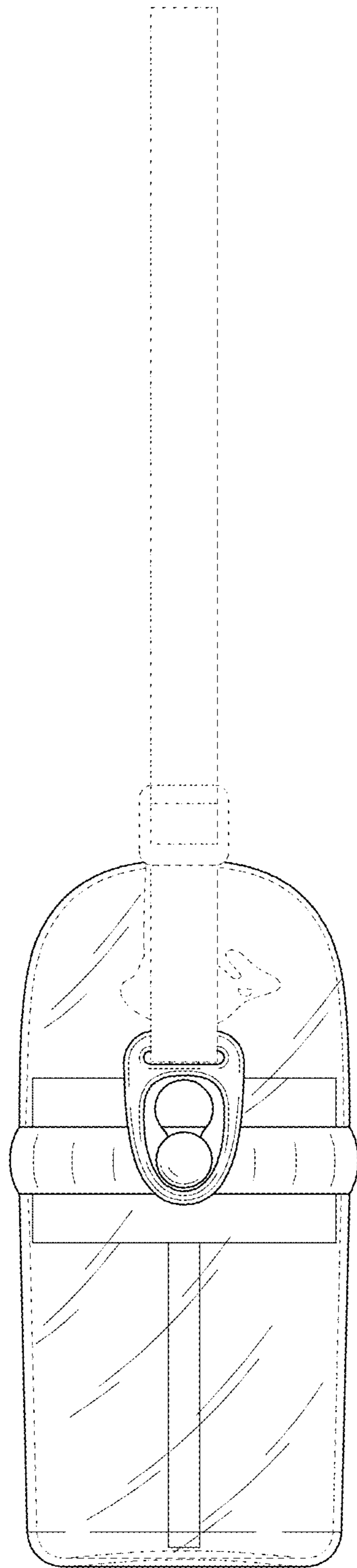


FIG.6

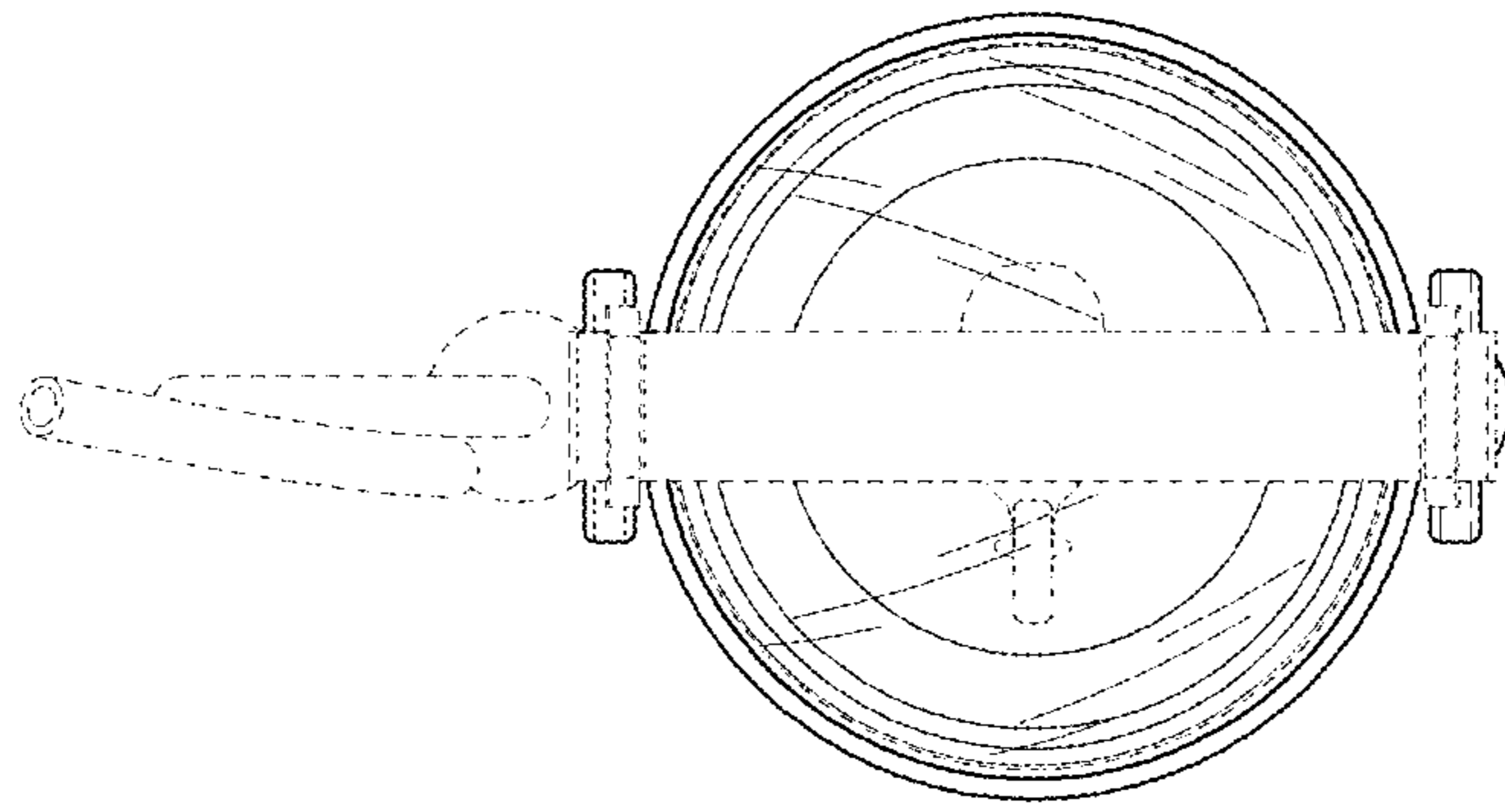


FIG.7

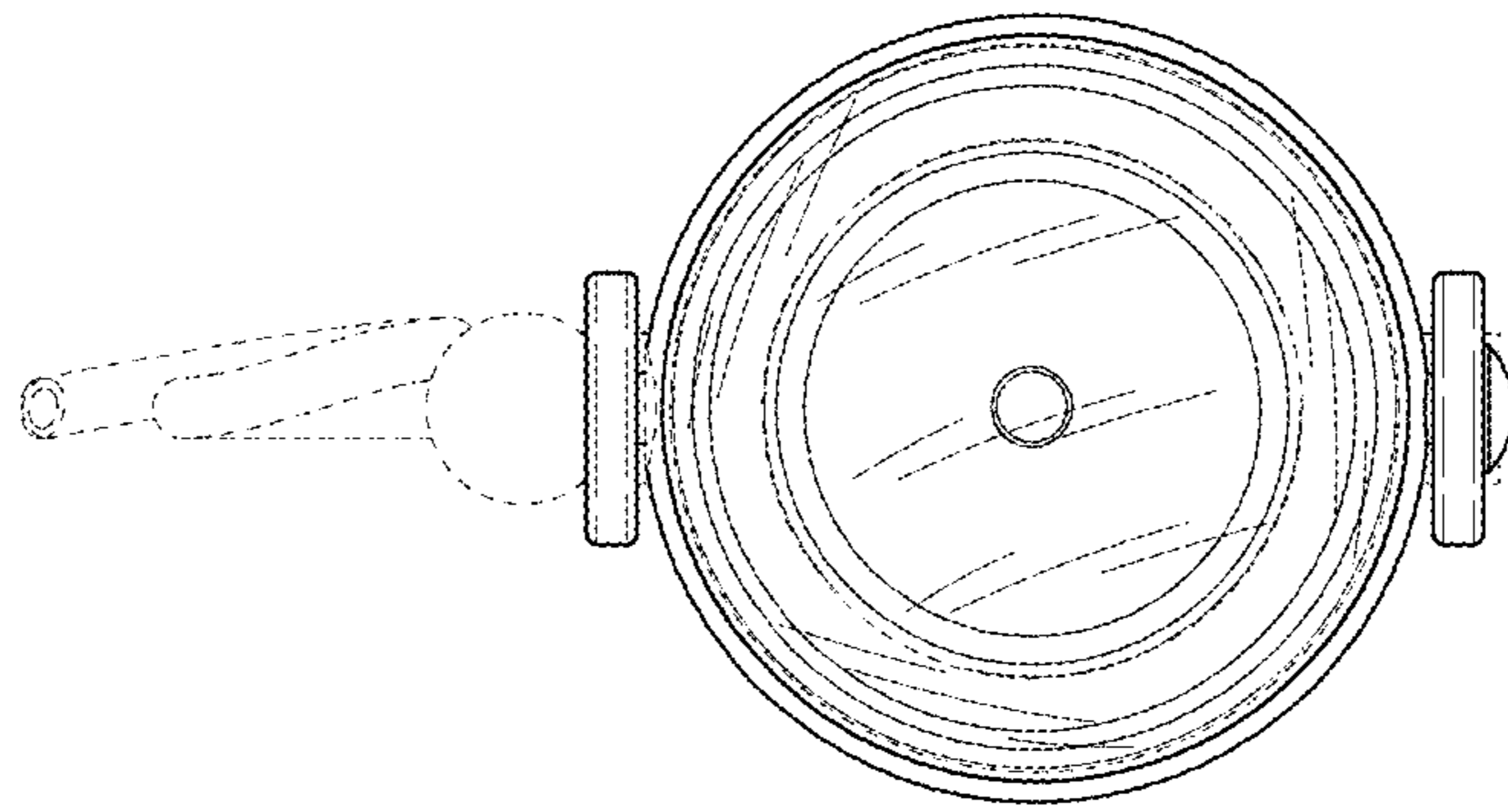


FIG.8

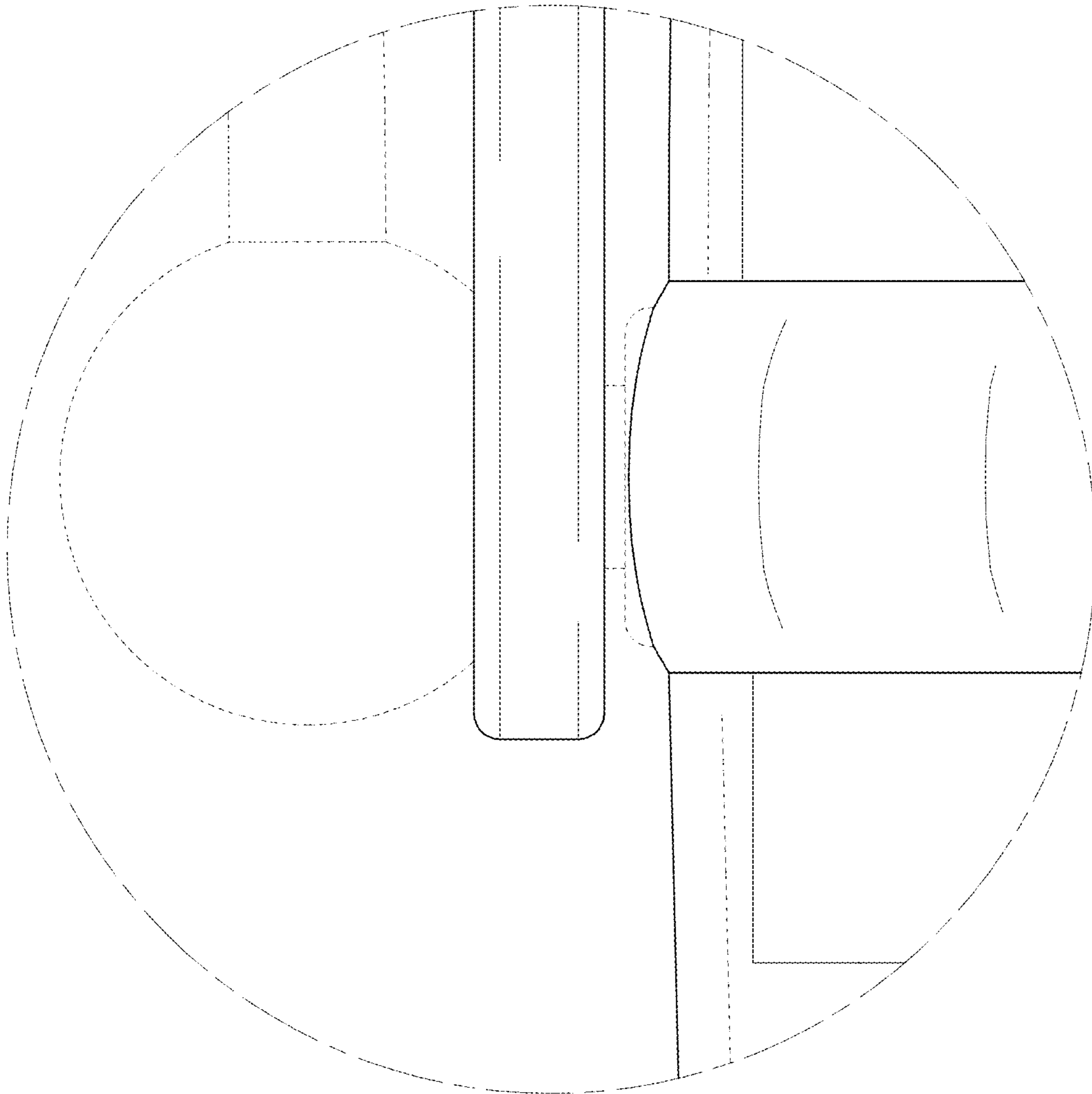


FIG.9