



US00D924628S

(12) **United States Design Patent** (10) **Patent No.:** **US D924,628 S**  
**Munari** (45) **Date of Patent:** **\*\* Jul. 13, 2021**

(54) **HANDLE FOR COOKWARE**  
 (71) Applicant: **LA TERMOPLASTIC F.B.M. S.r.l.,**  
 Arsago Seprio (IT)  
 (72) Inventor: **Marco Munari,** Cardano al Campo (IT)  
 (73) Assignee: **LA TERMOPLASTIC F.B.M. S.R.L.,**  
 Arsago Seprio (IT)  
 (\*\*) Term: **15 Years**  
 (21) Appl. No.: **29/699,105**  
 (22) Filed: **Jul. 23, 2019**

D617,606 S *	6/2010	Munari	.....	D7/395
D618,051 S *	6/2010	Munari	.....	D7/395
D686,874 S *	7/2013	Rae	.....	D7/395
D693,171 S *	11/2013	Munari	.....	D7/395
D696,552 S *	12/2013	Rae	.....	D7/395
D729,002 S *	5/2015	Barberi	.....	D7/395
D730,686 S *	6/2015	Barberi	.....	D7/395
D741,108 S *	10/2015	Munari	.....	D7/395
D784,074 S *	4/2017	Courteaux	.....	D7/395
D804,243 S *	12/2017	Wang	.....	D7/395
D828,087 S *	9/2018	Munari	.....	D7/395
D832,034 S *	10/2018	Munari	.....	D7/395
D839,046 S *	1/2019	Munari	.....	D7/395
D845,067 S *	4/2019	Barberi	.....	D7/395
D846,942 S *	4/2019	Wang	.....	D7/395
D898,508 S *	10/2020	Barberi	.....	D7/393
2011/0094062 A1 *	4/2011	Pasquini	.....	A47J 45/071 16/430

(30) **Foreign Application Priority Data**  
 Jan. 25, 2019 (EM) ..... 006085080  
 (51) **LOC (13) Cl.** ..... **07-02**  
 (52) **U.S. Cl.**  
 USPC ..... **D7/395**  
 (58) **Field of Classification Search**  
 USPC ..... D7/354-361, 393-395, 664, 401.2, 402  
 CPC ..... A47J 45/06; A47J 45/061; A47J 45/062;  
 A47J 45/071; A47J 45/072; A47J 45/08;  
 A47J 45/085  
 See application file for complete search history.

\* cited by examiner

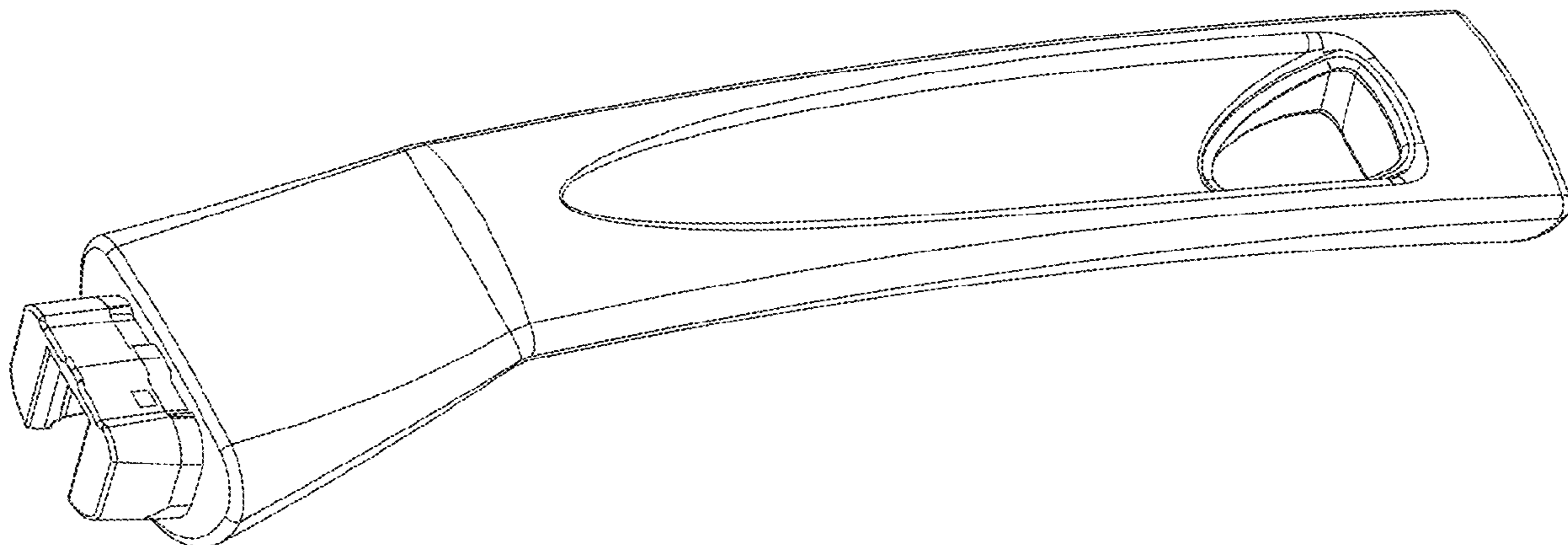
*Primary Examiner* — Cynthia M. Chin  
 (74) *Attorney, Agent, or Firm* — Cantor Colburn LLP

(56) **References Cited**  
 U.S. PATENT DOCUMENTS  
 D331,171 S \* 11/1992 Berthet ..... D7/393  
 D510,233 S \* 10/2005 Giannone ..... D7/395  
 D525,081 S \* 7/2006 Munari ..... D7/395  
 D526,532 S \* 8/2006 Munari ..... D7/395  
 D527,580 S \* 9/2006 Munari ..... D7/395  
 D562,063 S \* 2/2008 Munari ..... D7/395  
 D578,824 S \* 10/2008 Munari ..... D7/395  
 D589,745 S \* 4/2009 Munari ..... D7/395  
 D590,206 S \* 4/2009 Munari ..... D7/395  
 D615,810 S \* 5/2010 Munari ..... D7/395

(57) **CLAIM**  
 I claim, the ornamental design for a handle for cookware, as shown and described.

**DESCRIPTION**  
 FIG. 1 is a perspective view of a handle for cookware, showing my new design;  
 FIG. 2 is a side view thereof;  
 FIG. 3 is a front view thereof;  
 FIG. 4 is a rear view thereof;  
 FIG. 5 is a top view thereof;  
 FIG. 6 is a bottom view thereof;  
 FIG. 7 is another perspective view thereof; and,  
 FIG. 8 is a side view thereof, opposite from that of FIG. 2.  
 The broken lines and the areas within them represent portions of the handle for cookware and form no part of the claimed design.

**1 Claim, 8 Drawing Sheets**



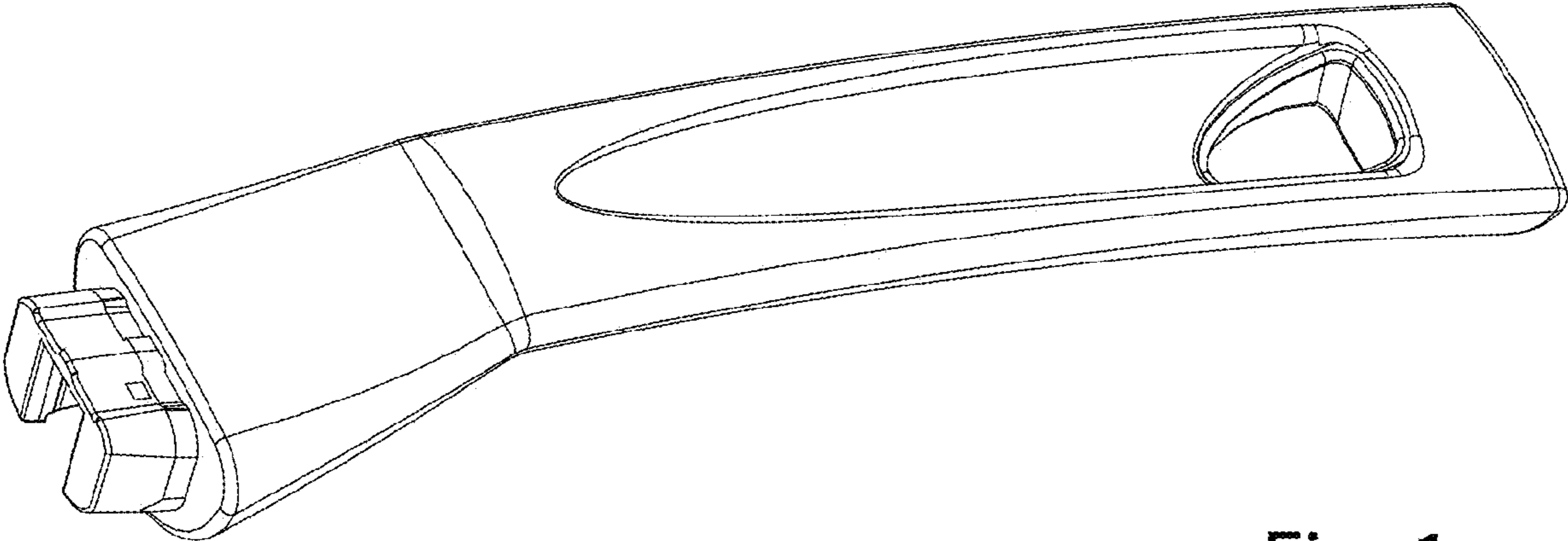


Fig. 1

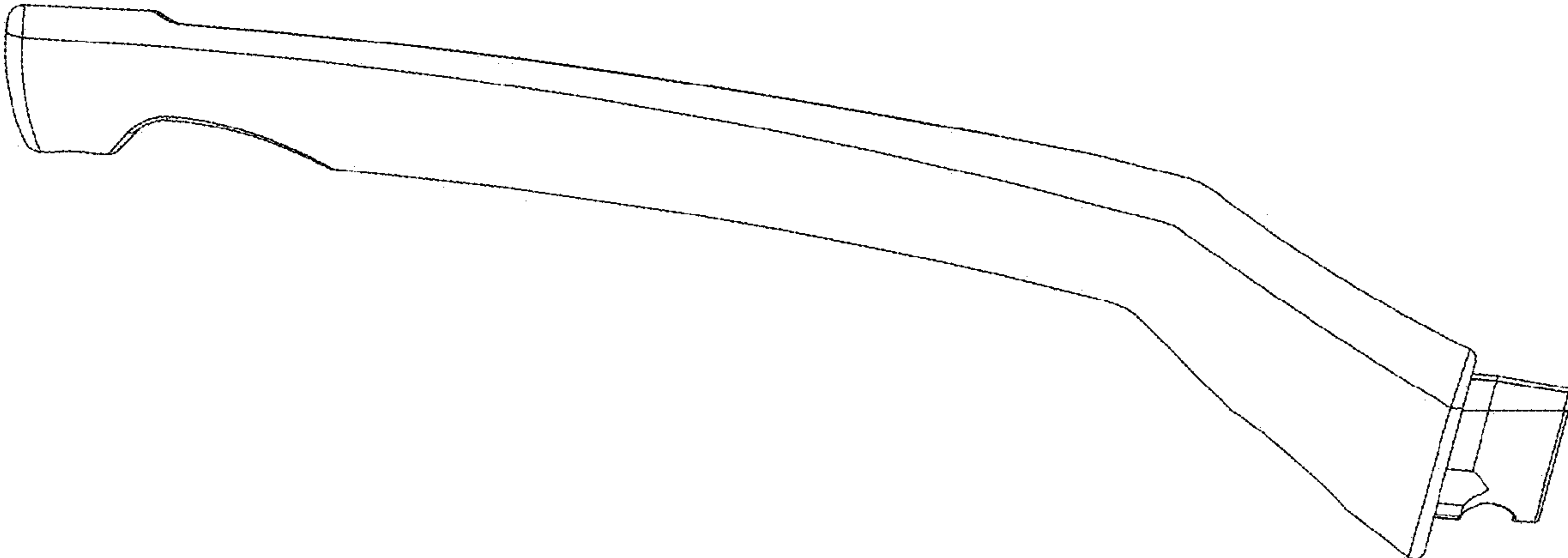


Fig. 2

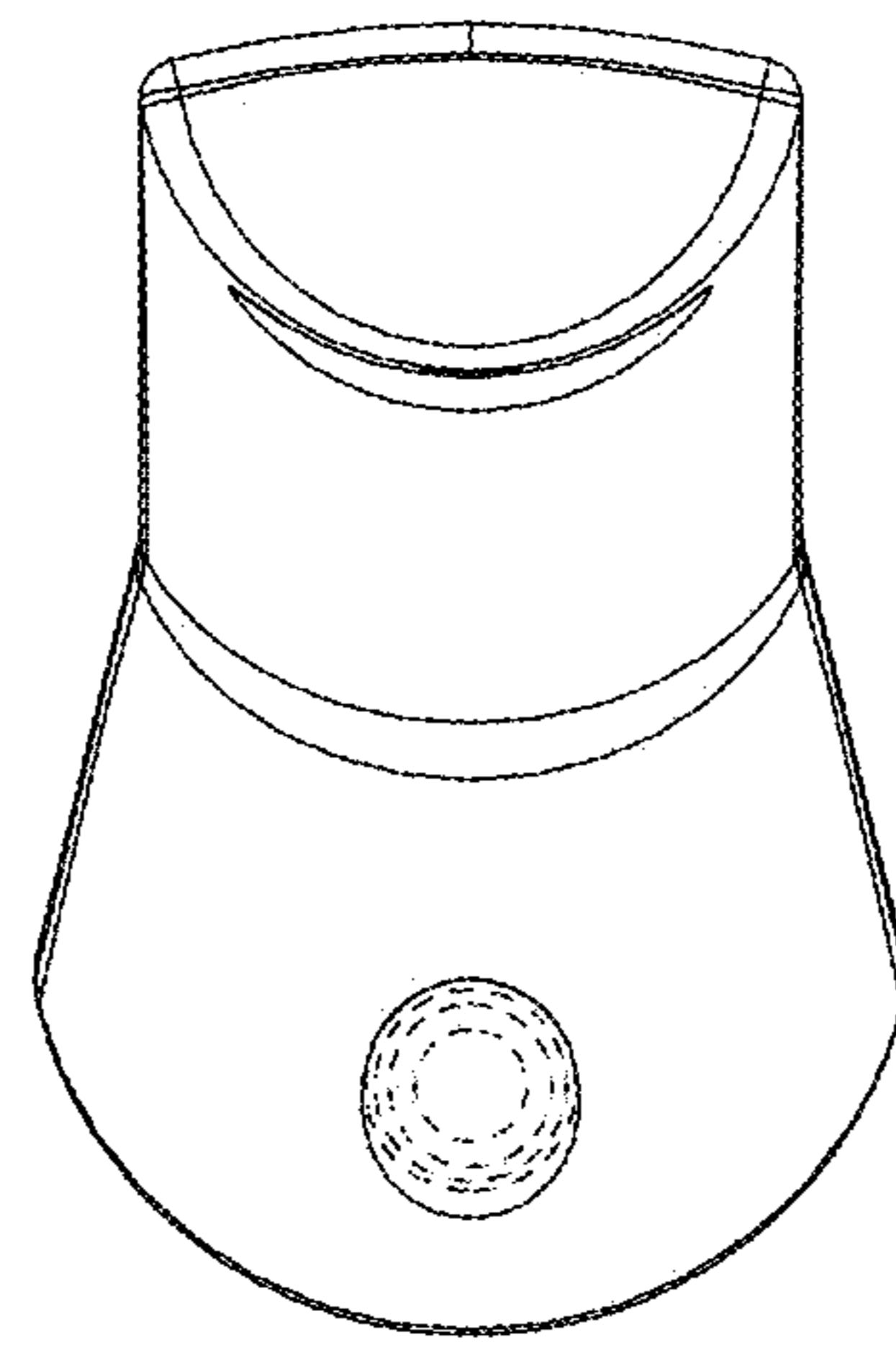


Fig. 3

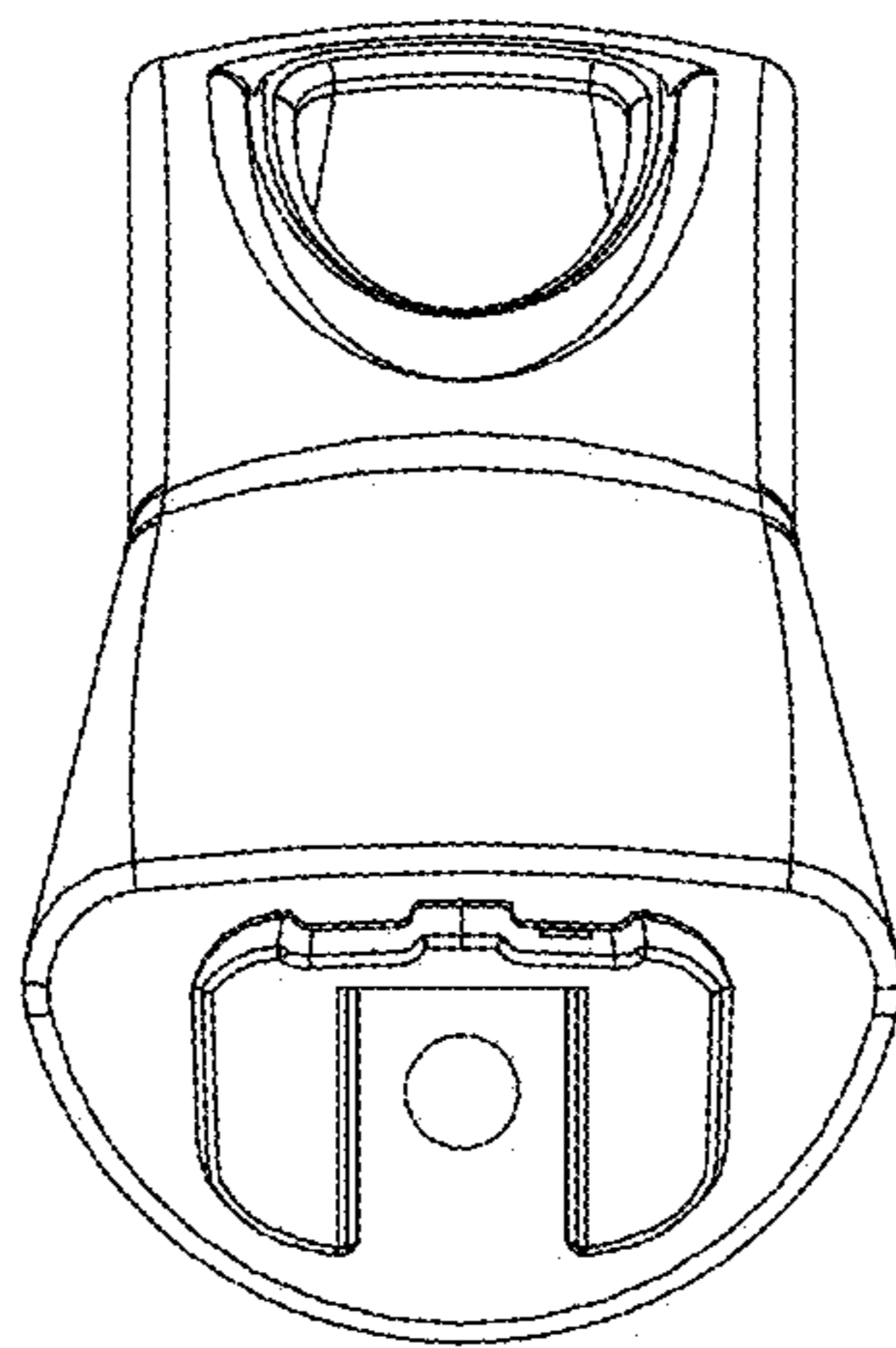


Fig. 4

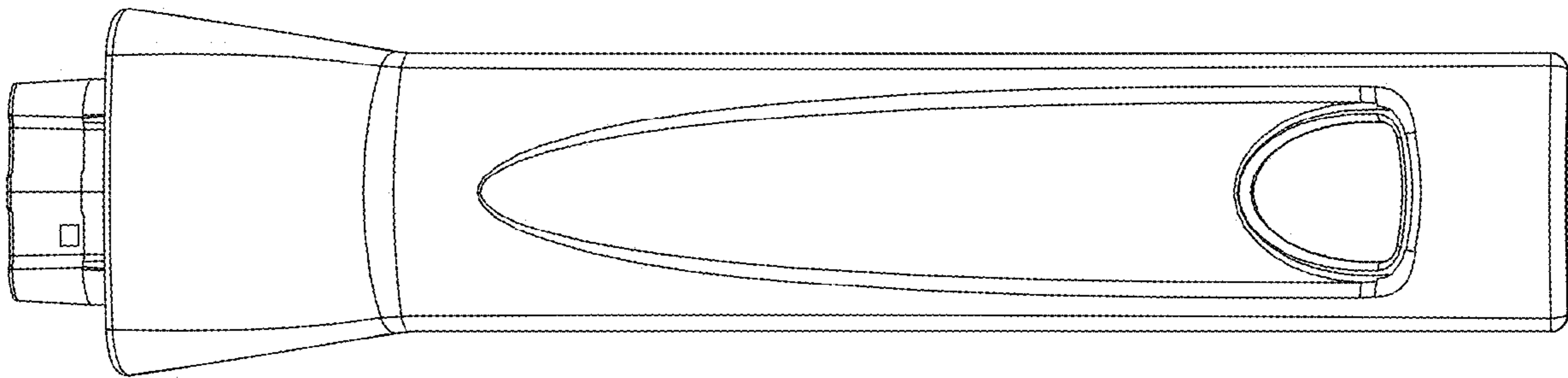


Fig. 5

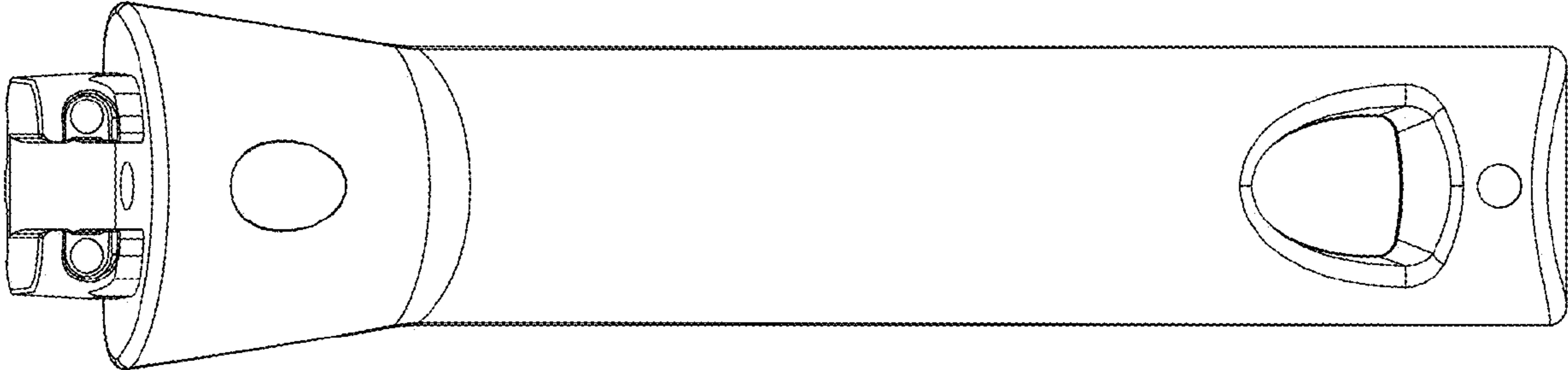


Fig. 6

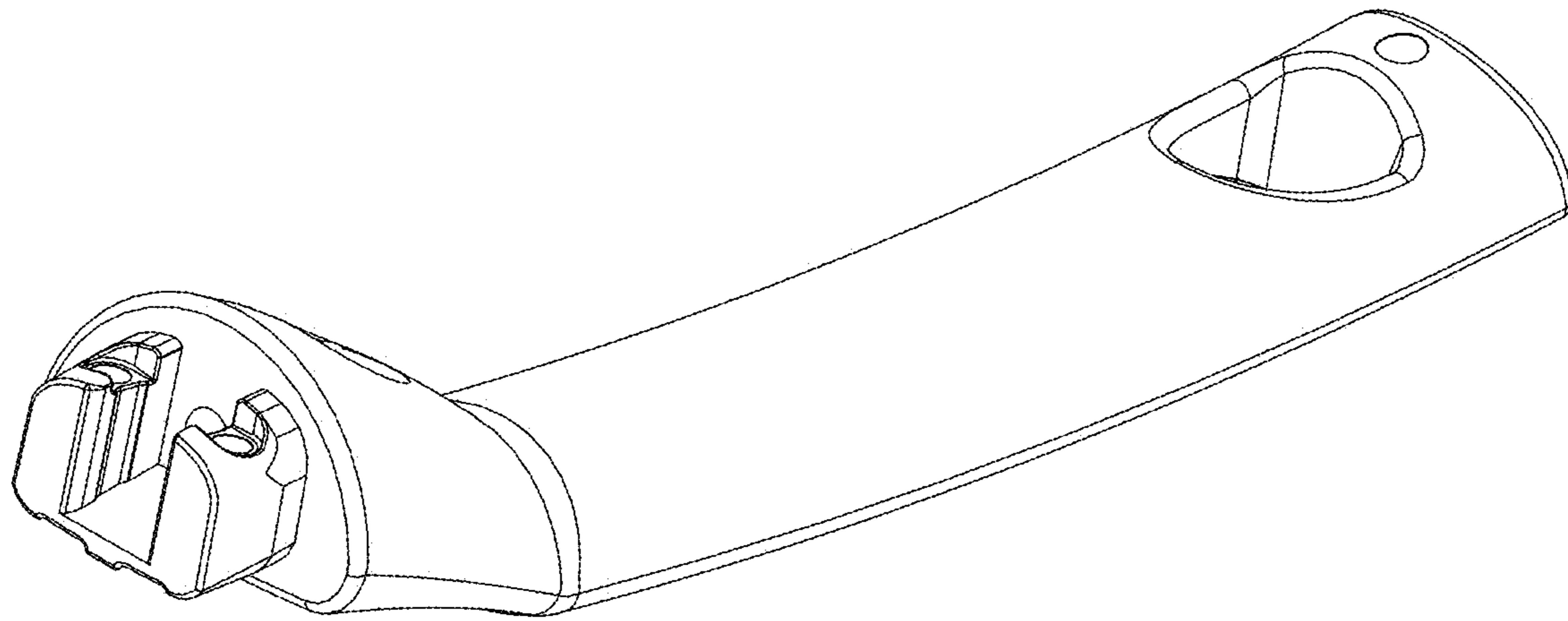


Fig. 7



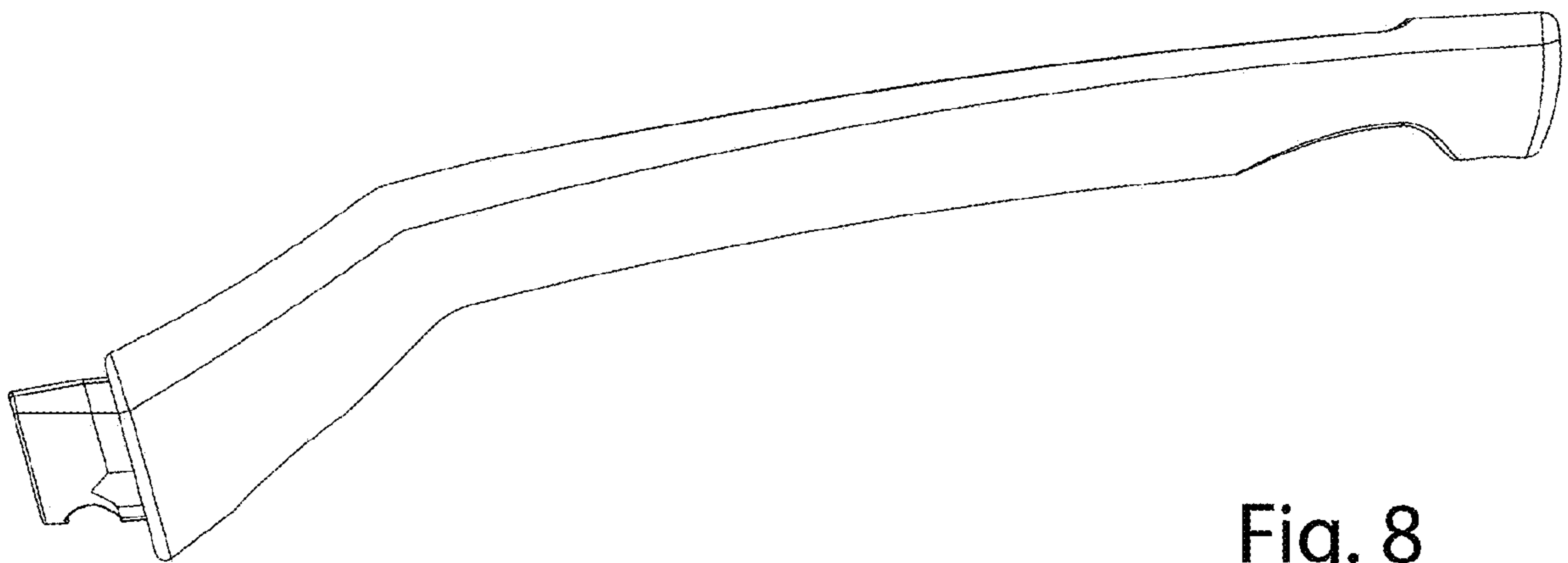


Fig. 8