



US00D924626S

(12) **United States Design Patent**  
**Wang et al.**

(10) **Patent No.:** **US D924,626 S**  
(45) **Date of Patent:** **\*\* Jul. 13, 2021**

- (54) **LID**
- (71) Applicant: **SHEN ZHEN QUICK FIT PLASTIC CO., LTD.**, Shenzhen (CN)
- (72) Inventors: **Qi Wang**, Shenzhen (CN); **Hui Kang**, Shenzhen (CN)
- (\*\*) Term: **15 Years**
- (21) Appl. No.: **29/764,100**
- (22) Filed: **Dec. 28, 2020**
- (51) **LOC (13) Cl.** ..... **07-01**
- (52) **U.S. Cl.**  
USPC ..... **D7/392.1**
- (58) **Field of Classification Search**  
USPC ..... D7/392, 392.1, 396.1, 396.2, 397, 509,  
D7/510, 533, 619.1, 622; D9/435, 443,  
D9/516  
CPC ..... B65D 47/066; B65D 47/2037; A47G  
19/2272  
See application file for complete search history.

(56) **References Cited**

**U.S. PATENT DOCUMENTS**

D534,801 S	1/2007	McMurrey et al.	
D817,088 S	5/2018	Shirley	
D872,522 S *	1/2020	Diener	D9/447
D872,524 S *	1/2020	Bo	D7/392.1
D877,560 S *	3/2020	Lane	D7/392
D886,517 S *	6/2020	Bo	D9/435
D893,245 S *	8/2020	Zhang	D7/392.1
D894,671 S *	9/2020	Huang	D9/443
D894,672 S *	9/2020	Huang	D7/392.1
D896,574 S *	9/2020	Wang	D7/392.1
D900,539 S *	11/2020	Yao	D7/392.1
D906,042 S *	12/2020	Chen	D7/392.1
2010/0224631 A1 *	9/2010	Roth	B65D 51/242 220/288
2012/0187075 A1 *	7/2012	El-Saden	B65D 51/242 215/389

(Continued)

**OTHER PUBLICATIONS**

“Simple Modern: Summit Water Bottle Lid 3-Pack: Flip Lid with Handle, Insulated Straw Lid, and Insulated Chug Lid”. Found online Apr. 16, 2021 at amazon.com. Reference dated Aug. 7, 2019. Retrieved from [https://www.amazon.com/Simple-Modern-Summit-Water-Bottle/dp/B07W7W7R5J/ref=sr\\_1\\_1\\_sspa?](https://www.amazon.com/Simple-Modern-Summit-Water-Bottle/dp/B07W7W7R5J/ref=sr_1_1_sspa?).\*

(Continued)

*Primary Examiner* — Kendra Leslie Hamilton

(57) **CLAIM**

The ornamental design for a lid, as shown and described.

**DESCRIPTION**

FIG. 1 is a top, front, left perspective view of a lid, showing our new design in a first configuration with the straw stowed and handle raised;

FIG. 2 is a bottom, rear, left perspective view thereof;

FIG. 3 is a top, front, right perspective view of the lid of FIG. 1, shown in condition of use and in a second configuration with the straw deployed and handle lowered;

FIG. 4 is a top, rear, right perspective view of the lid of FIG. 1, shown in the second configuration;

FIG. 5 is a front elevation view of the lid of FIG. 1, shown in the first configuration;

FIG. 6 is a rear elevation view thereof;

FIG. 7 is a left side elevation view thereof;

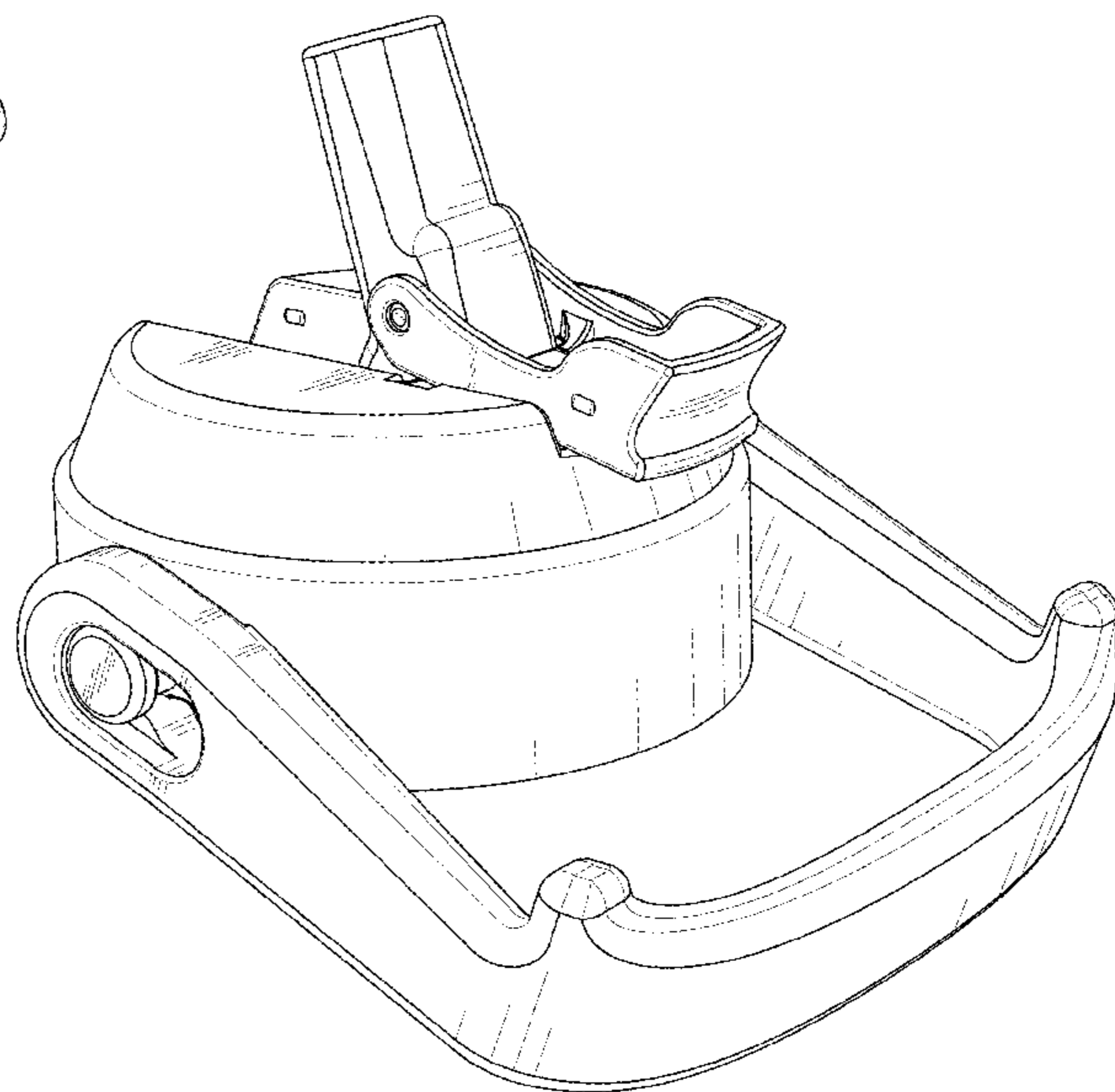
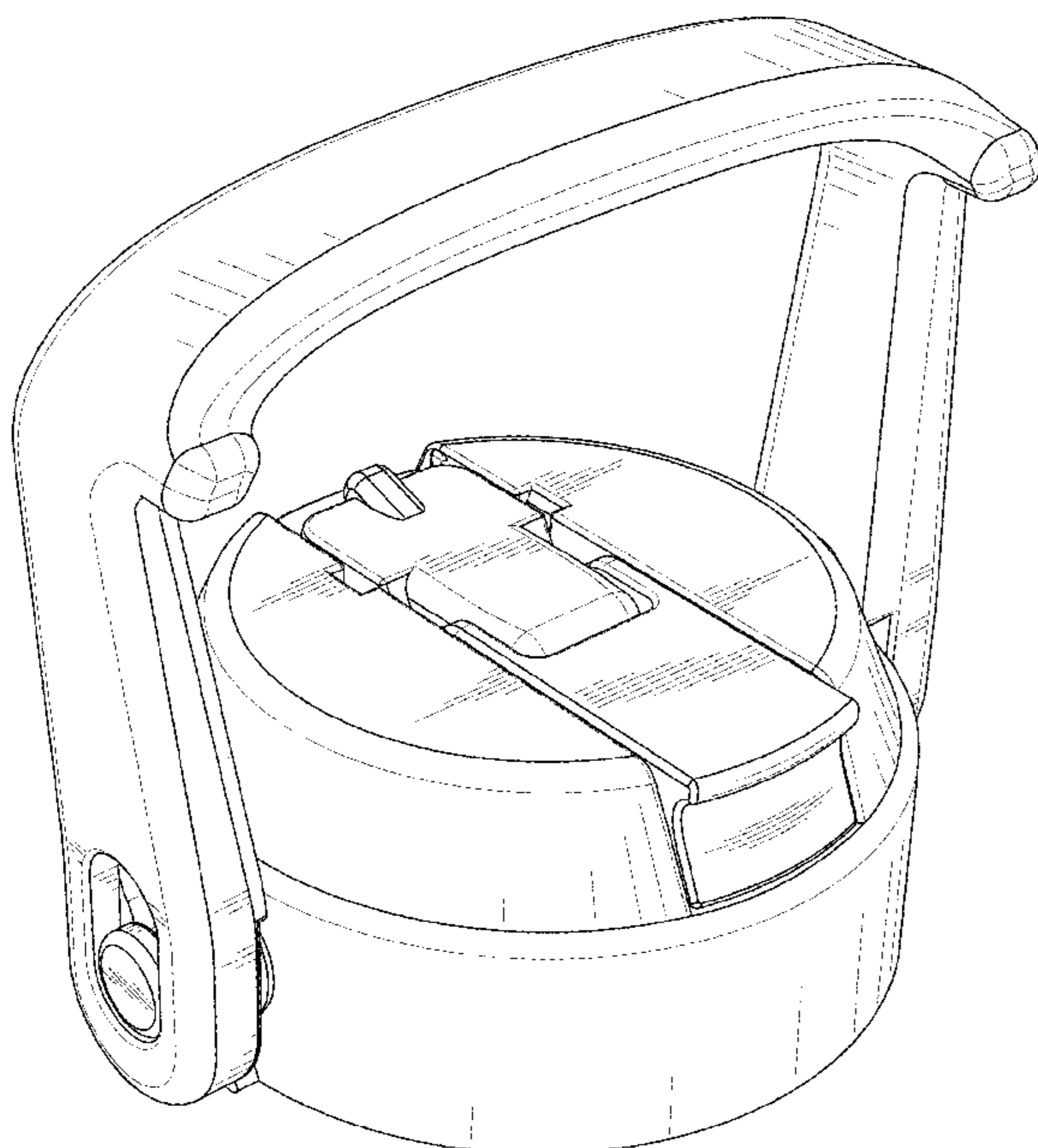
FIG. 8 is a right side elevation view thereof;

FIG. 9 is a top plan view thereof; and,

FIG. 10 is a bottom plan view thereof.

In the drawings, the broken lines on the lid depict portions of the lid that form no part of the claimed design. The broken lines showing a bottle in FIG. 3 depict environment and form no part of the claimed design.

**1 Claim, 10 Drawing Sheets**



(56)

**References Cited**

U.S. PATENT DOCUMENTS

2016/0318693 A1\* 11/2016 Hein ..... B65D 51/242

OTHER PUBLICATIONS

“Lifefactory: Glass Water Bottle with Straw Cap and Silicone Sleeve”. Found online Jun. 28, 2017 at amazon.com. Reference dated Jul. 9, 2013. Retrieved from [https://www.amazon.com/Lifefactory-22-Ounce-BPA-Free-Bottle-Silicone/dp/B00DUHFH6C/ref=sr\\_1\\_22?ie=UTF8&qid=1498675614&sr=8-22&keywords=life+factory.\\*](https://www.amazon.com/Lifefactory-22-Ounce-BPA-Free-Bottle-Silicone/dp/B00DUHFH6C/ref=sr_1_22?ie=UTF8&qid=1498675614&sr=8-22&keywords=life+factory.*)

“DYLN: Flexible Handle Sports Cap with Silicone Straw”. Found online Apr. 16, 2021 at amazon.com. Reference dated Oct. 10, 2020. Retrieved from [https://www.amazon.com/dp/B08L1G81PT/ref=sspa\\_dk\\_detail\\_6?.\\*](https://www.amazon.com/dp/B08L1G81PT/ref=sspa_dk_detail_6?.*)

“SendeStar Straw Lid”. Found online Apr. 16, 2021 at amazon.com. Reference dated Nov. 28, 2019. Retrieved from [https://www.amazon.com/Sendestar-Straw-Sports-Bottle-Straws/dp/B0823B9XJ3.\\*](https://www.amazon.com/Sendestar-Straw-Sports-Bottle-Straws/dp/B0823B9XJ3.*)

\* cited by examiner

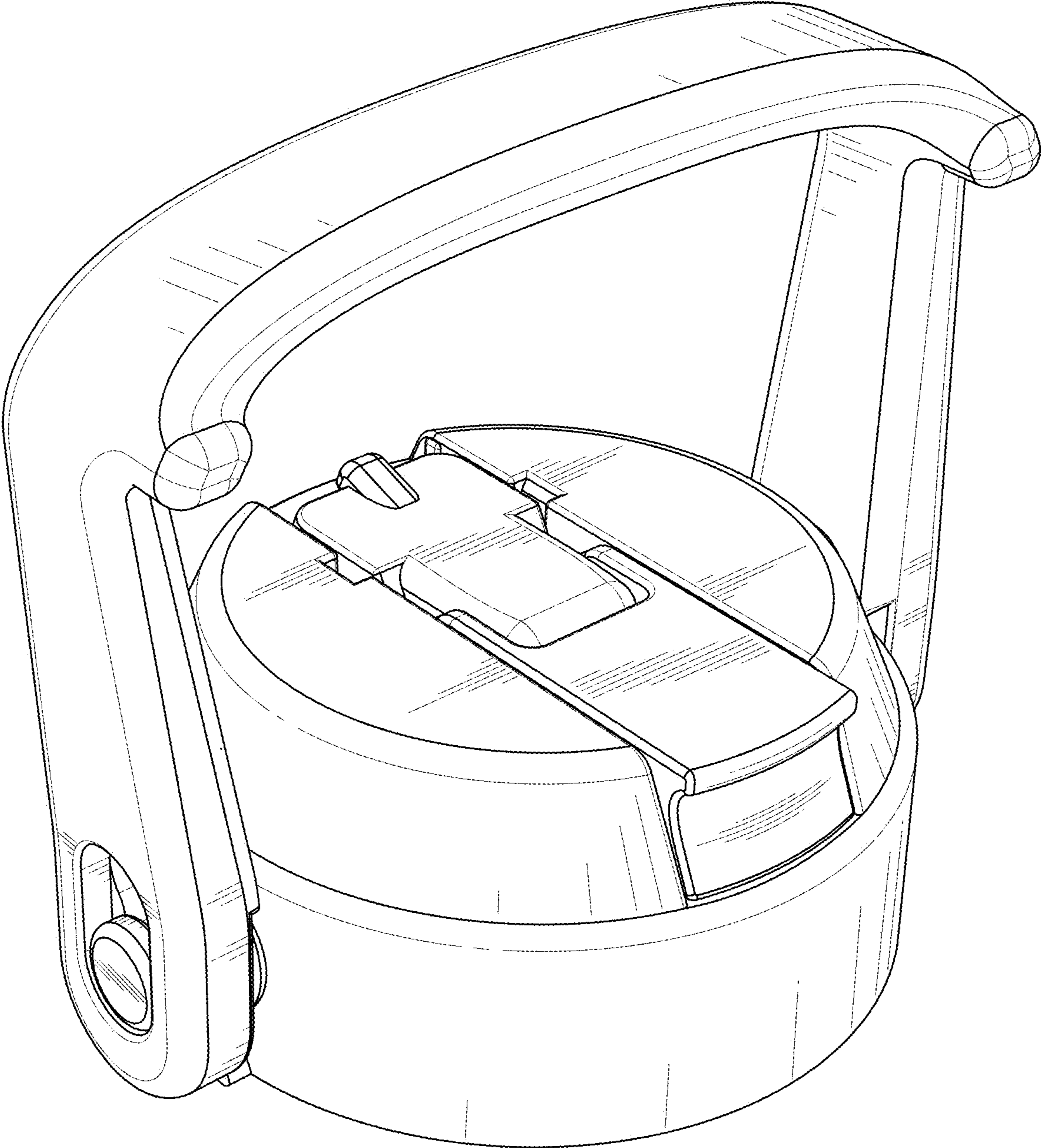


FIG.1

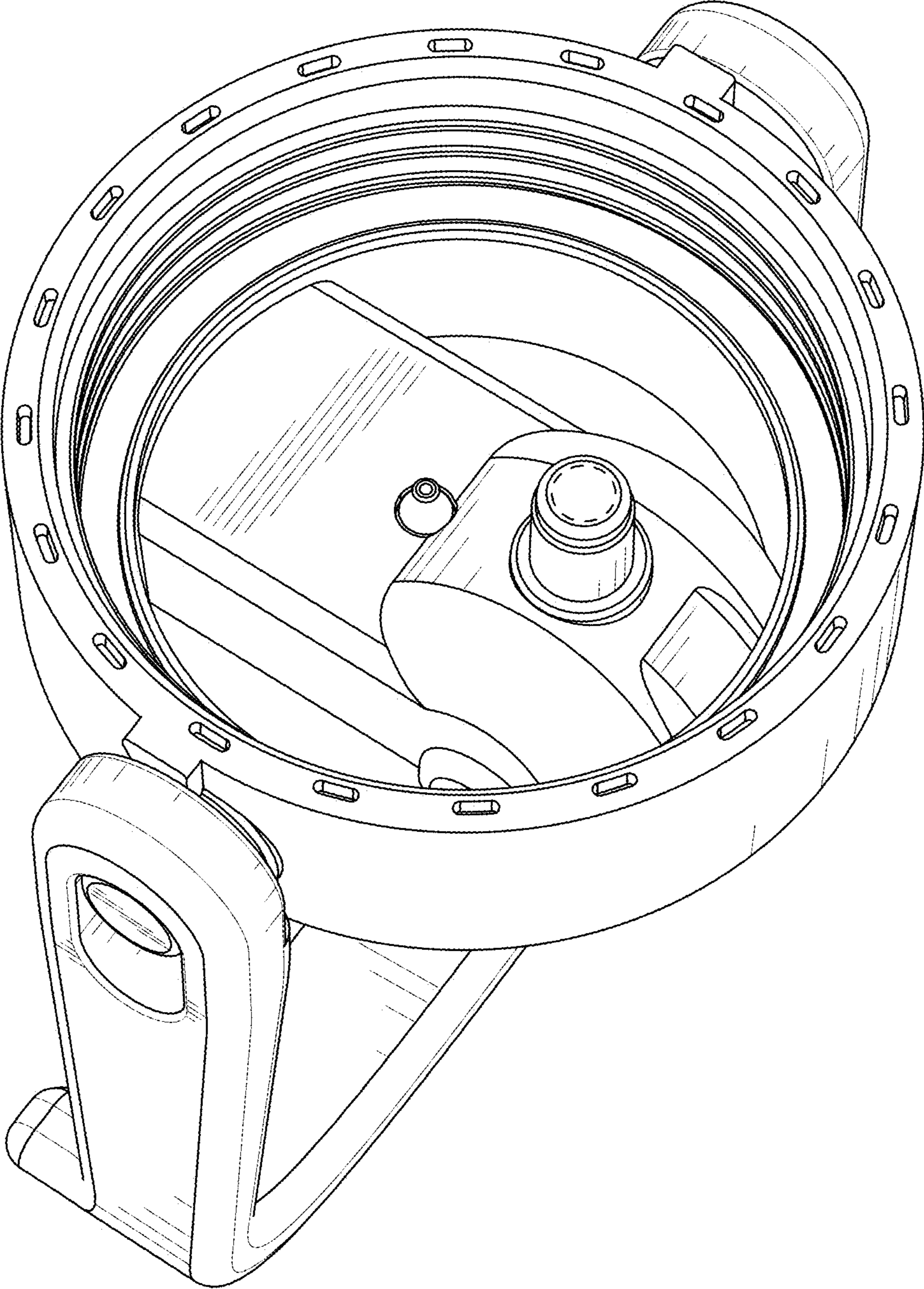


FIG.2

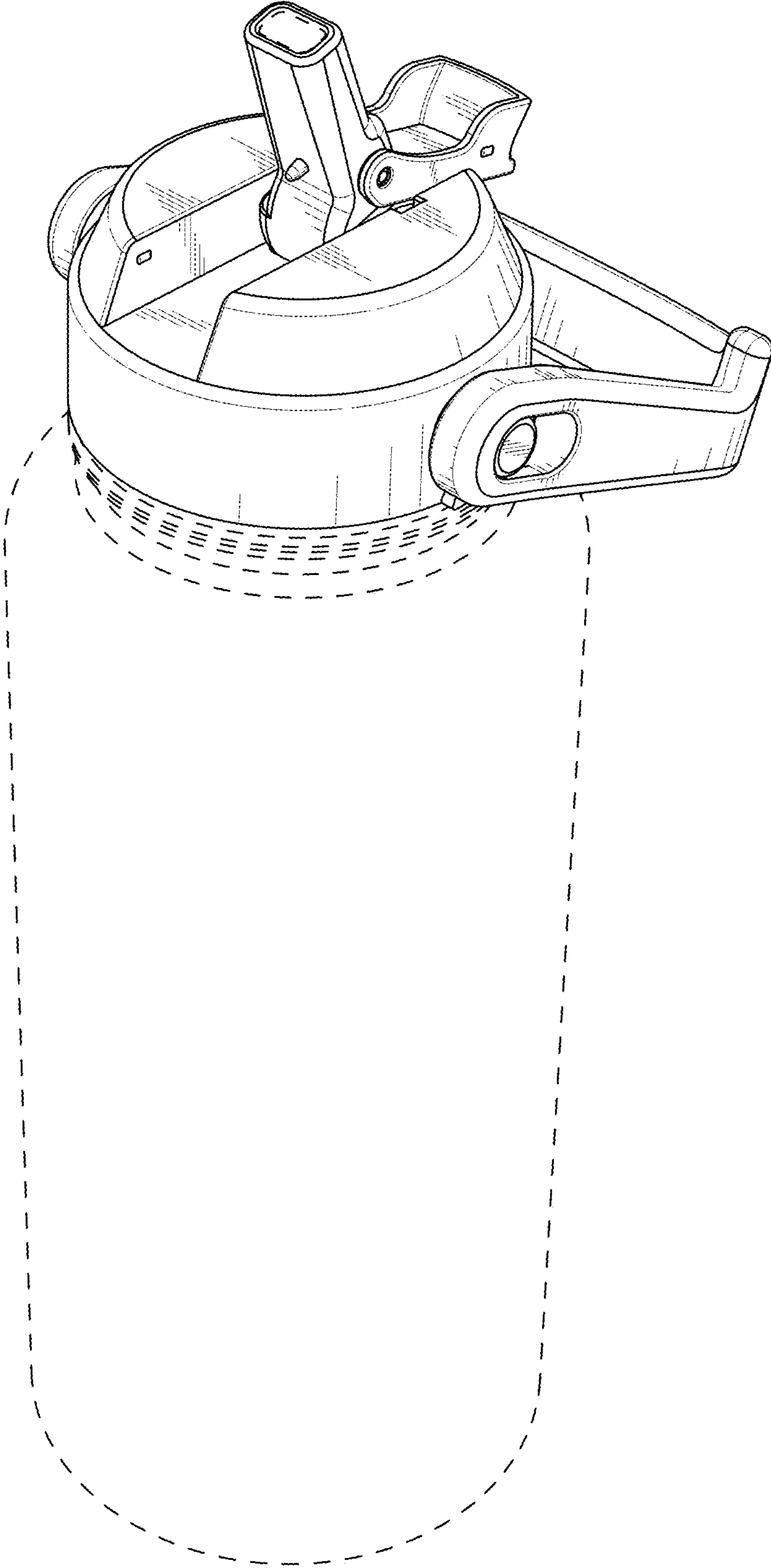


FIG.3

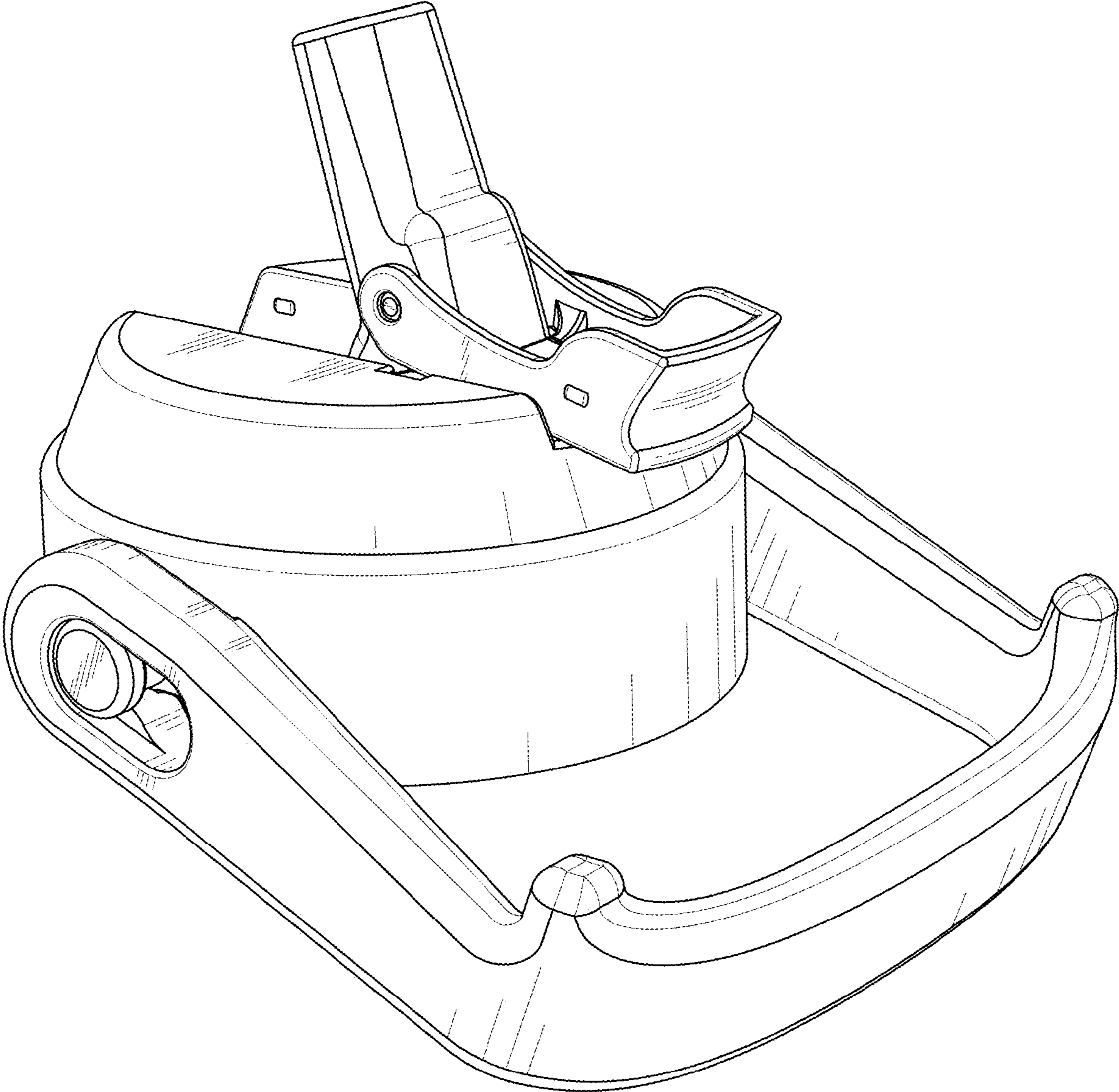


FIG.4

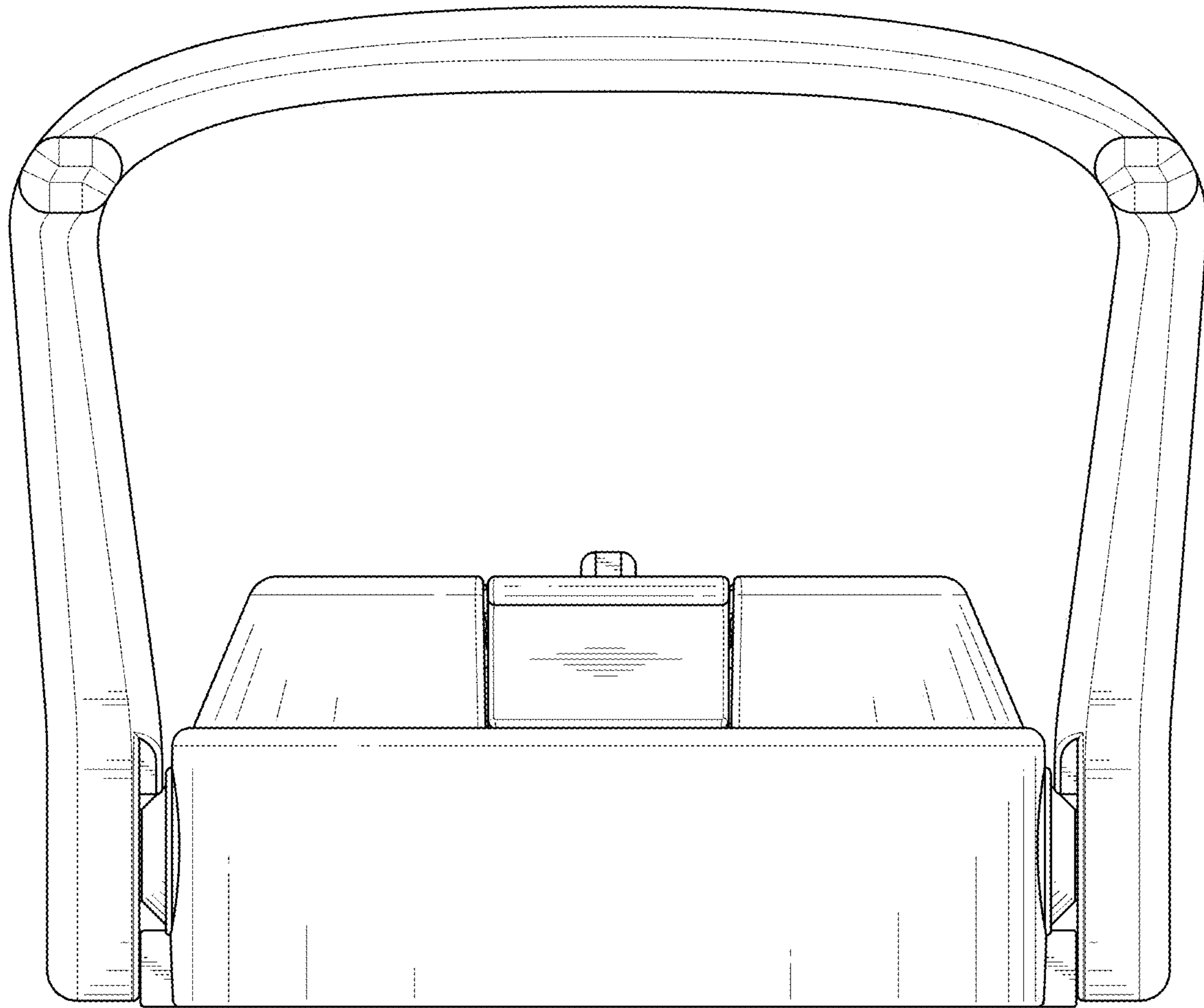


FIG.5

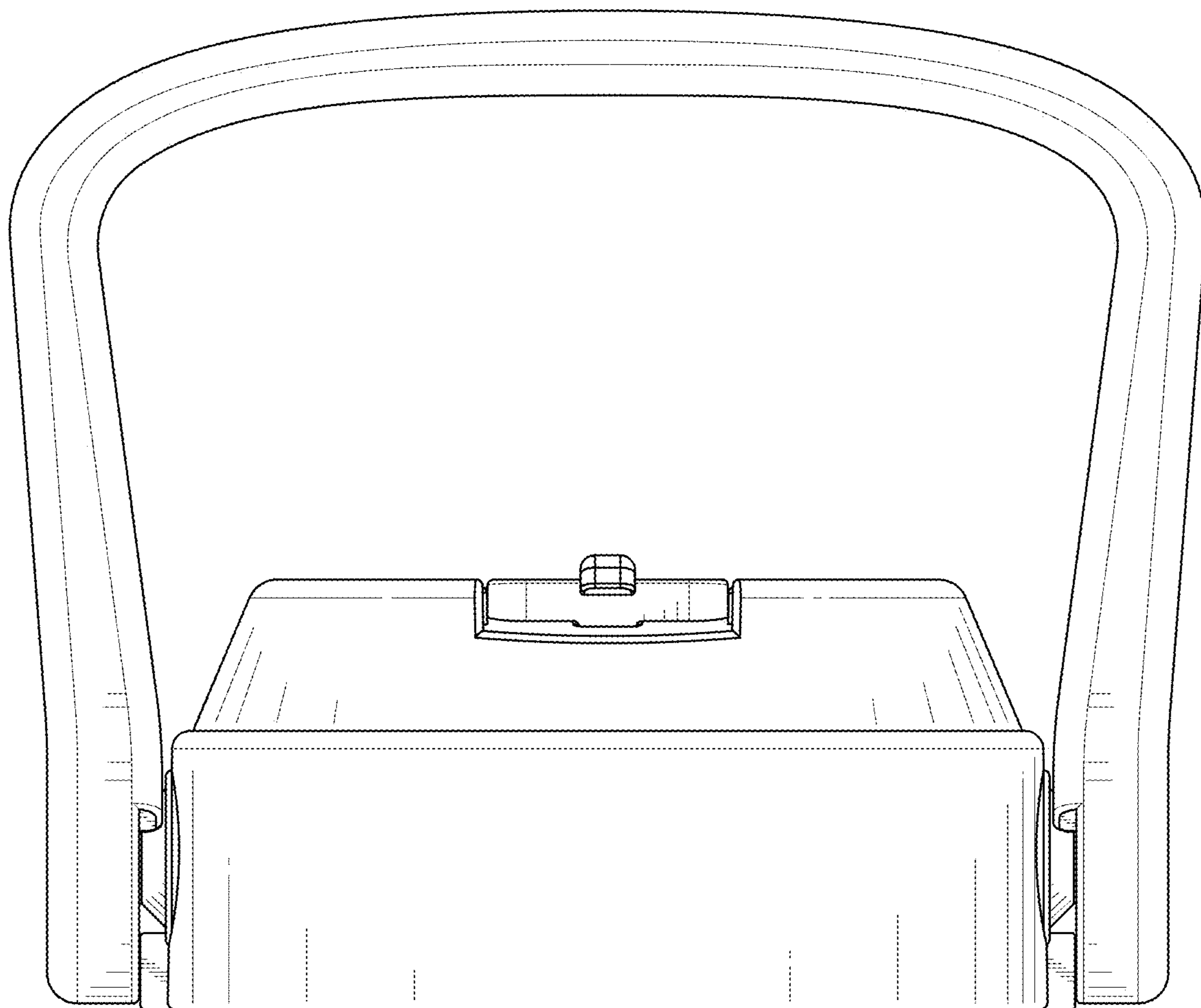


FIG.6



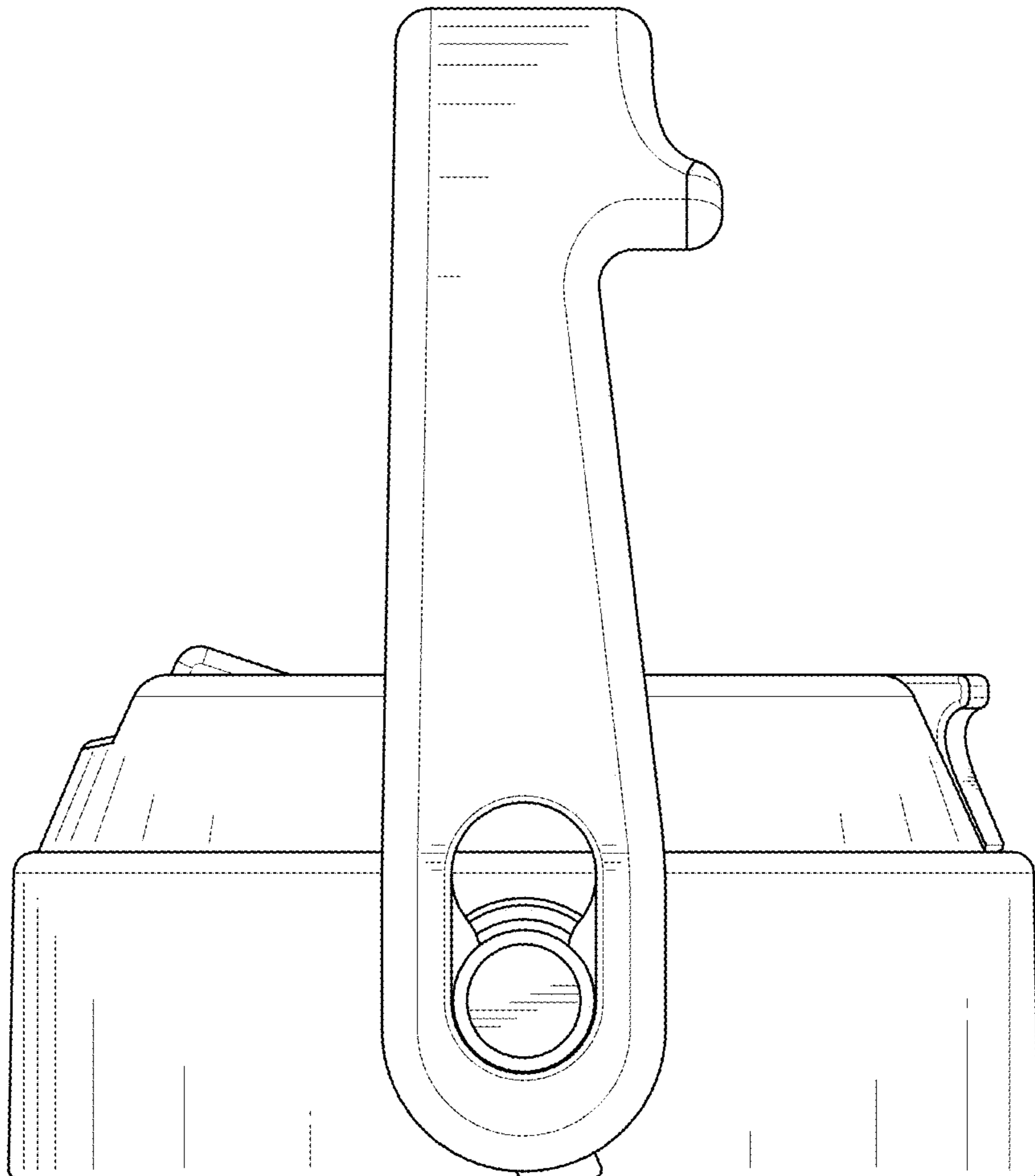


FIG. 7

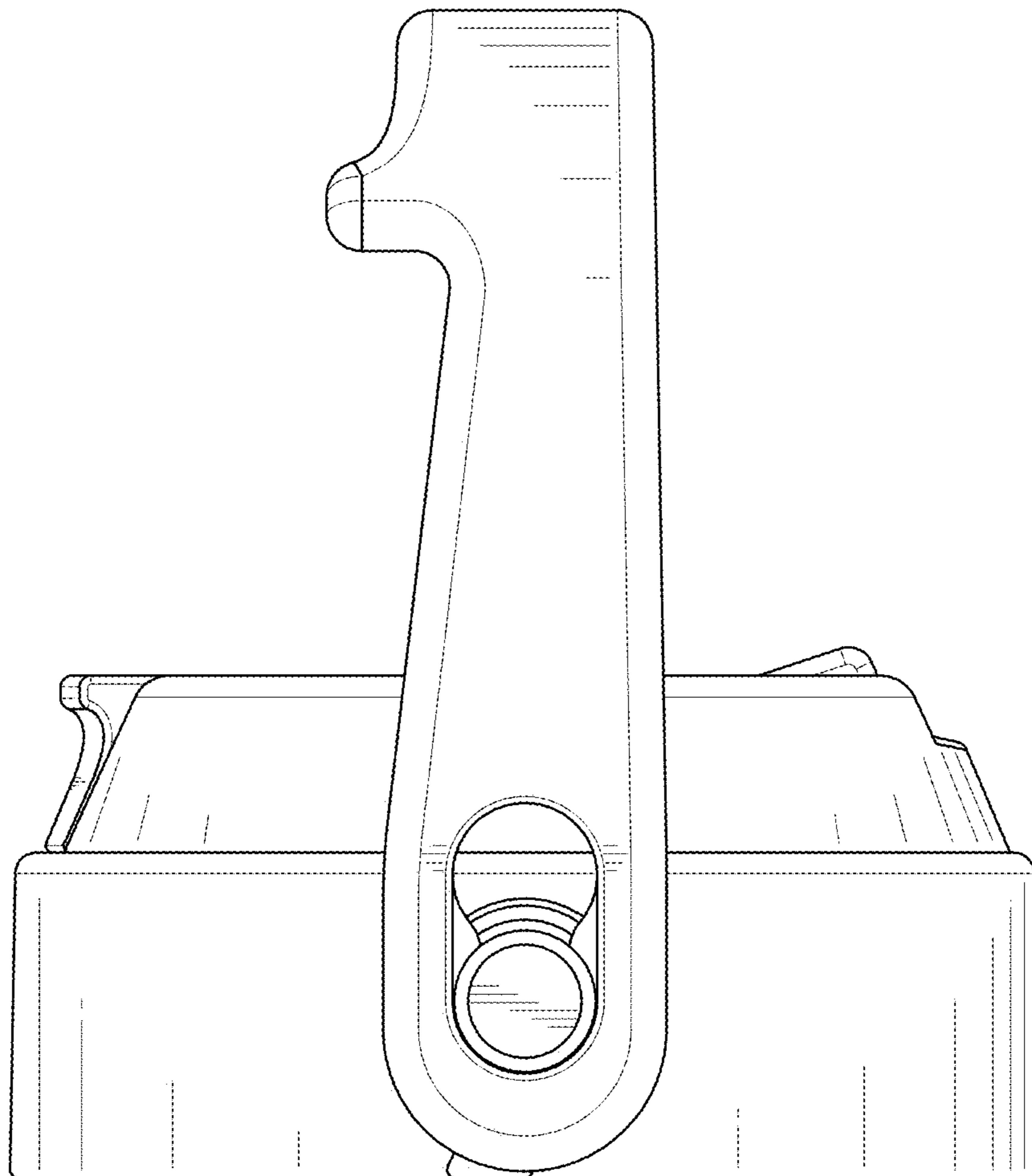


FIG. 8

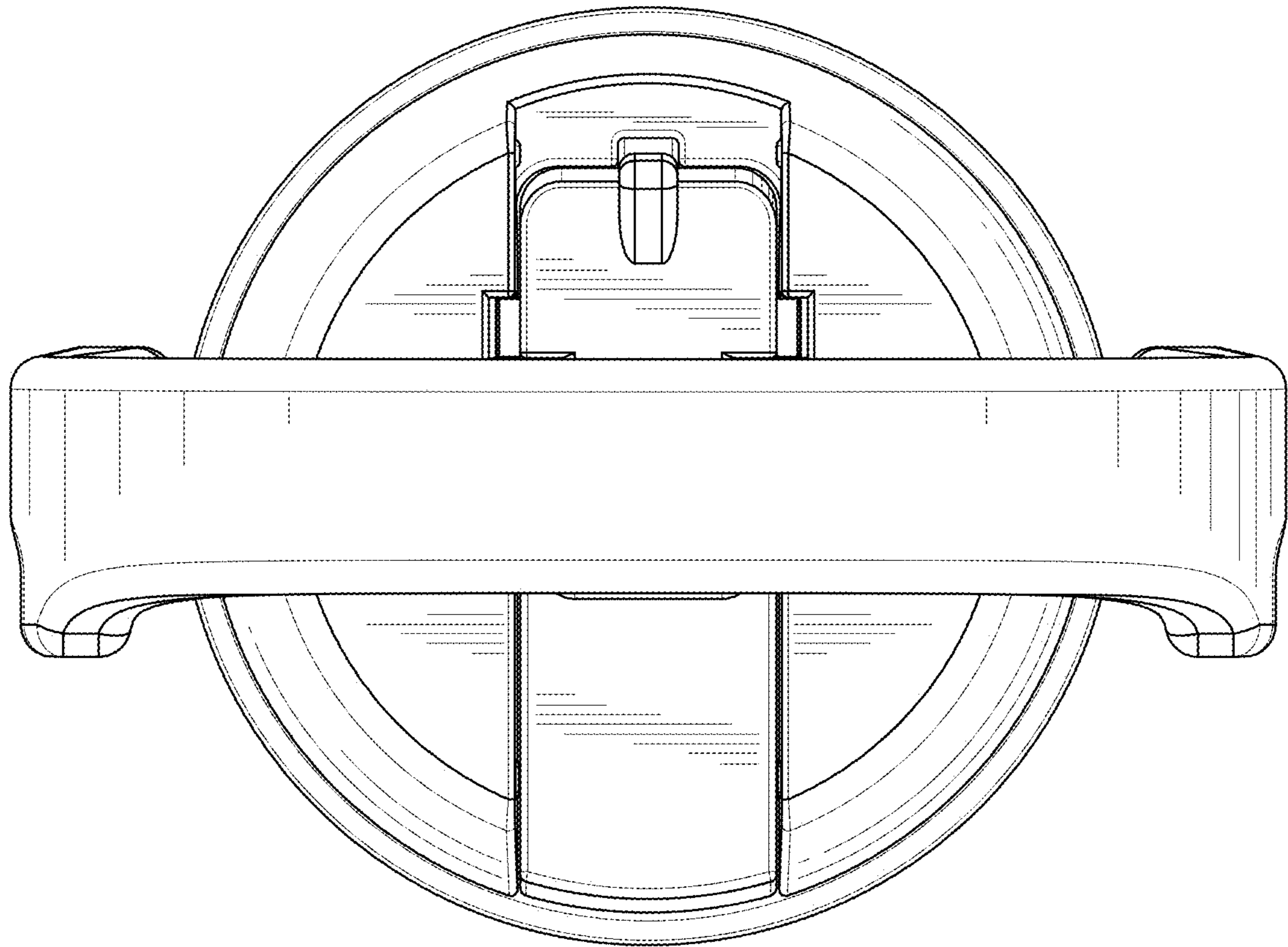


FIG.9

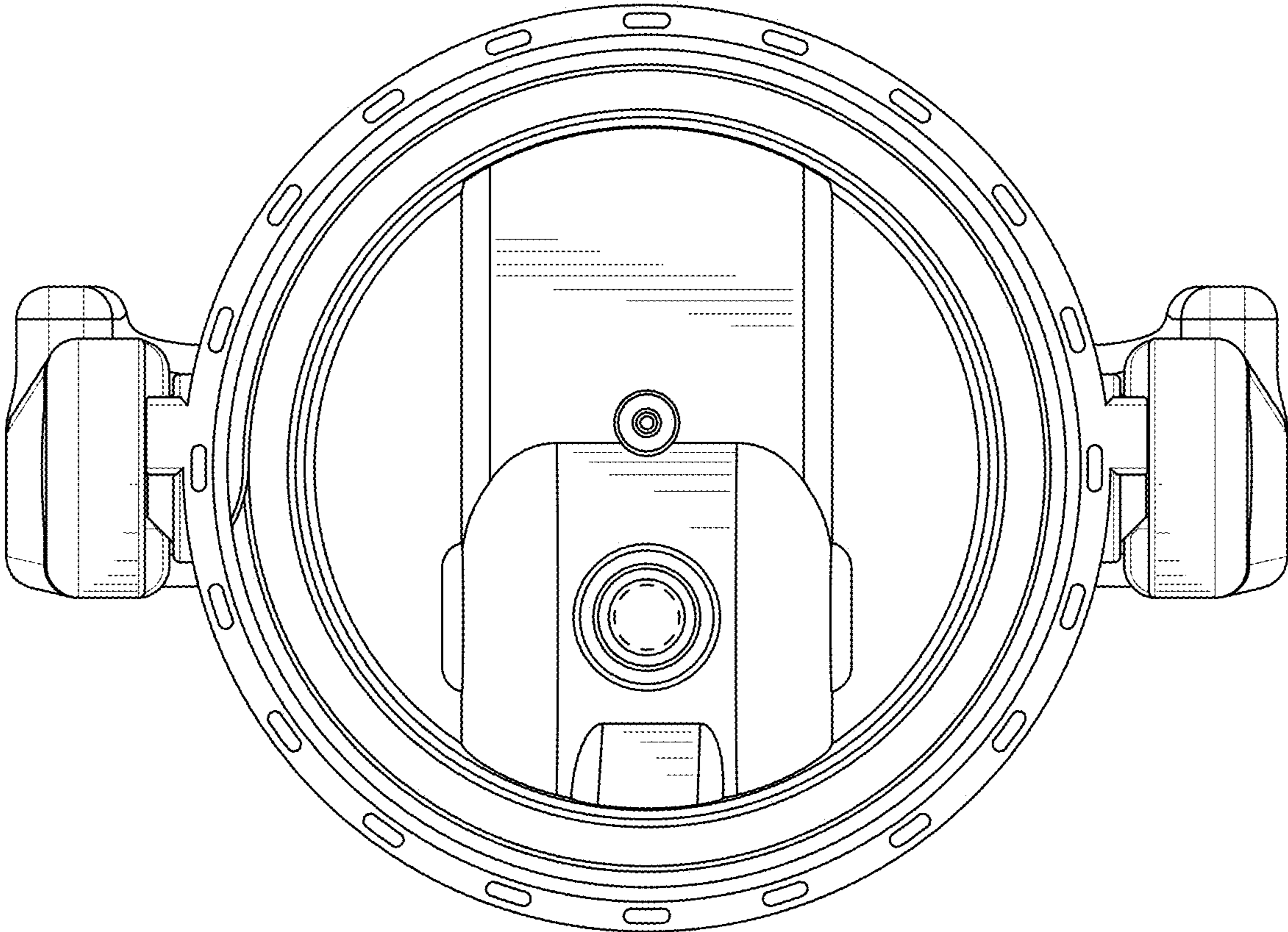


FIG.10