



US00D924625S

(12) **United States Design Patent**
Morales

(10) **Patent No.:** **US D924,625 S**

(45) **Date of Patent:** **** Jul. 13, 2021**

(54) **CONTAINER LID**

(71) Applicant: **POLIMES S.A.S**, Bogotá (CO)

(72) Inventor: **Hernando Morales**, Bogotá (CO)

(73) Assignee: **POLIMES S.A.S.**, Bogotá (CO)

(**) Term: **15 Years**

(21) Appl. No.: **29/723,670**

(22) Filed: **Feb. 10, 2020**

(30) **Foreign Application Priority Data**

Dec. 13, 2019 (CO) NC2019/0014077

(51) **LOC (13) Cl.** **07-01**

(52) **U.S. Cl.**
USPC **D7/392.1; D7/391**

(58) **Field of Classification Search**
USPC D9/434, 499, 435; D7/391, 392, 396.1,
D7/511, 538, 542, 601, 602, 605, 629,
D7/705, 708, 354, 360, 392.1
CPC B65D 2543/00712; B65D 45/16
See application file for complete search history.

(56) **References Cited**

U.S. PATENT DOCUMENTS

D532,294 S * 11/2006 Fager D9/435
D647,358 S * 10/2011 Smyers D7/391
D676,274 S * 2/2013 Tong D7/391
D682,609 S * 5/2013 Lindsay D7/392.1
D694,589 S * 12/2013 Duvigneau D7/629
D811,160 S * 2/2018 Evans D7/392.1
D820,636 S * 6/2018 Zhang D7/392.1
D825,284 S * 8/2018 Morales D7/629
D854,878 S * 7/2019 Duvigneau D7/391

D861,416 S * 10/2019 Zhang D7/392.1
D879,549 S * 3/2020 Zhang D7/391
D892,541 S * 8/2020 Evans D7/392.1
D908,420 S * 1/2021 Liu D7/391

OTHER PUBLICATIONS

Amazon. Fullstar Food Storage Containers with Lids—Plastic Food Containers with Lids—Plastic Containers with Lids Storage (20 Pack)—Plastic Storage Containers with Lids Food Container Set BPA-Free. Sep. 17, 2019. <https://www.amazon.com/Food-Storage-Containers-Lids-Container/dp/B07VQ69WP5> (Year: 2019).*

* cited by examiner

Primary Examiner — Darcey E Gottschalk

(74) *Attorney, Agent, or Firm* — Ladas & Parry LLP;
Malcolm J. MacDonald

(57) **CLAIM**

The ornamental design for a container lid, as shown and described.

DESCRIPTION

FIG. 1 is a front elevational view of a container lid showing my new design.

FIG. 2 is a rear elevational view thereof;

FIG. 3 is a right side elevational view thereof;

FIG. 4 is a left side elevational view thereof;

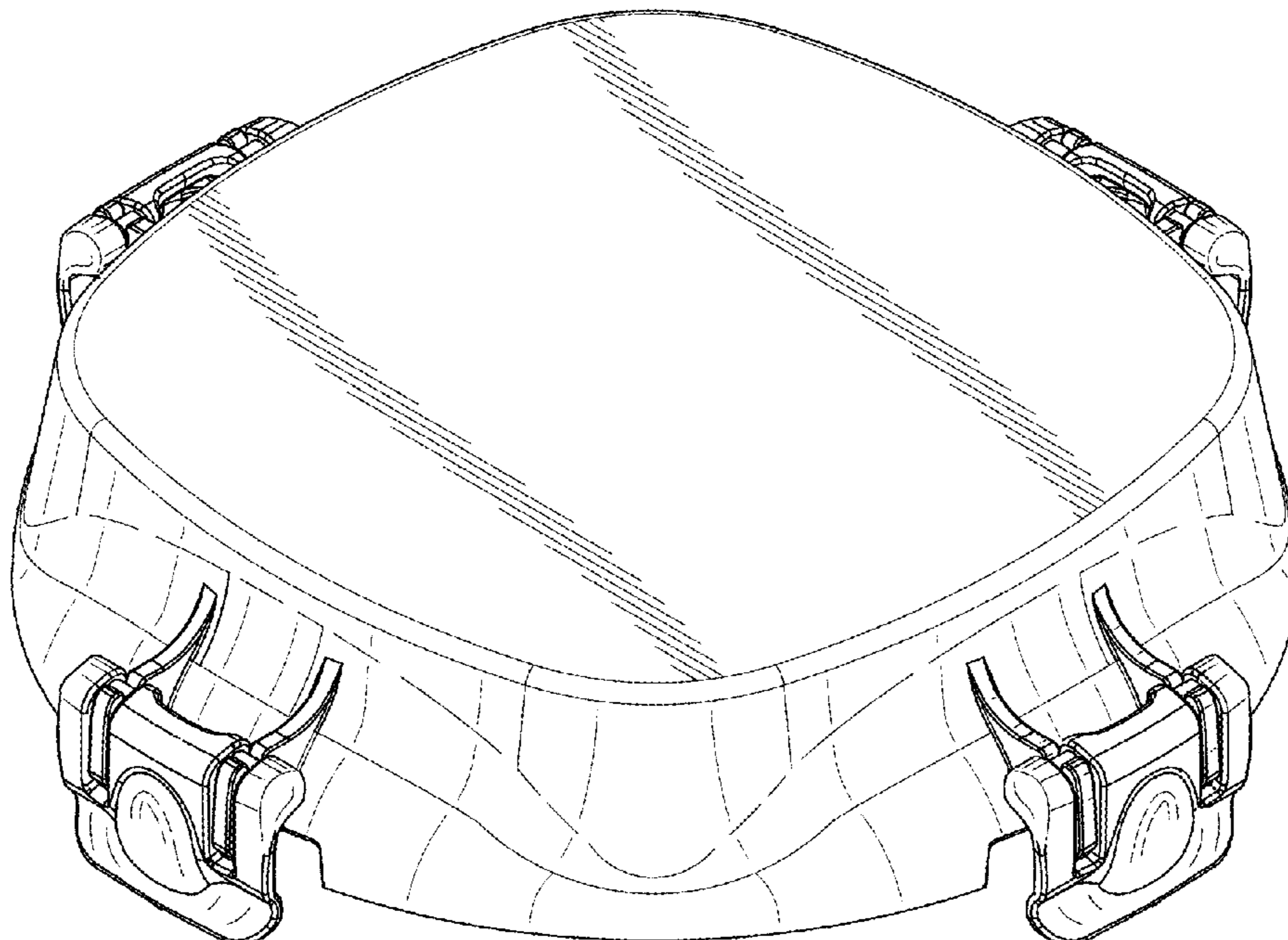
FIG. 5 is top plan view thereof;

FIG. 6 is a bottom plan view thereof; and,

FIG. 7 is a front perspective view thereof.

The broken lines depict portions of the container lid that form no part of the claim.

1 Claim, 7 Drawing Sheets



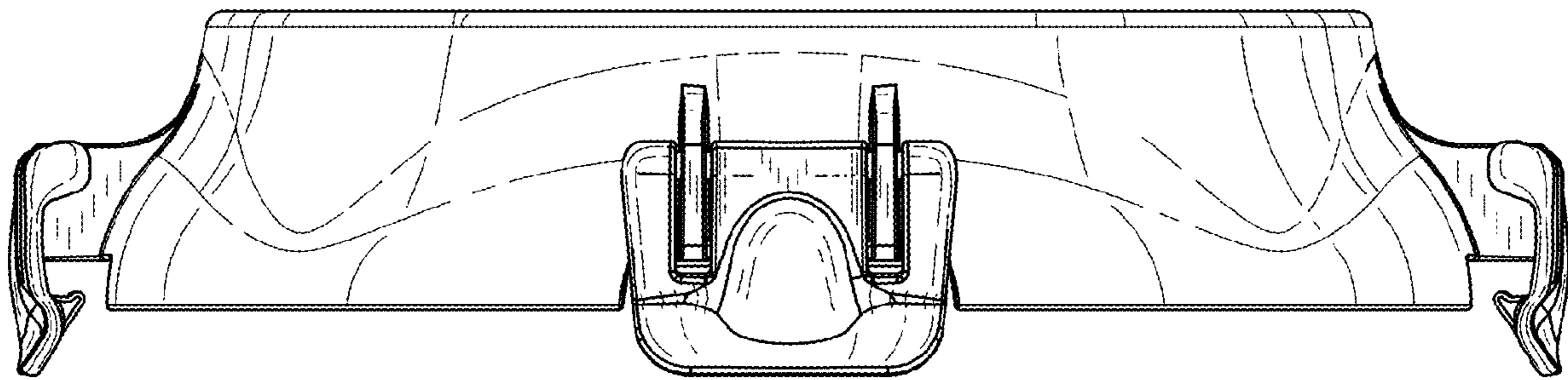


FIG. 1

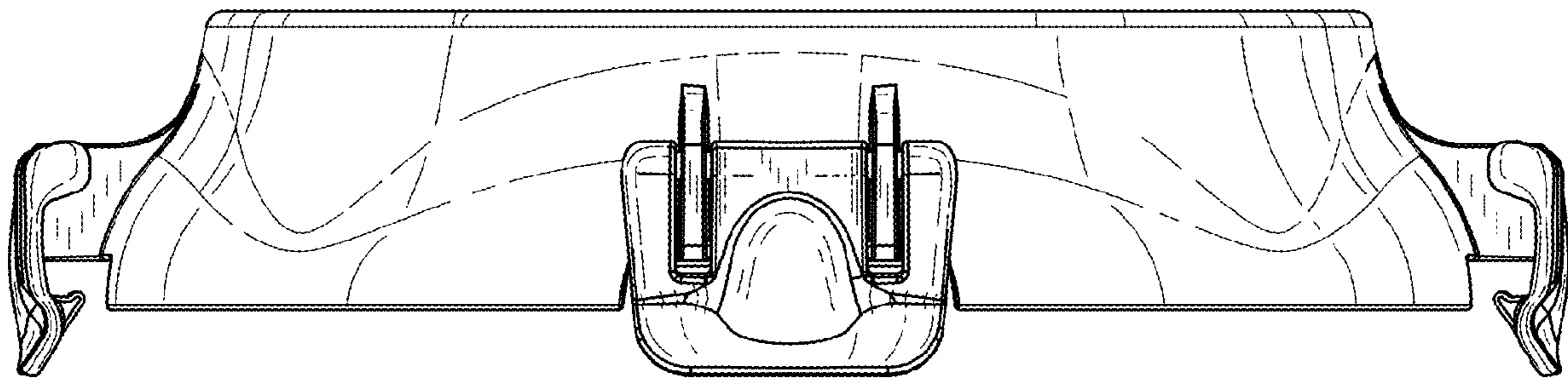


FIG. 2

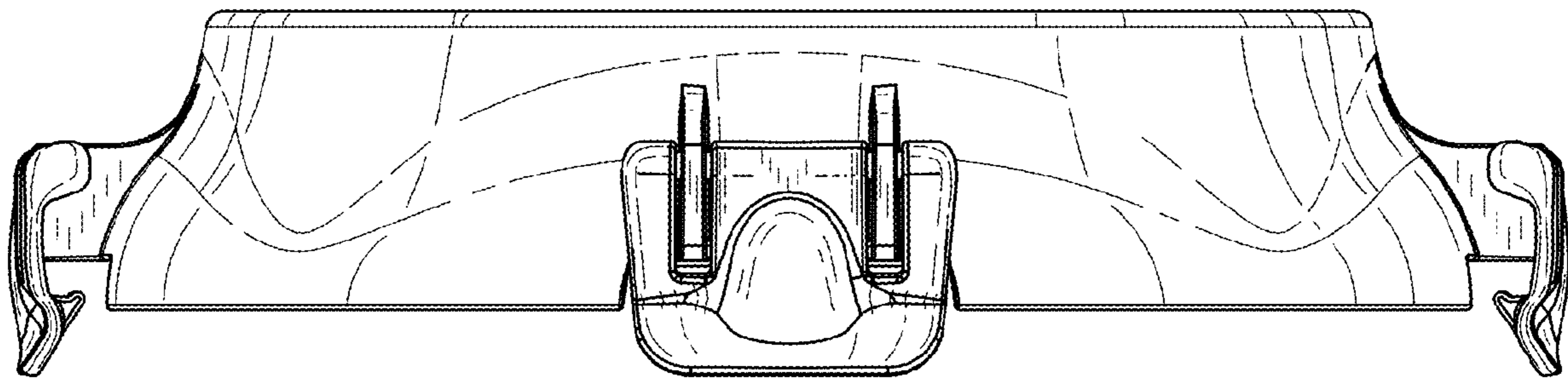


FIG. 3

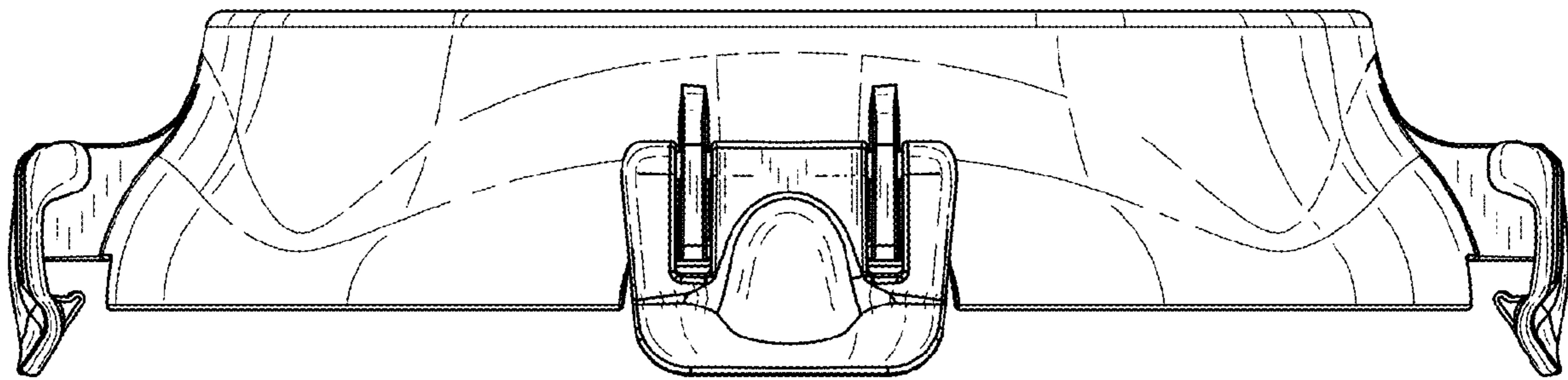


FIG. 4

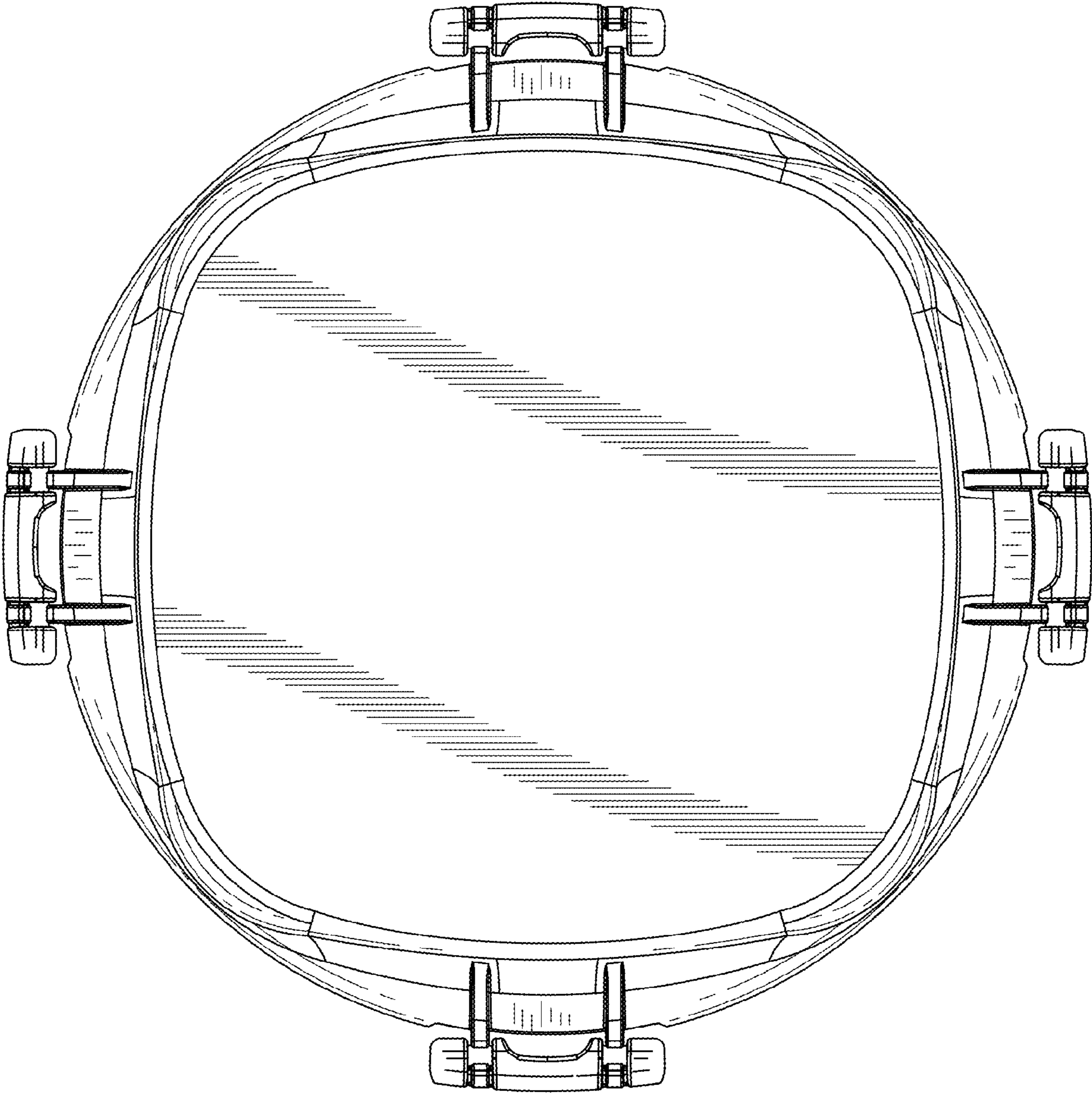


FIG. 5

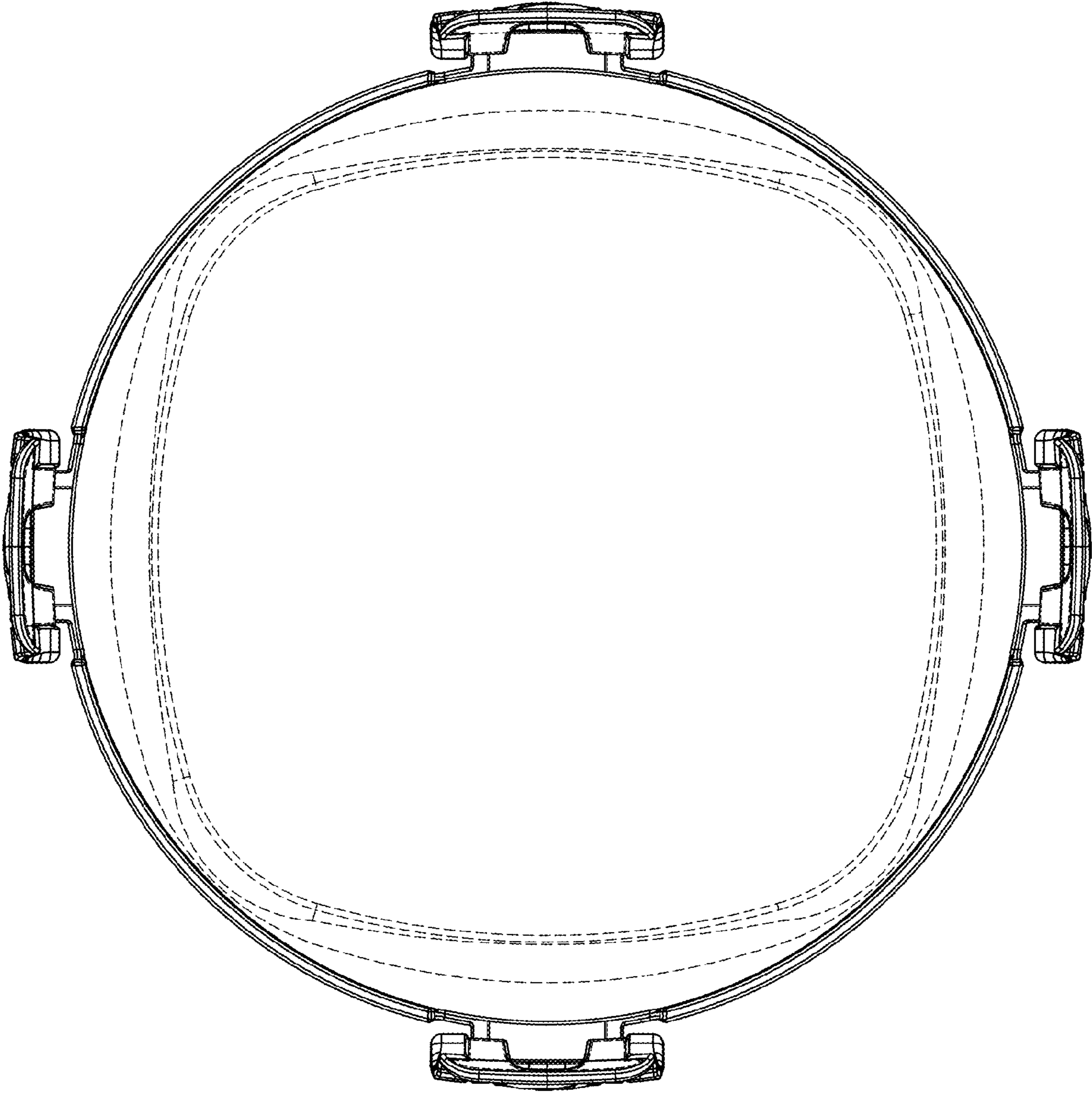


FIG. 6

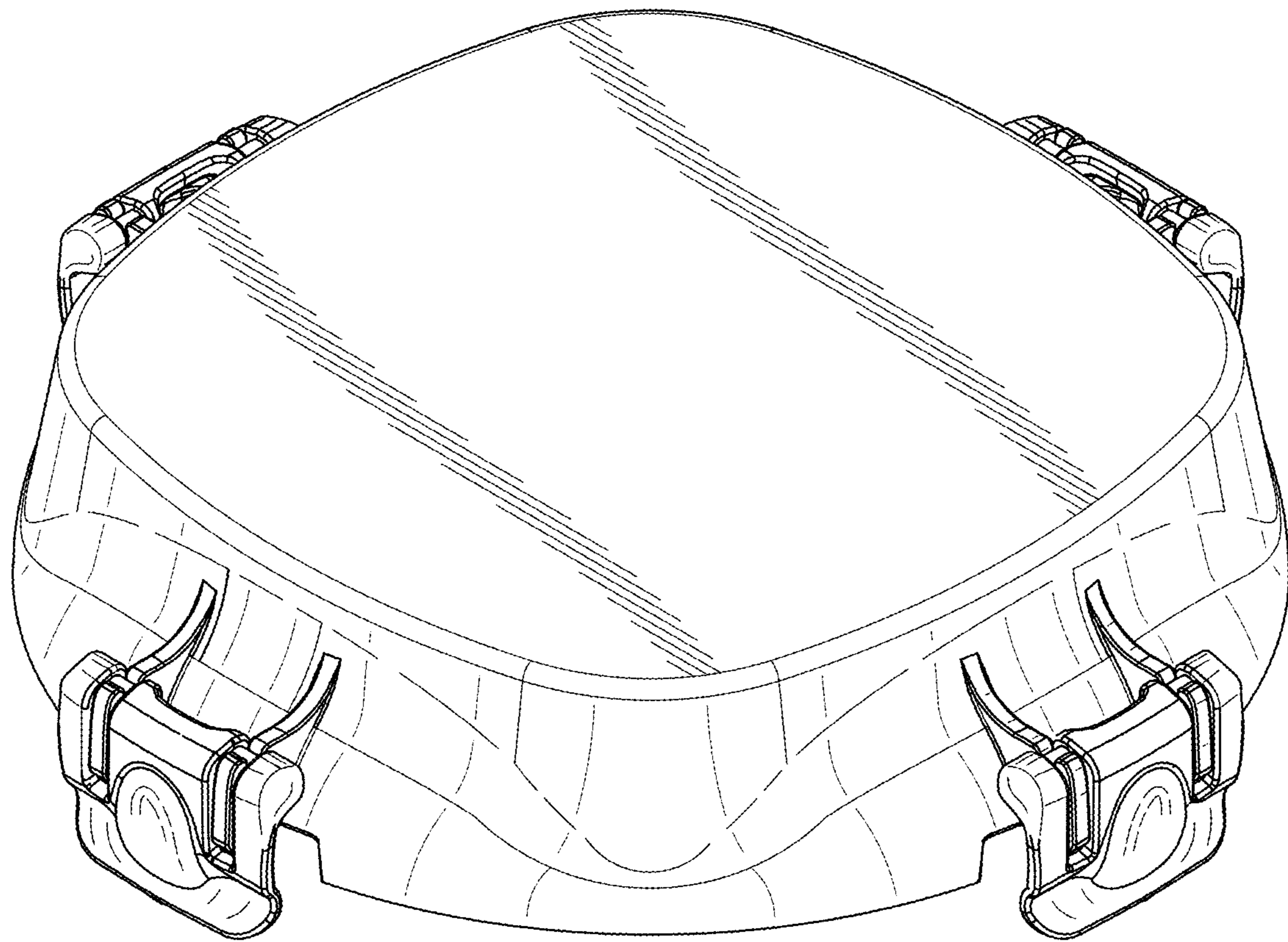


FIG. 7