



US00D924624S

(12) **United States Design Patent**
Huang

(10) **Patent No.:** **US D924,624 S**
(45) **Date of Patent:** **** Jul. 13, 2021**

- (54) **WATER BOTTLE CAP**
- (71) Applicant: **Shen Zhen Xin Yue Tang Plastic & Hardware Co., Ltd**, Shenzhen (CN)
- (72) Inventor: **Lihua Huang**, Jiujiang (CN)
- (73) Assignee: **SHEN ZHEN XIN YUE TANG PLASTIC & HARDWARE CO., LTD**, Shenzhen (CN)

(**) Term: **15 Years**

(21) Appl. No.: **29/719,200**

(22) Filed: **Jan. 2, 2020**

(51) **LOC (13) Cl.** **07-01**

(52) **U.S. Cl.**
USPC **D7/392.1; D7/396.2; D9/449**

(58) **Field of Classification Search**
USPC D3/201, 202; D7/300, 300.1, 317, 321, D7/392, 392.1, 396.2, 601, 602, 619.1, D7/629; D9/434-436, 440, 443-447, D9/449, 452-454, 499
CPC B65D 41/0435; B65D 47/121; B65D 47/122; B65D 47/0895; B65D 51/18; B65D 51/242; B65D 53/00; B65D 81/3869

See application file for complete search history.

(56) **References Cited**

U.S. PATENT DOCUMENTS

- D547,607 S * 7/2007 Forsman D7/396.2
- D682,034 S * 5/2013 El-Saden D7/510
- D742,230 S * 11/2015 Charles D9/449
- D748,943 S * 2/2016 Miller D7/392.1
- D781,104 S * 3/2017 Cerasani D7/510
- D814,855 S * 4/2018 Hammer D7/392.1
- D838,549 S * 1/2019 Gu D7/510
- D862,156 S * 10/2019 Meyers D7/392
- D862,985 S * 10/2019 Backs D7/511
- D872,522 S * 1/2020 Diener D7/392.1

- D872,524 S * 1/2020 Bo D7/392.1
- D878,853 S * 3/2020 Omdahl, II D7/392.1
- D881,643 S * 4/2020 Fleischhut D7/396.2
- D883,736 S * 5/2020 Jacobsen D7/392.1
- D884,419 S * 5/2020 Backs D7/396.2
- D887,776 S * 6/2020 Bo D7/392.1
- D893,245 S * 8/2020 Zhang D7/392.1
- D894,671 S * 9/2020 Huang D7/392.1
- D894,672 S * 9/2020 Huang D7/392.1
- D897,760 S * 10/2020 Feng D7/392.1
- D897,761 S * 10/2020 Zhang D7/392.1

(Continued)

OTHER PUBLICATIONS

Rolram. Water Bottle Sports Water Bottle, Water Bottle with Straw. No date specified. <https://rolram68.com/products/water-bottle-sports-water-bottle-water-bottle-with-straw-plastic-water-water> (Year: 0).*

(Continued)

Primary Examiner — Darcey E Gottschalk
(74) *Attorney, Agent, or Firm* — Bayramoglu Law Offices LLC

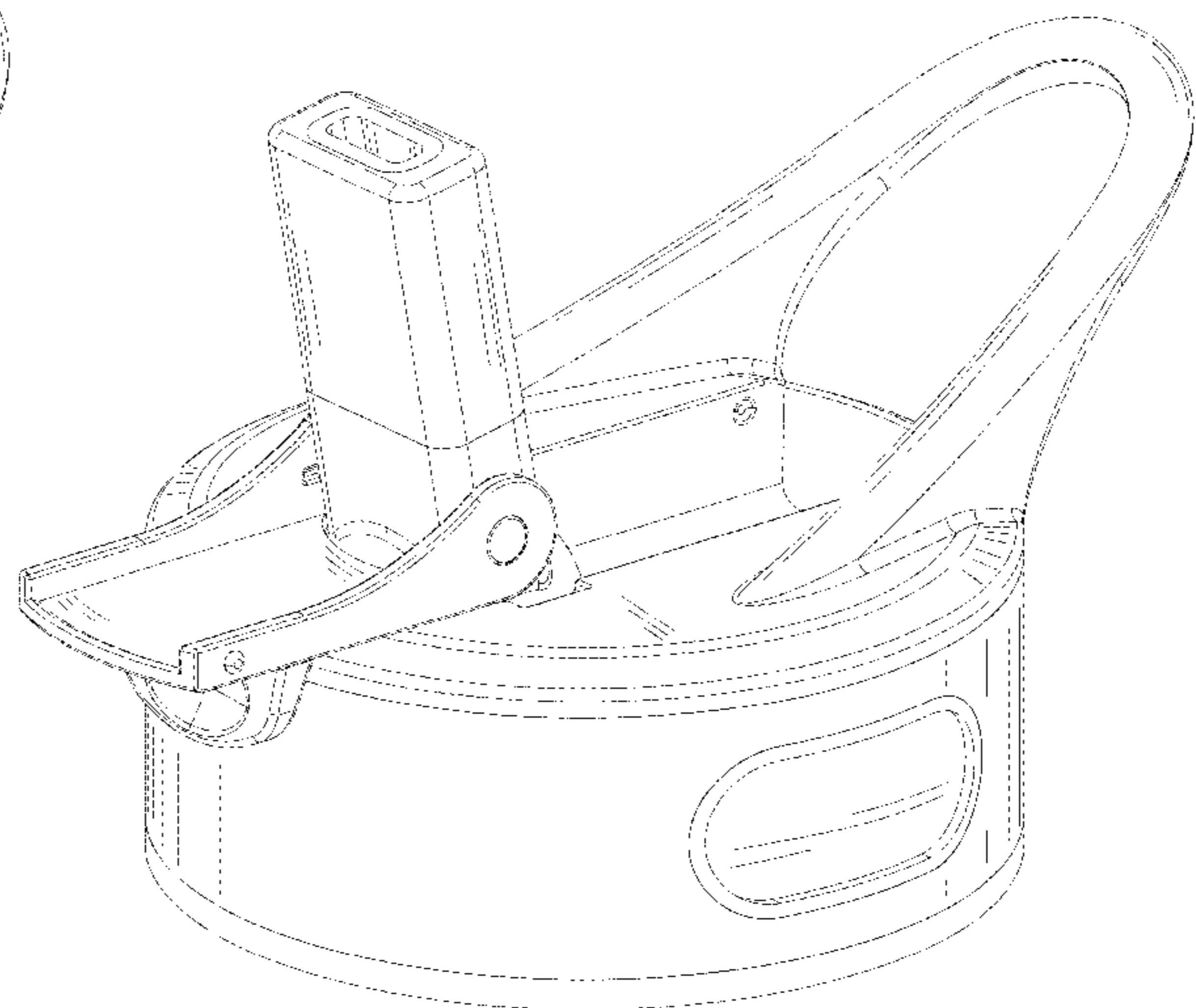
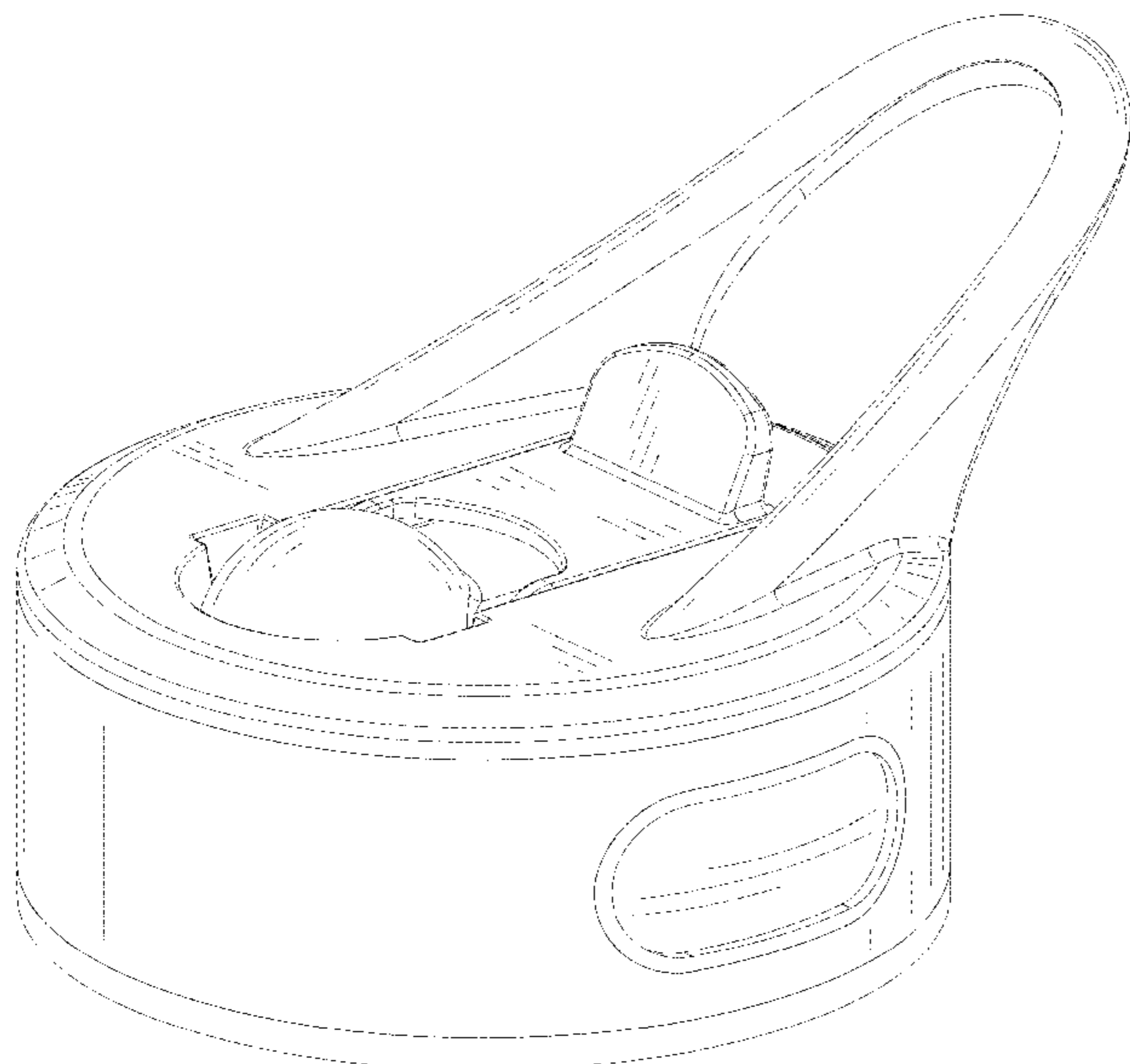
(57) **CLAIM**

The ornamental design for a water bottle cap, as shown and described.

DESCRIPTION

FIG. 1 is a top and left perspective view of a water bottle cap showing my new design;
FIG. 2 is a perspective view showing an unfolding state of FIG. 1;
FIG. 3 is a right and bottom perspective view thereof;
FIG. 4 is a front elevational view thereof;
FIG. 5 is a rear elevational view thereof;
FIG. 6 is a left side elevational view thereof; and,
FIG. 7 is a right side elevational view thereof.
FIG. 8 is a top plan view thereof; and,
FIG. 9 is a bottom plan view thereof.

1 Claim, 9 Drawing Sheets



(56)

References Cited

U.S. PATENT DOCUMENTS

D897,762	S	*	10/2020	Zhang	D7/392.1
D897,763	S	*	10/2020	Feng	D7/392.1
D899,181	S	*	10/2020	Xie	D7/392.1
D899,849	S	*	10/2020	Zhang	D7/392.1
D899,850	S	*	10/2020	Xie	D7/392.1
D900,538	S	*	11/2020	Yao	D7/392.1
D900,539	S	*	11/2020	Yao	D7/392.1
D901,236	S	*	11/2020	Yao	D7/392.1
D903,403	S	*	12/2020	Ames	D7/392
D903,405	S	*	12/2020	Zhang	D7/392.1
D904,109	S	*	12/2020	Yao	D7/392.1
D905,499	S	*	12/2020	Zhang	D7/392.1
D906,042	S	*	12/2020	Chen	D7/392.1
D907,959	S	*	1/2021	Hao	D7/510
D911,101	S	*	2/2021	Fang	D7/392.1
D911,772	S	*	3/2021	Xie	D7/392.1
2006/0226110	A1	*	10/2006	Choi	A45F 3/20 215/228
2007/0039959	A1	*	2/2007	Choi	A47G 19/2266 220/212.5
2015/0173539	A1	*	6/2015	Mason	B65D 47/063 220/707

OTHER PUBLICATIONS

Hcmian. Bottled Joy Kids Water Bottle With Straw Handle And 6pcs Ice Cubes,Back To School Student Water Cup, Wide Mouth 100% BPA-Free Tritan Bite Valve Plastic Water Bottle 20oz 600ml. No date specified. <https://www.hcmian.com/BOTTLED-JOY-Student-BPA-Free-Plastic-6FE9LPX4> (Year: 0).*

* cited by examiner

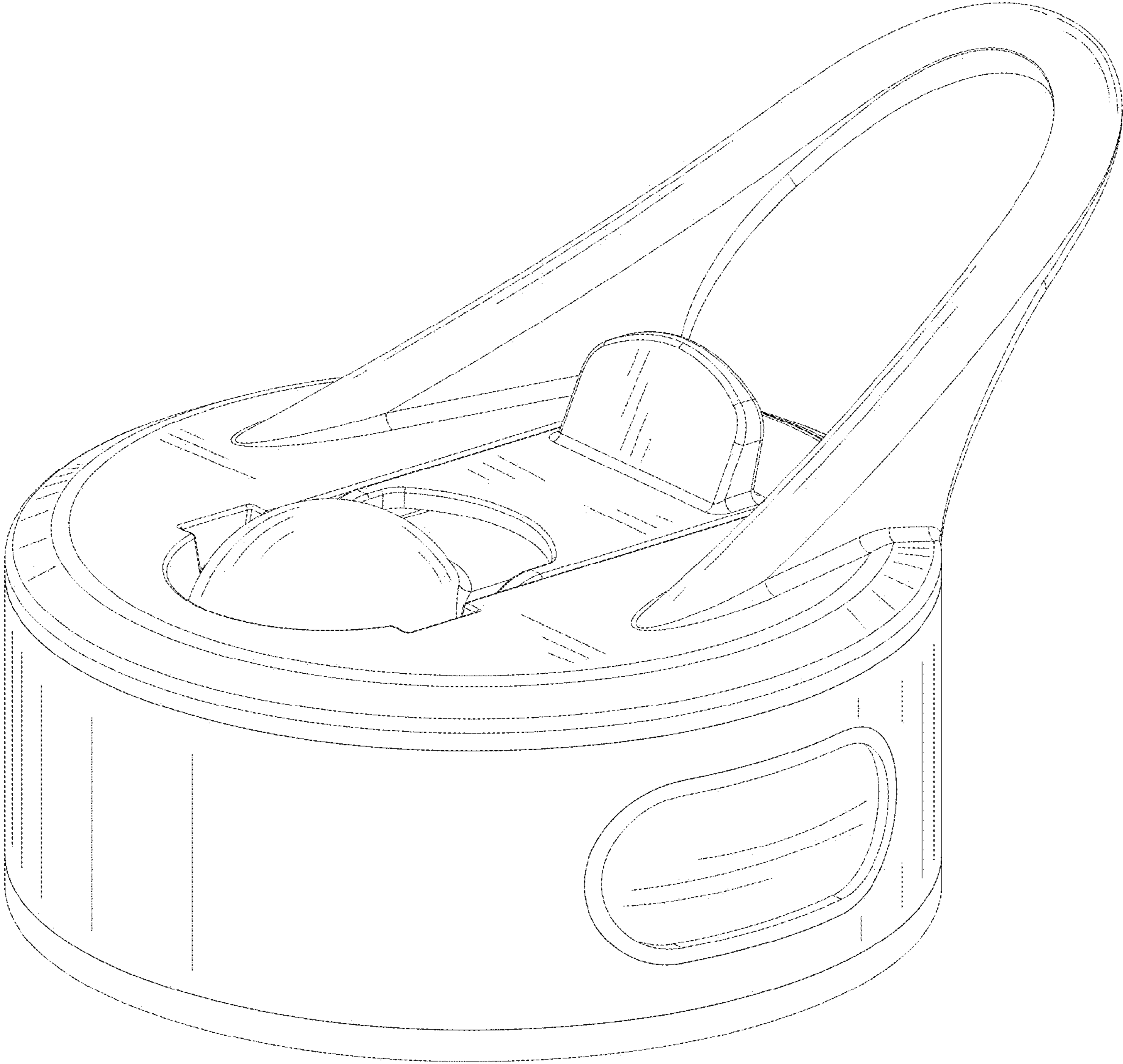


FIG. 1

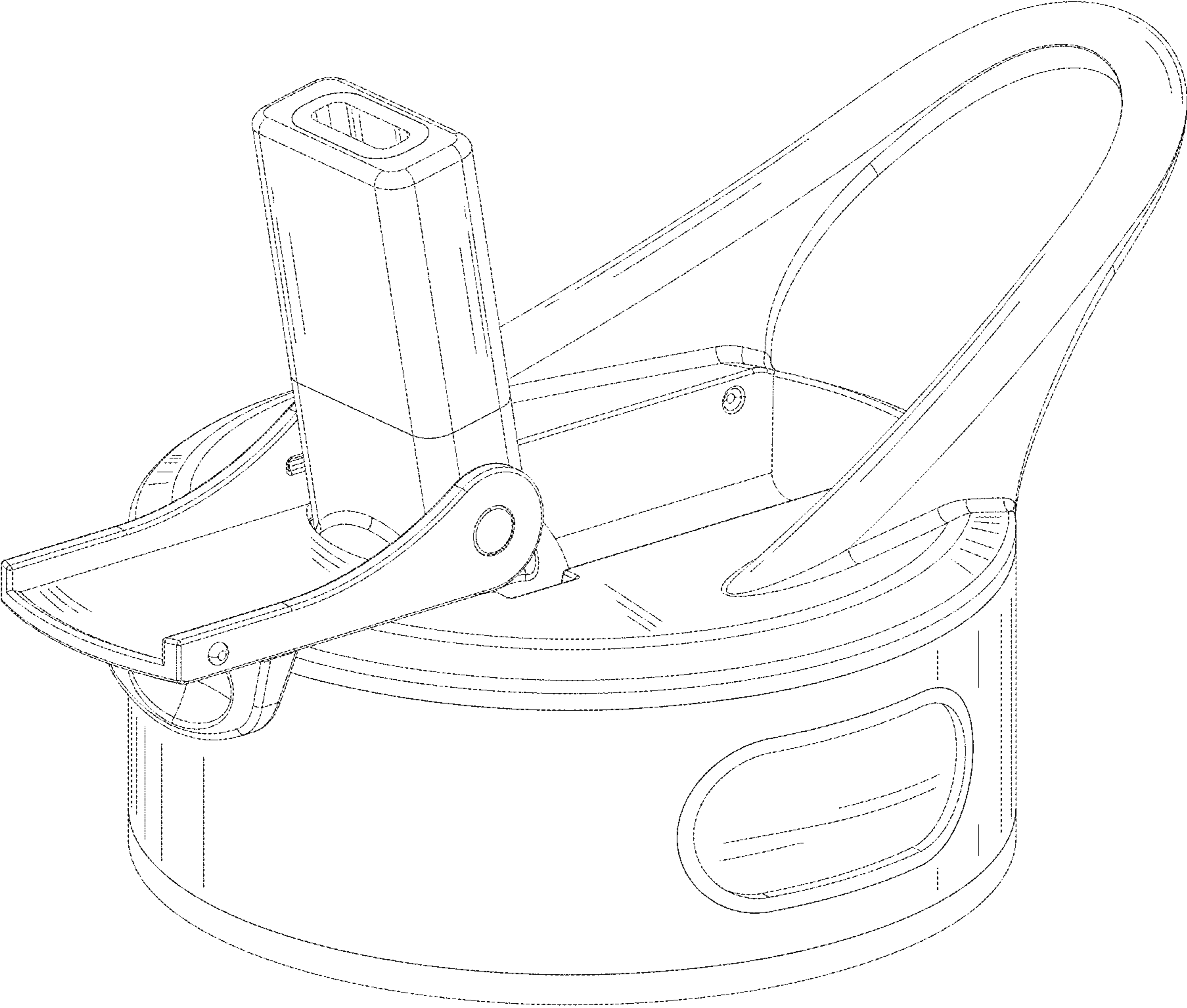


FIG. 2

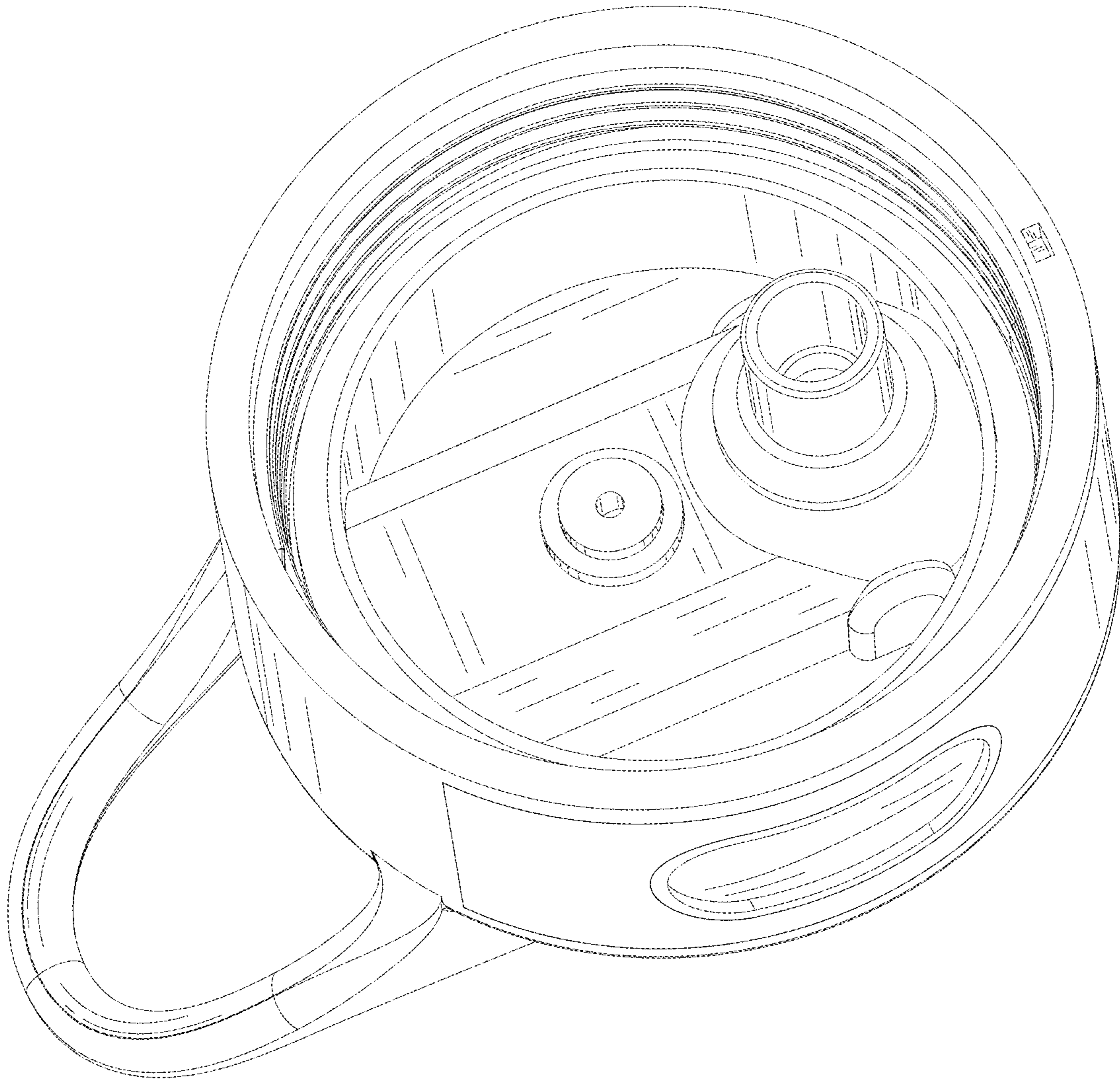


FIG. 3

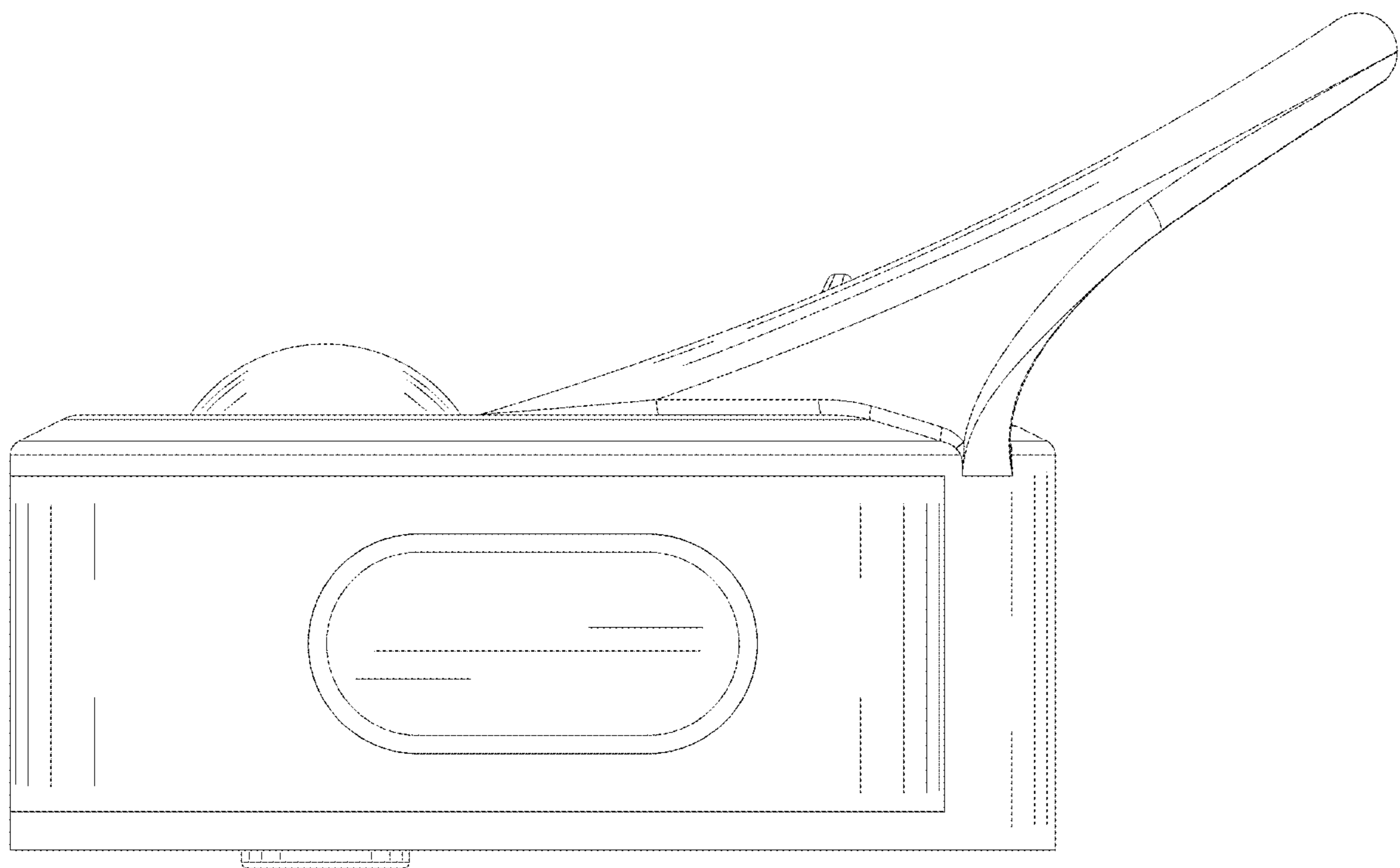


FIG. 4

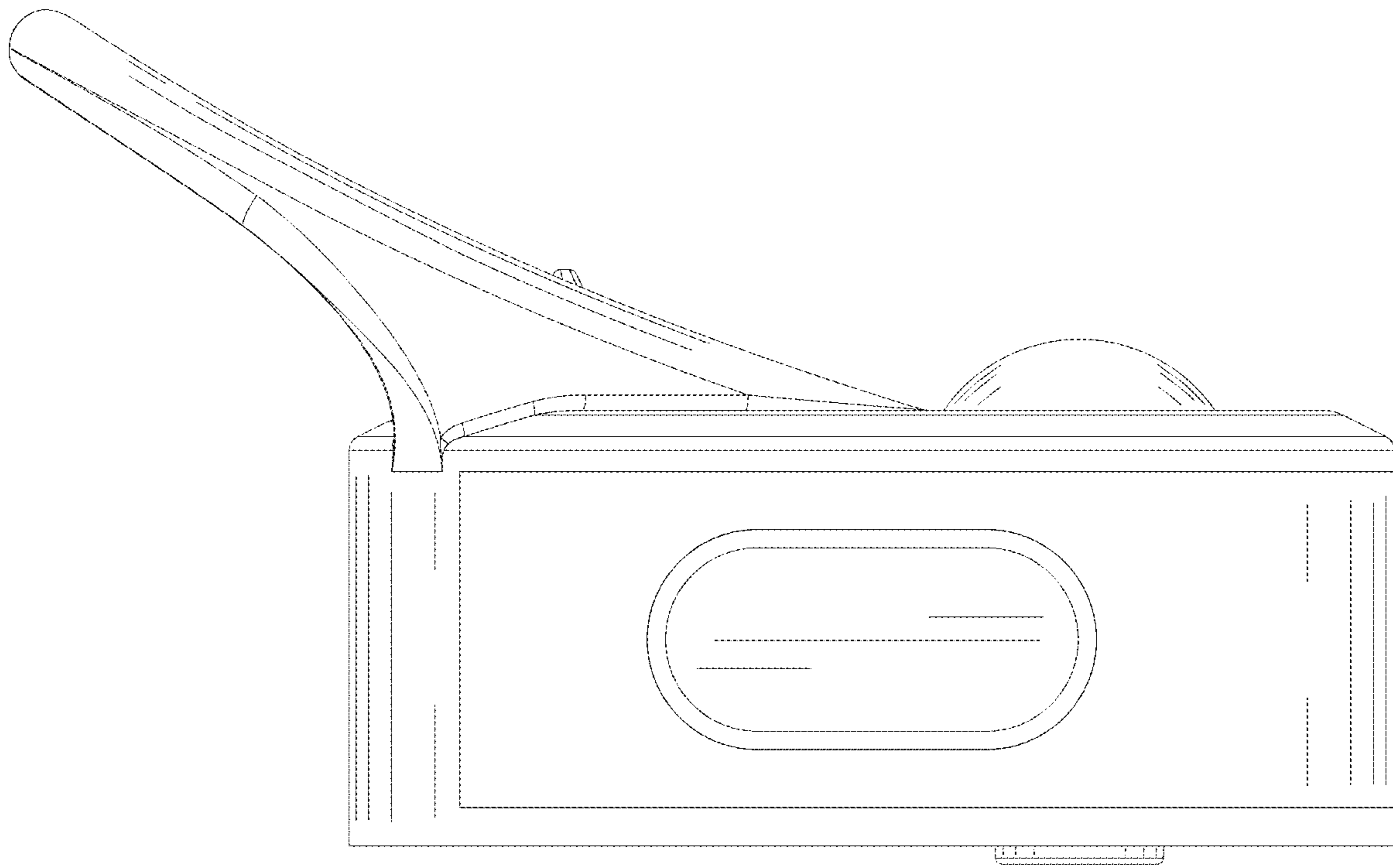


FIG. 5

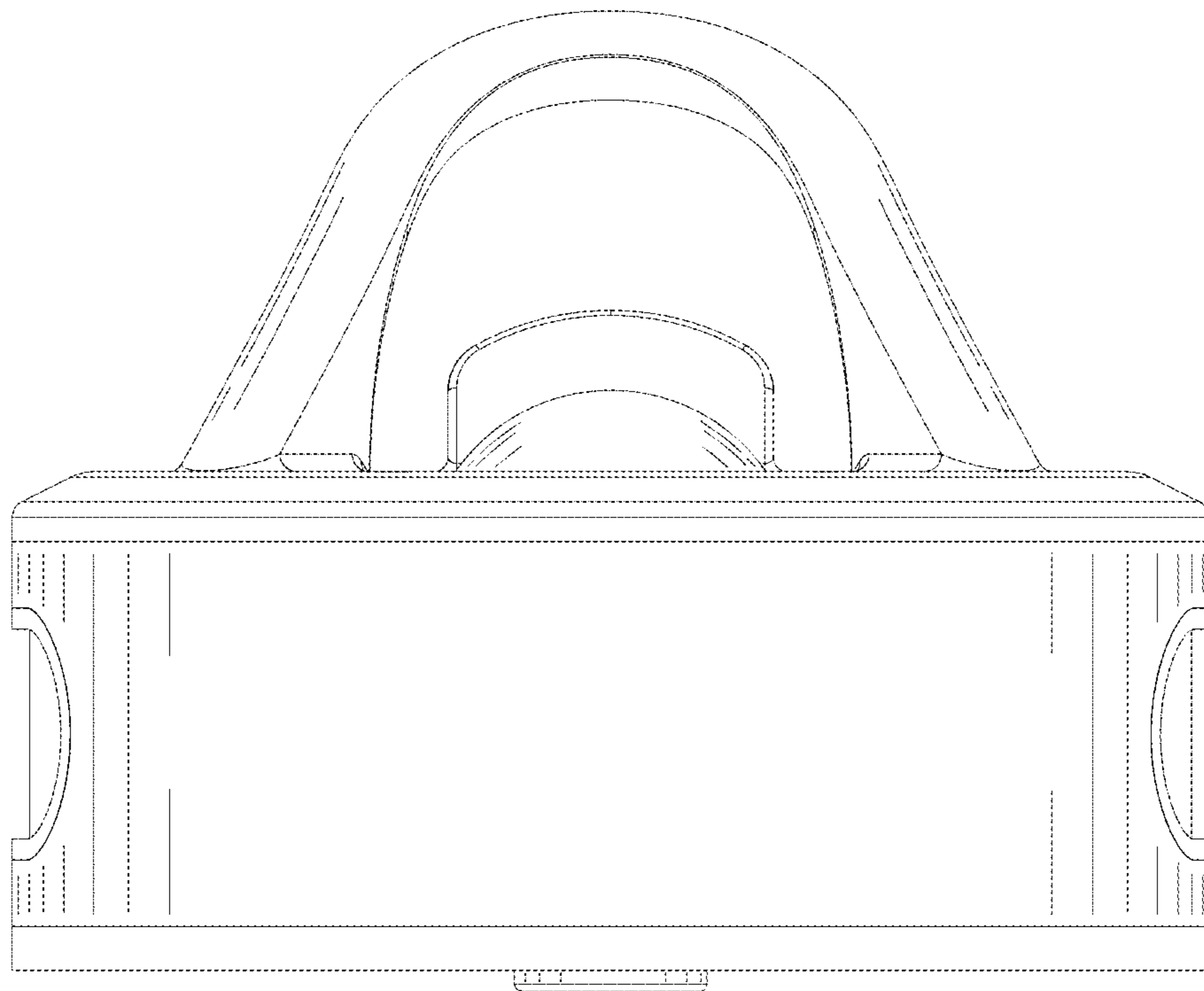


FIG. 6

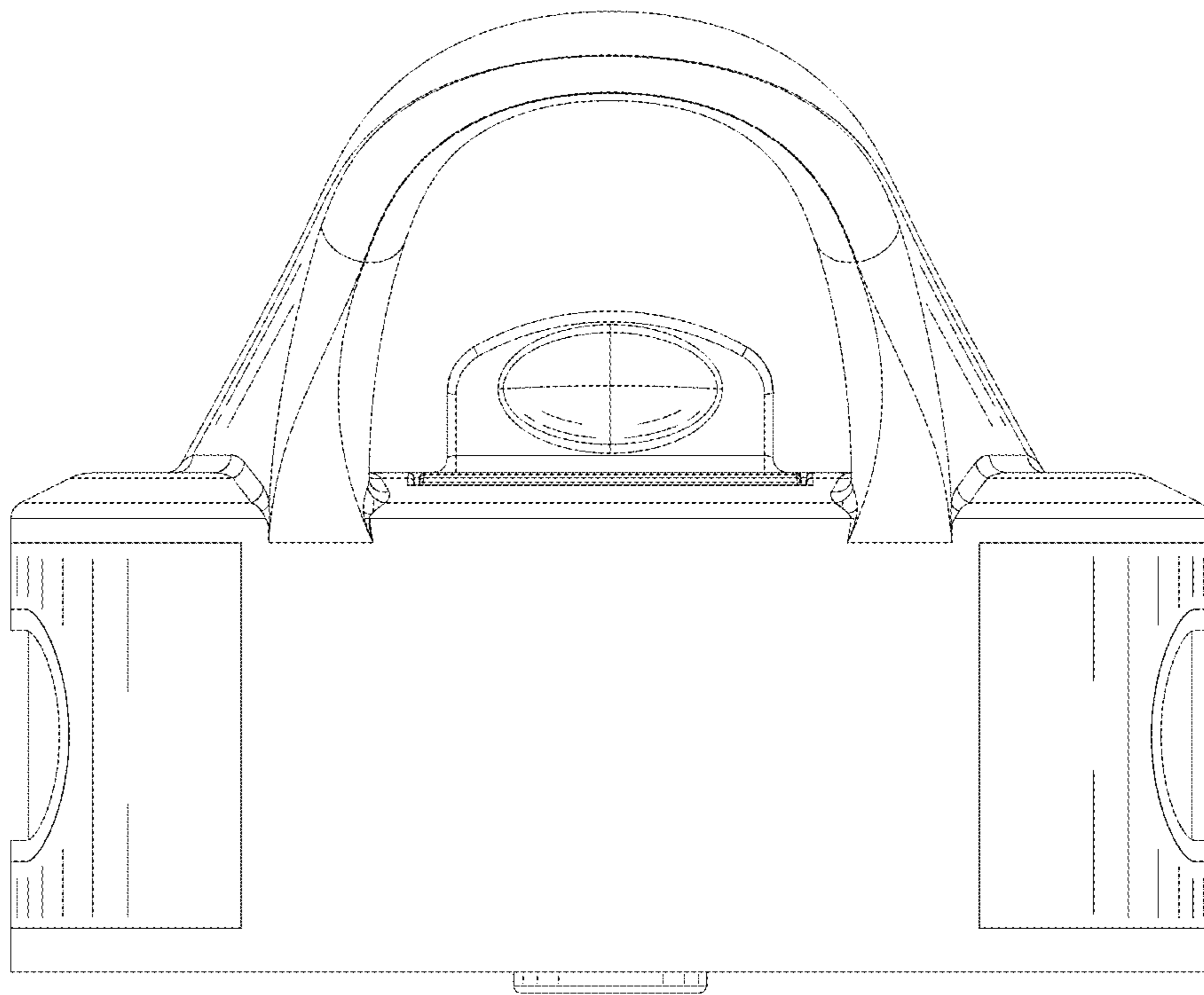


FIG. 7

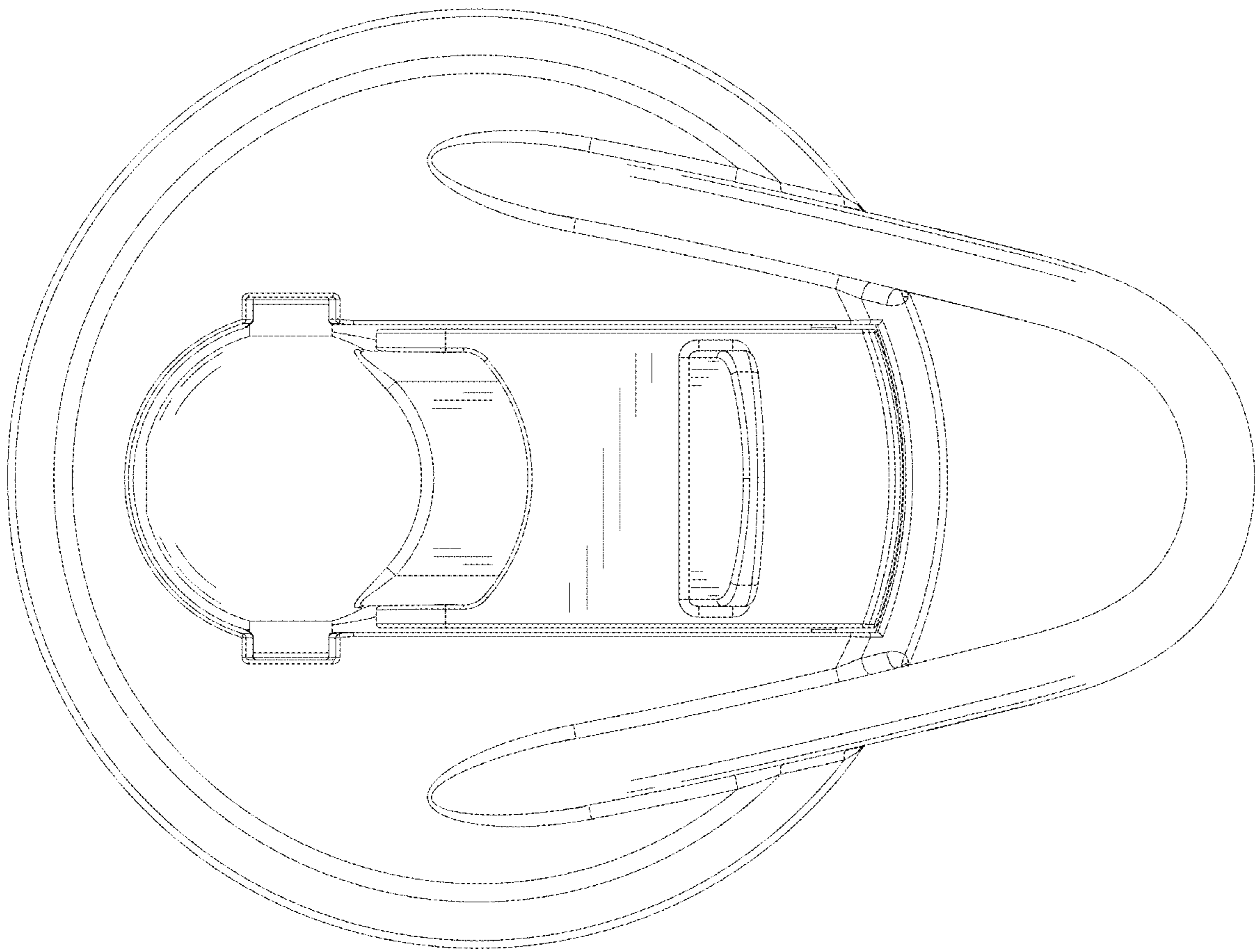


FIG. 8

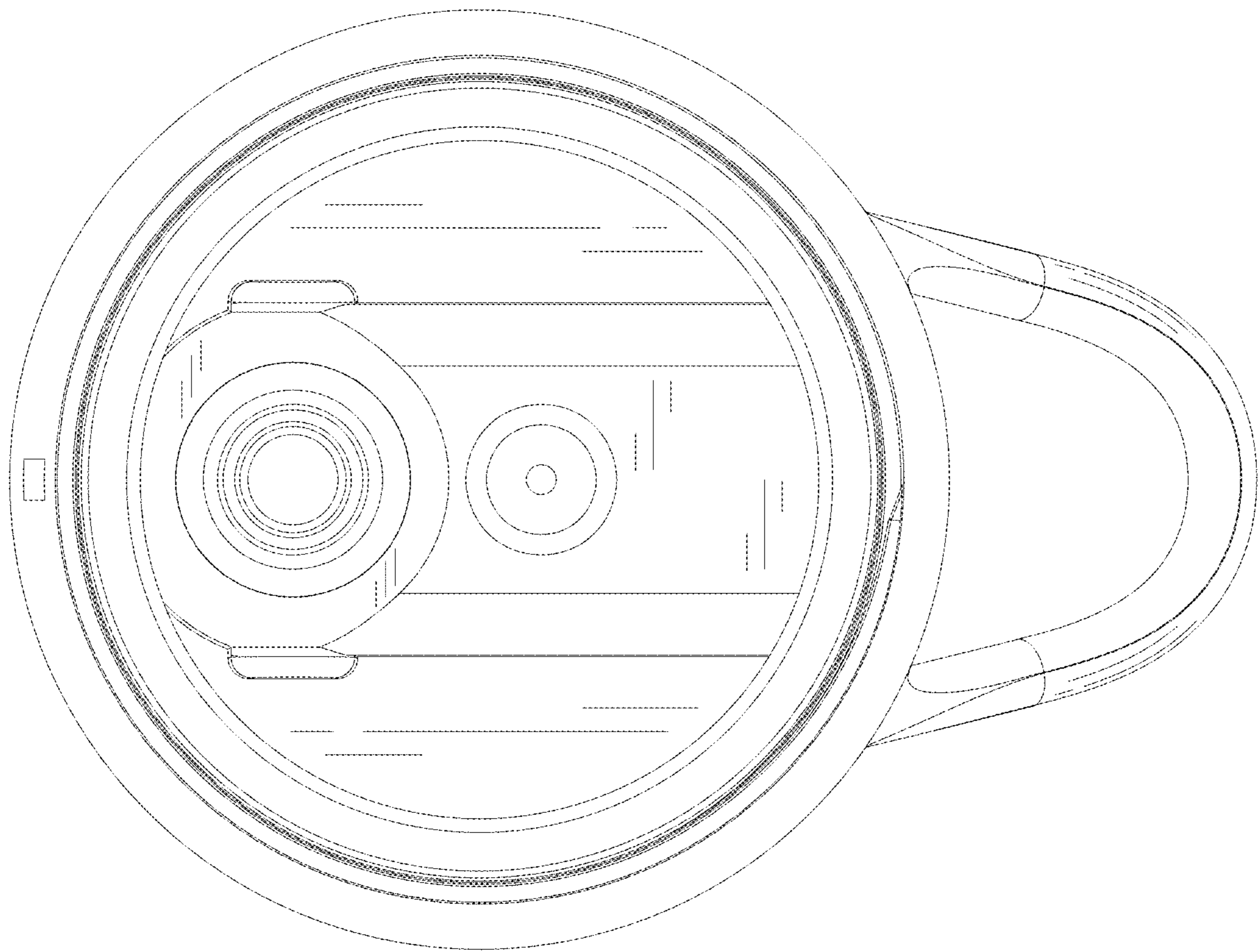


FIG. 9