



US00D924623S

(12) **United States Design Patent** (10) **Patent No.:** **US D924,623 S**
McCabe et al. (45) **Date of Patent:** **** Jul. 13, 2021**

(54) **BEVERAGE CONTAINER LID**

B65D 2543/00296; B65D 2585/56; B65D 2585/545

(71) Applicant: **Leapfrog Product Development LLC,**
Chicago, IL (US)

See application file for complete search history.

(72) Inventors: **Micaela K. McCabe,** Chicago, IL (US);
Brian M. Clemens, Burnsville, MN (US); **Steven N. Pinelli,** Ogden Dunes, IN (US); **Glen C. Gilmore, III,** Naperville, IL (US); **Richard E. Ellison,** Chicago, IL (US); **Derek J. Leatzow,** Chicago, IL (US); **Kurtis M. Sward,** Anna Maria, FL (US)

(56) **References Cited**

U.S. PATENT DOCUMENTS

(73) Assignee: **Leapfrog Product Development LLC,**
Chicago, IL (US)

(**) Term: **15 Years**

(21) Appl. No.: **29/684,601**

(22) Filed: **Mar. 22, 2019**

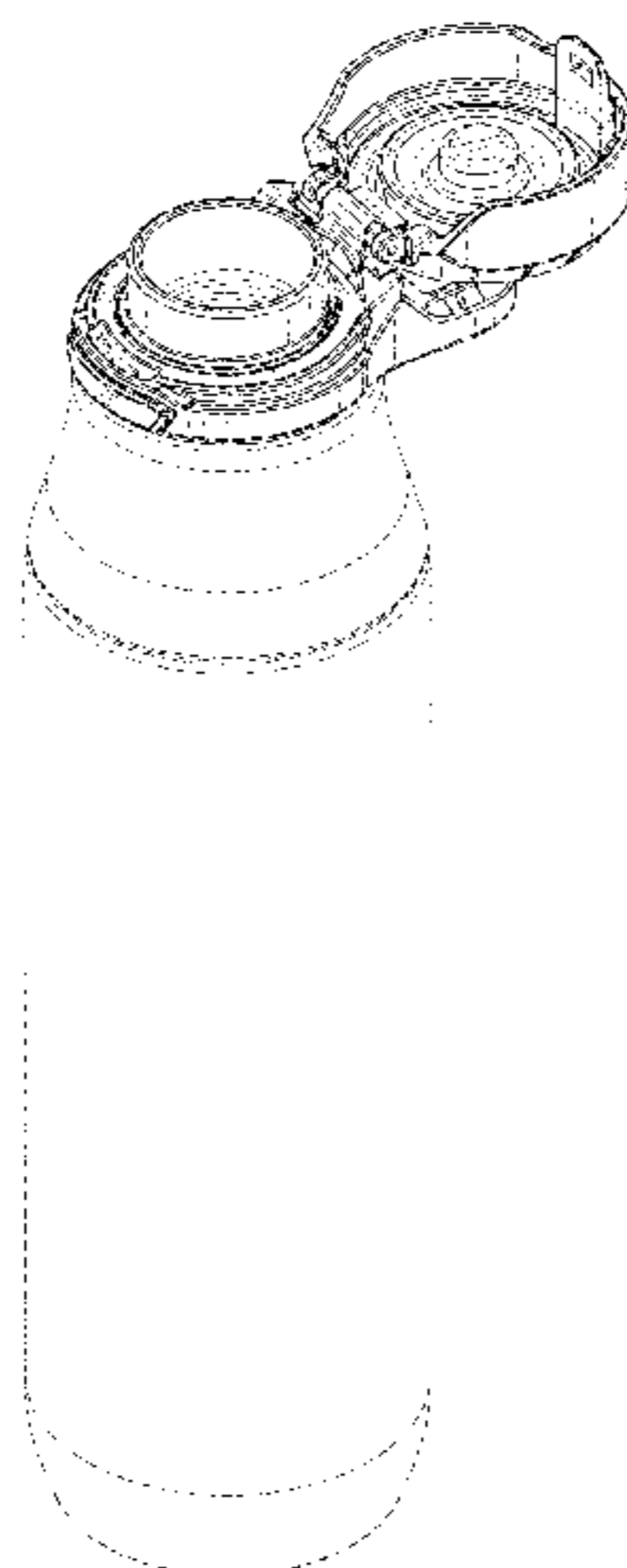
(51) **LOC (13) Cl.** **07-99**

(52) **U.S. Cl.**
USPC **D7/392.1; D7/396.2; D9/443; D9/449**

(58) **Field of Classification Search**
USPC **D9/414, 415, 432, 434, 435, 443-453, D9/455-457, 499, 503, 504, 682, 685, D9/686; D7/387, 391, 392, 392.1, 394, D7/396.1-396.4, 506, 507, 509-511, 538, D7/900; D3/202, 203.2, 294, 318; D28/91, 91.1**

CPC .. **A61J 1/00; A61J 1/1412; B65D 1/00; B65D 1/02; B65D 1/10; B65D 1/46; B65D 5/46; B65D 41/00; B65D 41/38; B65D 41/56; B65D 41/62; B65D 47/00; B65D 47/06; B65D 47/08; B65D 2251/00; B65D 2543/00046; B65D 2543/00092;**

D364,810 S	12/1995	Meisner	
D471,455 S	3/2003	Laveault et al.	
D485,132 S *	1/2004	Ohno	D7/608
D505,294 S *	5/2005	Gauss	D7/392.1
D508,185 S	8/2005	Gauss	
D515,357 S	2/2006	Ward et al.	
D528,862 S	9/2006	Li	
D533,061 S *	12/2006	Li	D9/443
D564,841 S	3/2008	Clemens et al.	
D579,722 S	11/2008	Sakulsacha et al.	
D581,727 S	12/2008	Pinelli et al.	
D592,456 S	5/2009	Pinelli et al.	
D592,905 S	5/2009	Pinelli et al.	
D592,913 S *	5/2009	Pinelli	D7/510
7,546,933 B2	6/2009	Pinelli	
D609,964 S	2/2010	Lane	
D643,249 S	8/2011	Miller et al.	
7,997,442 B2	8/2011	Pinelli	
D655,580 S *	3/2012	Kotani	D7/608
D656,787 S	4/2012	Phillips et al.	
D661,945 S	6/2012	Eyal	
D675,060 S *	1/2013	Lane	D7/392.1
8,360,267 B1	1/2013	Chiou et al.	
D686,871 S *	7/2013	Lane	D9/449
D693,629 S	11/2013	Miller	
D693,630 S	11/2013	Hurley et al.	
8,579,133 B2	11/2013	Marcus et al.	
8,590,731 B2	11/2013	Pinelli	
D700,012 S *	2/2014	Hurley	D7/392.1
D700,802 S	3/2014	Miller	
8,978,906 B2	3/2015	Feeley et al.	
D725,966 S	4/2015	Boroski et al.	
D739,183 S	9/2015	Lane	
9,266,643 B2	2/2016	Marcus et al.	
D758,189 S *	6/2016	Roth	D7/392.1
D758,790 S *	6/2016	Boroski	D7/396.2
D780,578 S	3/2017	Lane et al.	
D785,402 S	5/2017	Shirley et al.	
D793,804 S	8/2017	Herbst et al.	
D794,453 S	8/2017	Boroski et al.	
D795,011 S *	8/2017	Pisarevsky	D7/507
D799,898 S *	10/2017	Yao	D7/510
D802,993 S *	11/2017	Joseph	D7/392.1
D804,903 S *	12/2017	Mason	D7/510
D804,904 S *	12/2017	Noveletsky	D7/510



D808,220 S	1/2018	Burns et al.	
D809,384 S *	2/2018	Best	D9/443
D814,398 S	4/2018	Yasunaga	
D817,713 S *	5/2018	Lin	D7/510
D818,767 S *	5/2018	Nezu	D7/392.1
D821,136 S	6/2018	Silsby et al.	
D821,137 S	6/2018	Boroski	
D821,815 S	7/2018	Chung	
D822,427 S	7/2018	Sorensen et al.	
D831,425 S	10/2018	Best et al.	
D831,433 S	10/2018	Fleischhut	
D835,939 S	12/2018	Yee et al.	
D839,044 S *	1/2019	Potter	D7/392.1
D848,787 S	5/2019	Tatsukawa et al.	
D853,181 S *	7/2019	Stanton	D7/392.1
D853,784 S	7/2019	Wu	
D865,457 S *	11/2019	Kotani	D7/608
D869,230 S *	12/2019	Hao	D7/392.1
D870,509 S	12/2019	Bo	
2011/0089059 A1 *	4/2011	Lane	B65D 51/2835 206/222
2012/0312832 A1 *	12/2012	Lane	B65D 51/242 220/833
2014/0339177 A1 *	11/2014	Lane	A45F 3/18 210/767
2015/0282654 A1 *	10/2015	Kurabe	A47G 19/2272 220/254.5
2017/0297785 A1	10/2017	Maruyama et al.	

OTHER PUBLICATIONS

Zulu, "Atlas20 oz Glass Water Bottle," accessed on-line at: <https://www.zuluathletic.com/shop-all/atlas-glass-water-bottle> (available at least as early as Mar. 22, 2019).

Kor, "Vida Bottle—25oz," accessed on-line at: <https://waterbottles.com/kor-vida-bottle-25-oz> (available at least as early as Mar. 22, 2019).

Thermos, "Hydration Bottle with Rotating Intake Meter, 24oz," accessed on-line at: <https://www.thermos.com/genuine-thermos-brand-hydration-bottle-with-rotating-intake-meter-24oz.html> (available at least as early as Mar. 22, 2019).

Thermos, "Shaker Bottle with Integrated Mixer, 24oz," accessed on-line at: <https://www.thermos.com/genuine-thermos-brand-shaker-bottle-with-integrated-mixer-24oz-clear-green-accent.html> (available at least as early as Mar. 22, 2019).

Tervis, "Custom Water Bottle," accessed on-line at: <https://www.tervis.com/turtle-sunset-stainless-steel-24oz-stainless-water-bottle-1362572.html> (available at least as early as Mar. 22, 2019).

Swell, "Bottles," accessed on-line at: <https://www.swell.com/shop/swell/bottles/> (available at least as early as Mar. 22, 2019).

Tritan, "32 oz Soft Straw Plastic Water Bottle," accessed on-line at: <http://www.pogogear.com/32oz-tritan-straw> (available at least as early as Mar. 22, 2019).

Tritan, "32oz Chug Plastic Water Bottle," accessed on-line at: <http://www.pogogear.com/32oz-tritan-chug> (available at least as early as Mar. 22, 2019).

Tritan, "18oz Chug Plastic Water Bottle," accessed on-line at: <http://www.pogogear.com/18oz-tritan-chug> (available at least as early as Mar. 22, 2019).

Ello, "chi 24oz BPA-Free Tritan Plastic Water Bottle," accessed on-line at: <https://www.elloproducts.com/water-bottles/chi-24oz-plastic-water-bottle> (available at least as early as Mar. 22, 2019).

Ello, "Dash 16oz 2pk Tritan Plastic Water Bottles," accessed on-line at: <https://www.elloproducts.com/kids/dash-16oz-tritan-plastic-water-bottle> (available at least as early as Mar. 22, 2019).

Ello, "Cru Stemless Wine glass Set with Silicone Protection," accessed on-line at: <https://www.elloproducts.com/tumblers/cru-stemless-wine-glass-set-with-silicone-protection> (available at least as early as Mar. 22, 2019).

Aladdin, "Water Bottle," (1 page) (available at least as early as Mar. 22, 2019).

Ello, "Elsie 22oz Glass Water Bottle," accessed on-line at: <https://www.elloproducts.com/water-bottles/elsie-22oz-glass-water-bottle> (available at least as early as Mar. 22, 2019).

Ello, "Beacon 24oz Vacuum Insulated Stainless Tumbler," accessed on-line at: <https://www.elloproducts.com/tumblers/beacon-24oz-vacuum-insulated-stainless-tumbler> (available at least as early as Mar. 22, 2019).

Ello, "Rise 12oz Vacuum Insulated Stainless Steel Tumbler with Optional Straw," accessed on-line at: <https://www.elloproducts.com/kids/rise-12oz-vacuum-insulated-stainless-steel-tumbler> (available at least as early as Mar. 22, 2019).

Ello, "Hammertime 18oz Stainless Steel Travel Mug," accessed on-line at: <https://www.elloproducts.com/travel-mugs/hammertime-18oz-vacuum-insulated-stainless-steel-travel-mug> (available at least as early as Mar. 22, 2019).

Ello, "Pure 20oz Glass Water Bottle," accessed on-line at: <https://www.elloproducts.com/water-bottles/pure-20oz-glass-water-bottle> (available at least as early as Mar. 22, 2019).

Ello, "Max 12oz Vacuum-Insulated Stainless Steel Kids Water Bottle," accessed on-line at: <https://www.elloproducts.com/kids/max-12oz-vacuum-insulated-stainless-steel-kids-water-bottle> (available at least as early as Mar. 22, 2019).

Ello, "Syndicate 20oz Glass Water Bottle," accessed on-line at: <https://www.elloproducts.com/water-bottles/syndicate-20oz-glass-water-bottle> (available at least as early as Mar. 22, 2019).

Mason, "Glass Jar," (1 page) (available at least as early as Mar. 22, 2019).

Camelbak, "Eddy+ 1L Bottle," accessed on-line at: https://www.camelbak.com/en/bottles/R02056--Eddy_75L_2019?color=6bbd0584f3a64b0eb30d406f7e03797e (available at least as early as Mar. 22, 2019).

Contigo, "Autoseal West Loop 2.0 Stainless," accessed on-line at: <https://www.gocontigo.com/20-oz-autoseal-west-loop-stainless-travel-mug-with-easy-clean-lid.html> (available at least as early as Mar. 22, 2019).

Contigo, "Autospout Straw Striker Chill," accessed on-line at: <https://www.gocontigo.com/14-oz-autospout-striker-kids-water-bottle.html> (available at least as early as Mar. 22, 2019).

Zojirushi, "Travel Mug SM-YAE48," accessed on-line at: <https://www.zojirushi.com/app/product/smyae> (available at least as early as Mar. 22, 2019).

Zojirushi, "Stainless Mug SM-KC3648," accessed on-line at: <https://www.zojirushi.com/app/product/smkc> (available at least as early as Mar. 22, 2019).

Zojirushi, "Stainless Bottle SJ-JS10," accessed on-line at: <https://www.zojirushi.com/app/product/sjjs> (available at least as early as Mar. 22, 2019).

Zojirushi, "Flip-and-Go Stainless Mug SM-QHE48/60," accessed on-line at: <https://www.zojirushi.com/app/product/smqhe> (available at least as early as Mar. 22, 2019).

Zojirushi, "Stainless Mug SM-TAE48SA, Ichimatsu Collection," accessed on-line at: <https://www.zojirushi.com/app/product/smtae> (available at least as early as Mar. 22, 2019).

Zojirushi, "Stainless Mug SM-TA36/48/60," accessed on-line at: <https://www.zojirushi.com/app/product/smta> (available at least as early as Mar. 22, 2019).

Zojirushi, "Stainless Mug SM-SE36/48/60," accessed on-line at: <https://www.zojirushi.com/app/product/smse> (available at least as early as Mar. 22, 2019).

Zojirushi, "Stainless Mug SM-SD36/48/60," accessed on-line at: <https://www.zojirushi.com/app/product/smsd> (available at least as early as Mar. 22, 2019).

Zojirushi, "Stainless Mug SM-SHE48/60," accessed on-line at: <https://www.zojirushi.com/app/product/smshe> (available at least as early as Mar. 22, 2019).

Zojirushi, "Stainless Mug SM-KHE36/48," accessed on-line at: <https://www.zojirushi.com/app/product/smkhe> (available at least as early as Mar. 22, 2019).

Zojirushi, "Stainless Mug SM-SC36/48/60" accessed on-line at: <https://www.zojirushi.com/app/product/smsc> (available at least as early as Mar. 22, 2019).

Zojirushi, "Stainless Mug SM-KC36/48," accessed on-line at: <https://www.zojirushi.com/app/product/smkc> (available at least as early as Mar. 22, 2019).

Zojirushi, “Stainless Mug SM-PC20/30,” accessed on-line at: <https://www.zojirushi.com/app/product/smpc> (available at least as early as Mar. 22, 2019).

Zojirushi, “Stainless Mug SM-PB30/34,” accessed on-line at: <https://www.zojirushi.com/app/product/smpb> (available at least as early as Mar. 22, 2019).

Migo, “Enjoy Sport Water Bottle,” accessed on-line at: <https://www.pinterest.ru/pin/12666442685646757/> (available at least as early as Mar. 22, 2019).

Coleman, “Switch SS,” accessed on-line at: https://www.coleman.com/all-camp-kitchen/drinkware/switch-ss/col_2038485_pr/COL_2038485 (available at least as early as Mar. 22, 2019).

Corkcicle, “Classic Arctican,” accessed on-line at: <https://corkcicle.com/products/classic-arctican?variant=475182759951> (available at least as early as Mar. 22, 2019).

Ello, “Reflex Beverage Container,” (1 page) (available at least as early as Mar. 22, 2019).

* cited by examiner

Primary Examiner — Wendy L Arminio

(74) *Attorney, Agent, or Firm* — Barnes & Thornburg LLP

(57) **CLAIM**

We claim the ornamental design for a beverage container lid, as shown and described.

DESCRIPTION

FIG. 1 is a top perspective view of the beverage container lid according to the new design.

FIG. 2 is a bottom perspective view of the beverage container lid shown in FIG. 1.

FIG. 3 is a front elevation view of the beverage container lid shown in FIG. 1.

FIG. 4 is a rear elevation view of the beverage container lid shown in FIG. 1.

FIG. 5 is a left side elevation view of the beverage container lid shown in FIG. 1.

FIG. 6 is a right side elevation view of the beverage container lid shown in FIG. 1.

FIG. 7 is a top plan view of the beverage container lid shown in FIG. 1; and,

FIG. 8 is a bottom plan view of the beverage container lid shown in FIG. 1.

The broken lines illustrating a beverage container depict environment and form no part of the claimed design. All other broken lines depict portions of the beverage container lid that form no part of the claimed design.

1 Claim, 8 Drawing Sheets

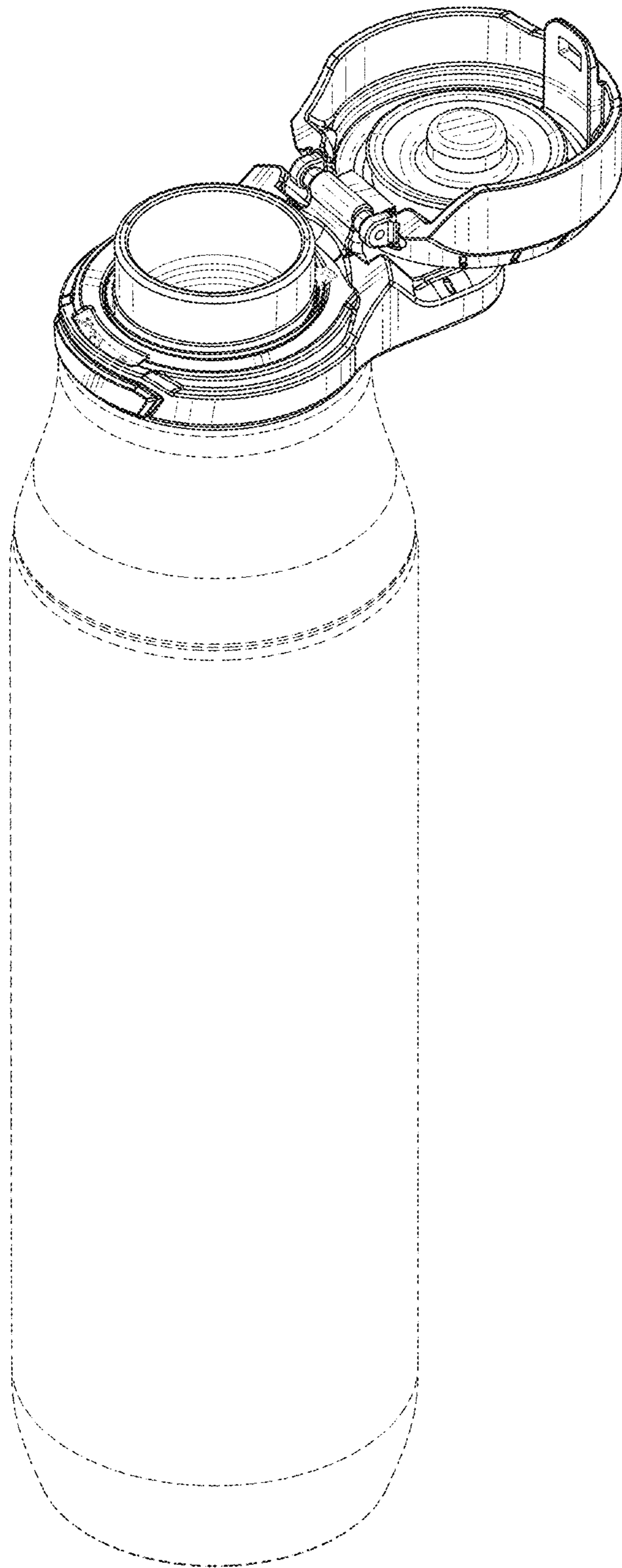


FIG. 1

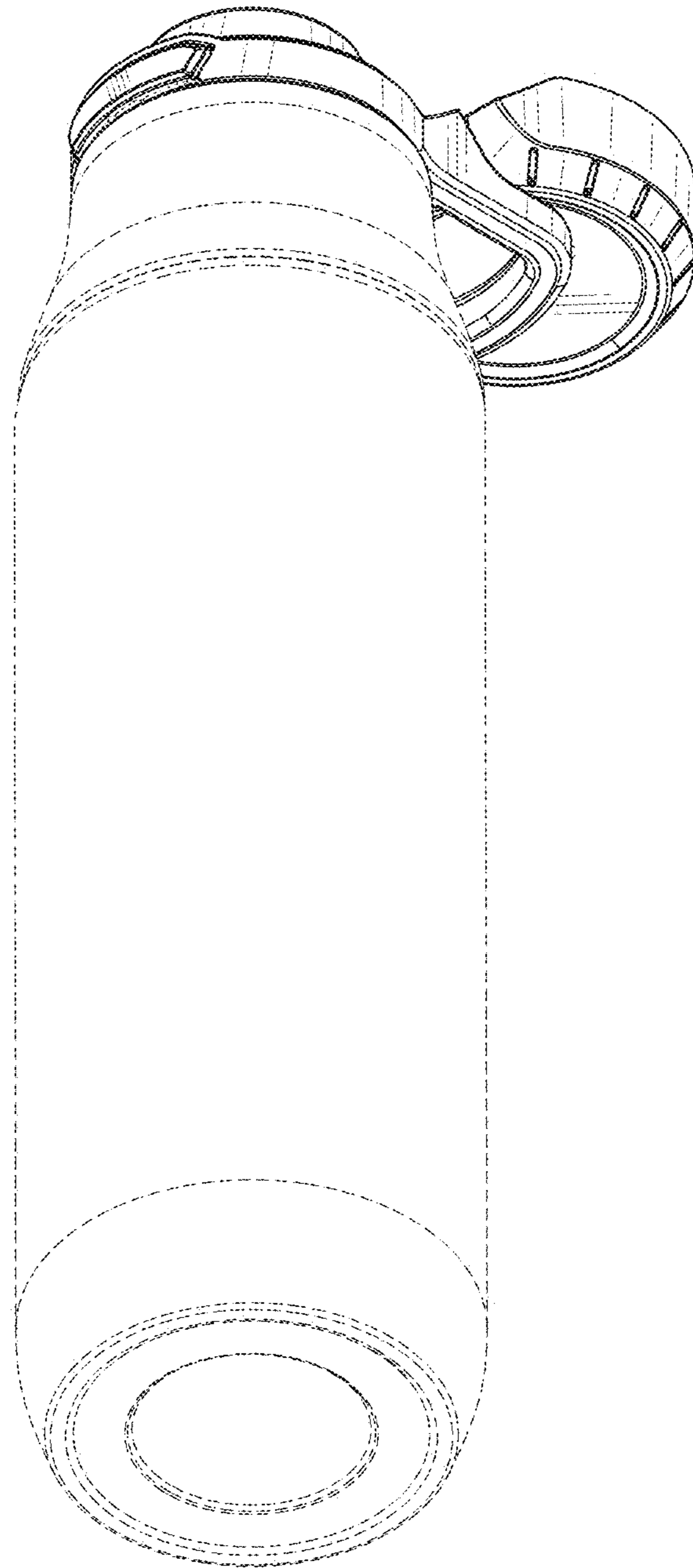


FIG. 2

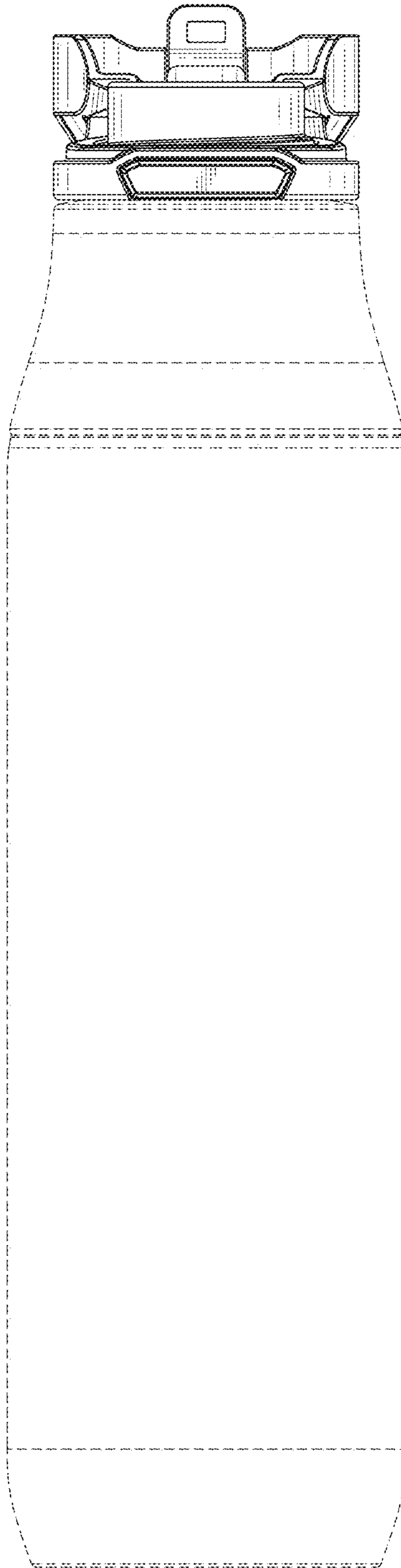


FIG. 3

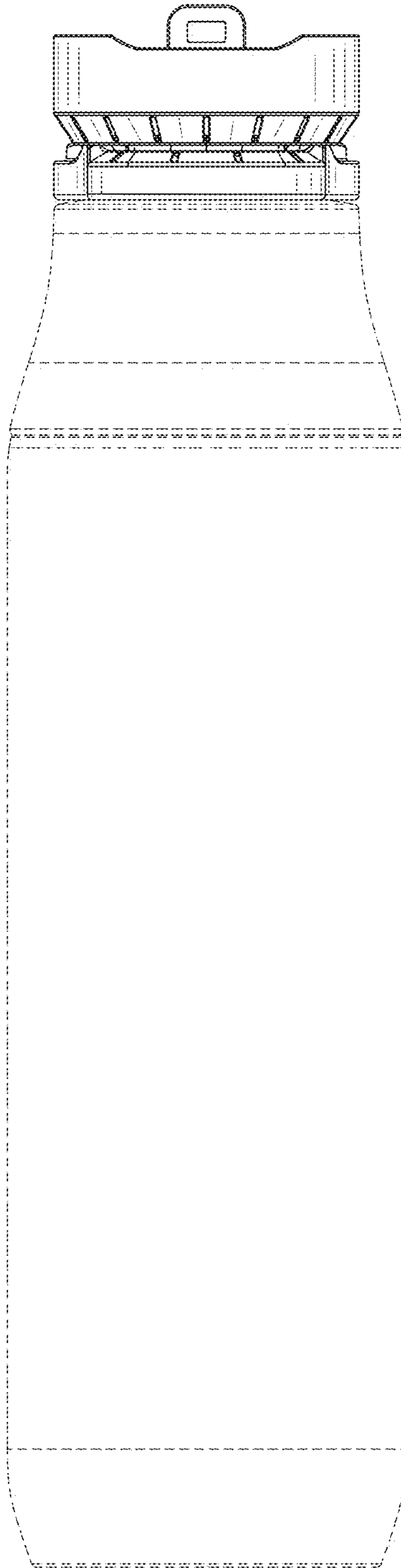


FIG. 4

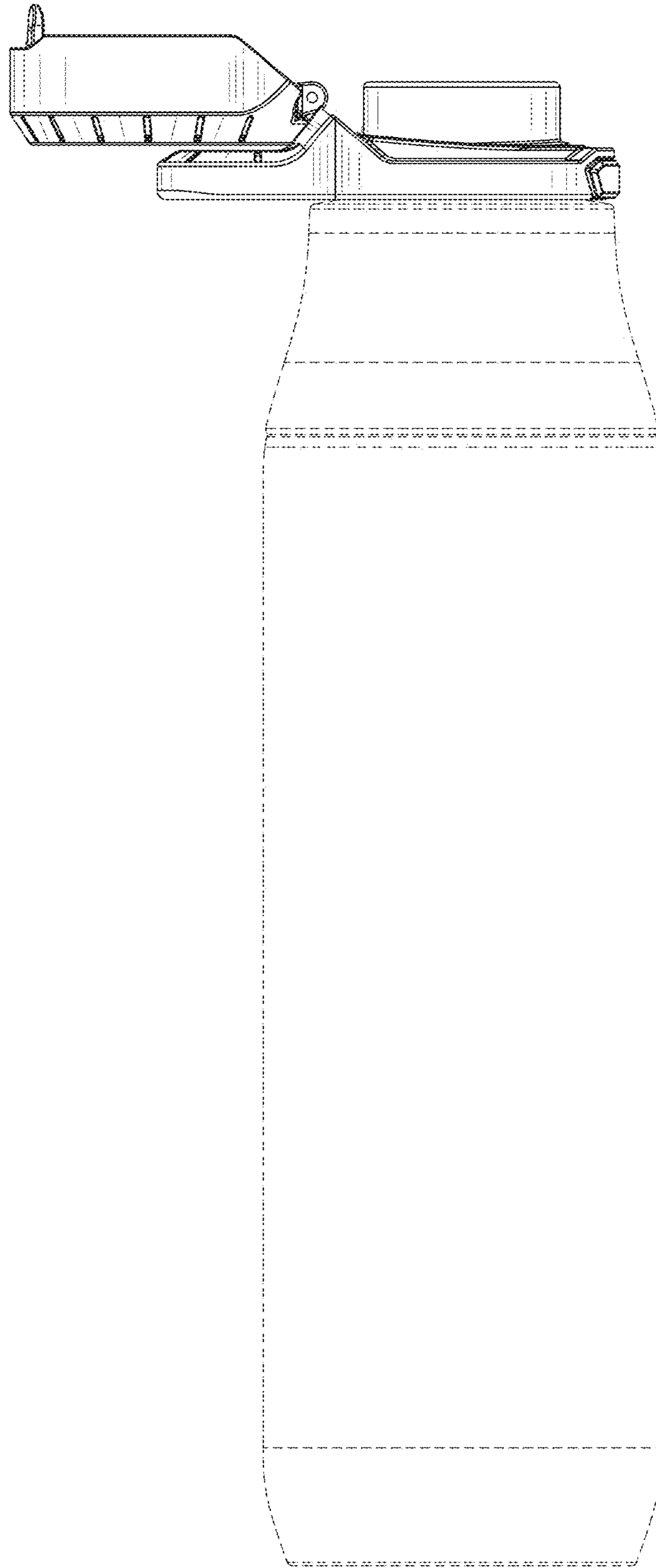


FIG. 5



FIG. 6

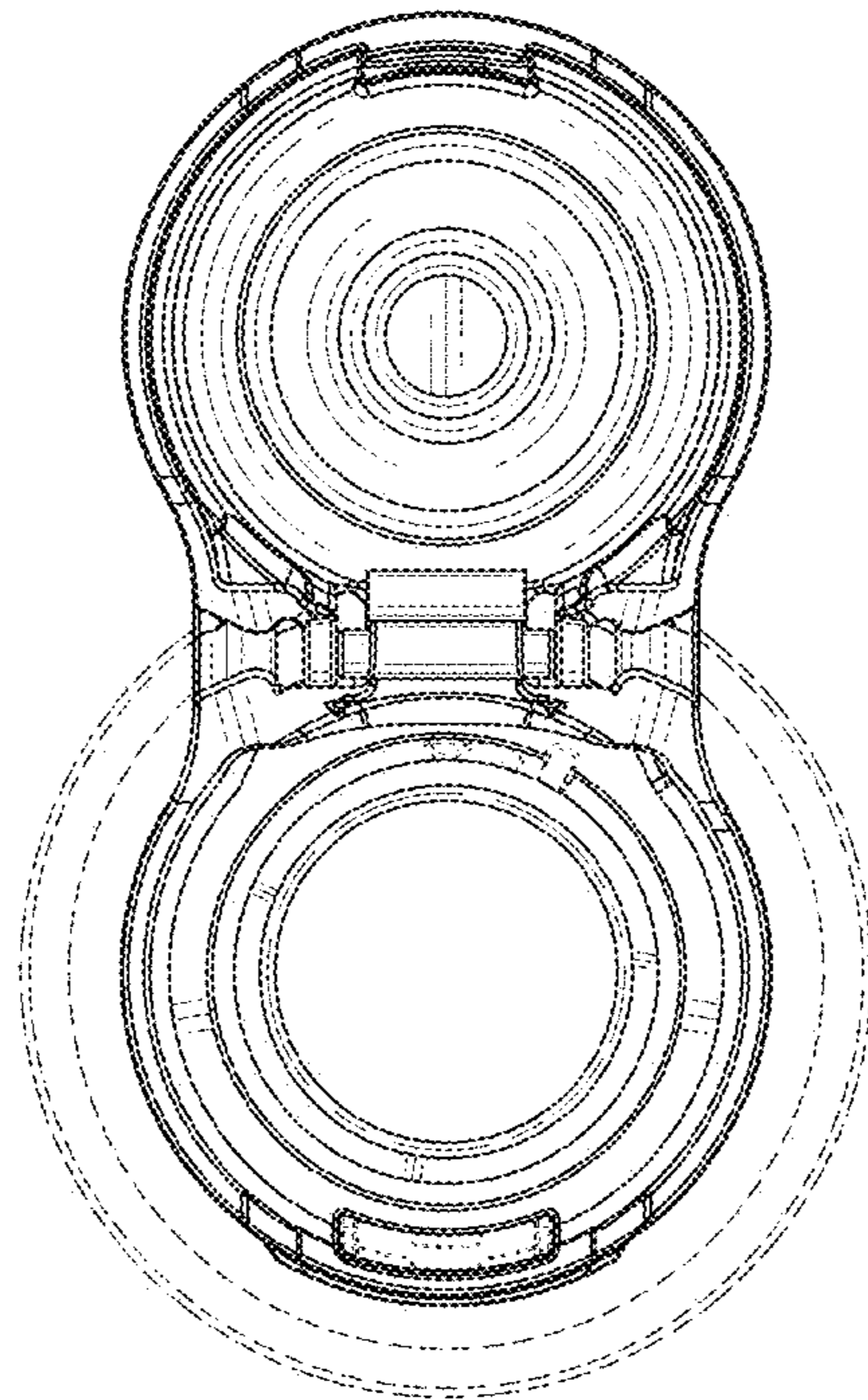


FIG. 7

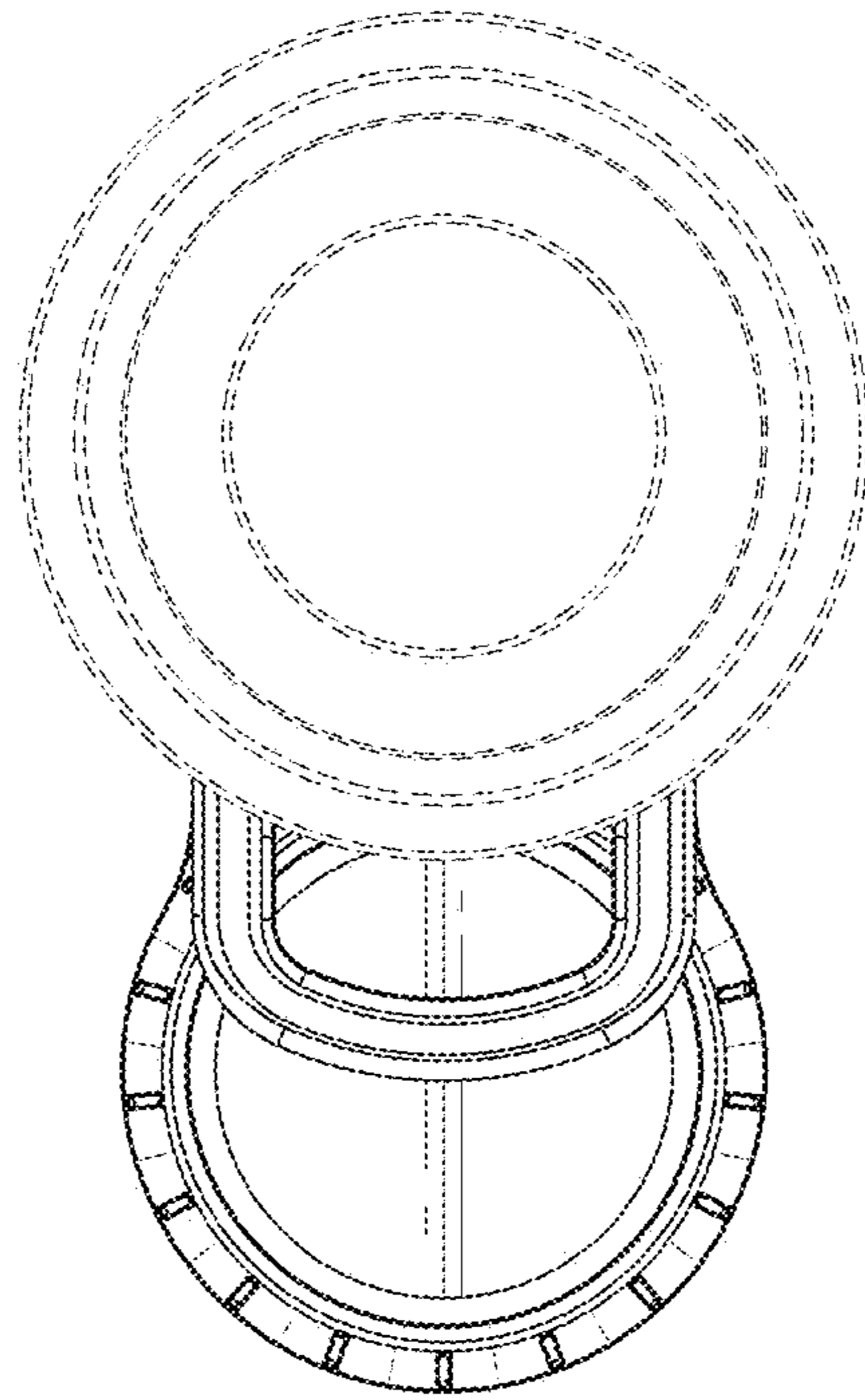


FIG. 8