



US00D924622S

(12) **United States Design Patent** (10) **Patent No.:** **US D924,622 S**
Turner (45) **Date of Patent:** **** Jul. 13, 2021**

(54) **DUTCH OVEN LID**
(71) Applicant: **Birr Industries**, Arrowtown (NZ)
(72) Inventor: **Rachel Sara Turner**, Arrowtown (NZ)
(73) Assignee: **Birr Industries**, Arrowtown (NZ)
(**) Term: **15 Years**

D550,030 S * 9/2007 Peterson D7/392.1
D666,272 S * 8/2012 Shi D23/207
D673,806 S * 1/2013 Upston D7/354
D718,989 S * 12/2014 Hoffstadt D7/698
D752,912 S * 4/2016 Venot D7/356
D796,412 S * 9/2017 Aker, Jr. D12/213
D812,414 S * 3/2018 Kastner D7/361
D831,442 S * 10/2018 Proctor D7/698
D916,547 S * 4/2021 Tehrani D7/361
2004/0200851 A1* 10/2004 Wooderson A47J 45/062
220/759
2011/0260023 A1* 10/2011 Braun A47J 43/287
248/220.21

(21) Appl. No.: **29/725,806**
(22) Filed: **Feb. 27, 2020**
(51) **LOC (13) Cl.** **07-02**
(52) **U.S. Cl.**
USPC **D7/391; D7/354**
(58) **Field of Classification Search**
USPC D7/323, 354-363, 391, 392.1, 393-396,
D7/409, 698; D12/213; D23/207
CPC A47G 19/12; A47J 27/00; A47J 27/002;
A47J 27/08; A47J 27/21; A47J 27/58;
A47J 36/025; A47J 36/06; A47J 36/12;
A47J 37/00; A47J 37/10; A47J 37/101;
A47J 37/103; A47J 37/108; A47J 37/12;
A47J 37/1204; A47J 43/287; A47J
45/061; A47J 45/062; A47J 45/071; A47J
45/08; H05B 6/12
See application file for complete search history.

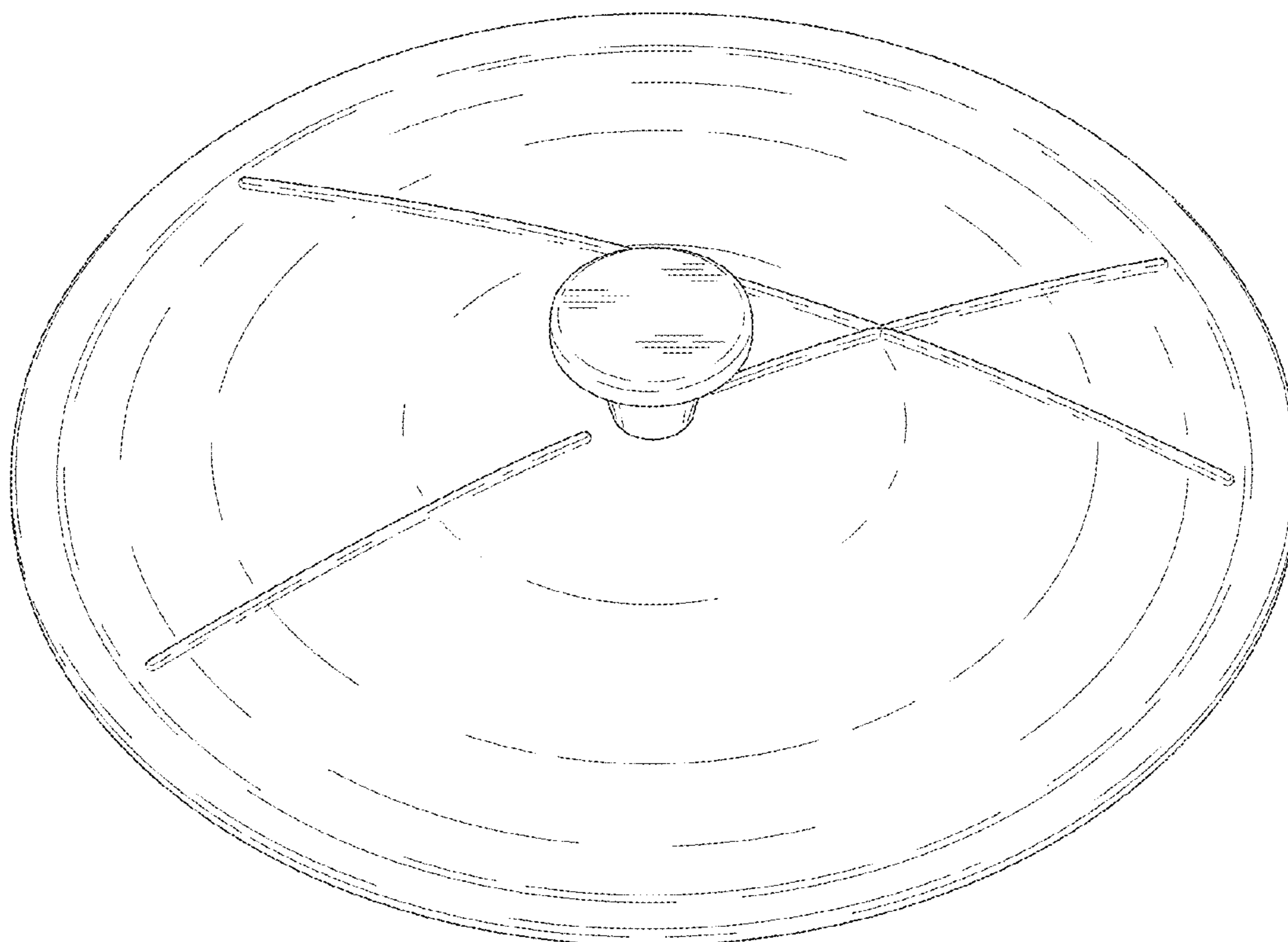
(56) **References Cited**
U.S. PATENT DOCUMENTS
D212,704 S * 11/1968 Frank Benes D7/360
D370,826 S * 6/1996 Thurlow D7/360

* cited by examiner
Primary Examiner — Ricky Pham
(74) *Attorney, Agent, or Firm* — Eric Karich; Karich & Associates

(57) **CLAIM**
The ornamental design for a dutch oven lid, as shown and described.

DESCRIPTION
FIG. 1 is a perspective view of a dutch oven lid, showing my new design;
FIG. 2 is a front elevational view thereof;
FIG. 3 is a rear elevational view thereof;
FIG. 4 is a left side elevational view thereof;
FIG. 5 is a right side elevational view thereof;
FIG. 6 is a top plan view thereof; and,
FIG. 7 is a bottom plan view thereof.

1 Claim, 4 Drawing Sheets



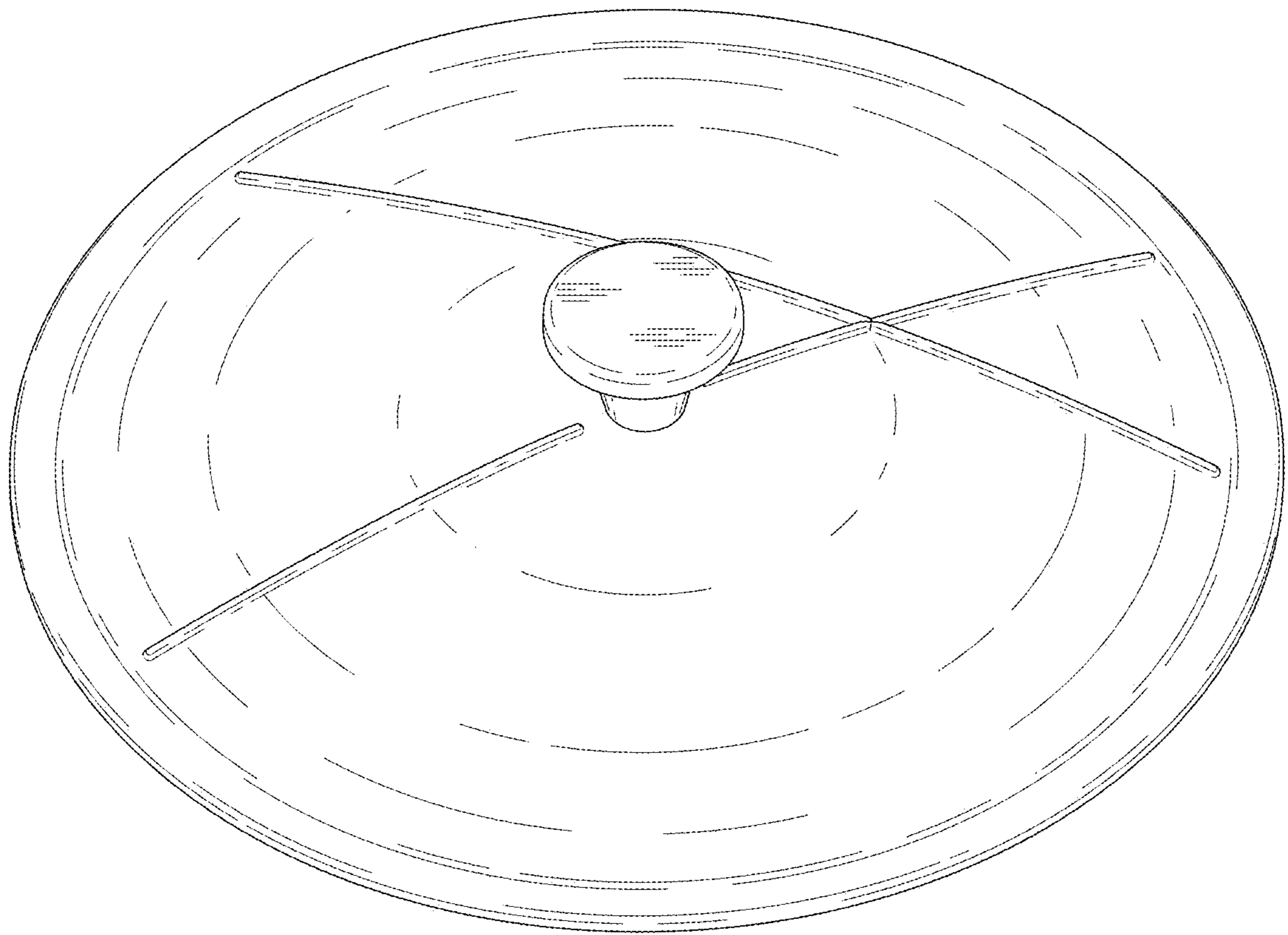


Fig. 1

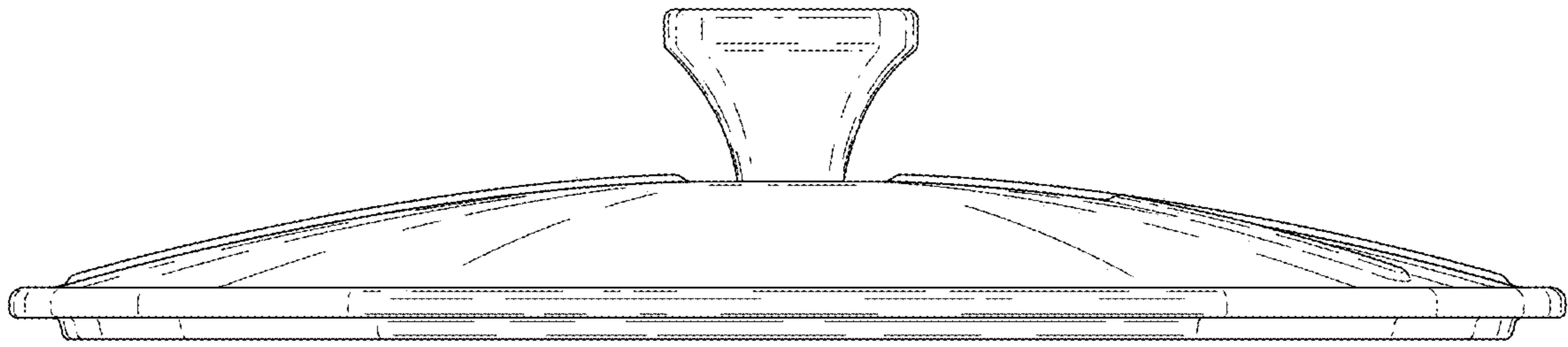


Fig. 2

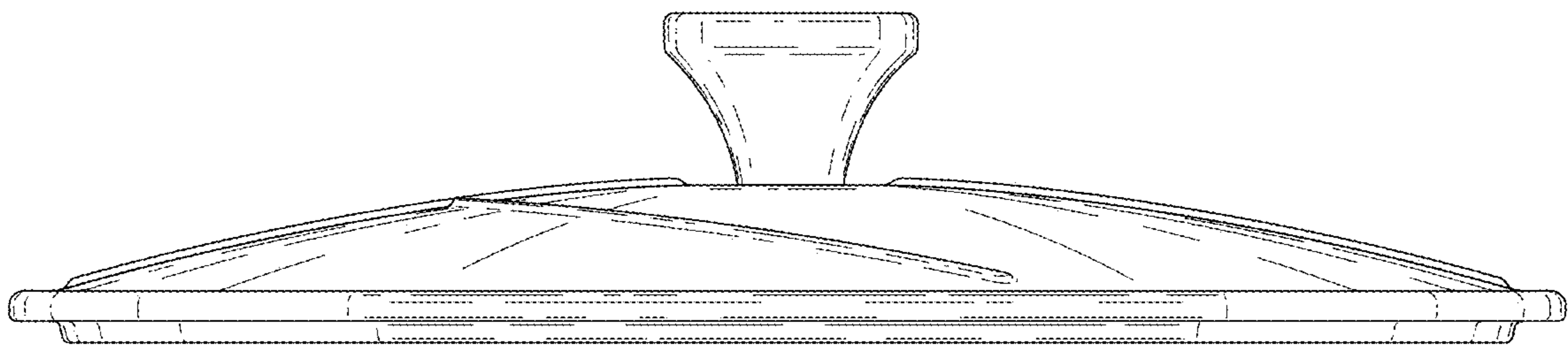


Fig. 3

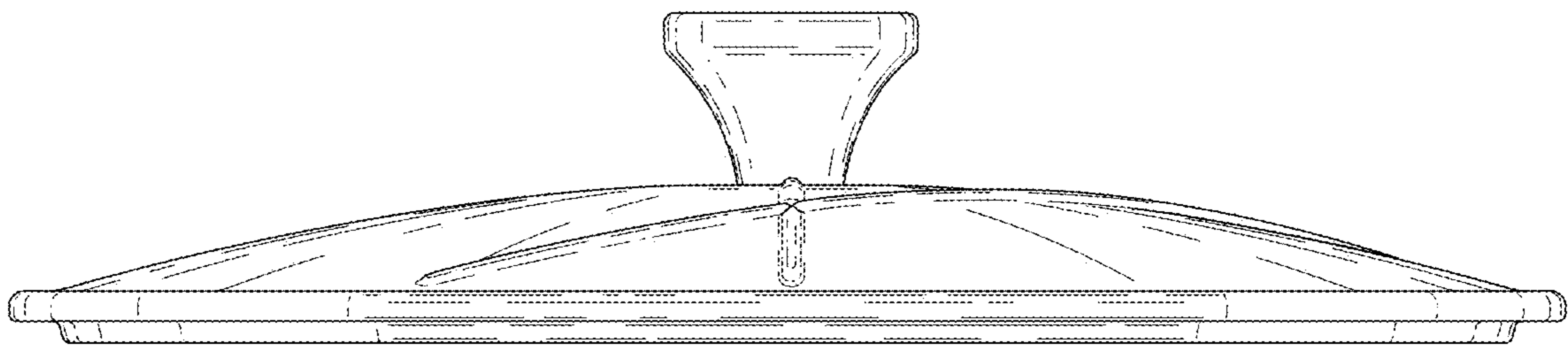


Fig. 4

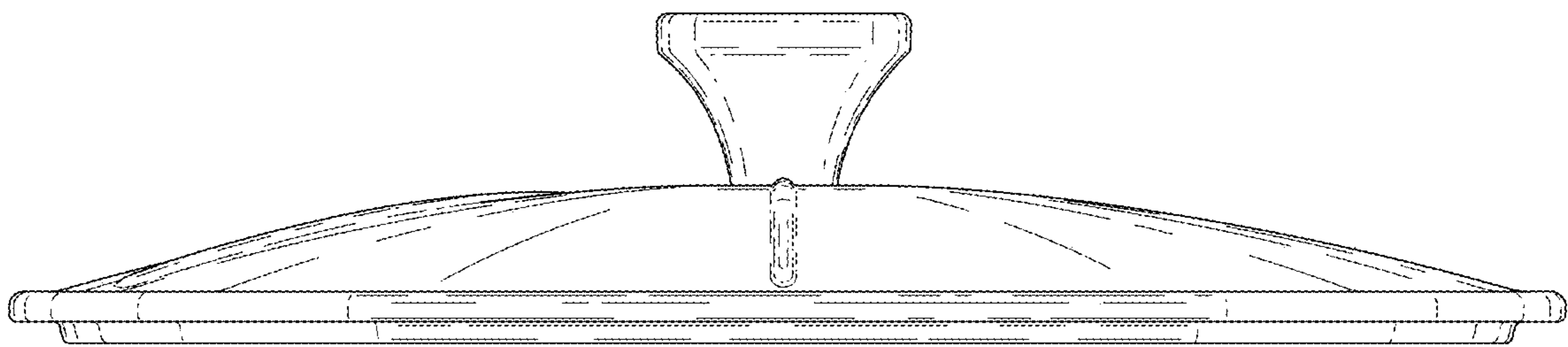


Fig. 5

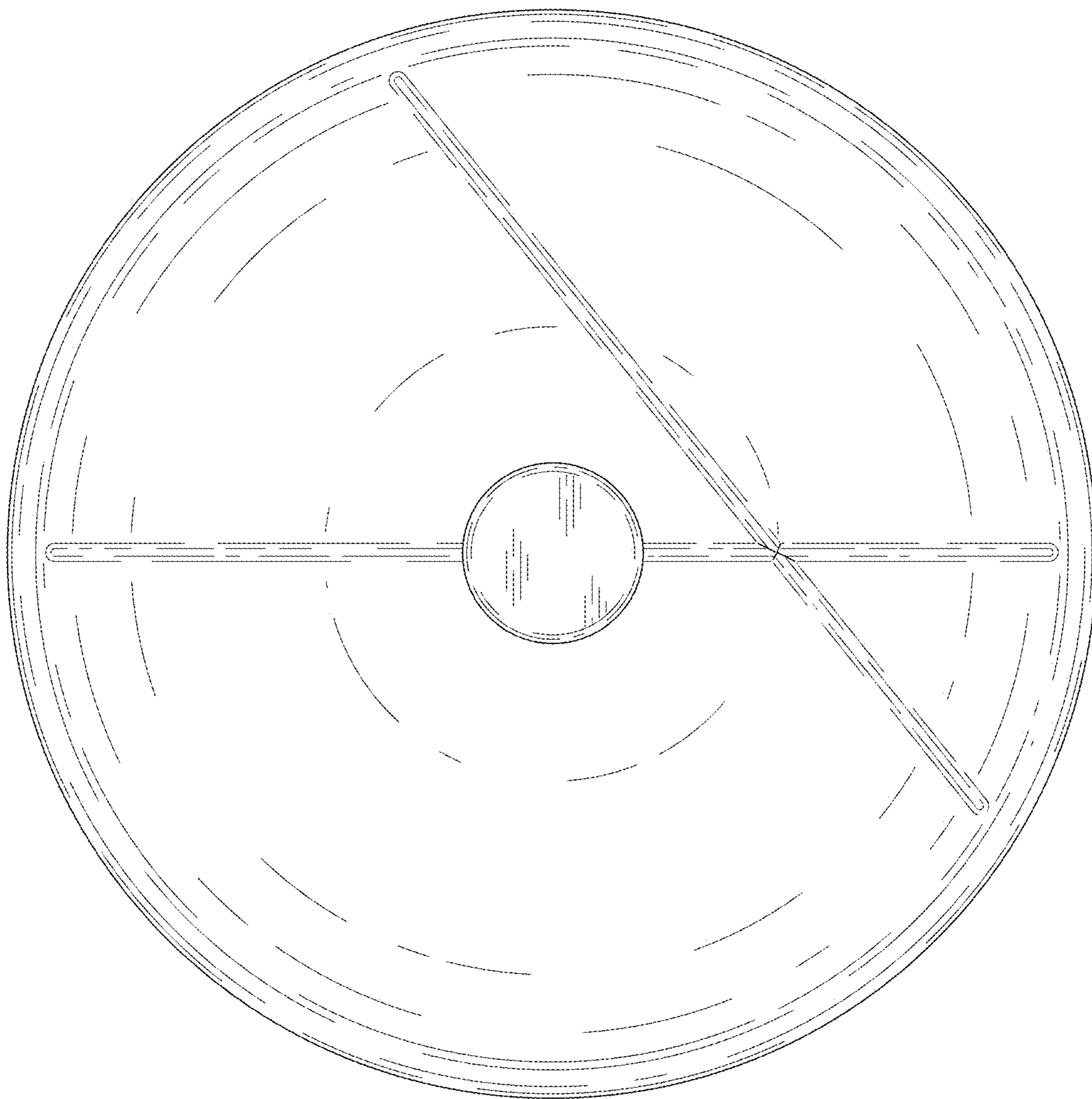


Fig. 6

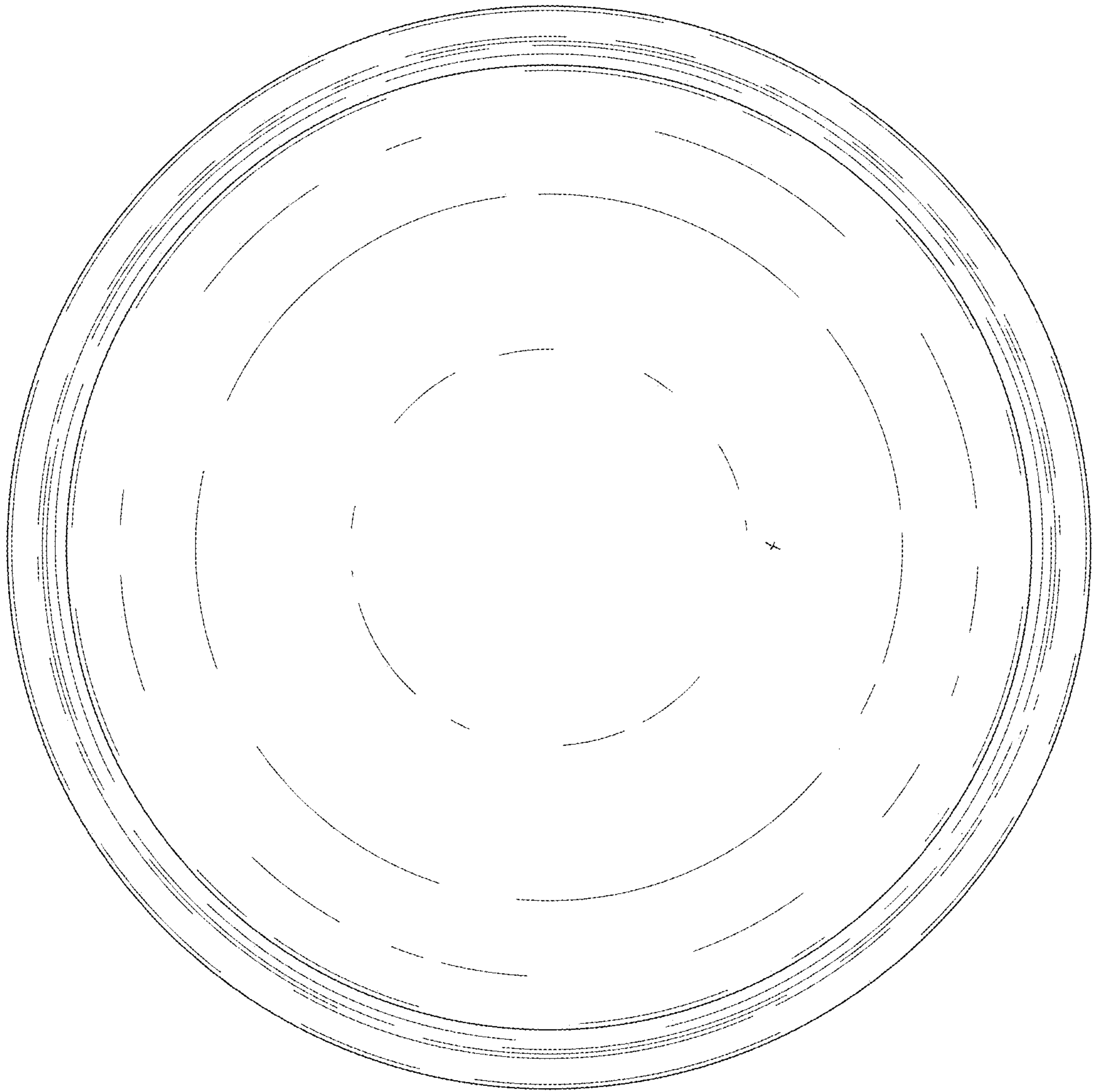


Fig. 7