



US00D924620S

(12) **United States Design Patent** (10) **Patent No.:** **US D924,620 S**
DeLeo et al. (45) **Date of Patent:** **** Jul. 13, 2021**

(54) **MIXER**

(71) Applicant: **Sunbeam Products, Inc.**, Boca Raton, FL (US)

(72) Inventors: **Anthony DeLeo**, Portage, MI (US);
Charlotte Zale, Portage, MI (US)

(73) Assignee: **Sunbeam Products, Inc.**, Boca Raton, FL (US)

(**) Term: **15 Years**

(21) Appl. No.: **29/763,554**

(22) Filed: **Dec. 23, 2020**

Related U.S. Application Data

(62) Division of application No. 29/720,704, filed on Jan. 15, 2020.

(51) **LOC (13) Cl.** **31-00**

(52) **U.S. Cl.**
USPC **D7/379; D7/376**

(58) **Field of Classification Search**

USPC D7/372, 376–386, 412–413, 602, 629,
D7/665–666, 669, 679, 693–694
CPC A21C 1/02; A21C 1/04; A23N 1/00; A23N
1/02; A47J 43/04; A47J 43/25; A47J
43/27; A47J 43/042; A47J 43/044; A47J
43/046; A47J 43/075; A47J 43/0722;
A47J 43/0727; B01F 3/00; B01F 3/0807;
B01F 3/0853; B01F 13/0059; B01F
13/0064; B02C 1/08; B02C 2/04; B02C
4/42; B02C 4/142; B02C 4/143; B02C
4/423; B02C 13/1835; B28C 5/10; B28C
5/12; B28C 5/14; B28C 5/16

See application file for complete search history.

(56) **References Cited**

U.S. PATENT DOCUMENTS

D345,888 S *	4/1994	Joss	D7/379
D367,400 S *	2/1996	Viemeister	D7/379
D400,049 S *	10/1998	Wanat	D7/379
D593,360 S *	6/2009	Lee	D7/379
D665,223 S *	8/2012	Haley	D7/379
D665,224 S *	8/2012	Benoit	D7/379
D807,109 S *	1/2018	Ho	D7/379
D892,539 S *	8/2020	McConnell	D7/379
D911,096 S *	2/2021	McConnell	D7/379

* cited by examiner

Primary Examiner — Ricky Pham

(74) *Attorney, Agent, or Firm* — Husch Blackwell LLP

(57) **CLAIM**

We claim the ornamental design for a mixer, as shown and described.

DESCRIPTION

FIG. 1 is a perspective view of a mixer;
FIG. 2 is a left side elevation view of the mixer;
FIG. 3 is a rear elevation view of the mixer;
FIG. 4 is a right side elevation view of the mixer;
FIG. 5 is a front elevation view of the mixer;
FIG. 6 is a top plan view of the mixer, and,
FIG. 7 is a bottom plan view of the mixer.
Broken lines shown in the drawing views are included for illustrative purposes only, and form no part of the claimed design.

1 Claim, 6 Drawing Sheets

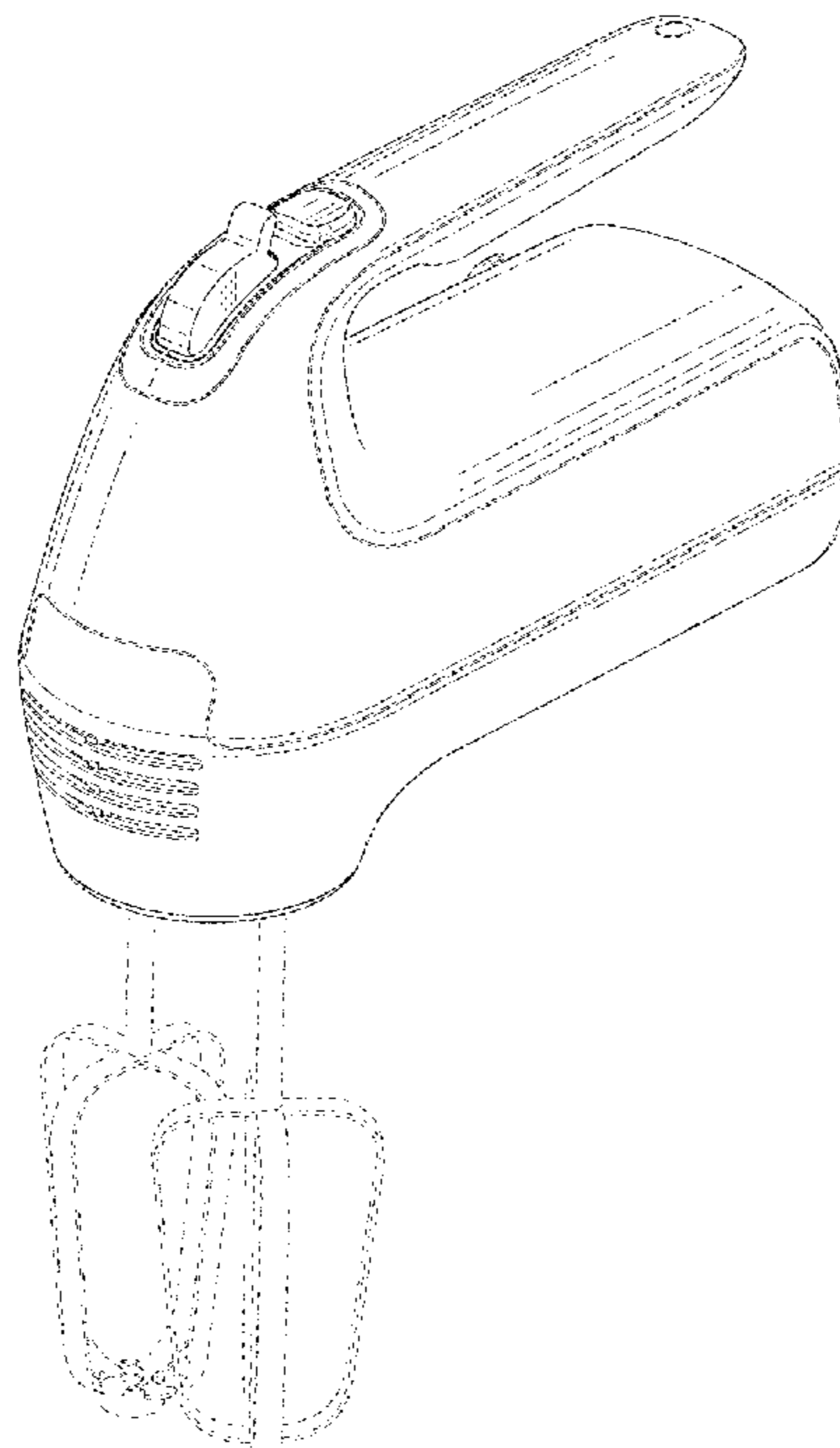


FIG. 1

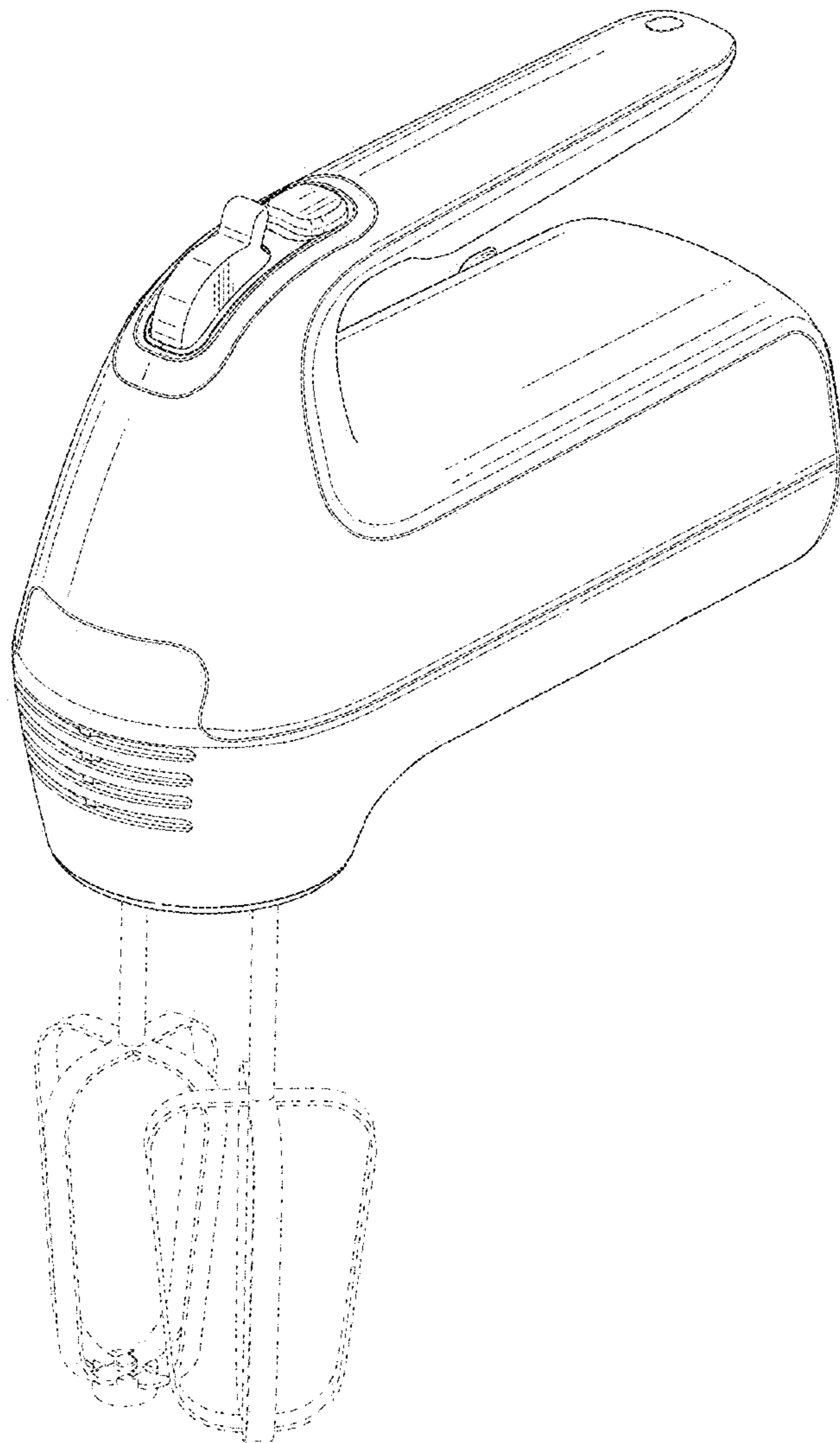


FIG. 2

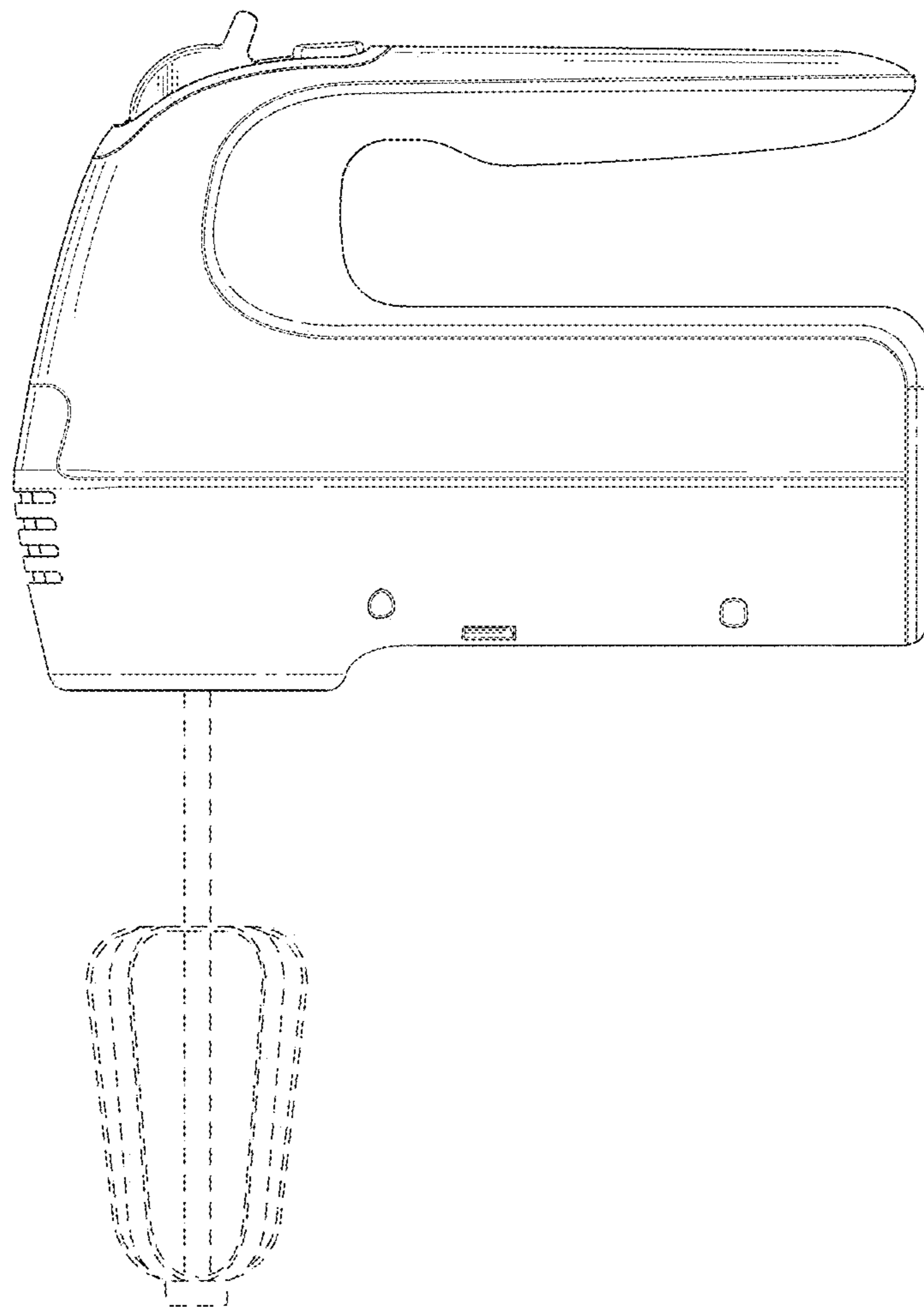


FIG. 3

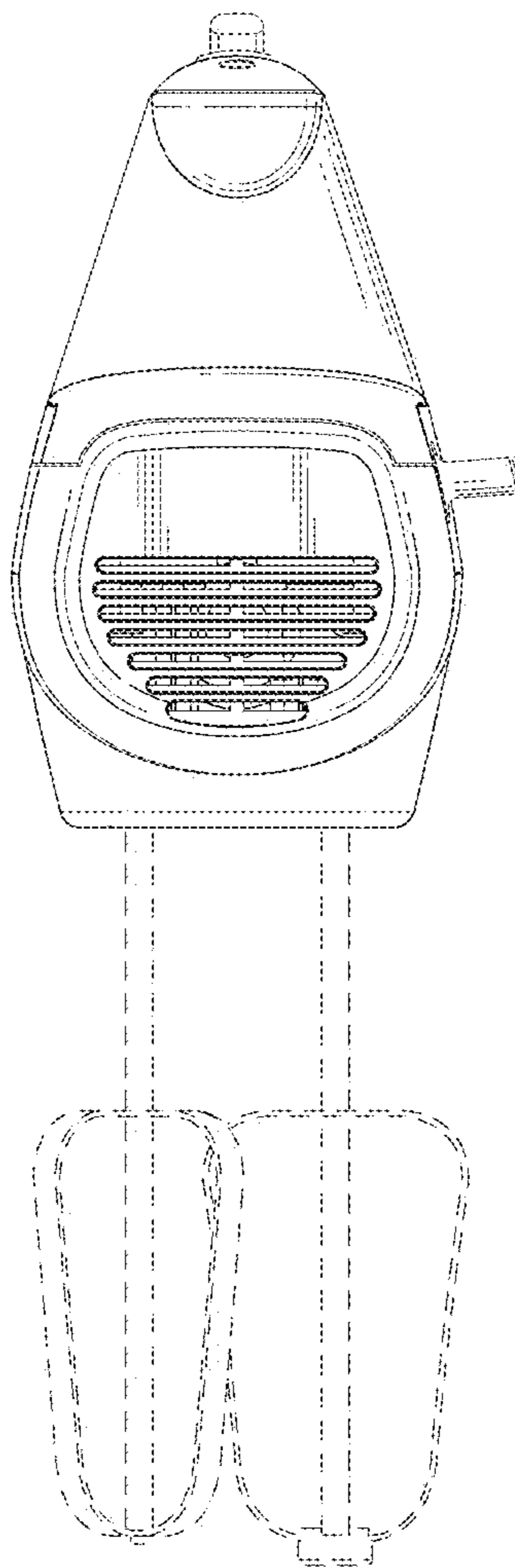


FIG. 4

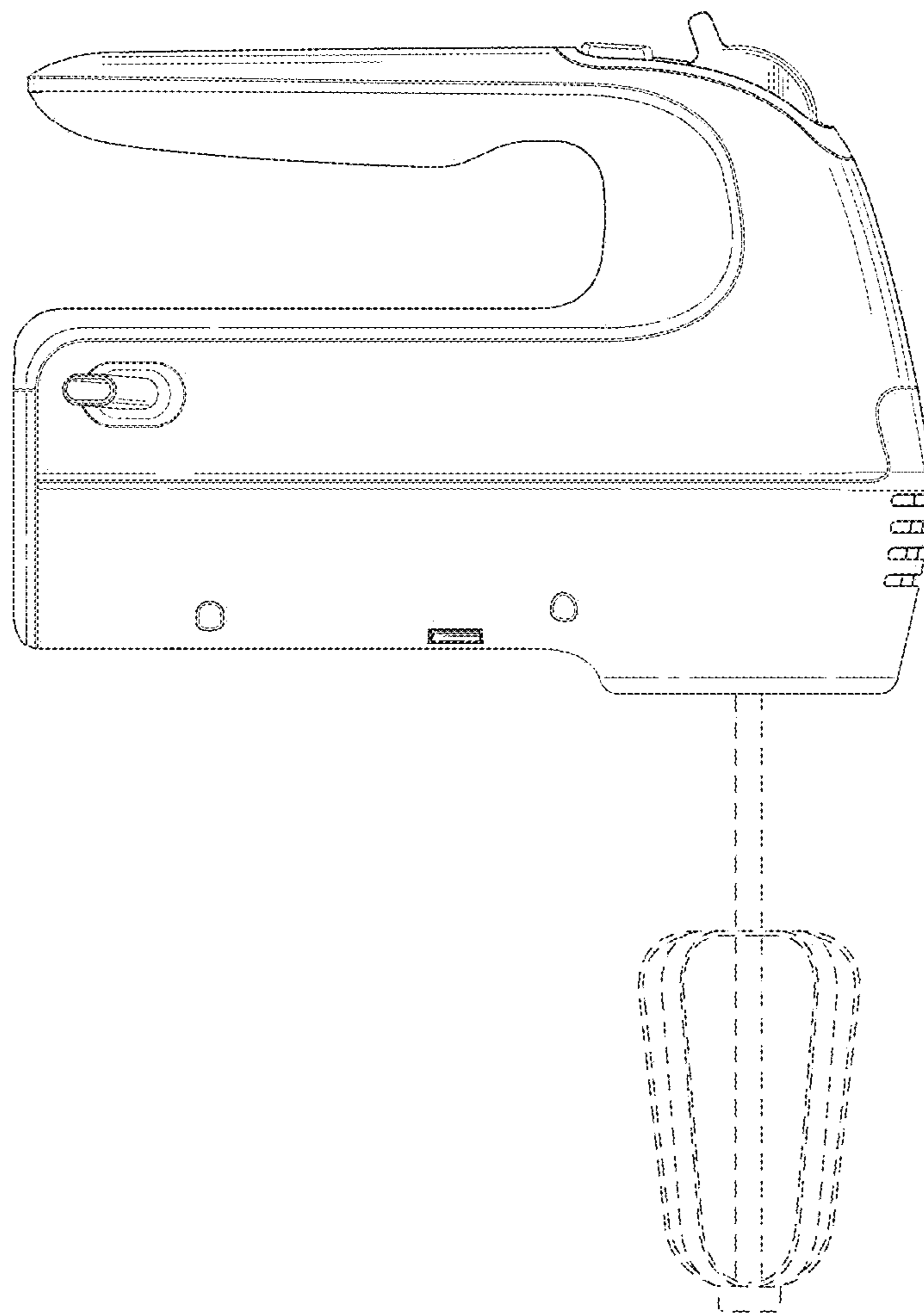


FIG. 5

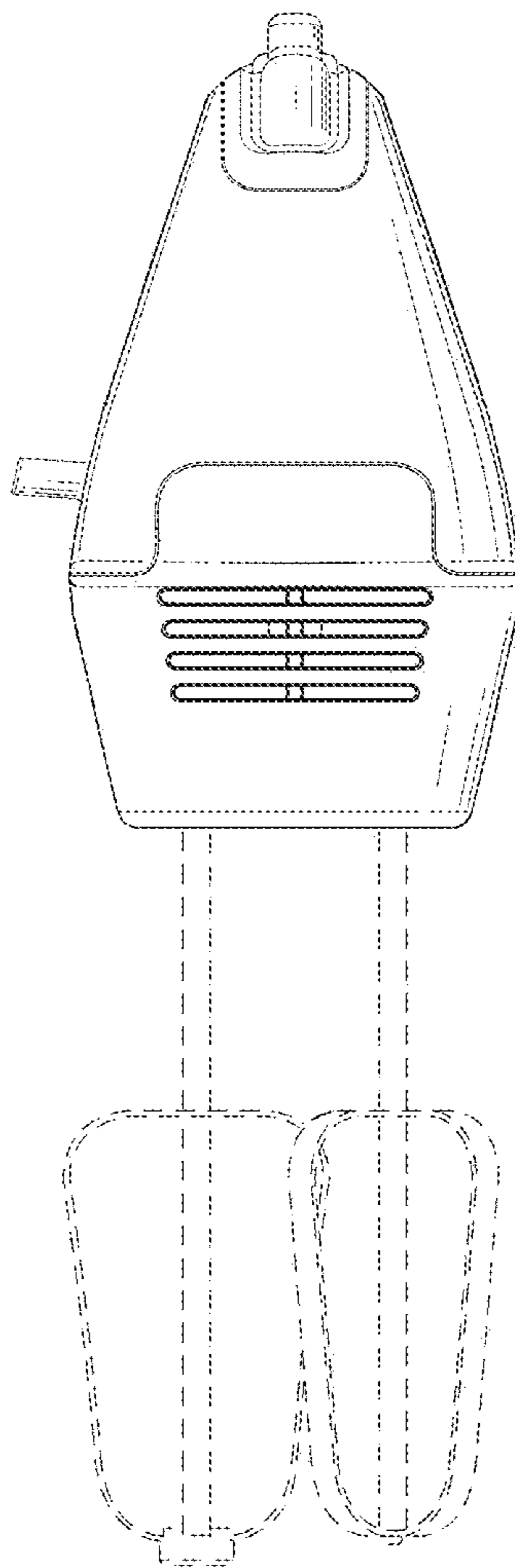


FIG. 6

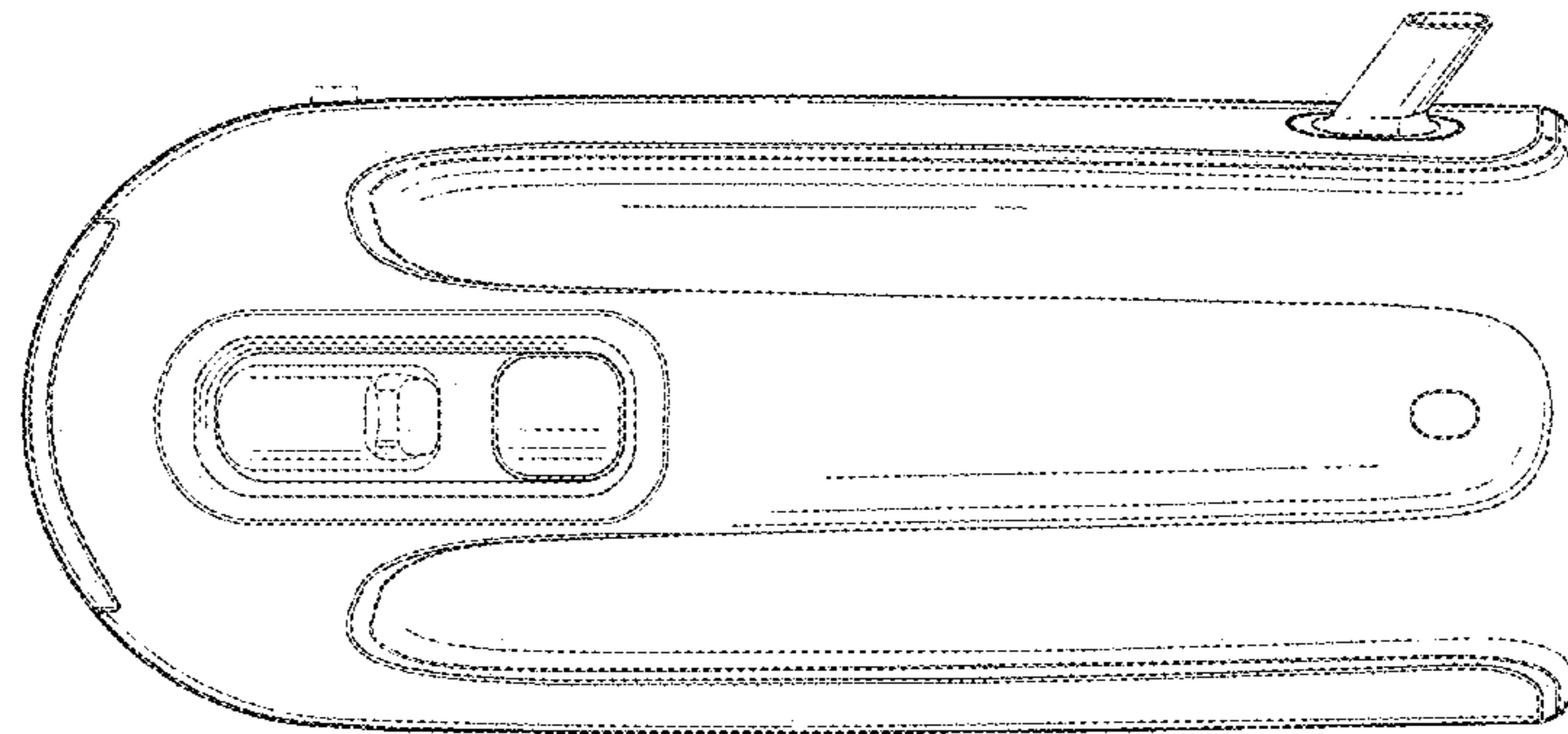


FIG. 7

