



US00D924619S

(12) **United States Design Patent**
Chen

(10) **Patent No.:** **US D924,619 S**

(45) **Date of Patent:** **** Jul. 13, 2021**

(54) **MILK FROTHER**

(71) Applicant: **Sheng Chen**, Ningbo (CN)

(72) Inventor: **Sheng Chen**, Ningbo (CN)

(**) Term: **15 Years**

(21) Appl. No.: **29/745,913**

(22) Filed: **Aug. 10, 2020**

(51) **LOC (13) Cl.** **31-00**

(52) **U.S. Cl.**
USPC **D7/379; D7/376; D7/380**

(58) **Field of Classification Search**
USPC D7/372-373, 376-386, 412-413, 602,
D7/629, 665-666, 669, 679, 693-694
CPC A21C 1/02; A21C 1/04; A23N 1/00; A23N
1/02; A47J 42/08; A47J 43/04; A47J
43/25; A47J 43/27; A47J 43/042; A47J
43/044; A47J 43/046; A47J 43/075; A47J
43/0722; A47J 43/0727; A47J 43/1093;
B01F 3/00; B01F 3/0807; B01F 3/0853;
B01F 13/0059; B01F 13/0064; B02C
1/08; B02C 2/04; B02C 4/42; B02C
4/142; B02C 4/143; B02C 4/423; B02C
13/1835; B28C 5/10; B28C 5/12; B28C
5/14; B28C 5/16

See application file for complete search history.

(56) **References Cited**

U.S. PATENT DOCUMENTS

1,072,251 A * 9/1913 Parham A47J 43/1093
416/70 R
D277,924 S * 3/1985 Kafka D7/412

D390,415 S * 2/1998 Hippen D7/412
D394,367 S * 5/1998 Littmann D7/376
D655,568 S 3/2012 Chapman
D798,652 S * 10/2017 Muller D7/380
D856,746 S * 8/2019 Du D7/380
D867,052 S 11/2019 Du
D884,413 S * 5/2020 Zhu D7/380
D911,095 S * 2/2021 Koszylko D7/379

OTHER PUBLICATIONS

Elementi Milk Frother Handheld Electric Matcha Whisk. Date First Available on Amazon.com Oct. 6, 2016 <https://www.amazon.com/Milk-Frother-Stand-Black-Cappuccinos/dp/B01IYDNTAW/> (Year: 2016).*

* cited by examiner

Primary Examiner — Ricky Pham

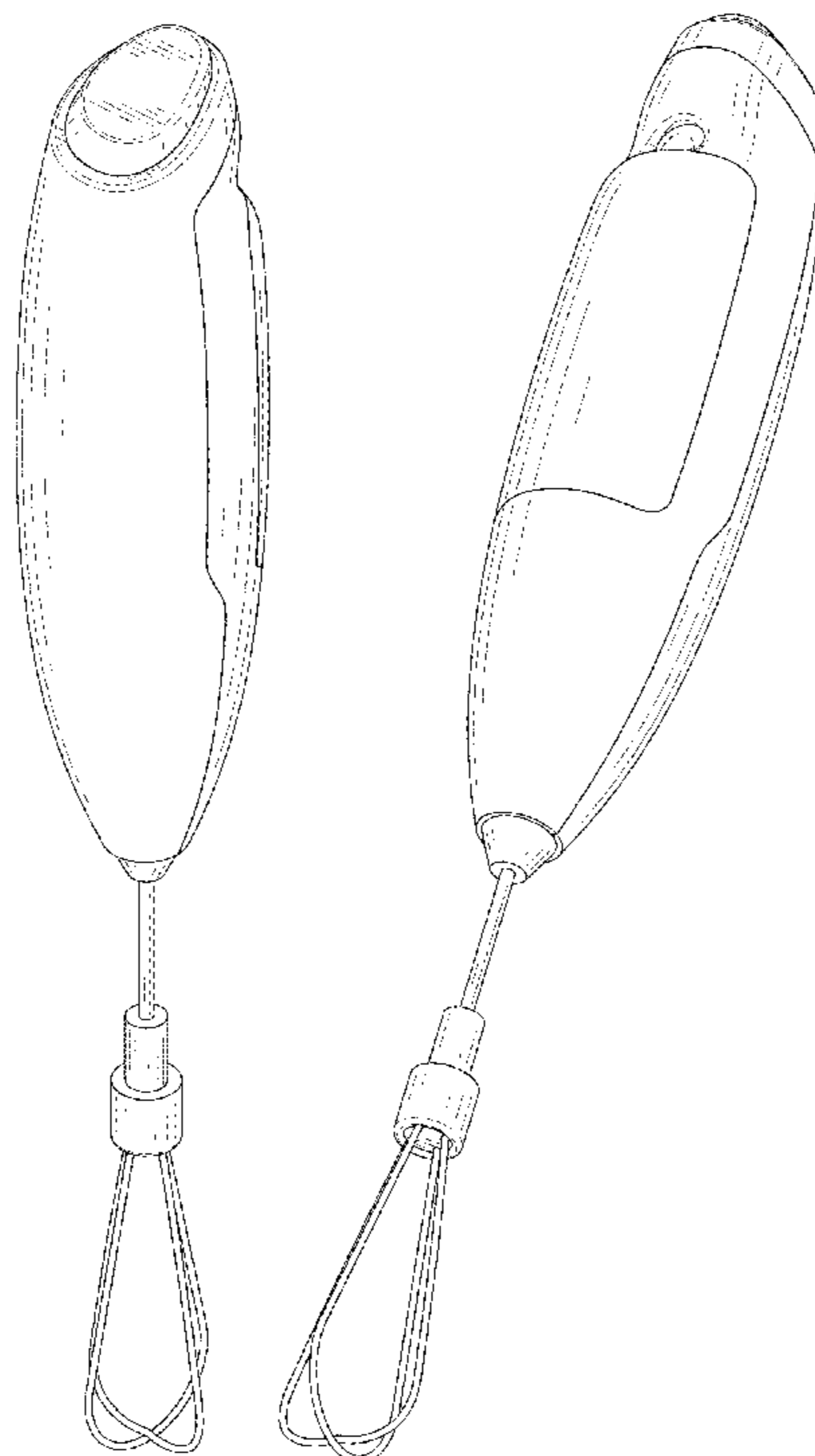
(57) **CLAIM**

The ornamental design for a milk frother, as shown and described.

DESCRIPTION

FIG. 1 is a perspective view of a milk frother showing my new design;
FIG. 2 is another perspective view thereof;
FIG. 3 is a front elevational view thereof;
FIG. 4 is a rear elevational view thereof;
FIG. 5 is a left side elevational view thereof;
FIG. 6 is a right side elevational view thereof;
FIG. 7 is a top plan view thereof; and,
FIG. 8 is a bottom plan view thereof.
The broken lines in the drawings depict portions of the milk frother that form no part of the claimed design.

1 Claim, 8 Drawing Sheets



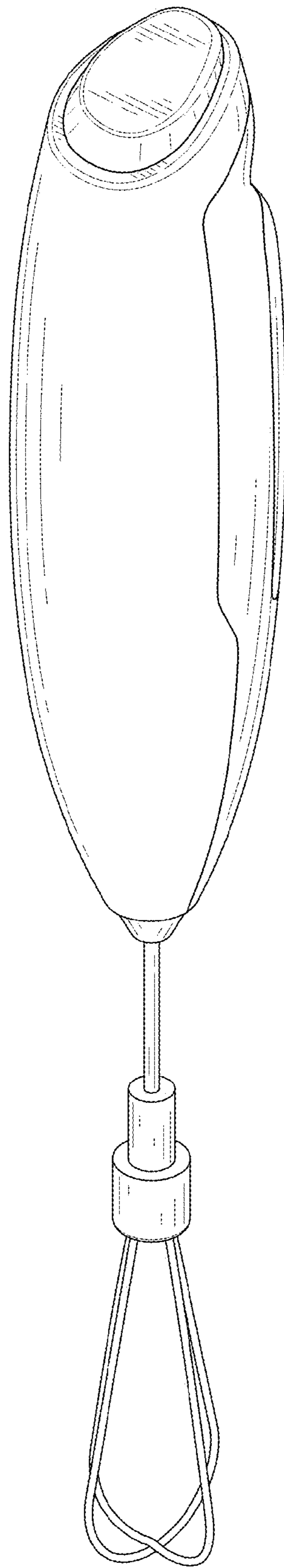


FIG. 1

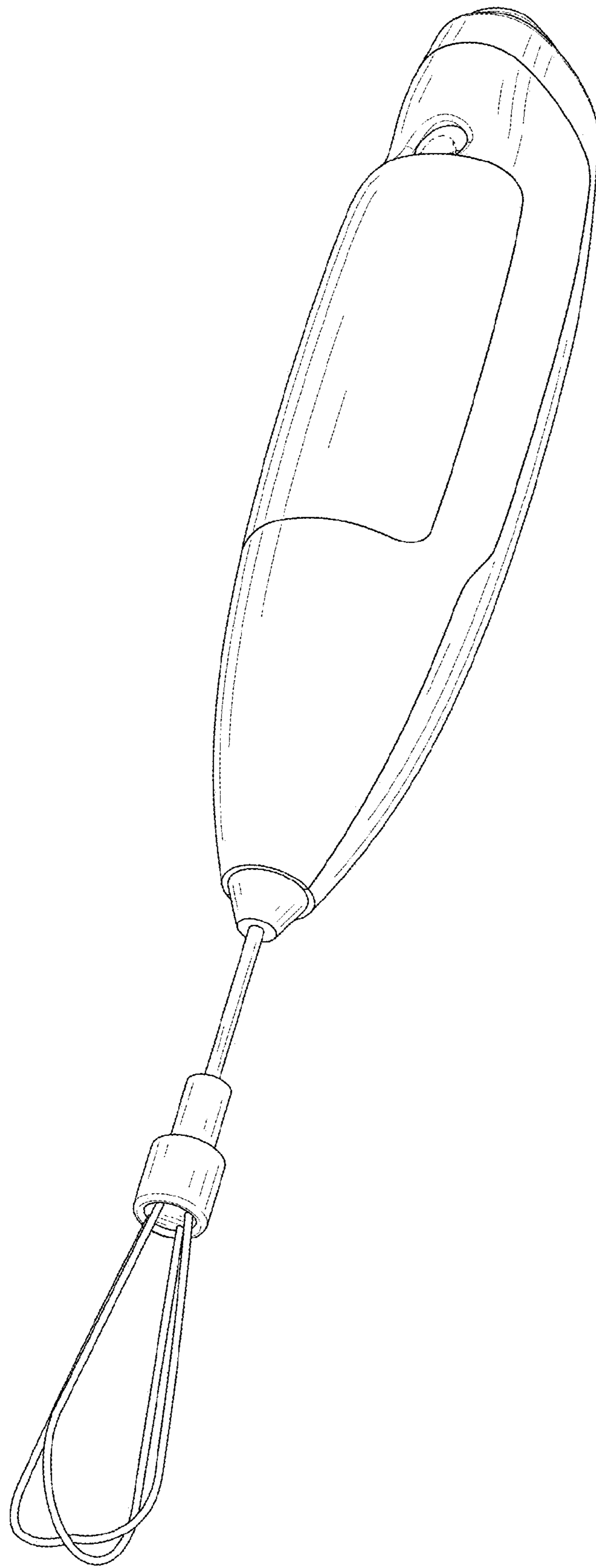


FIG. 2

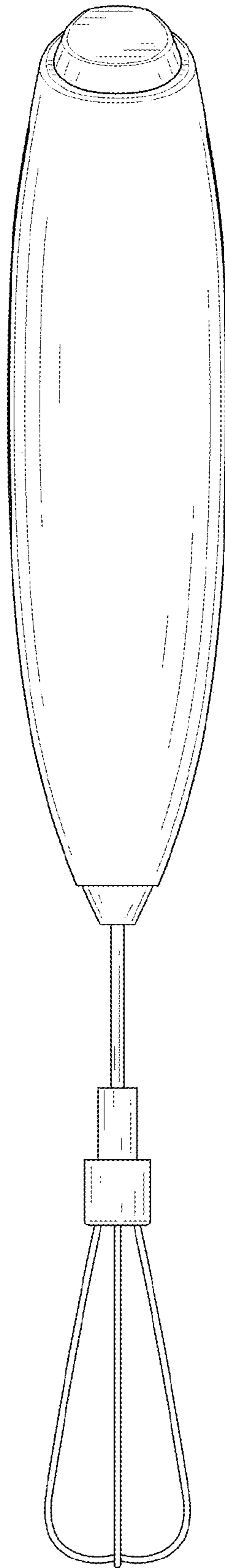


FIG. 3

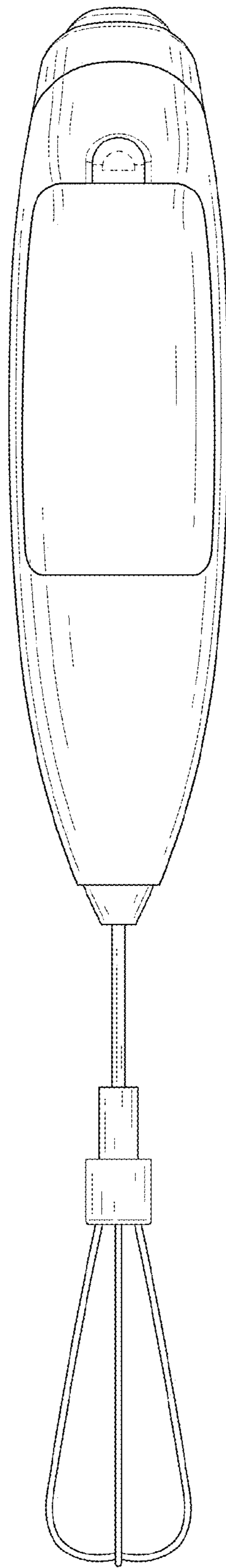


FIG. 4

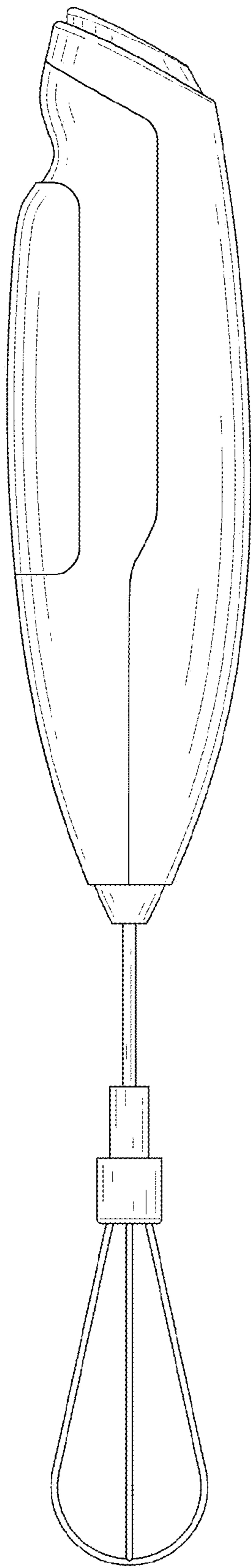


FIG. 5

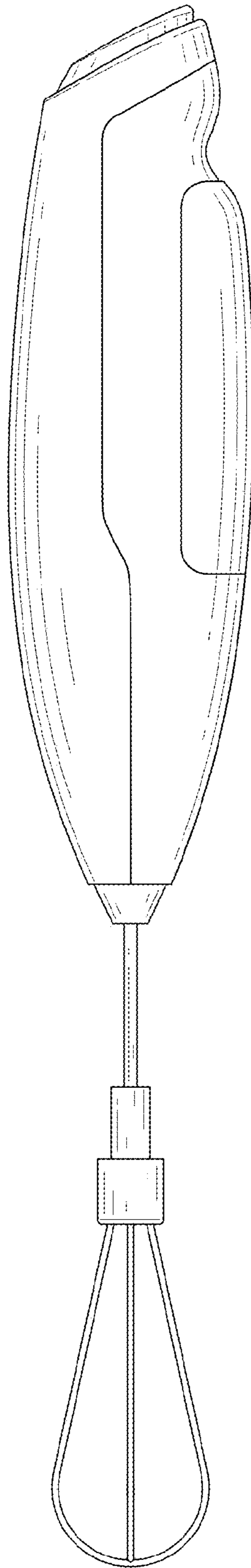


FIG. 6

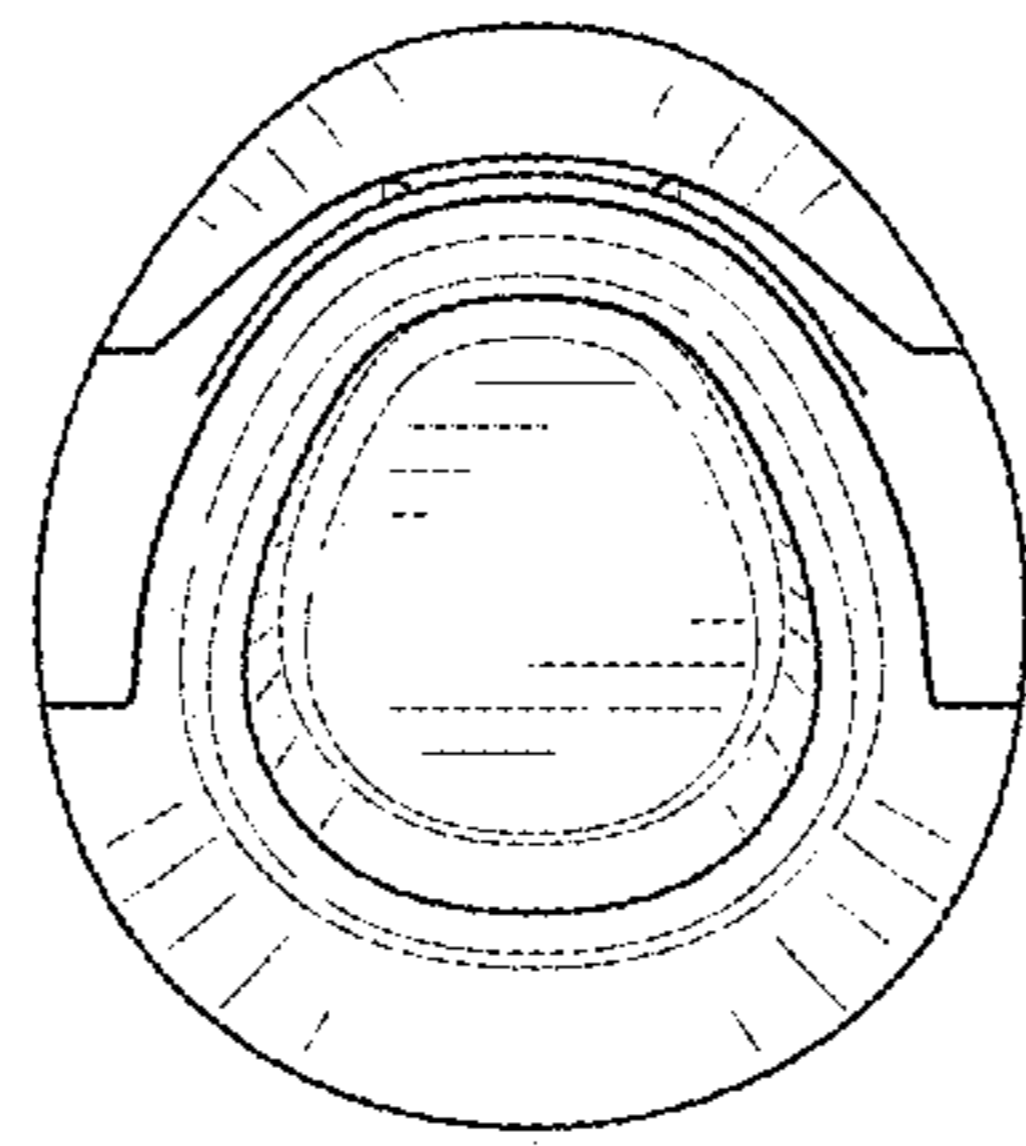


FIG. 7

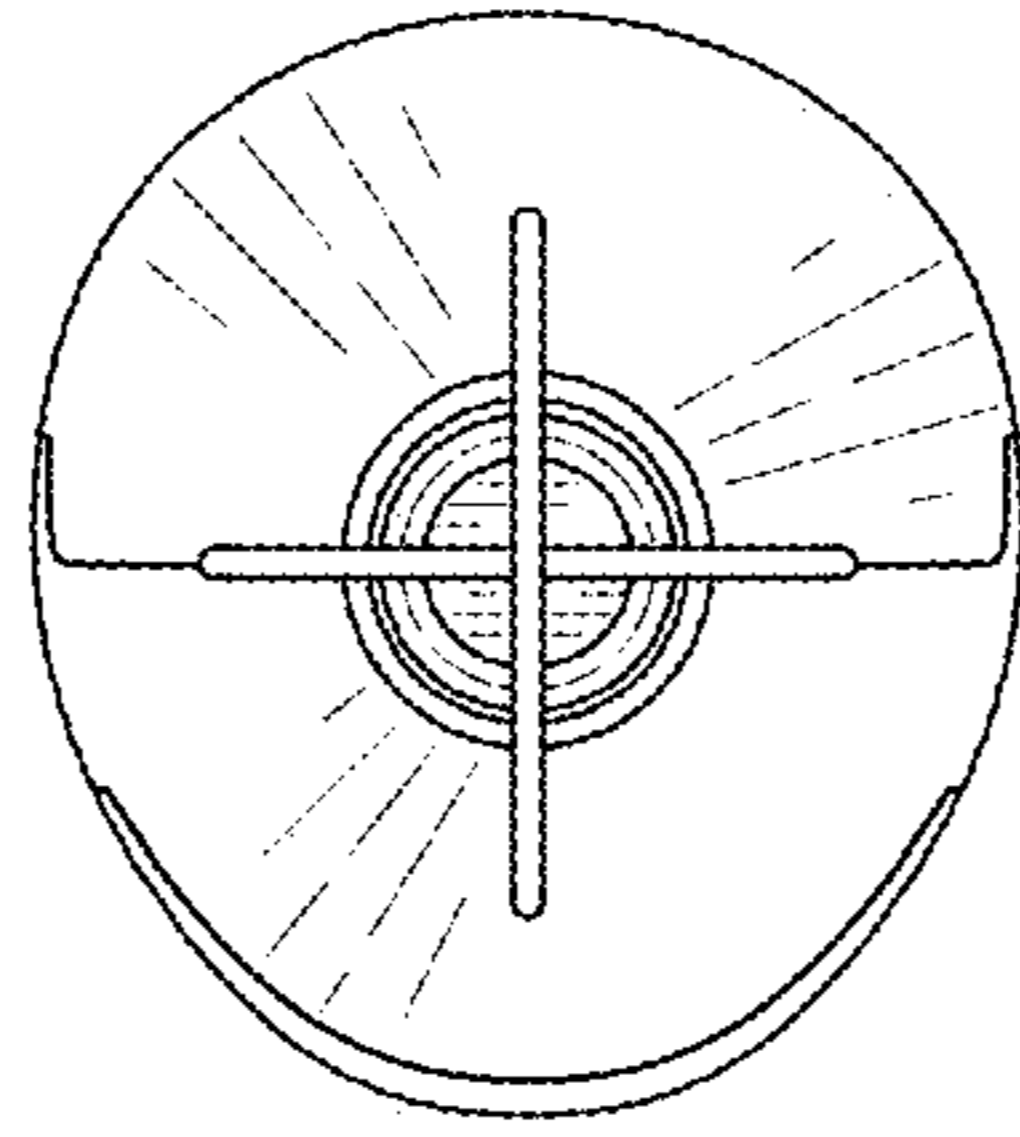


FIG. 8